



US00D909386S

(12) **United States Design Patent**
Turksu et al.

(10) **Patent No.:** **US D909,386 S**
(45) **Date of Patent:** **** Feb. 2, 2021**

- (54) **ADAPTER FOR A COMPUTER**
- (71) Applicant: **SARIANA, LLC**, San Diego, CA (US)
- (72) Inventors: **Alan Turksu**, San Diego, CA (US);
Mustafa Burak Guclu, San Diego, CA (US)
- (73) Assignee: **SARIANA, LLC**, San Diego, CA (US)
- (**) Term: **15 Years**

- 2,987,585 A 6/1961 Abysalh
- 3,224,644 A 12/1965 William
- D223,304 S 4/1972 Doggart
- D223,924 S 6/1972 Andelson
- 3,693,923 A 9/1972 Ayoub et al.
- 3,695,568 A 10/1972 Hogrebe
- D227,117 S 6/1973 Breger
- D230,014 S 1/1974 Edgell
- 4,060,697 A 11/1977 Neal
- D254,594 S 4/1980 Picard

(Continued)

- (21) Appl. No.: **29/697,477**
- (22) Filed: **Jul. 9, 2019**
- (51) **LOC (13) Cl.** **14-99**
- (52) **U.S. Cl.**
USPC **D14/433**
- (58) **Field of Classification Search**
USPC D14/433, 434, 435.1, 480.1-480.7, 436,
D14/484.1, 155, 203.1-203.8, 240, 242,
D14/133, 154; D13/107, 108
CPC G06F 13/122; G06F 13/382; G06F 13/385;
G06F 13/4022; G06F 13/4282; G06F
1/1632; G06F 1/1684; H01R 25/006;
H05K 5/0278; G06K 19/07732
See application file for complete search history.

OTHER PUBLICATIONS

“Satechi USB-C Multport Pro Adapter,” YouTube online, post date Jul. 19, 2019, URL: <https://www.youtube.com/watch?v=sfrxFoTUYo4>, retrieved Sep. 24, 2020.*

(Continued)

Primary Examiner — Angela J Lee
Assistant Examiner — Rebekah A Caruso
(74) *Attorney, Agent, or Firm* — Wagenknecht IP Law Group, PC

(57) **CLAIM**

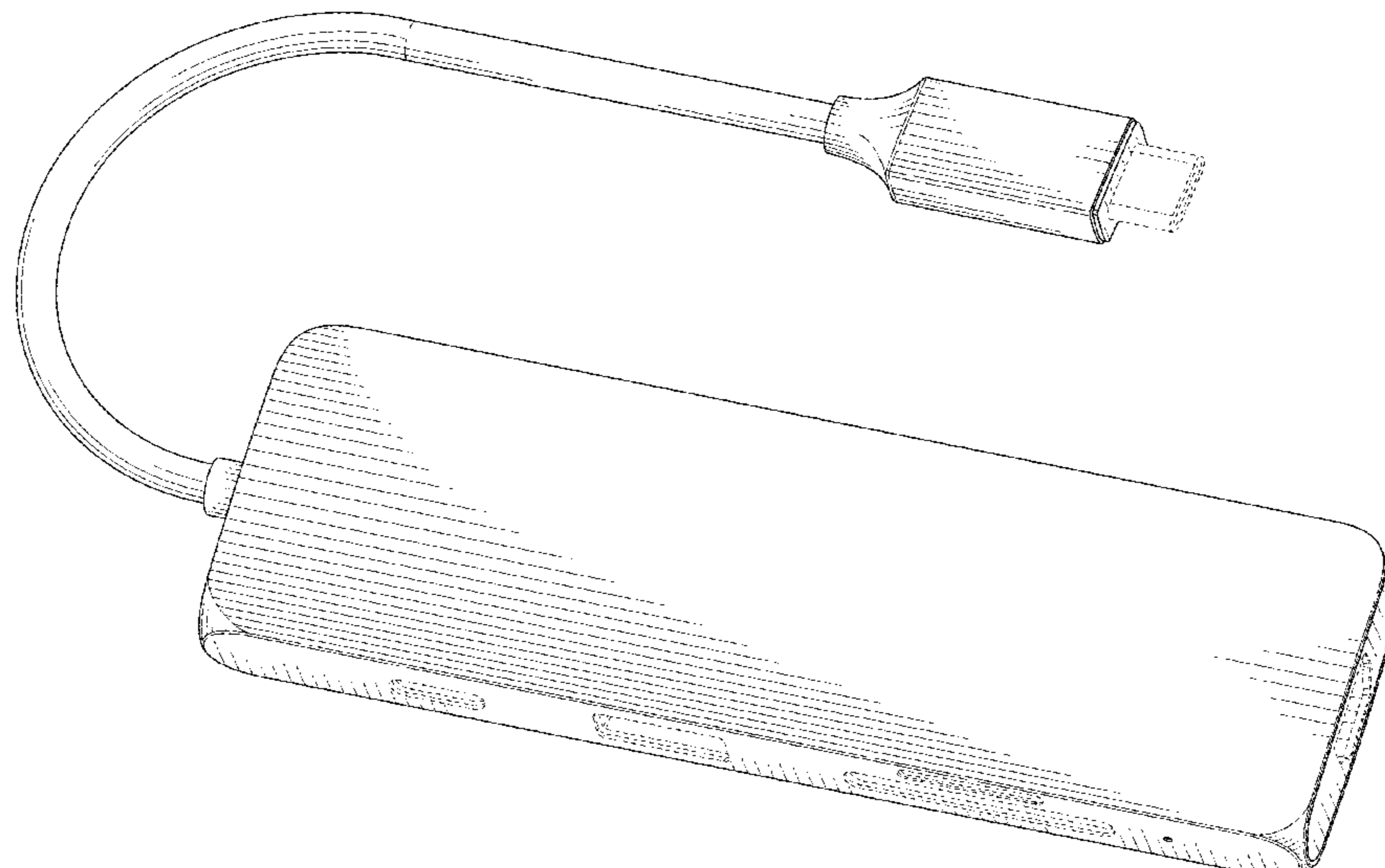
The ornamental design for an adapter for a computer, as shown and described.

DESCRIPTION

FIG. 1 is a top, front, and left perspective view of an adapter for a computer showing our new design;
FIG. 2 is a top plan view thereof;
FIG. 3 is a bottom plan view thereof;
FIG. 4 is a rear elevational view thereof;
FIG. 5 is a front elevational view thereof;
FIG. 6 is a left elevational view thereof;
FIG. 7 is a right elevational view thereof; and,
FIG. 8 is a top, rear and right perspective view thereof.
The broken lines in the drawings represent portions of the article that form no part of the claimed design.

- (56) **References Cited**
U.S. PATENT DOCUMENTS
- 1,165,840 A 12/1915 Brutus
- 1,359,347 A 11/1920 Fleisher
- 1,475,605 A 11/1923 Smith
- 1,550,588 A 8/1925 Soldani
- 1,646,562 A 10/1927 Snow
- 1,671,862 A 5/1928 Heinz
- D137,618 S 4/1944 Hermann
- D147,151 S 7/1947 Schinske
- 2,436,292 A 2/1948 De Mott
- 2,629,023 A 2/1953 La Fitte
- D182,462 S 4/1958 Gallion
- 2,878,324 A 3/1959 Guerrero

1 Claim, 6 Drawing Sheets



(56)

References Cited

U.S. PATENT DOCUMENTS

D258,577 S	3/1981	Bottner	D577,008 S	9/2008	Andre et al.
D273,840 S	5/1984	Morita	D580,436 S	11/2008	Kiyomiya et al.
D277,418 S	1/1985	Hemrich, Jr. et al.	D580,438 S	11/2008	Kuchler
4,527,018 A	7/1985	Offredi	D580,932 S	11/2008	Tzou et al.
D285,772 S	9/1986	Oliver	D585,060 S	1/2009	Han
D286,636 S	11/1986	Cooke et al.	D585,543 S	1/2009	Yodfat et al.
D294,231 S	2/1988	Cameron, Jr. et al.	D587,706 S	3/2009	Maiers et al.
4,856,746 A	8/1989	Wrobel et al.	7,499,271 B2	3/2009	Wagatsuma et al.
D308,870 S	6/1990	Rioux, Jr.	D591,270 S	4/2009	Jakobson et al.
D320,992 S	9/1991	Jondelius	D592,632 S	5/2009	Lee
5,095,382 A	3/1992	Abe	D593,103 S	5/2009	Richter
D325,578 S	4/1992	Daido et al.	D593,998 S	6/2009	Bentley et al.
D329,370 S	9/1992	Manning	D595,697 S	7/2009	Mao et al.
5,144,290 A	9/1992	Honda et al.	D599,331 S	9/2009	Bentley et al.
5,367,570 A	11/1994	Figueroa	D600,925 S	9/2009	Guffey et al.
D353,532 S	12/1994	Miller	D601,490 S	10/2009	Zhu et al.
D355,913 S	2/1995	Chong	D601,564 S	10/2009	Maeno
D357,016 S	4/1995	Li et al.	D601,583 S	10/2009	Andre et al.
D357,248 S	4/1995	Cheng	D602,008 S	10/2009	Bentley et al.
D361,987 S	9/1995	Yamazaki	D602,891 S	10/2009	Luo
D362,244 S	9/1995	Takemasa	D602,911 S	10/2009	Wang et al.
D369,149 S	4/1996	Chang et al.	D602,917 S	10/2009	Bentley
D371,793 S	7/1996	Patton	D602,940 S	10/2009	McLean
D387,784 S	12/1997	Nakamura	D604,725 S	11/2009	Chen
D395,280 S	6/1998	Phelps	D606,549 S	12/2009	He
5,814,968 A	9/1998	Lovegreen et al.	D610,156 S	2/2010	Mudrick
D400,429 S	11/1998	Morita	D612,868 S	3/2010	Morabito
D405,064 S	2/1999	Iino	D627,306 S	11/2010	Charleux
D407,985 S	4/1999	Pimentel	7,841,876 B2	11/2010	Lin et al.
D412,160 S	7/1999	Nelson	D631,051 S	1/2011	DeFronzo
D413,574 S	9/1999	Goto	D633,503 S	3/2011	Bo et al.
D426,491 S	6/2000	Chan	D635,978 S	4/2011	Chen
D430,882 S	9/2000	Tsai	D641,753 S	7/2011	Obata
D432,496 S	10/2000	Collins	D642,585 S	8/2011	Lan et al.
D433,005 S	10/2000	McGugan	D645,027 S	9/2011	Gougherty et al.
D435,835 S	1/2001	Steck	D646,682 S	10/2011	Lim et al.
D438,451 S	3/2001	Reiter	D646,683 S	10/2011	Tao et al.
D441,639 S	5/2001	Reiter	D648,270 S	11/2011	Jiang
D446,209 S	8/2001	Hickford et al.	D650,377 S	12/2011	Akana et al.
6,321,340 B1	11/2001	Shin et al.	D657,305 S	4/2012	Nomi et al.
D461,400 S	8/2002	Aoki	D658,640 S	5/2012	Ivaskevicius
D461,794 S	8/2002	Polito et al.	D659,087 S	5/2012	Nomi et al.
D464,482 S	10/2002	Shiu	D659,094 S	5/2012	Brand et al.
D464,562 S	10/2002	Reiter	D659,638 S	5/2012	Wang
D464,972 S	10/2002	Carrasco, Jr.	D660,834 S	5/2012	Akana et al.
D478,086 S	8/2003	Chuang	D661,249 S	6/2012	Smith et al.
D478,087 S	8/2003	Aldridge	D662,089 S	6/2012	Gougherty et al.
D479,709 S	9/2003	Cocks et al.	D663,300 S	7/2012	Kim et al.
6,612,534 B2	9/2003	Hennessey	D664,146 S	7/2012	Hoehn et al.
D482,674 S	11/2003	Rath et al.	D665,734 S	8/2012	Fitch et al.
D484,128 S	12/2003	Chung	D669,473 S	10/2012	Gronau et al.
D492,307 S	6/2004	Aqqad et al.	D669,888 S	10/2012	Gougherty et al.
D496,029 S	9/2004	Skulley et al.	D670,291 S	11/2012	Dalton
D508,899 S	8/2005	Suzuki	D670,297 S	11/2012	Huang
D511,985 S	11/2005	Kelly, Jr.	D671,096 S	11/2012	Song et al.
D512,417 S	12/2005	Hirakawa et al.	D671,528 S	11/2012	Fathollahi
D515,040 S	2/2006	Jones et al.	D677,259 S	3/2013	van der Lande
D518,030 S	3/2006	Lin	D678,286 S	3/2013	Cheng
D522,531 S	6/2006	Solomon et al.	D683,251 S	5/2013	Dumas et al.
D526,973 S	8/2006	Gates et al.	D683,703 S	6/2013	Akana et al.
D530,525 S	10/2006	Greene, II	D684,145 S	6/2013	Rath
D531,190 S	10/2006	Lee et al.	D684,976 S	6/2013	Akana et al.
D531,619 S	11/2006	Chau	D685,806 S	7/2013	Kim et al.
D544,463 S	6/2007	Harris	D686,201 S	7/2013	Lee
D550,196 S	9/2007	Griffin et al.	D687,009 S	7/2013	Song et al.
D553,106 S	10/2007	Griffin	D688,198 S	8/2013	Takeshita et al.
D554,115 S	10/2007	Liu et al.	D688,248 S	8/2013	Tsuda et al.
D559,848 S	1/2008	Siu	D688,255 S	8/2013	Daniel
D559,849 S	1/2008	Siu	8,512,079 B2	8/2013	Vroom et al.
D559,850 S	1/2008	Lye	D689,858 S	9/2013	Lo et al.
D560,165 S	1/2008	Matityahu et al.	D690,707 S	10/2013	Minn et al.
D560,166 S	1/2008	Andre et al.	D691,879 S	10/2013	Bernard
D561,345 S	2/2008	Flick	D691,947 S	10/2013	Cole et al.
D564,501 S	3/2008	Rath	D692,024 S	10/2013	Seong et al.
D571,805 S	6/2008	Leung et al.	D693,768 S	11/2013	Alesi et al.
			D694,182 S	11/2013	Lee et al.
			D696,673 S	12/2013	Vogel
			D698,789 S	2/2014	Daniel
			D699,241 S	2/2014	Moors et al.

(56)

References Cited

U.S. PATENT DOCUMENTS

D700,904 S	3/2014	Miller et al.	D769,877 S	10/2016	Akana et al.
D701,838 S	4/2014	Esses	D772,216 S	11/2016	Lau
D702,146 S	4/2014	Giovanni	D772,878 S	11/2016	Chiang et al.
D702,242 S	4/2014	Tsuda et al.	D772,879 S	11/2016	Eliyahu
D703,676 S	4/2014	Smith et al.	D774,514 S	12/2016	Turksu et al.
D704,177 S	5/2014	Chun et al.	D774,934 S	12/2016	Akana et al.
D705,189 S	5/2014	Chovin et al.	D775,534 S	1/2017	Turksu et al.
D705,748 S	5/2014	He	D776,659 S	1/2017	Hou
D706,248 S	6/2014	Myung et al.	D778,714 S	2/2017	McSweyn et al.
D706,249 S	6/2014	Holzer	D779,478 S	2/2017	Justiss et al.
8,758,032 B2	6/2014	Liang et al.	D779,493 S	2/2017	Eliyahu
D709,066 S	7/2014	Byun	D780,116 S	2/2017	Bing
D709,892 S	7/2014	Lui	D780,168 S	2/2017	Du
8,777,656 B2	7/2014	Kuo et al.	D780,186 S	2/2017	Lee
D711,884 S	8/2014	Turksu et al.	D780,901 S	3/2017	Huang
8,838,029 B2	9/2014	Goldman et al.	D781,297 S	3/2017	Liao
D714,729 S	10/2014	Akana et al.	D782,476 S	3/2017	Yamazaki
D715,132 S	10/2014	McSweyn et al.	D782,485 S	3/2017	Cai
D715,219 S	10/2014	Cepress et al.	D783,592 S	4/2017	Ju
D715,797 S	10/2014	Hiraga	D786,791 S	5/2017	Jeong et al.
D716,300 S	10/2014	Cruz et al.	D786,874 S	5/2017	Eliyahu
D717,803 S	11/2014	Takano et al.	D786,885 S	5/2017	Eliyahu
D718,234 S	11/2014	Rautiainen	D788,034 S	5/2017	Gschwandtl et al.
D718,236 S	11/2014	Murray	D788,080 S	5/2017	Turksu et al.
D718,271 S	11/2014	McTague et al.	D788,112 S *	5/2017	Liao D14/433
D718,612 S	12/2014	McSweyn et al.	D789,348 S	6/2017	Kim
D720,347 S	12/2014	Lo	9,690,743 B2	6/2017	Eliyahu
D720,691 S	1/2015	Lo et al.	D791,070 S	7/2017	Son et al.
D720,755 S	1/2015	Nokuo	D791,138 S	7/2017	Eliyahu
D724,060 S	3/2015	Ahn et al.	D792,220 S	7/2017	Simons et al.
D724,080 S	3/2015	Lin et al.	D793,397 S	8/2017	Eliyahu
D725,088 S	3/2015	Kwak et al.	D794,028 S	8/2017	Lin
D726,161 S	4/2015	Howard et al.	D795,876 S	8/2017	Fletcher et al.
D727,906 S	4/2015	Neumann	D796,433 S	9/2017	Langhammer et al.
D728,467 S	5/2015	Hasbrook	D796,514 S	9/2017	Xu
D729,277 S	5/2015	Uchida	D797,747 S	9/2017	Xu
D729,773 S	5/2015	Salojarvi et al.	D797,751 S	9/2017	Houston et al.
D733,043 S	6/2015	Hasbrook et al.	D798,301 S	9/2017	Kujawski et al.
D733,144 S	6/2015	Kostrzewski et al.	D798,811 S	10/2017	Liao
D733,773 S	7/2015	Lee et al.	D799,423 S	10/2017	Eliyahu
D736,150 S	8/2015	Liu	D799,463 S	10/2017	Deng
D737,201 S	8/2015	Liu	D799,464 S	10/2017	Zaihui
D738,303 S	9/2015	Symons	D800,730 S	10/2017	Liao
D738,945 S	9/2015	Culbertson et al.	D802,404 S	11/2017	Turksu et al.
D739,708 S	9/2015	McSweyn et al.	D803,779 S	11/2017	Jung et al.
D740,291 S	10/2015	Turksu et al.	D804,306 S	12/2017	Simons et al.
D741,256 S	10/2015	Murphy-Reinhertz et al.	D804,978 S	12/2017	Chao et al.
D743,382 S	11/2015	Katori	D807,290 S	1/2018	Liao
D743,924 S	11/2015	Hillenmayer et al.	D809,793 S	2/2018	Hahn et al.
D743,954 S	11/2015	Chuang et al.	D812,577 S	3/2018	Turksu et al.
D746,165 S	12/2015	Li	D813,803 S	3/2018	Massar
D746,166 S	12/2015	Li	D813,805 S	3/2018	Zhong
D746,780 S	1/2016	Akana et al.	D813,875 S	3/2018	Liao
D747,229 S	1/2016	Perez	D814,413 S	4/2018	Zhong
D747,267 S	1/2016	Aumiller et al.	D815,036 S	4/2018	Martorell
D747,984 S	1/2016	Zhao et al.	D815,639 S	4/2018	Lau
D748,463 S	2/2016	Turksu	D816,026 S	4/2018	Georgiades
D750,083 S	2/2016	Chow	D816,027 S	4/2018	Chen
D750,612 S	3/2016	Chen	D816,030 S	4/2018	Sumida
D750,633 S	3/2016	Minn et al.	D817,199 S	5/2018	Farley et al.
D751,527 S	3/2016	Hinokio et al.	D820,264 S	6/2018	Lai et al.
D751,564 S	3/2016	Hahn et al.	D824,328 S	7/2018	Liu
D751,985 S	3/2016	Curry	D826,942 S	8/2018	Lu
D753,090 S	4/2016	Langhammer et al.	10,045,568 B2	8/2018	Monsees et al.
D754,131 S	4/2016	Shim	10,058,130 B2	8/2018	Monsees et al.
D756,367 S	5/2016	Kim	D827,568 S	9/2018	Turksu et al.
D756,990 S	5/2016	Akana et al.	D828,354 S	9/2018	Chuang et al.
D762,170 S	7/2016	Lei	D828,356 S	9/2018	Xie
D763,790 S	8/2016	Lei	D828,839 S	9/2018	Zhang
D765,623 S	9/2016	Yang et al.	D828,840 S	9/2018	Zhang
D765,651 S	9/2016	Liu et al.	D828,841 S	9/2018	Zhang
D766,844 S	9/2016	Turksu et al.	D829,215 S	9/2018	Magargee et al.
D767,486 S	9/2016	Yu	D829,216 S	9/2018	Belitz et al.
9,441,659 B2	9/2016	Ortwein	D829,719 S	10/2018	Shim
D769,860 S	10/2016	Xiao	D829,725 S	10/2018	Luo
			D830,366 S *	10/2018	Turksu D14/433
			D831,875 S	10/2018	Sperling
			D832,260 S	10/2018	Birch et al.
			D836,640 S	12/2018	Hou

(56)

References Cited

U.S. PATENT DOCUMENTS

D839,869 S 2/2019 Wang
 D839,876 S 2/2019 Turksu et al.
 D844,006 S 3/2019 Molnar
 D844,618 S 4/2019 Liao
 D845,897 S 4/2019 Kim
 D847,139 S 4/2019 Wang
 D847,811 S 5/2019 Shim
 D849,678 S 5/2019 Kojima et al.
 D850,372 S 6/2019 Kong et al.
 D853,396 S 7/2019 Kong et al.
 D854,019 S 7/2019 Liao
 D854,509 S 7/2019 Wu
 D854,544 S 7/2019 Liao
 D855,054 S * 7/2019 Turksu D14/433
 D855,616 S 8/2019 Chin
 D856,278 S * 8/2019 Turksu D13/108
 10,405,582 B2 9/2019 Hatton et al.
 D862,385 S * 10/2019 Turksu D13/108
 D862,473 S 10/2019 Liu
 D862,474 S 10/2019 Liu
 D863,310 S 10/2019 Liao
 D864,205 S 10/2019 Wang
 D864,206 S 10/2019 Wang
 D864,208 S * 10/2019 Duan D14/433
 D864,209 S 10/2019 Wang
 D864,964 S 10/2019 Lyu
 D864,965 S 10/2019 Sang
 D864,966 S 10/2019 Sang
 D864,967 S 10/2019 Liu
 D865,664 S 11/2019 Liao
 D865,666 S 11/2019 Roberts
 D865,676 S 11/2019 Liao
 D865,768 S 11/2019 Du et al.
 D866,557 S 11/2019 Xiong
 D868,036 S 11/2019 Sohn et al.
 D868,742 S 12/2019 Cao
 D868,784 S 12/2019 Turksu et al.
 D869,426 S 12/2019 Sandlund
 D869,467 S 12/2019 Lin
 D871,332 S 12/2019 Liao
 D872,016 S 1/2020 Liao
 D872,078 S 1/2020 Wu
 D876,439 S * 2/2020 Turksu D14/433
 D879,102 S * 3/2020 Turksu D14/433
 D879,779 S * 3/2020 Liao D14/433
 D889,470 S * 7/2020 Zhang D14/433
 D893,488 S * 8/2020 Liu D14/433
 D894,190 S * 8/2020 Zhang D14/433
 D896,814 S * 9/2020 Zhang D14/433
 2002/0003875 A1 1/2002 Stewart et al.
 2003/0148656 A1 8/2003 Huang
 2005/0245254 A1 11/2005 Hall
 2006/0085584 A1 4/2006 Chen et al.
 2010/0315041 A1 12/2010 Tan
 2012/0255505 A1 10/2012 Gauthier
 2013/0072042 A1 3/2013 Liao
 2013/0130524 A1 5/2013 Wang
 2013/0224976 A1 8/2013 Yu et al.
 2013/0272775 A1 10/2013 Ortwein
 2013/0292481 A1 11/2013 Filson et al.
 2014/0138419 A1 5/2014 Minn et al.
 2015/0171386 A1 6/2015 Yang et al.
 2017/0035172 A1 2/2017 Kim
 2017/0170858 A1 6/2017 Tiller et al.
 2017/0223862 A1 8/2017 Justiss et al.
 2018/0165053 A1 6/2018 Kuo et al.

2018/0314664 A1 11/2018 Liao
 2019/0196545 A1 6/2019 Liao
 2020/0014161 A1 1/2020 Liao

OTHER PUBLICATIONS

Aceluxe Arm R1 Hinge Holder Stand For Table Device And Any Smartphone, amazon online, no post date, [URL: <https://uedata.amazon.com/Aceluxe-Holder-Tablet-Device-Smartphone/dp/B014115SYY>] [Retreived from internet on Feb. 12, 2019].
 PECHAM Multi-Angle Stand for Cell Phone, amazon online, first review with picture posted Jun. 28, 2017 [URL: <https://www.amazon.com/PECHAM-Multi-Angle-Nintendo-Smartphones-Universal/dp/B072JCY5XY>] [Retreived from Internet on Feb. 12, 2019].
 SARIANA, LLC, US Registration No. 5,134,820, Jan. 31, 2017.
 Satechi Aluminum Multi-Port Adapter V2-4K HDMI, Satechi, first listed on amazon.com on Sep. 7, 2017, retrieved on Dec. 3, 2018, [retrieved from the Internet] URL: https://www.amazon.com/Satechi-Aluminum-Multi-Port-Ethernet-Pass-Throught/dp/B075FW7H5J/ref=sr_1_3?ie=UTF8&qid=1543853703&sr=8-3&keywords=satechi+adapter.
 Satechi R1 Arm Series Review, YouTube online, post date Mar. 27, 2012, [URL: <https://www.youtube.com/watch?v=edjrferhELk>].
 Turksu et al. "Certificate of Registration for European Community Design Registration No. 003618826-0001," Registration Date: Jan. 11, 2017. EUIPO.
 Turksu et al. "Certificate of Registration for European Community Design Registration No. 003618834-0001," Registration Date: Jan. 11, 2017. EUIPO.
 UGREEN USB C Hub VGA Type C Multiport Adapter, UGREEN, first available on amazon.com on Apr. 7, 2018, retrieved on Dec. 3, 2018, [retrieve from the Internet], URL: https://www.amazon.com/UGREEN-Multiport-Delivery-Charging-Chromebook/dp/B076WX1VKZ/ref=sr_1_1_sspa?ie=UTF8&qid=1543851422&sr=8-1spons&keywords=ugreen+adapte.
 Wong, Thomas. "Quick Look: Satechi Premium 4 Port Aluminum," [retrieved from Internet] <http://iSource.com/2012/07/04/quick-look-satechi-premium-4-port-aluminum-usb-hub/>, Jul. 4, 2012 [retrieved from Internet on Nov. 1, 2017] 13 pgs.
 Satechi Aluminum Type-C Pro Hub Adapter with Ethernet, YouTube online, post date May 11, 2018, URL: <https://www.youtube.com/watch?v=Wl6aTgweWtQ>, retrieved Dec. 5, 2019.
 Satechi Type-c USB 3.0: 3 in 1 Combo Hub for MacBook, Buy Valuable Stuff online, post date Oct. 15, 2017, URL: <https://buyvaluablestuff.com/satechi-type-c-usb-3-0-3-in-1-combo-hub/>, retrieved Dec. 16, 2019.
 Satechi Type-c USB 3.0: 3 in 1 Combo Hub, online, no post date. URL: <https://satechi.net/collections/all/products/satechi-type-c-usb-3-0-3-in-1-combo-hub>, retrieved Dec. 16, 2019.
 AM, Quality Materials, [Published Sep. 22, 2016] amazon.com, [online][accessed Jan. 28, 2019] <URL:https://www.amazon.com/Satechi-Qi-Certified-Aluminum-Wireless-Charger/product-reviews/B0114365RQ/ref=cm_cr_getr_d_paging_btm_9?ie=UTF8&reviewerType=all_reviews&sortBy=recent&pageNumber=9> (Year: 2016).
 Satechi Aluminum Type-C Mobile Pro Hub, online, no post date, URL: <https://satechi.net/products/aluminum-type-c-mobile-pro-hub>, retrieved Dec. 16, 2019.
 Satechi Type-C Mobile Pro Hub review, The gadgeteer online, post date Jan. 1, 2019, URL:<https://the-gadgeteer.com/2019/01/01/satechi-type-c-mobile-pro-hub-review/>, retrieved Dec. 16, 2019.
 Satechi Type-C Aluminum Stand and Hub (online). 17 pages, Listed Oct. 7, 2019 [retrieved Jan. 29, 2020] <https://www.amazon.com/Satechi-Type-C-Aluminum-Stand-Hub/dp/B07YSWZNNW>.
 Shenzhi Tech Mini USB C Hub, online, no post date, URL: <https://www.dhgate.com/product/mini-usb-c-hub-sd-tf-card-reader-aluminum/502981050.html#seo=WAP>, retrieved Dec. 16, 2019.

* cited by examiner

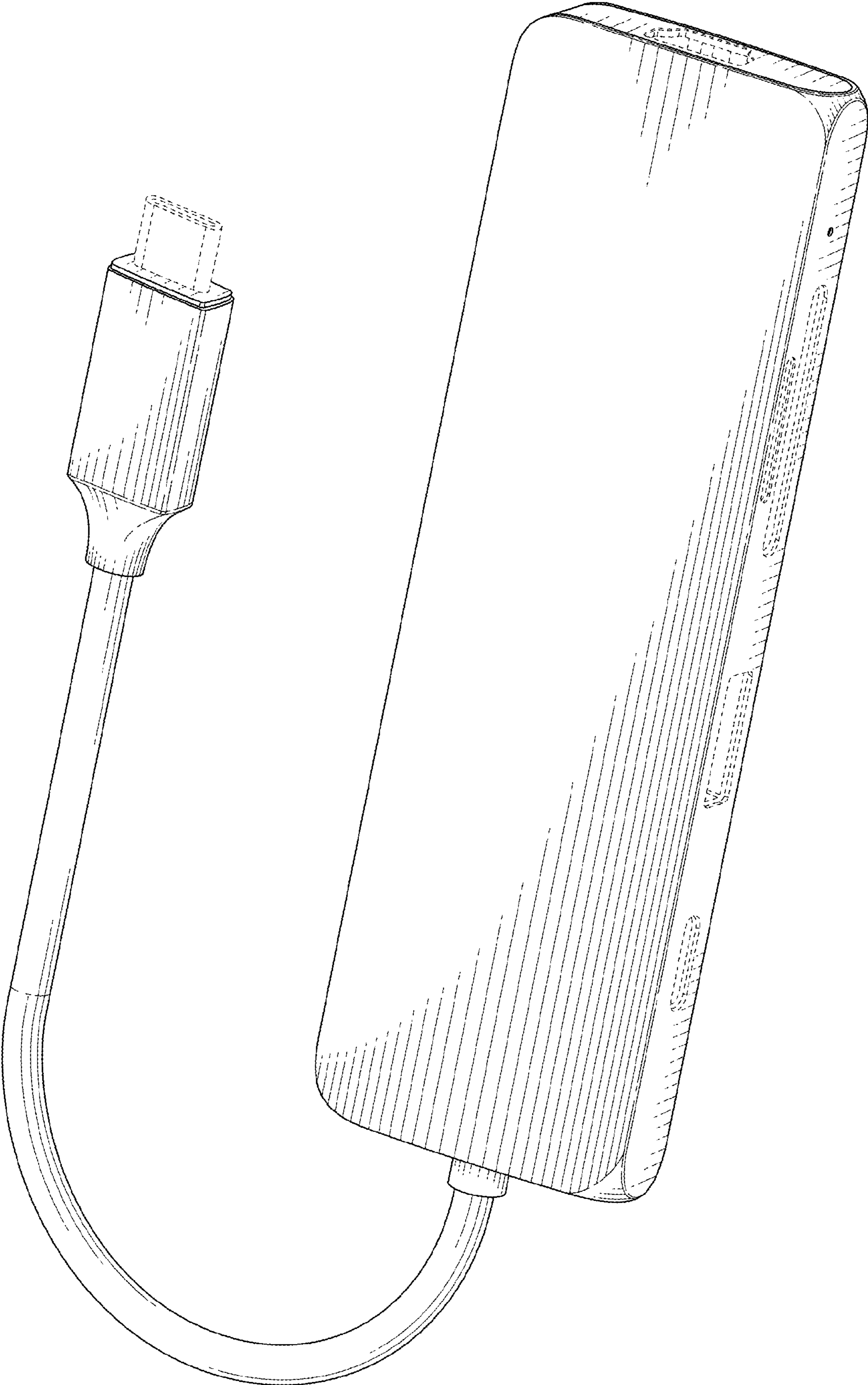


FIG. 1

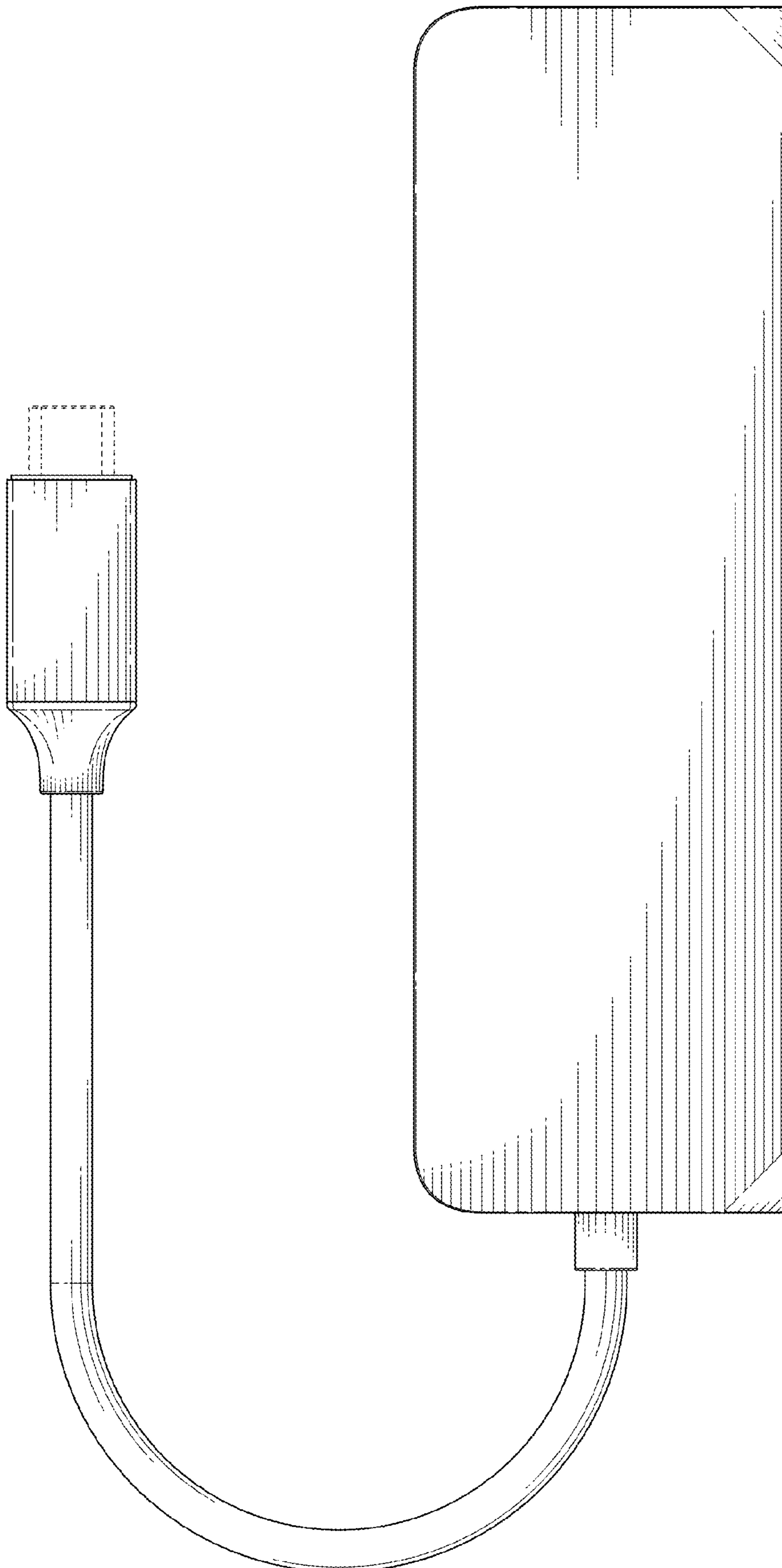


FIG. 2

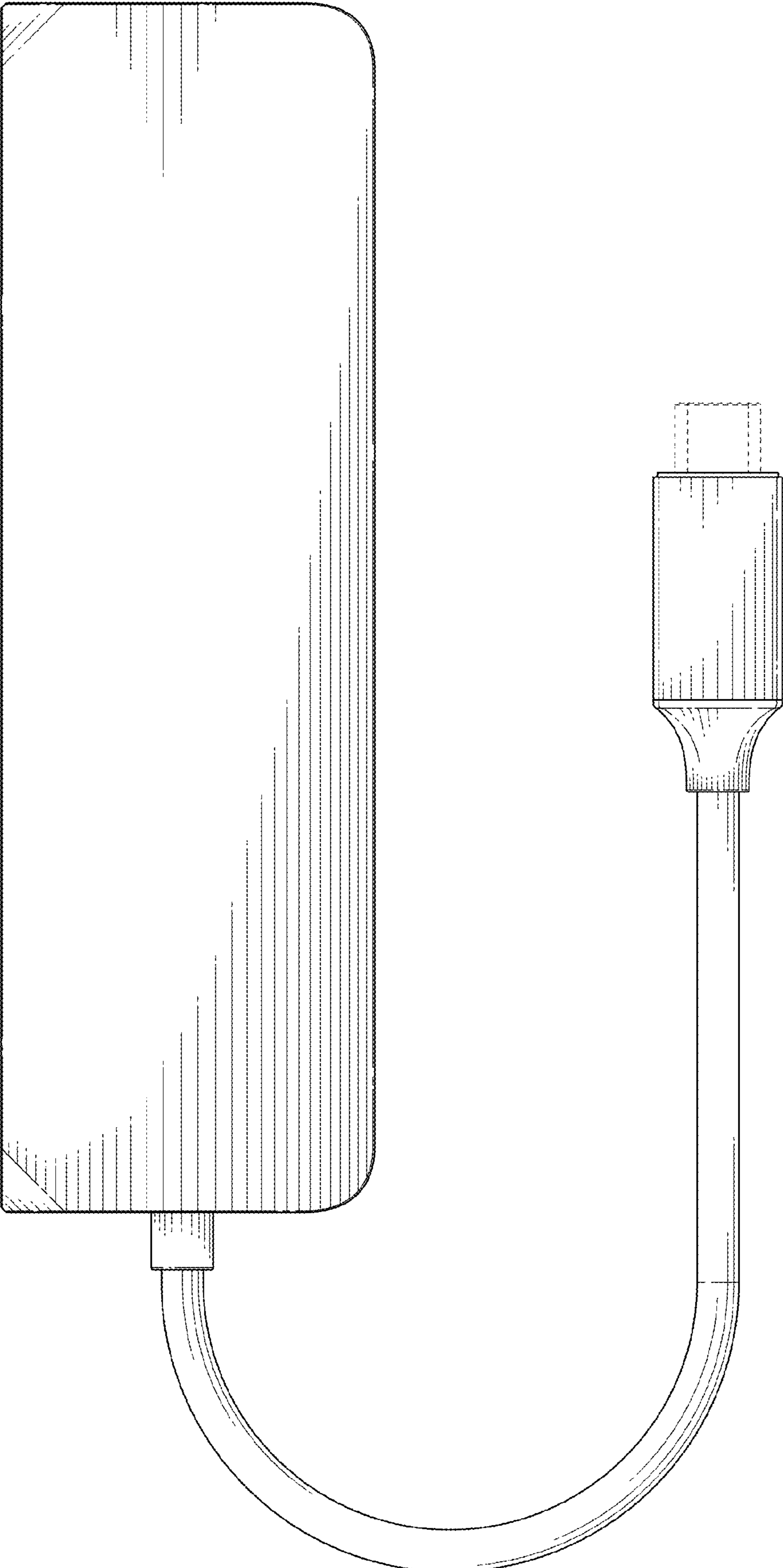


FIG. 3

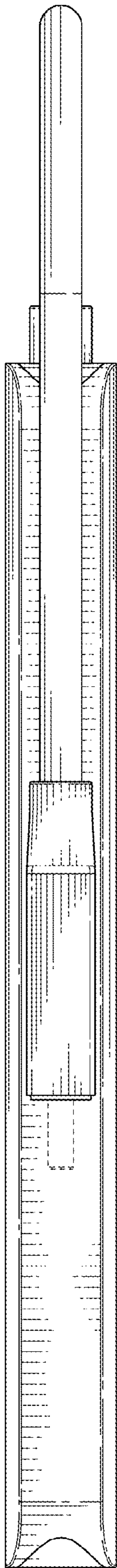


FIG. 4

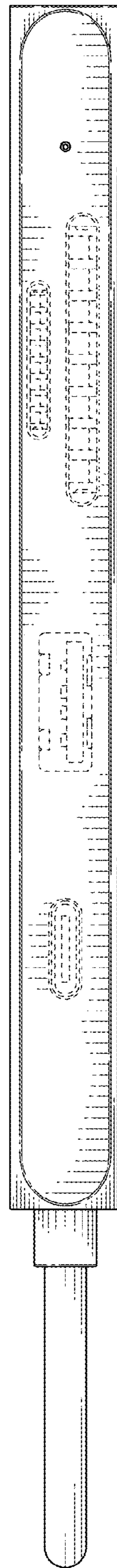


FIG. 5

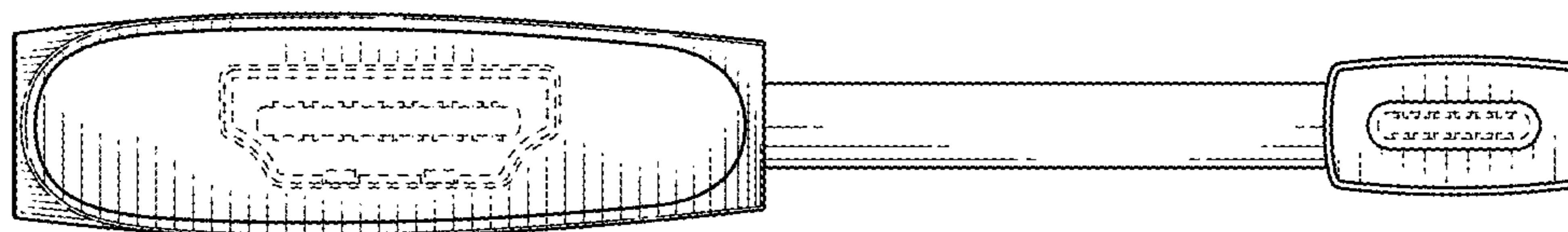


FIG. 6

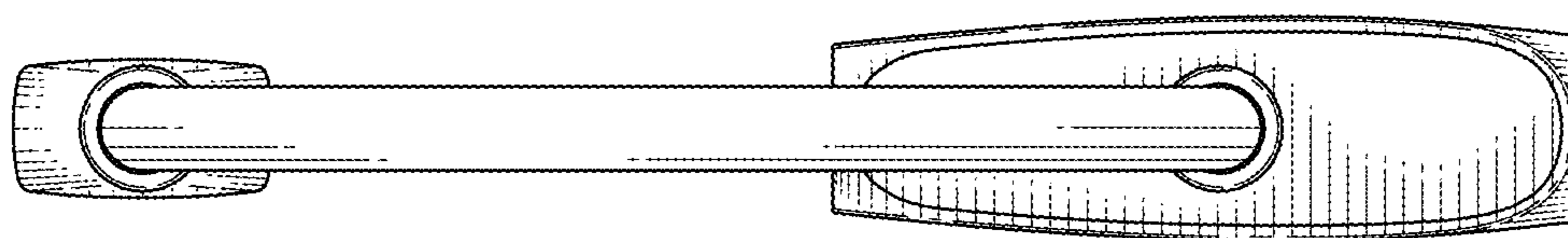


FIG. 7

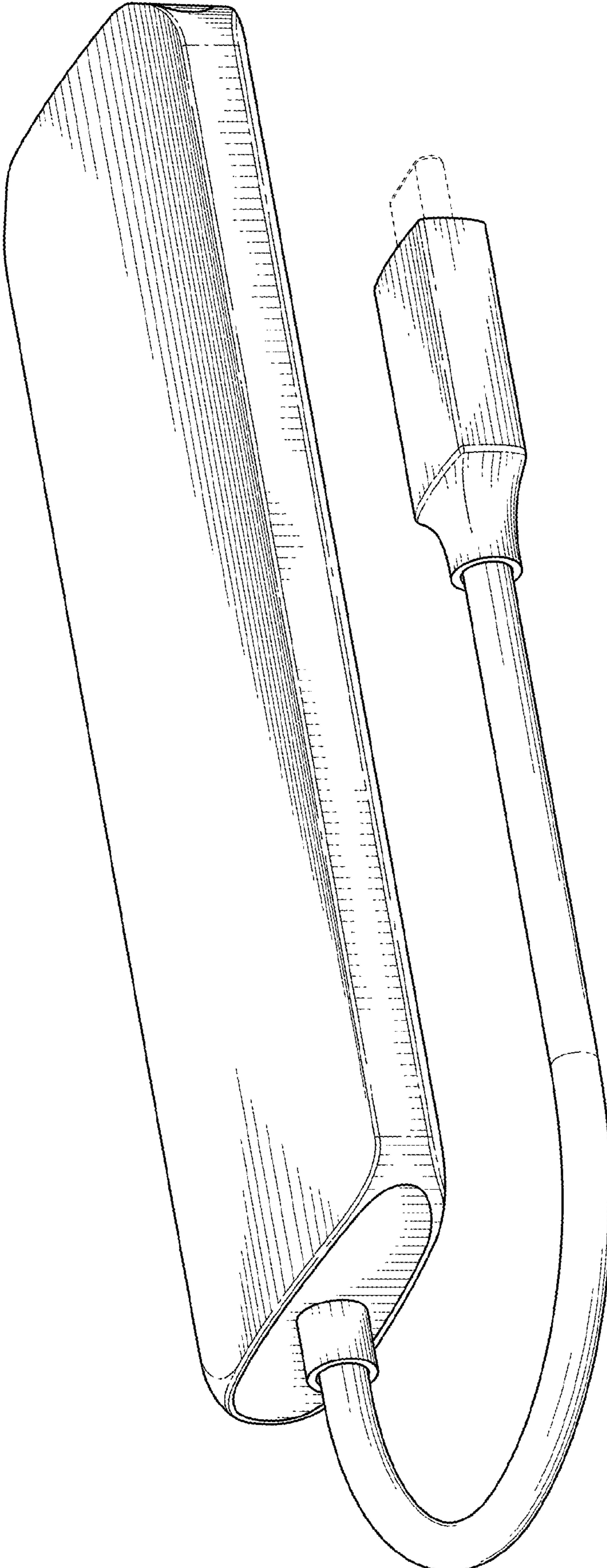


FIG. 8