



US00D909384S

(12) **United States Design Patent** (10) **Patent No.:** **US D909,384 S**  
**Malik et al.** (45) **Date of Patent:** **\*\* Feb. 2, 2021**

(54) **HANDHELD DEVICE WITH PISTOL GRIP**  
(71) Applicant: **7-Eleven, Inc.**, Irving, TX (US)  
(72) Inventors: **Vivek Malik**, Farmers Branch, TX (US); **Scott Albert**, Dallas, TX (US); **Maninder Singh Suri**, Irving, TX (US); **Tarang Swadeshkumar Sethia**, Frisco, TX (US); **Gurmeet Singh**, Irving, TX (US)  
(73) Assignee: **7-Eleven, Inc.**, Irving, TX (US)  
(\*\*) Term: **15 Years**  
(21) Appl. No.: **29/703,389**  
(22) Filed: **Aug. 27, 2019**  
(51) **LOC (13) Cl.** ..... **14-02**  
(52) **U.S. Cl.**  
USPC ..... **D14/428**  
(58) **Field of Classification Search**  
USPC ..... D14/420, 426–430, 453, 346, 341, 347, D14/412, 138 R, 138 AA, 138 C; D13/107, 184; 358/473; 235/462.43, 235/462.45, 462.47, 462.48, 462.44, 235/462.46, 487, 472.01, 472.02, 145 A, 235/145 R, 385, 440, 383, 454, 462.01; D10/78, 46, 70, 75, 80; 324/426; D3/273; 710/73; D18/7; 361/679, 728, 361/679.56, 679.55, 679.59; 382/313, 382/321; 455/575.1, 561, 572, 557, 349, 455/556.1, 556.2, 90.3; 345/156, 168, 345/169, 172, 173, 87; 705/17, 18, 705/22–25; 343/872, 846, 700 MS  
CPC ..... G06F 1/626; G06F 1/1626; G06F 1/1656; G06F 1/1632; G06F 1/1684; G06F 1/1635; G06F 8/63; G06F 17/30091; G06F 9/4401; G06K 7/10881; G06K 7/1098; G06K 7/10722; G06K 7/1404; G06K 7/0004; G06K 7/10633; G06K 7/10851; G06K 7/1091; G06K 7/1092; G06K 7/1093; G06K 7/10; G06K 7/109; G06K 7/1417; G06K

(Continued)

(56) **References Cited**  
U.S. PATENT DOCUMENTS  
D574,838 S \* 8/2008 Palmer ..... D14/426  
D634,435 S \* 3/2011 Chua ..... D24/186  
D723,499 S \* 3/2015 Nishikawa ..... D14/138 G  
D724,046 S \* 3/2015 Sawada ..... D14/138 G  
D729,247 S \* 5/2015 Hackett ..... D14/426  
D737,823 S \* 9/2015 Partridge ..... D14/428  
(Continued)

**OTHER PUBLICATIONS**  
China National Intellectual Property Administration, Second Office Action, Application No. 202030061939.5, dated Jul. 29, 2020, 1 page.

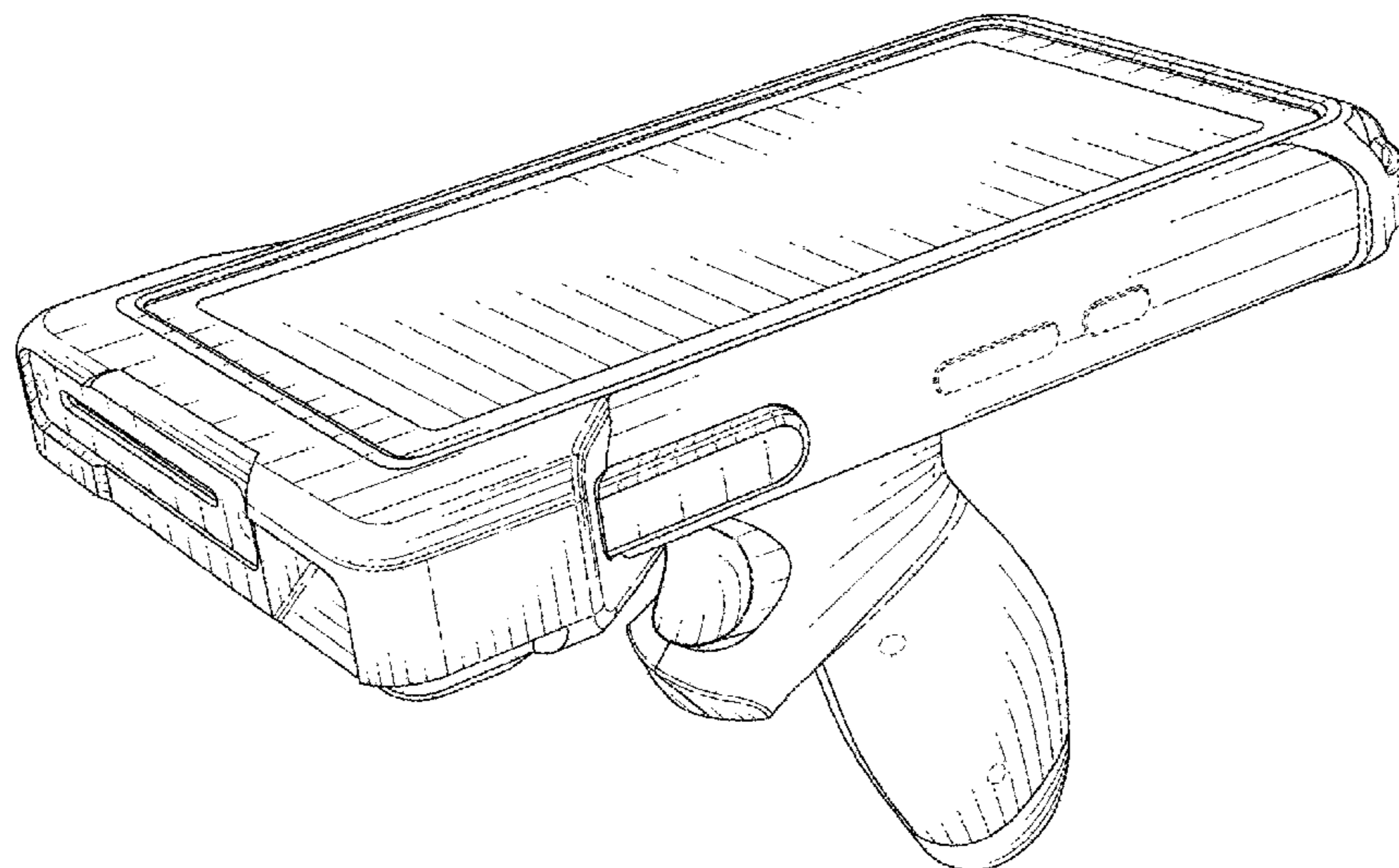
*Primary Examiner* — Susan Moon Lee  
(74) *Attorney, Agent, or Firm* — Baker Botts L.L.P.

(57) **CLAIM**  
The ornamental design for a handheld device with pistol grip, as shown and described.

**DESCRIPTION**

FIG. 1 is a perspective view of a handheld device with pistol grip according to our new design;  
FIG. 2 is another perspective view thereof;  
FIG. 3 is another perspective view thereof;  
FIG. 4 is another perspective view thereof;  
FIG. 5 is another perspective view thereof;  
FIG. 6 is another perspective view thereof;  
FIG. 7 is another perspective view thereof;  
FIG. 8 is another perspective view thereof;  
FIG. 9 is a top view thereof;  
FIG. 10 is a bottom view thereof;  
FIG. 11 is a side view thereof;  
FIG. 12 is another side view thereof;  
FIG. 13 is a front view thereof; and,  
FIG. 14 is a back view thereof.  
The broken lines in the drawings of the handheld device with pistol grip are for showing portions of the article and form no part of the claimed design.

**1 Claim, 14 Drawing Sheets**



**(58) Field of Classification Search**

CPC ..... 7/10386; G06K 7/10079; G06K 7/10891;  
 G06K 7/1097; G06K 7/10366; G06K  
 7/10425; G06K 7/10376; G06K 7/10396;  
 G06K 7/015; G06K 7/10316; G06K  
 9/228; G06K 17/0022; G06K 17/00;  
 G06K 2207/1011; G06K 2207/1013;  
 G06K 2207/1016; G06K 2207/1018;  
 G06K 2017/0051; G06K 2017/0067;  
 G06K 2007/10524; G06K 2007/10534;  
 G06K 2007/10544; G06K 19/0723; G06K  
 7/1095; G06K 7/089; G06K 7/10821;  
 G07G 1/0081; G07G 1/009; G06Q 20/20;  
 G06Q 20/201; G06Q 20/202; G06Q  
 20/203; G06Q 20/30; G06Q 20/32; G06Q  
 20/322; G06Q 20/4014; G06Q 10/087;  
 H04N 1/00127; H04N 1/00135; H04N  
 1/00326; H04N 1/00334; H04N 1/00307;  
 H04N 1/107; H04N 2201/0084; H04N  
 2101/00; H04M 1/0249; H04M 1/0262;  
 H04M 1/0266; H04M 1/18; H04M 1/23;  
 H04M 1/236; H04B 1/3827; H04B  
 1/3833; H04B 1/3877; H04B 1/3883;  
 H04B 1/3888; H04B 2001/3894; H01M  
 2/1066; H01Q 1/42; H01Q 1/2216; H01Q  
 1/20; H01Q 1/22; H01Q 1/2208; H01Q  
 1/2258; H01Q 1/241; H01Q 1/242; H01Q  
 1/244; H01Q 1/27; H01Q 1/273; H01Q  
 9/16; H01Q 9/285; H01Q 19/28; Y10T  
 29/49016

See application file for complete search history.

**(56)**

**References Cited**

U.S. PATENT DOCUMENTS

9,239,590 B2 \* 1/2016 Vargas ..... G06F 1/1632  
 9,436,226 B2 \* 9/2016 Chen ..... G06F 1/1628  
 9,727,840 B2 \* 8/2017 Bernhardt ..... G06K 7/10722  
 D797,106 S \* 9/2017 Paolizzi ..... D14/426  
 D822,663 S \* 7/2018 Paolizzi ..... D14/428  
 D894,903 S \* 9/2020 Endo ..... D14/428  
 2006/0266841 A1 \* 11/2006 Hansen ..... G06F 1/1684  
 235/472.02  
 2009/0322867 A1 \* 12/2009 Carrey ..... A61B 1/00154  
 348/77  
 2011/0049243 A1 \* 3/2011 Gong ..... G06K 7/10881  
 235/462.48  
 2012/0298740 A1 \* 11/2012 Hsu ..... G06Q 20/204  
 235/375  
 2014/0099526 A1 \* 4/2014 Powell ..... G06K 7/0004  
 429/100  
 2014/0191644 A1 \* 7/2014 Chaney ..... A45C 11/00  
 312/327  
 2014/0233180 A1 \* 8/2014 Vargas ..... G06F 1/1613  
 361/679.55  
 2014/0249941 A1 \* 9/2014 Hicks ..... G06K 7/10821  
 705/17  
 2014/0249942 A1 \* 9/2014 Hicks ..... G06Q 20/20  
 705/17  
 2015/0355681 A1 \* 12/2015 Chen ..... G06F 1/1654  
 361/679.56  
 2016/0055357 A1 \* 2/2016 Hicks ..... G06K 7/0004  
 235/383  
 2017/0092442 A1 \* 3/2017 Minaf ..... G06K 7/10881  
 2017/0124361 A1 \* 5/2017 Wilfred ..... H04L 67/18  
 2018/0068145 A1 \* 3/2018 Todeschini ..... H04M 1/04  
 2018/0260592 A1 \* 9/2018 Trishaun ..... G06K 7/10316

\* cited by examiner

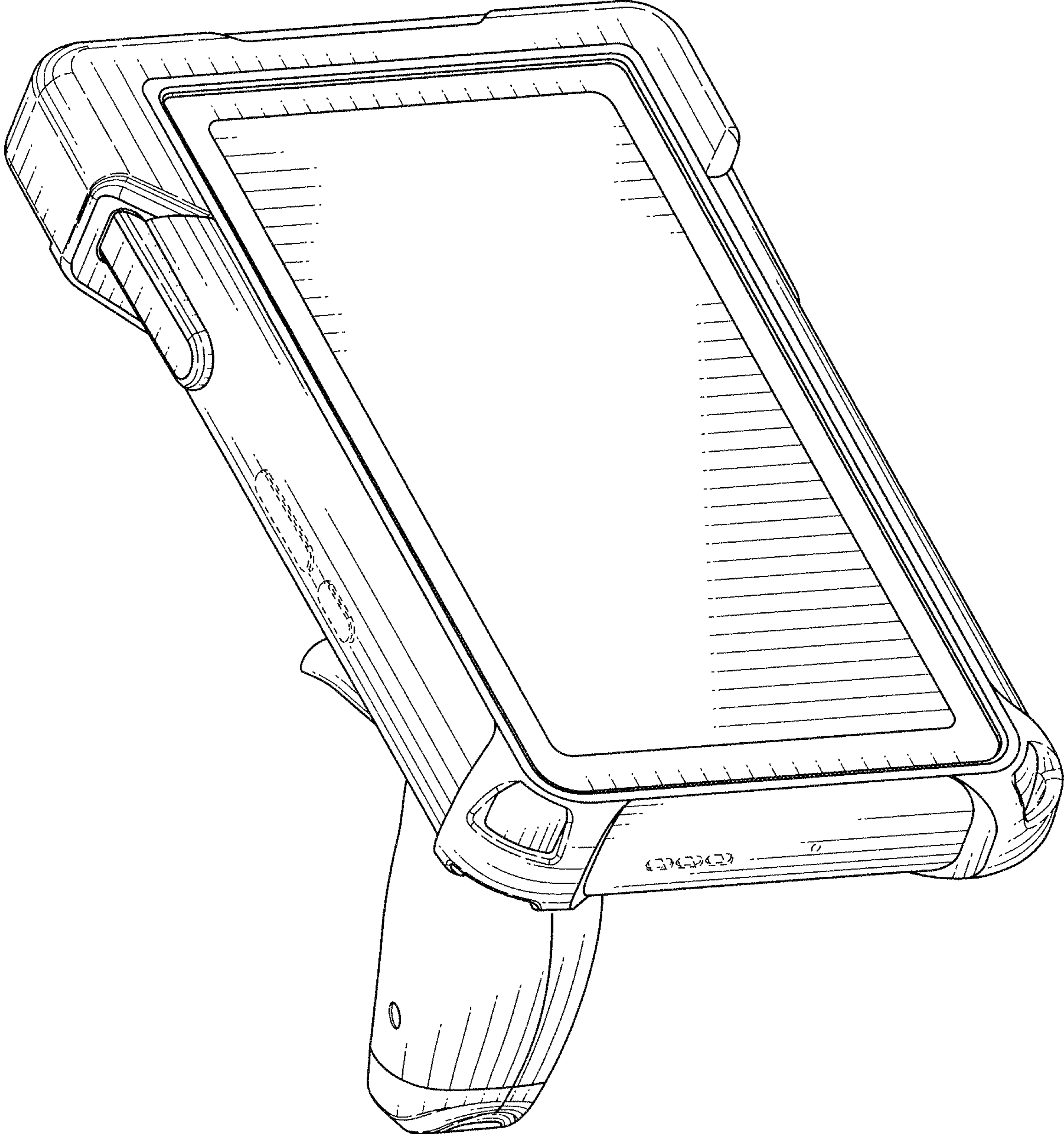


FIG. 1

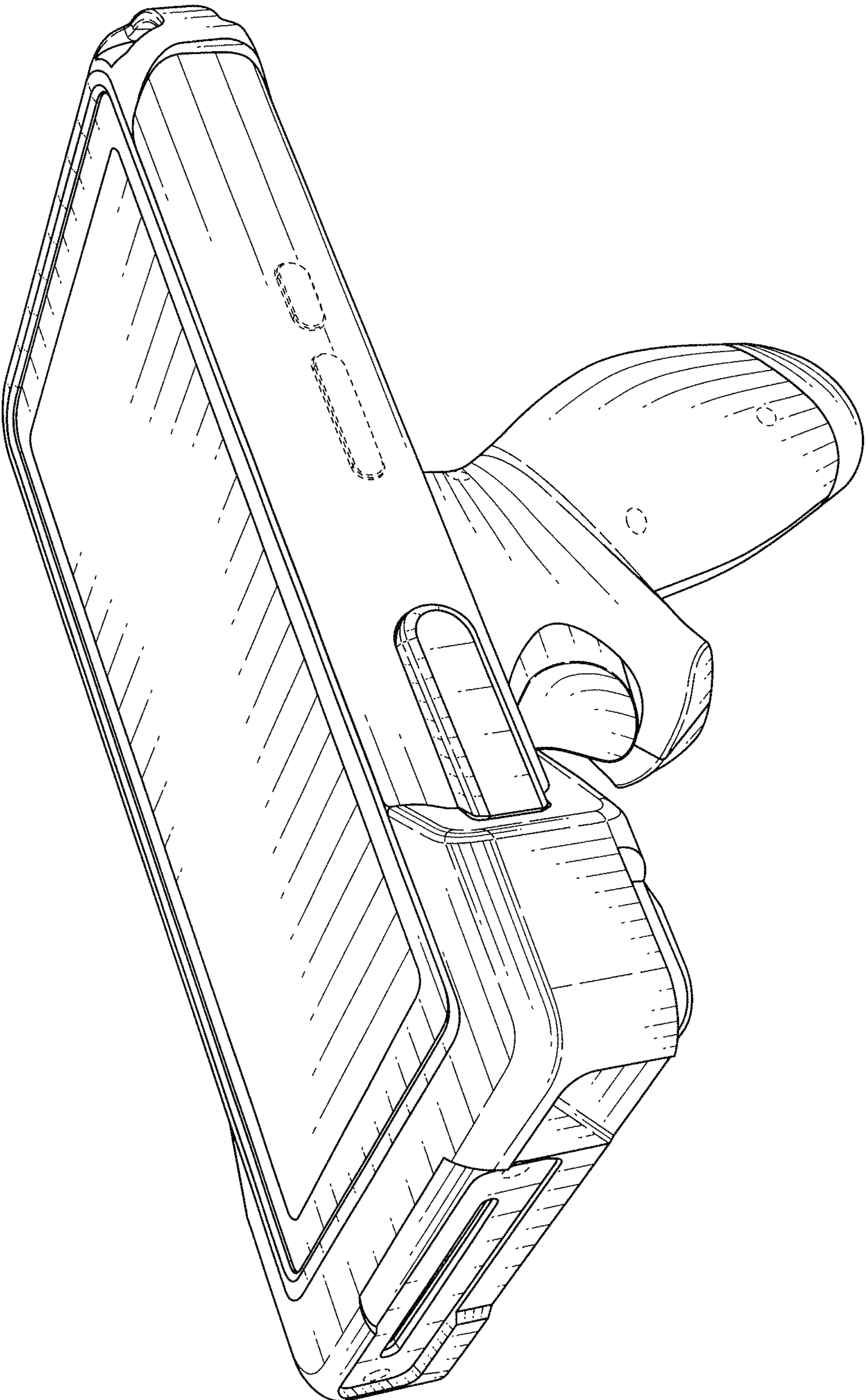


FIG. 2

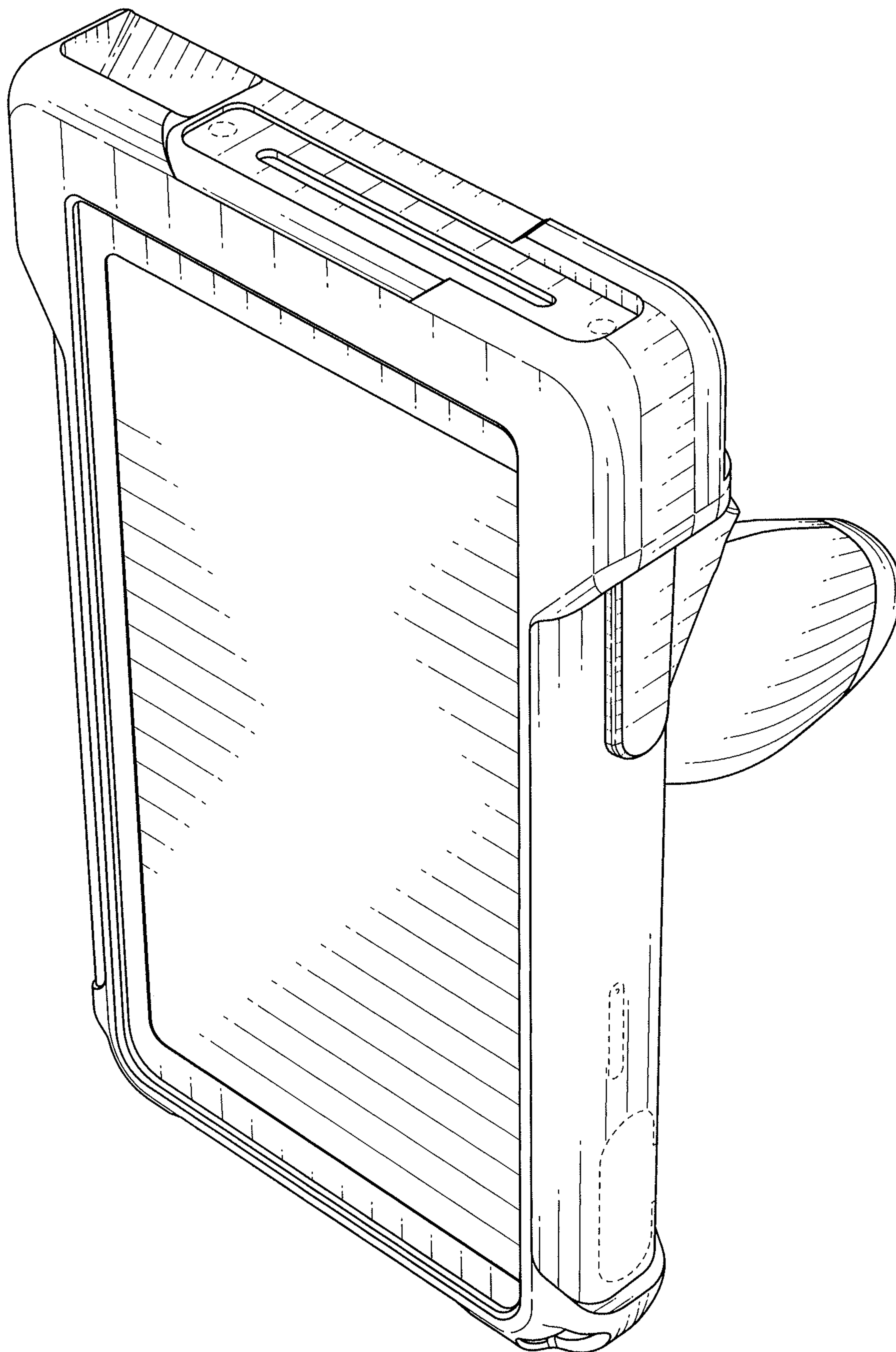


FIG. 3

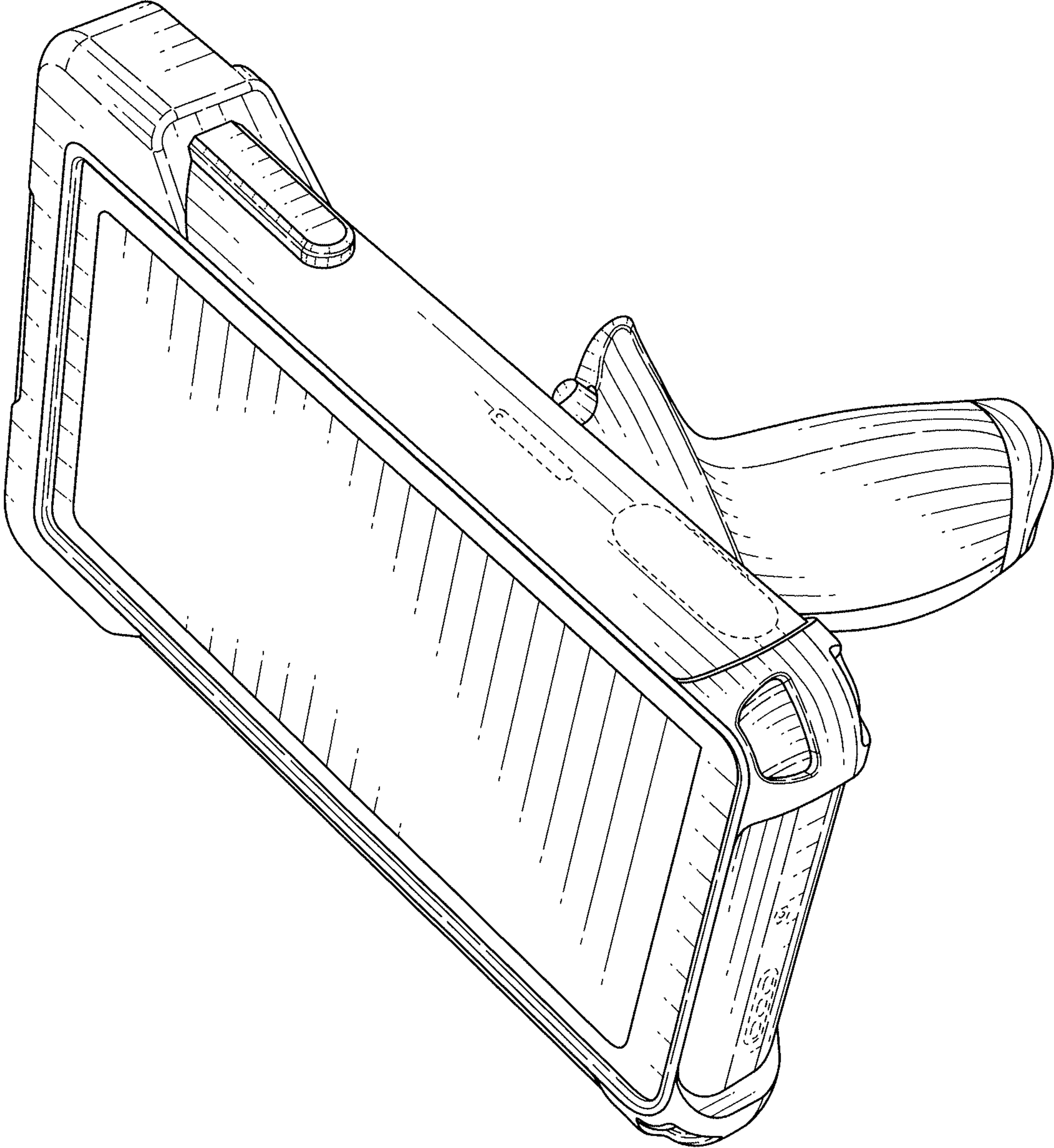


FIG. 4

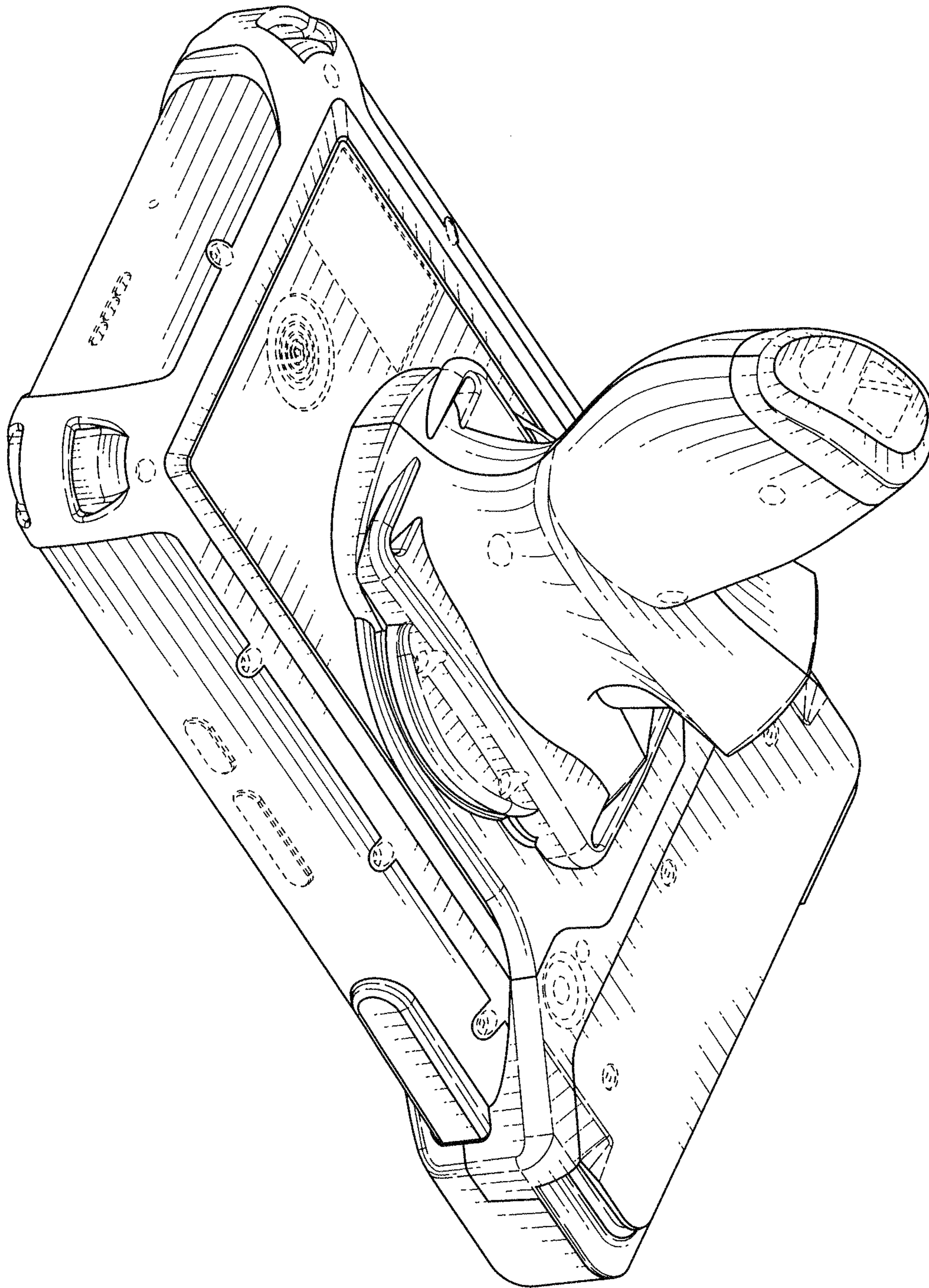


FIG. 5

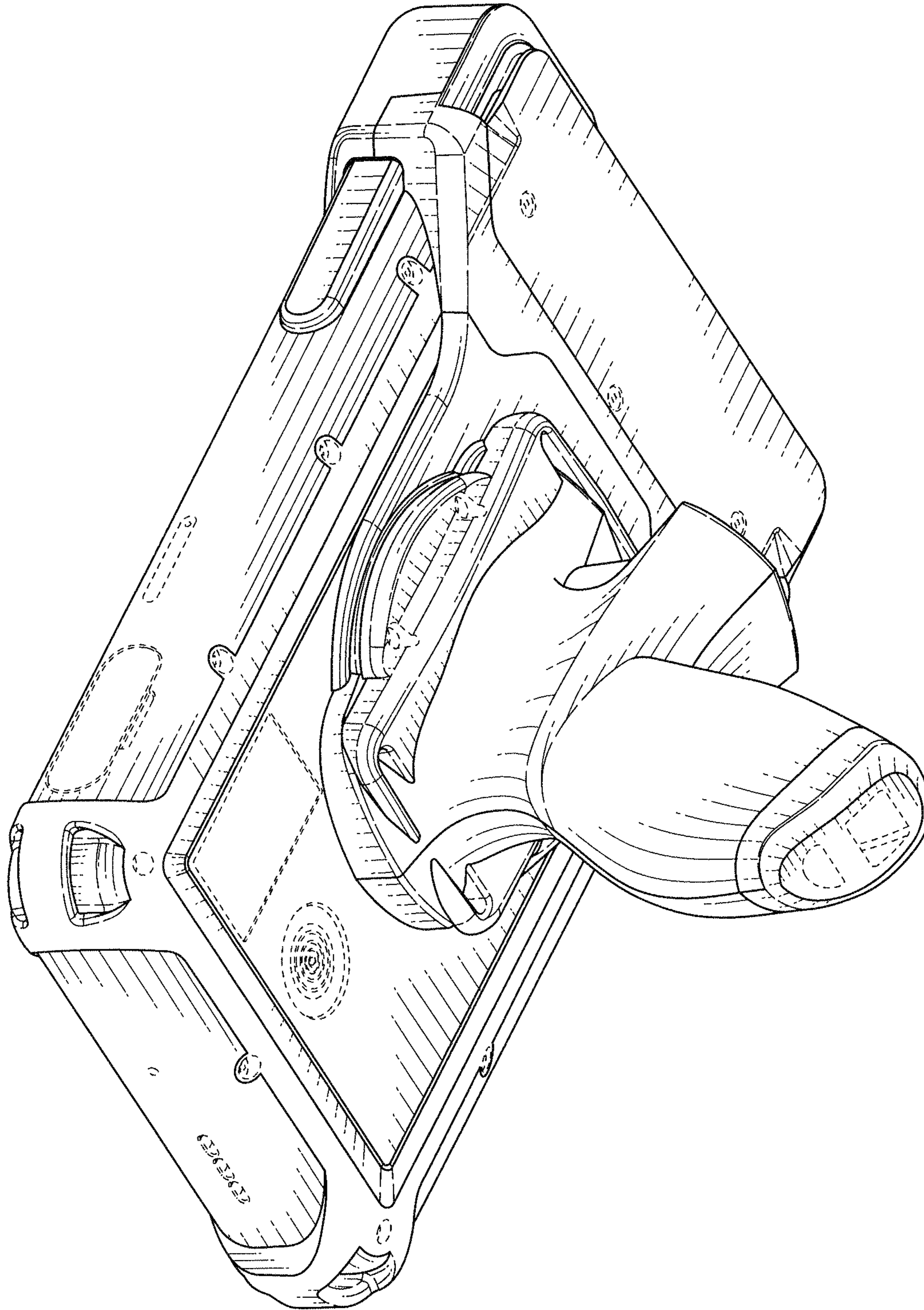


FIG. 6



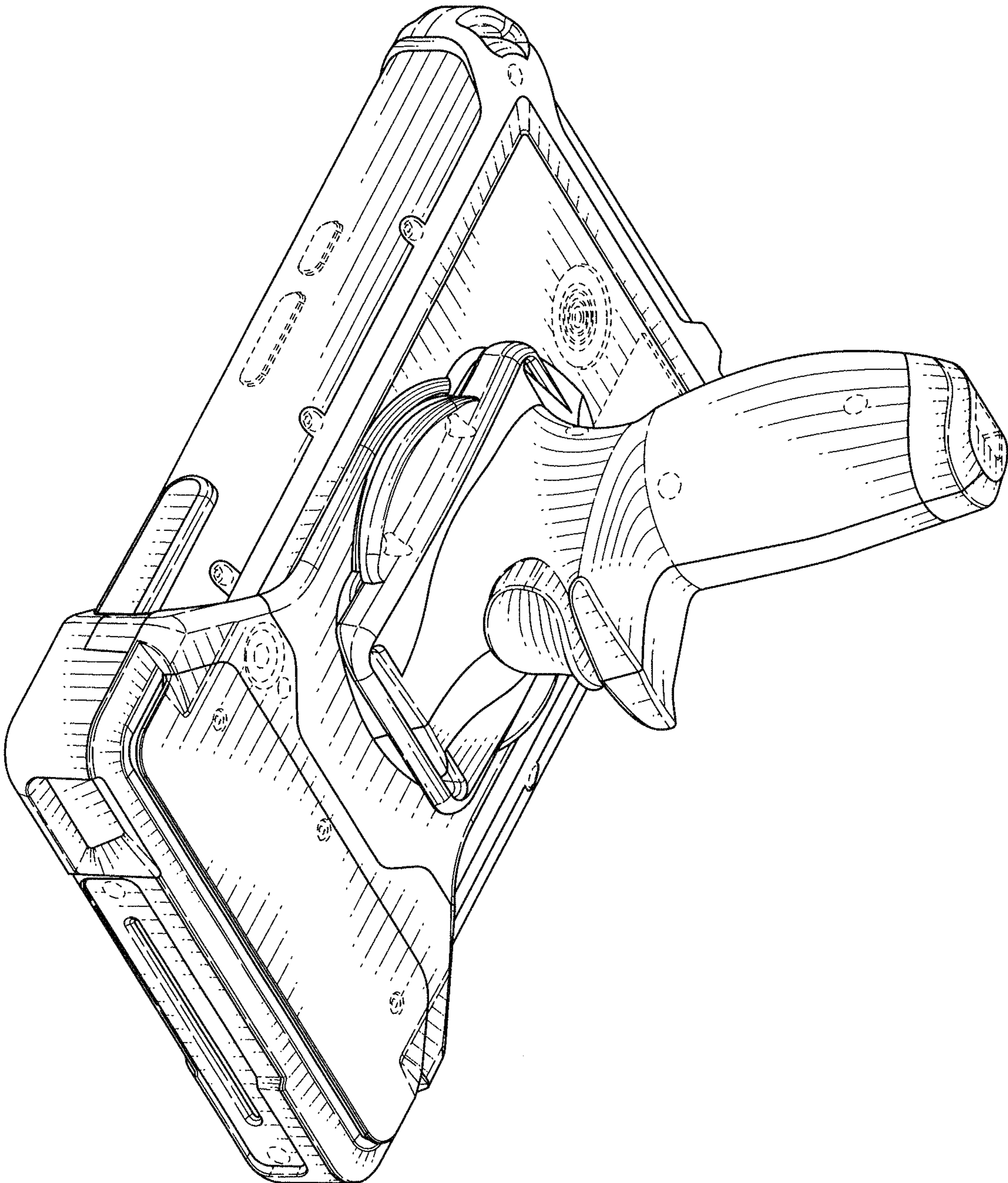


FIG. 7

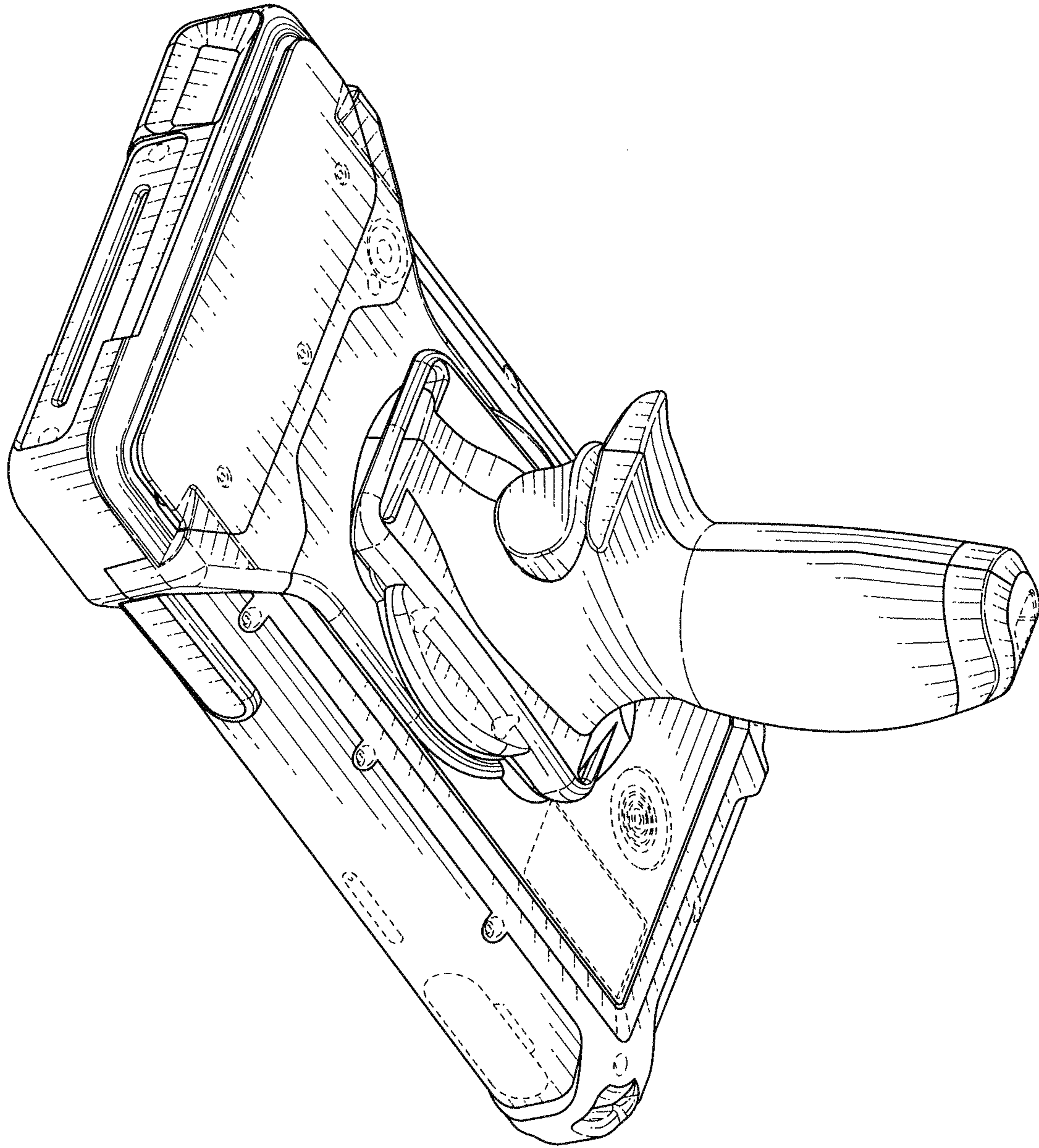


FIG. 8

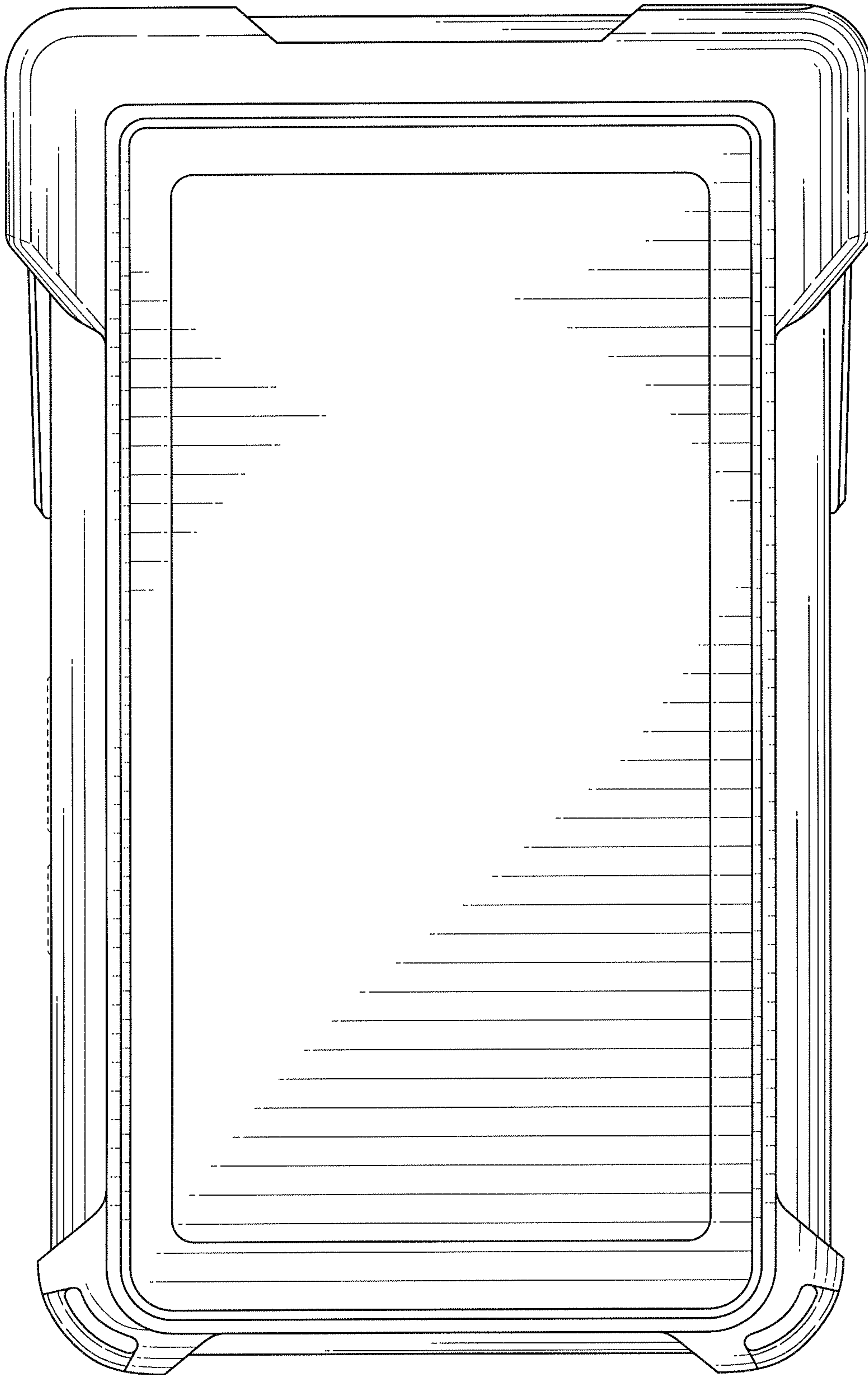


FIG. 9

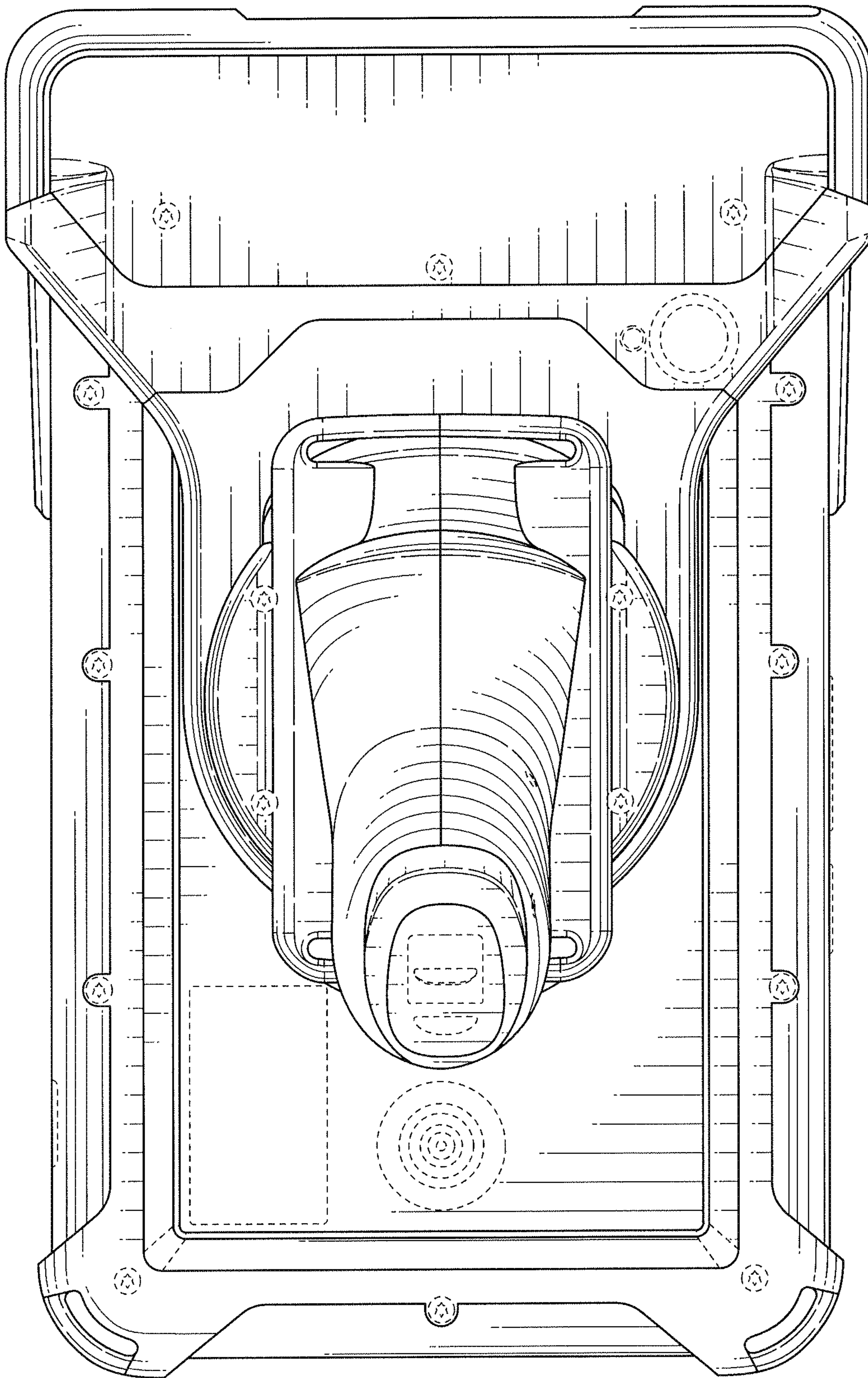


FIG. 10

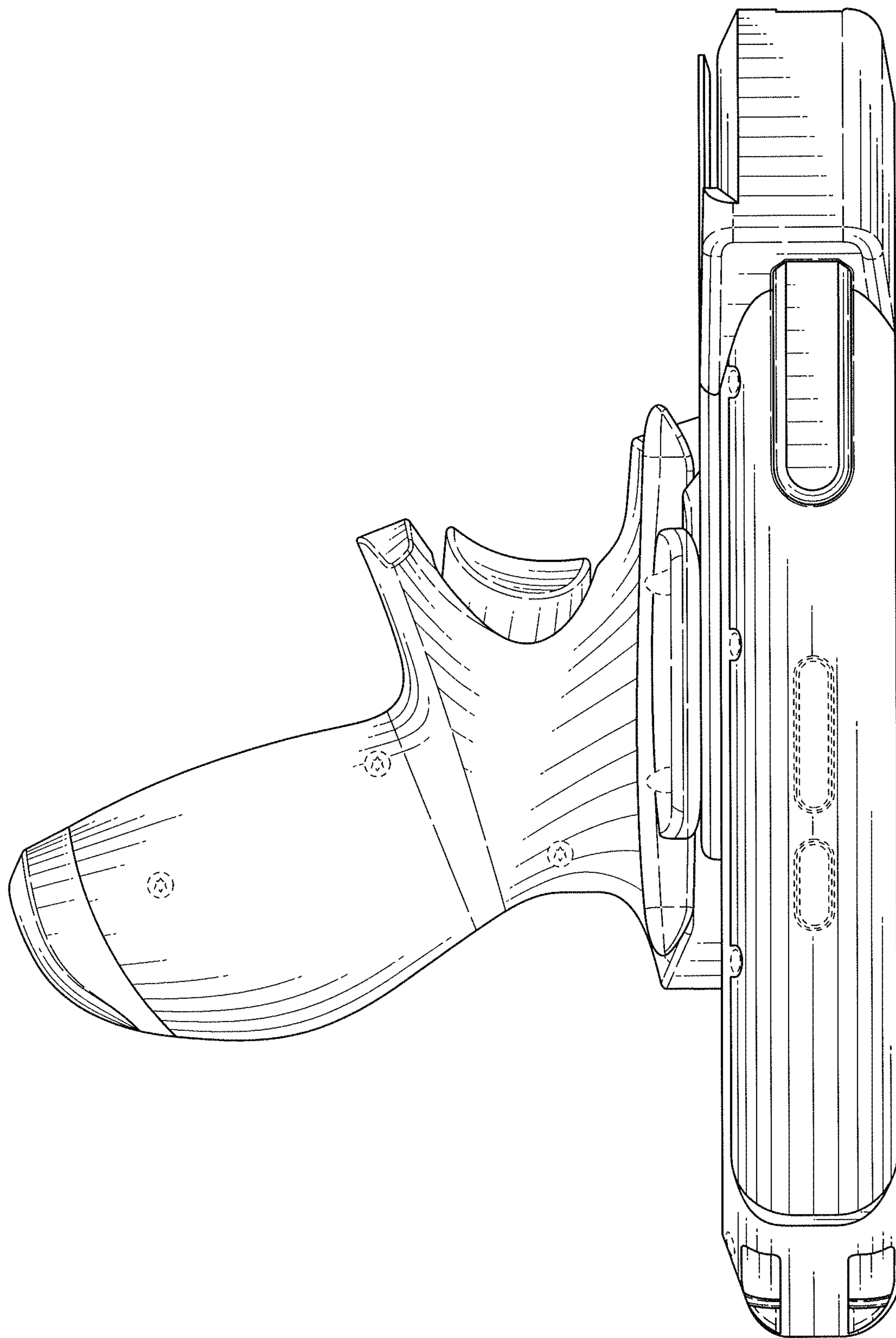


FIG. 11

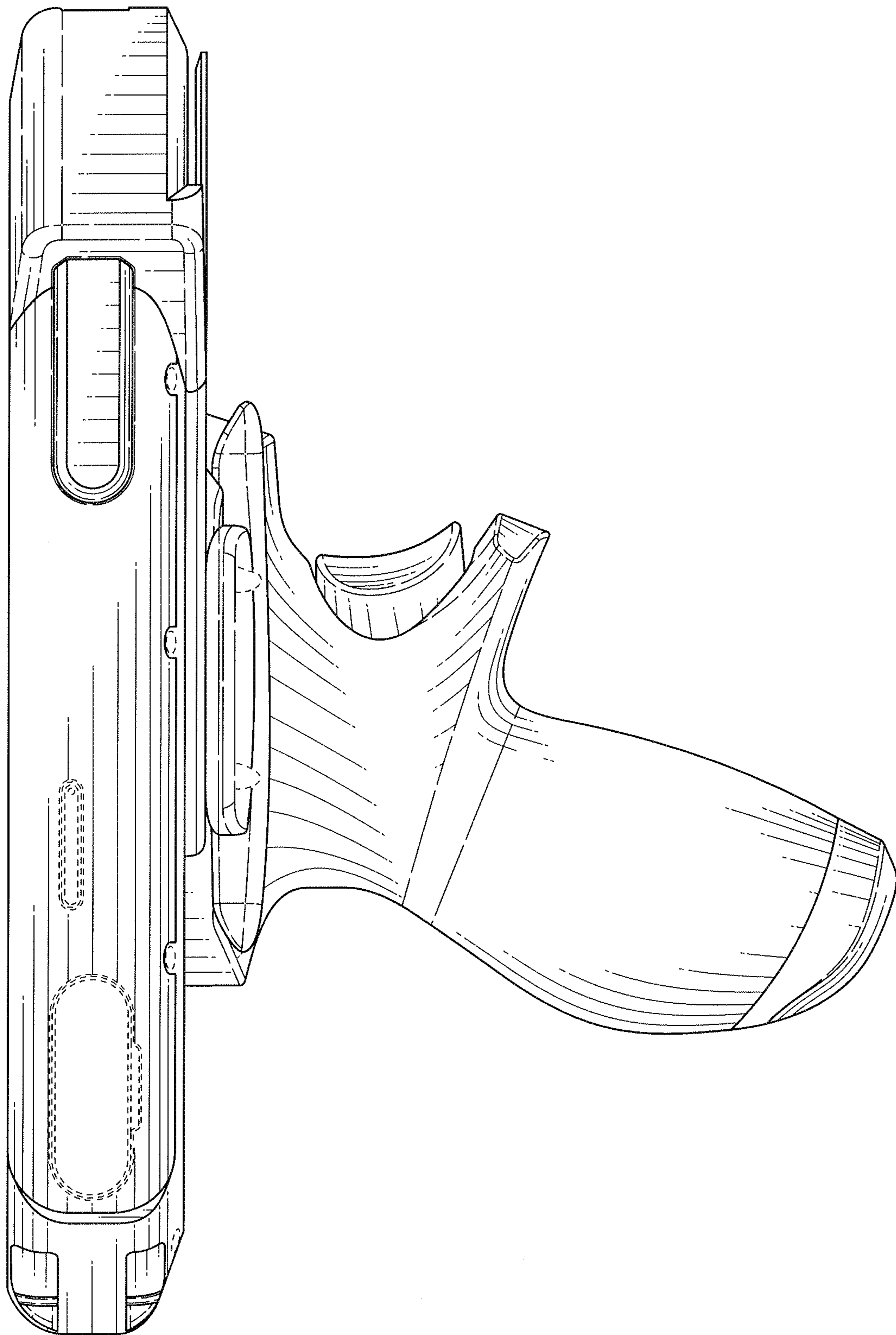


FIG. 12

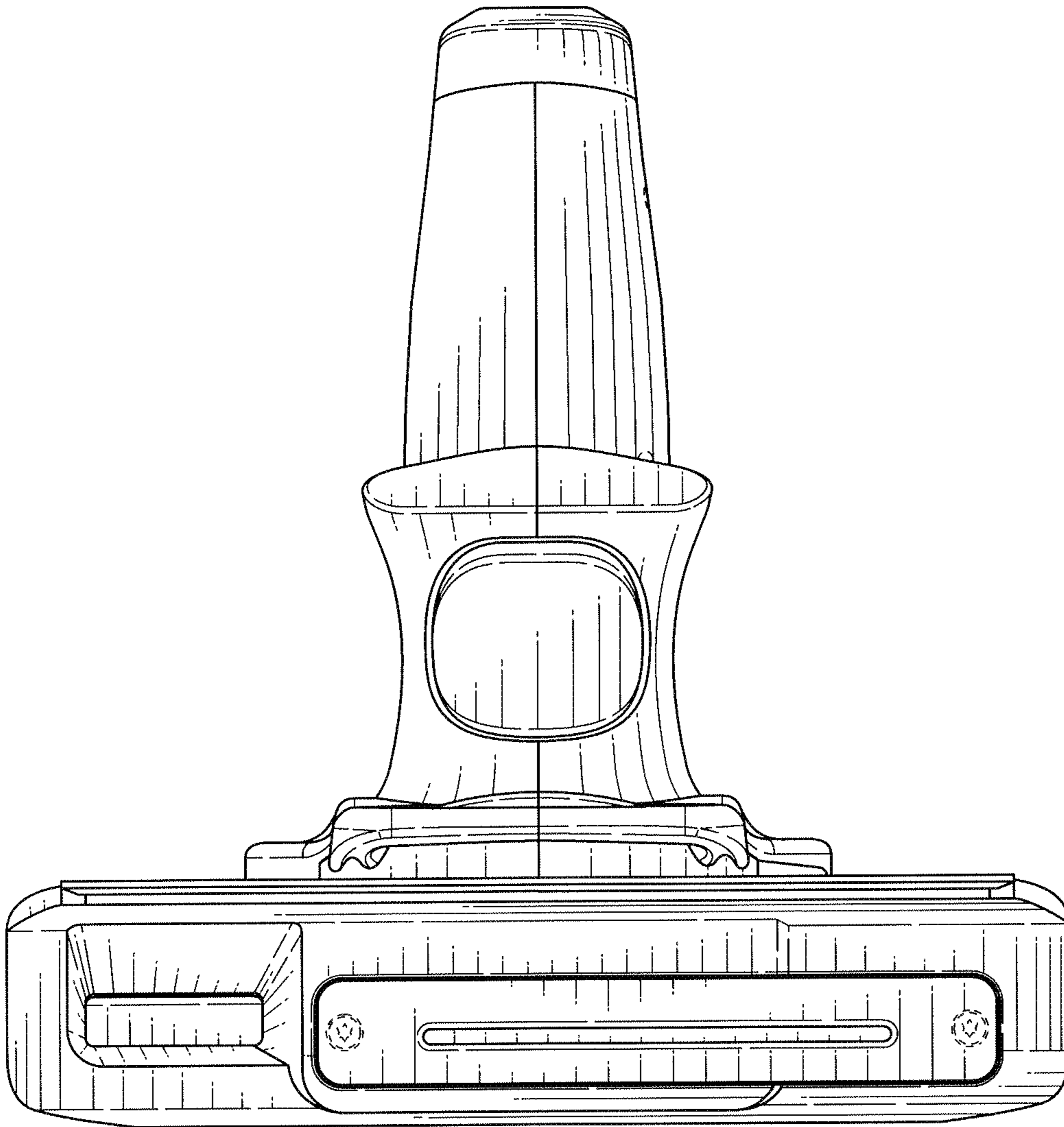


FIG. 13

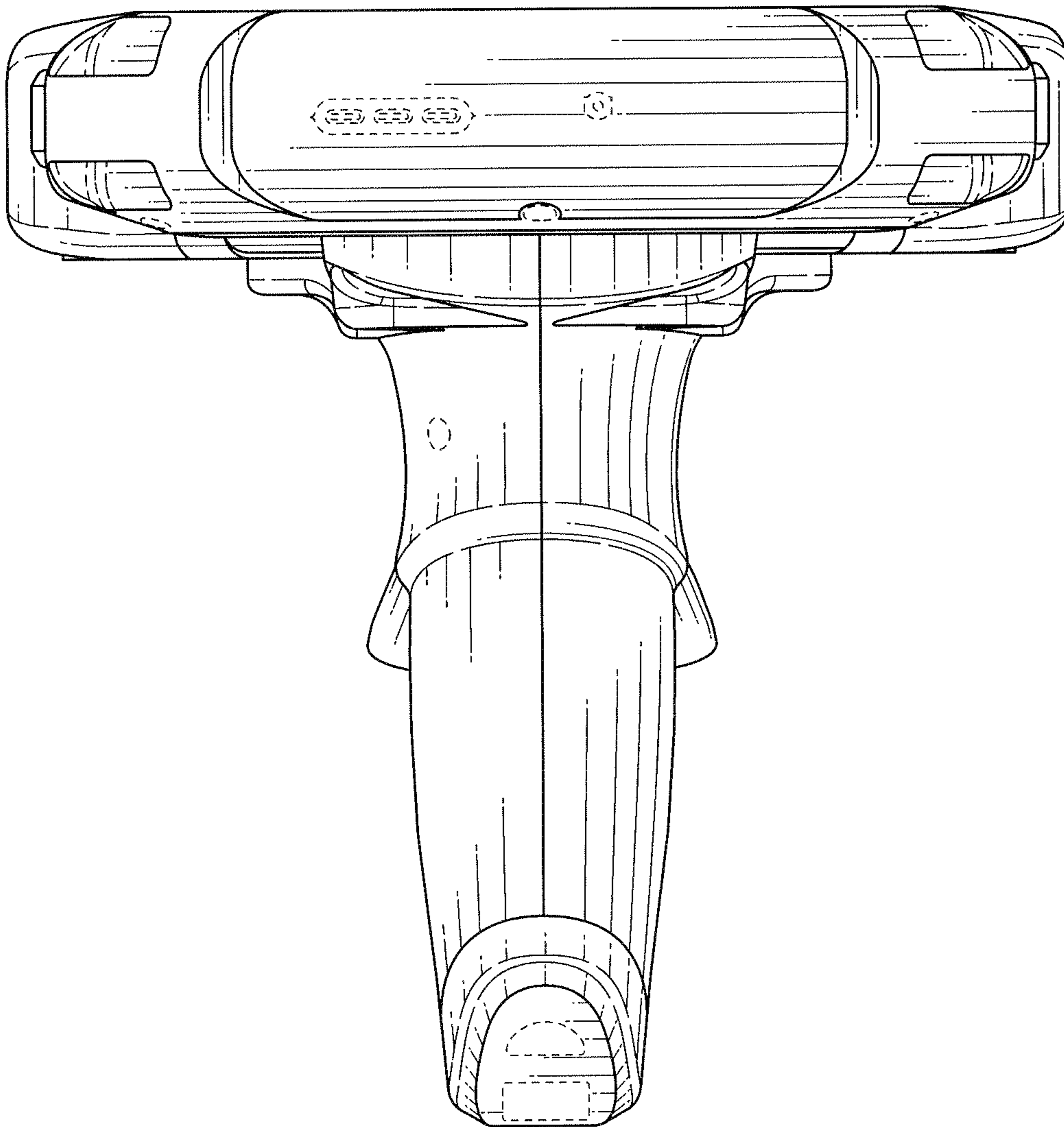


FIG. 14