



US00D909383S

(12) **United States Design Patent**
Sanders et al.

(10) **Patent No.:** **US D909,383 S**
(45) **Date of Patent:** **** Feb. 2, 2021**

(54) **HANDHELD COMPUTER DEVICE HOUSING**

(71) Applicant: **Trimble Inc.**, Sunnyvale, CA (US)

(72) Inventors: **Michael George Sanders**, Christchurch (NZ); **Jonathan Musch**, Albany, OR (US); **Gerald Steiger**, Corvallis, OR (US); **Katherine Allen**, Albany, OR (US); **Mathias Roehring**, Christchurch (NZ); **Karl Forsberg**, Stockholm (SE); **Markus Stridsberg**, Stockholm (SE); **Niklas Briheim**, Stockholm (SE); **Jungha Lee**, Solna (KR); **Chen-Cheng Su**, New Taipei (TW); **Chia Hung Wu**, New Taipei (TW); **Yu Juei Chang**, New Taipei (TW)

(73) Assignee: **Trimble Inc.**, Sunnyvale, CA (US)

(**) Term: **15 Years**

(21) Appl. No.: **29/639,473**

(22) Filed: **Mar. 6, 2018**

(51) **LOC (13) Cl.** **14-02**

(52) **U.S. Cl.**
USPC **D14/426; D14/347**

(58) **Field of Classification Search**
USPC D14/315–318, 341–347, 420, 426, 240, D14/129–130, 496, 137, 138 R, 138 AA, D14/138 AB, 138 AC, 138 AD, 138 C, D14/138 G, 147, 203.1–203.8, 218, 247, D14/371, 248, 388–389, 374, 429, 453; D6/308, 310; D10/104.1, 50, 65; D18/6–7; D19/26, 59, 60; D21/324, D21/329, 330, 332
CPC G06F 1/1626; G06F 1/1613; G06F 3/0488; G06F 3/04886; G06F 3/041; G06F 3/0412; G06F 3/0416; H04M 1/725; H04M 1/0202; H04M 1/0266

See application file for complete search history.

(56) **References Cited**

U.S. PATENT DOCUMENTS

D308,359 S * 6/1990 Lauchnor D13/164
D342,723 S * 12/1993 Fenkart D14/347

D357,240 S * 4/1995 Kitazumi D14/429
D363,470 S * 10/1995 Yamamoto D14/347
(Continued)

FOREIGN PATENT DOCUMENTS

EM 005624764-0001 * 9/2018

OTHER PUBLICATIONS

Trimble Ranger 7 Rugged Handheld Computer, announced Apr. 2018 [online], [retrieved Jun. 25, 2020]. Available from Internet, URL: <http://ruggedpereview.com/3_slates_trimble_ranger_7.html> (Year: 2018).*

(Continued)

Primary Examiner — Dana K Weiland

(74) *Attorney, Agent, or Firm* — Kilpatrick Townsend & Stockton LLP

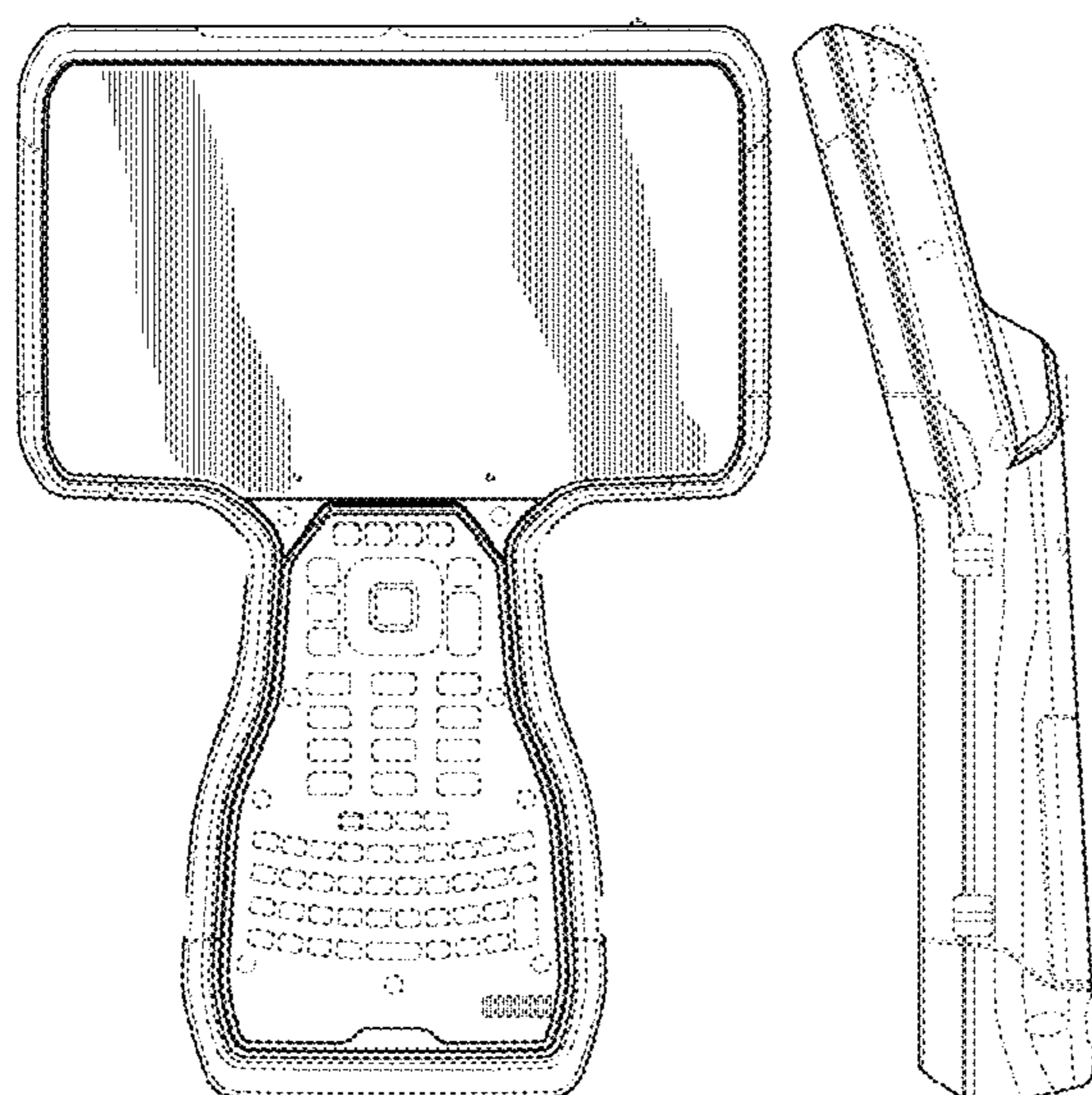
(57) **CLAIM**

The ornamental design for a handheld computer device housing, as shown and described.

DESCRIPTION

FIG. 1 is a front perspective view of a handheld computer device housing, showing the new design; FIG. 2 is a back perspective view thereof; FIG. 3 is a front elevational view thereof; FIG. 4 is a back elevational view thereof; FIG. 5 is a bottom plan view thereof; FIG. 6 is a top plan view thereof; FIG. 7 is a left side elevational view thereof; and, FIG. 8 is a right side elevational view thereof. The broken lines shown in the drawings depict portions of the handheld computer device housing that form no part of the claimed design.

1 Claim, 4 Drawing Sheets



(56)

References Cited

U.S. PATENT DOCUMENTS

5,657,052 A * 8/1997 Lerude G06F 1/1626
 341/22
 D386,152 S * 11/1997 Warneke D14/347
 D430,157 S * 8/2000 Price D14/341
 D447,141 S * 8/2001 Itoh D14/385
 D477,598 S * 7/2003 Mathiowetz D14/347
 D490,731 S * 6/2004 Bradford D10/78
 D522,504 S * 6/2006 Steiger D14/347
 D613,863 S * 4/2010 Chen D24/138
 D664,543 S * 7/2012 Peskin D14/426
 D676,080 S * 2/2013 Van Den Broecke D18/14
 D677,663 S * 3/2013 Minafo D14/429
 D704,711 S * 5/2014 Minafo D14/426
 D714,167 S * 9/2014 Hyllbrant D10/46
 D754,663 S * 4/2016 Graves D14/426
 D765,252 S * 8/2016 Emeric D24/169
 D766,843 S * 9/2016 Fretz D13/168
 2007/0001074 A1 * 1/2007 Choi B60R 11/0252
 248/220.21
 2009/0270136 A1 * 10/2009 Su H01M 2/1066
 455/572

OTHER PUBLICATIONS

U.S. Appl. No. 29/733,289 Non-Final Office Action dated Jul. 23,
 2020, 9 pages.

* cited by examiner

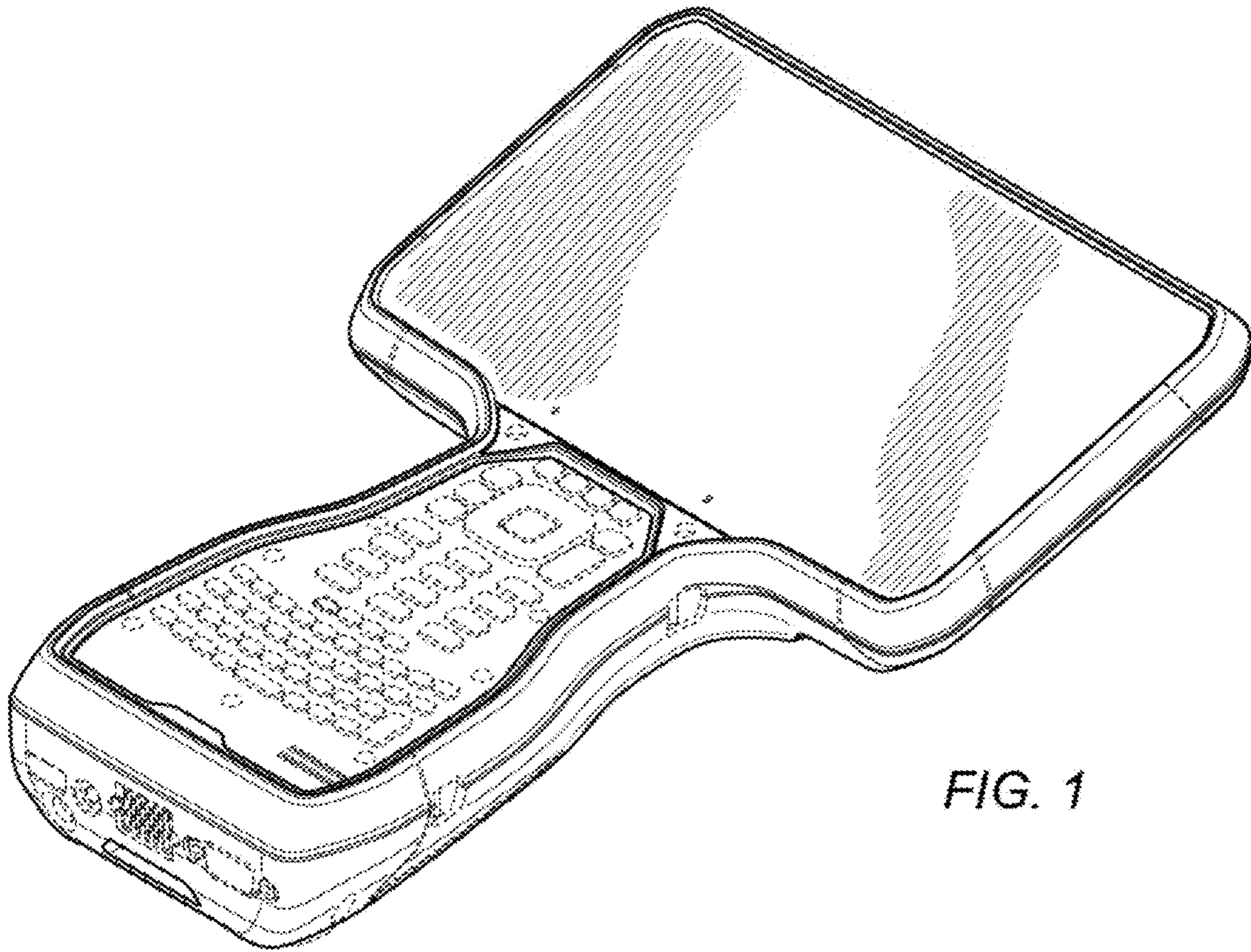


FIG. 1

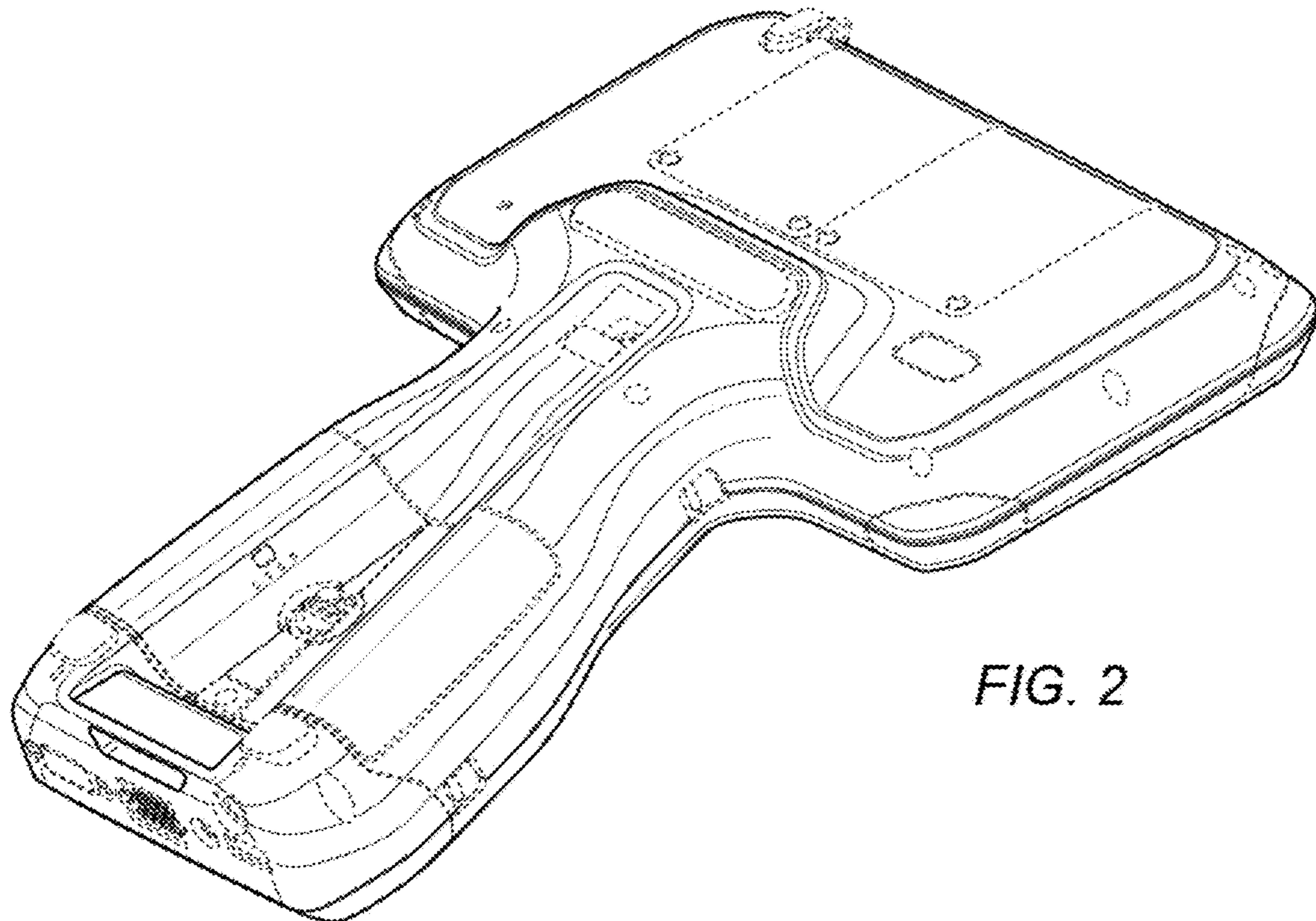


FIG. 2

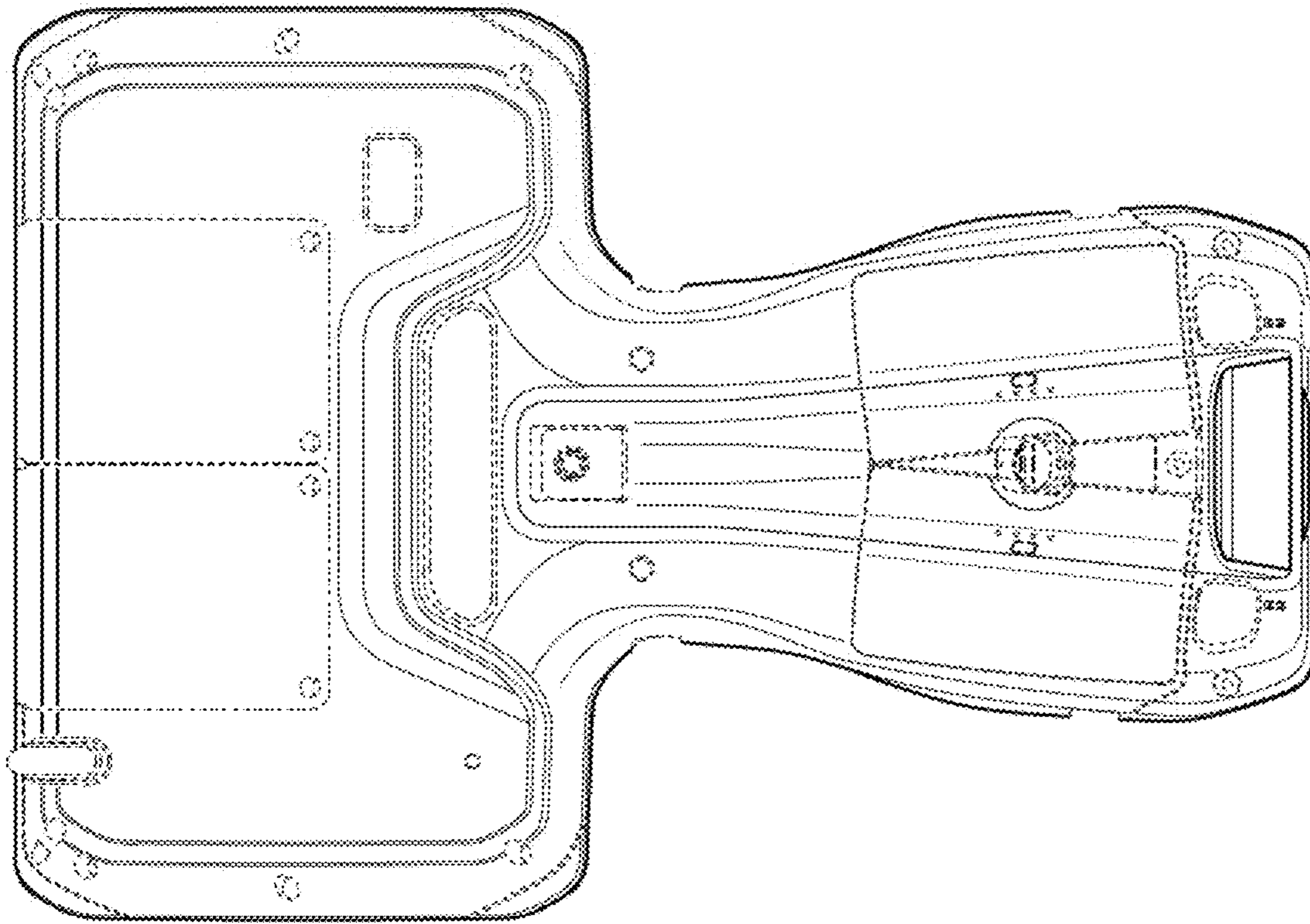


FIG. 4

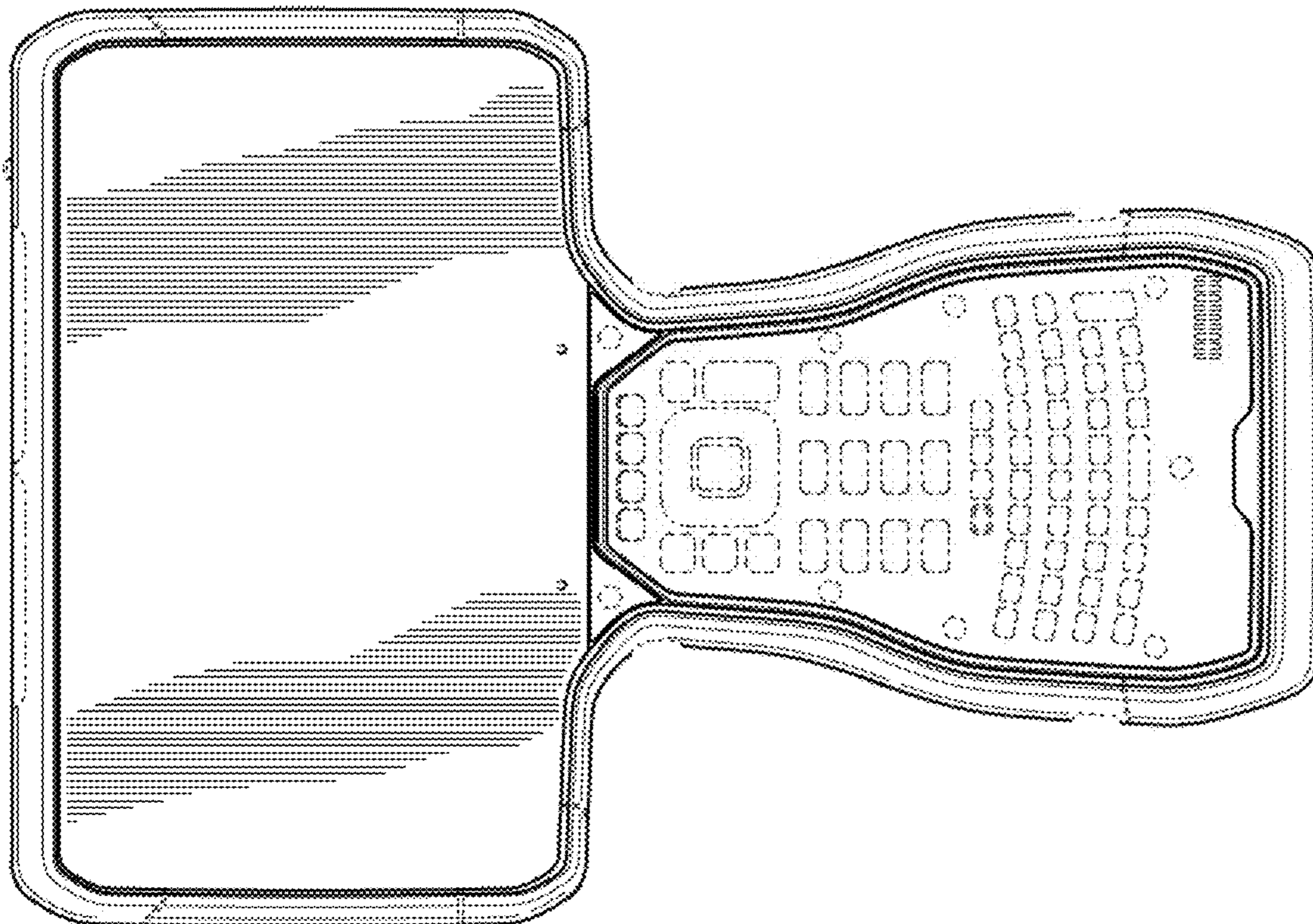


FIG. 3

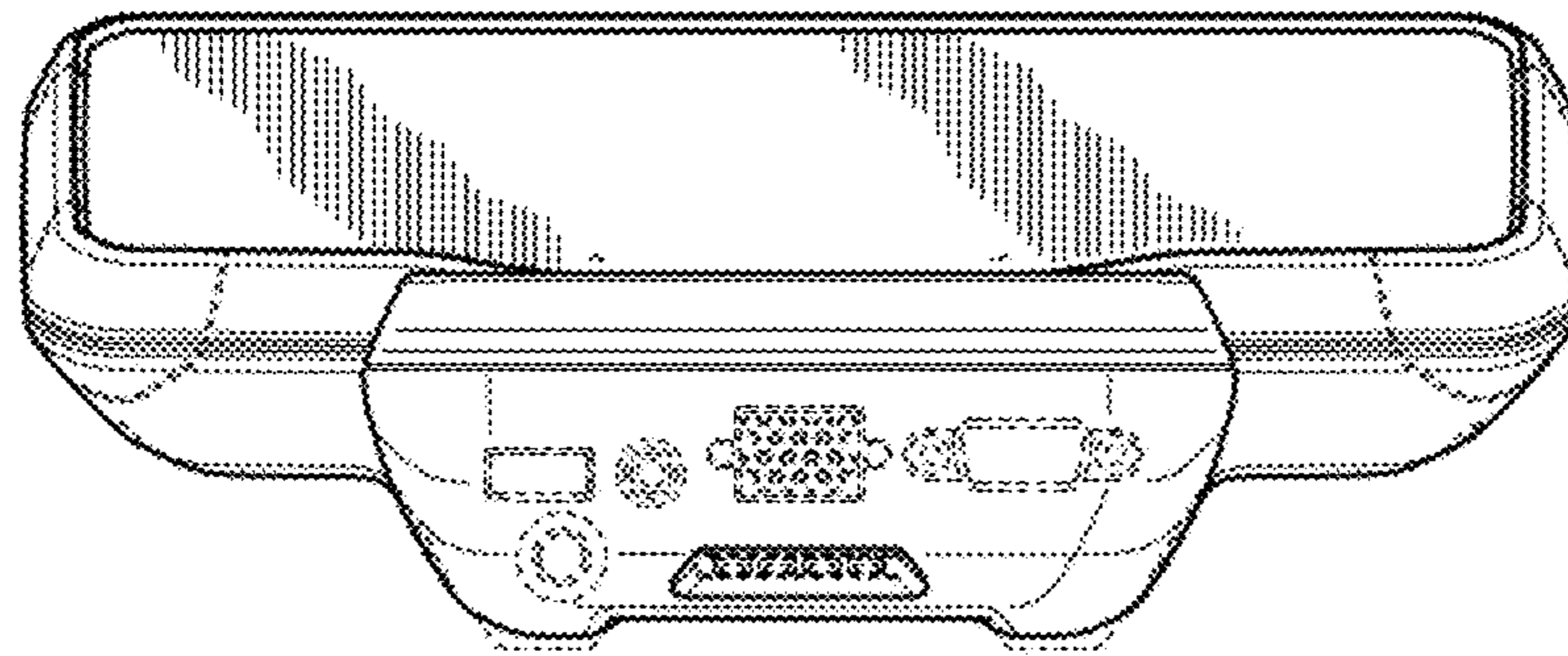


FIG. 5

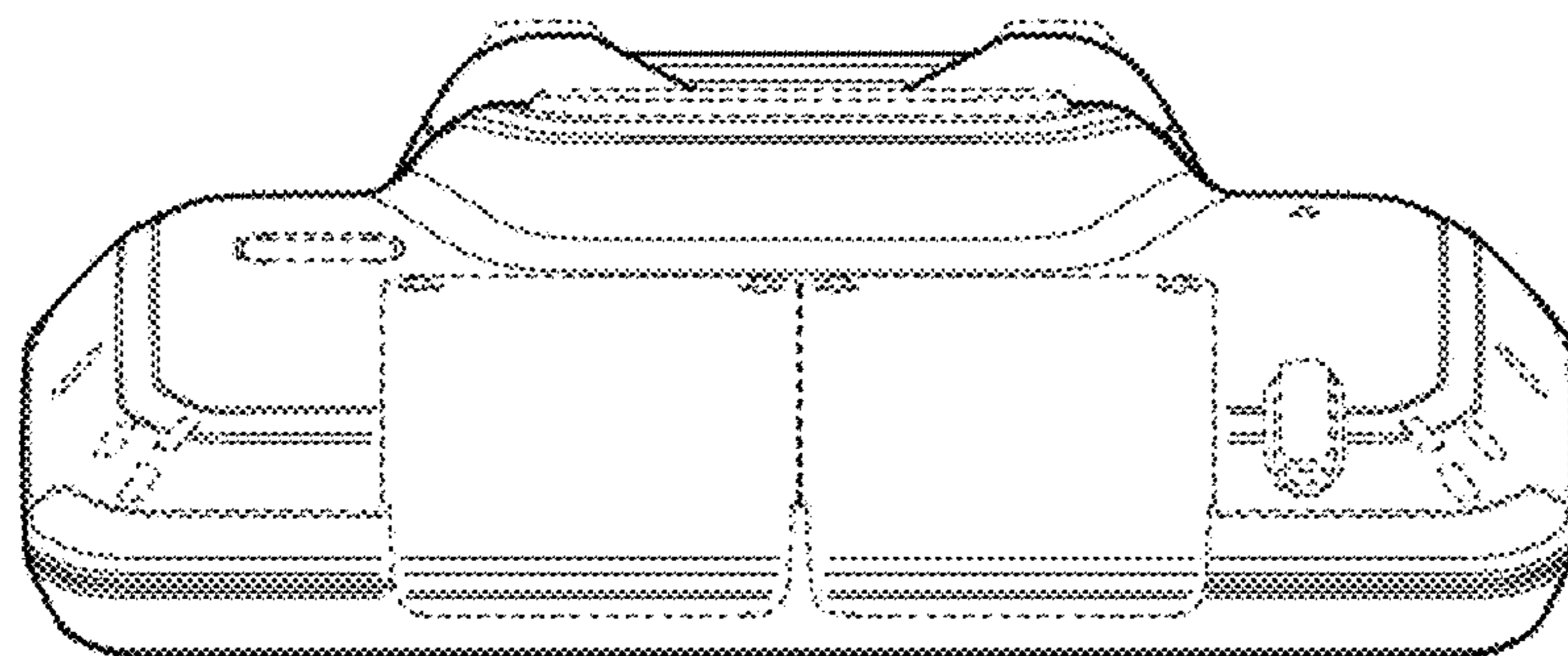


FIG. 6

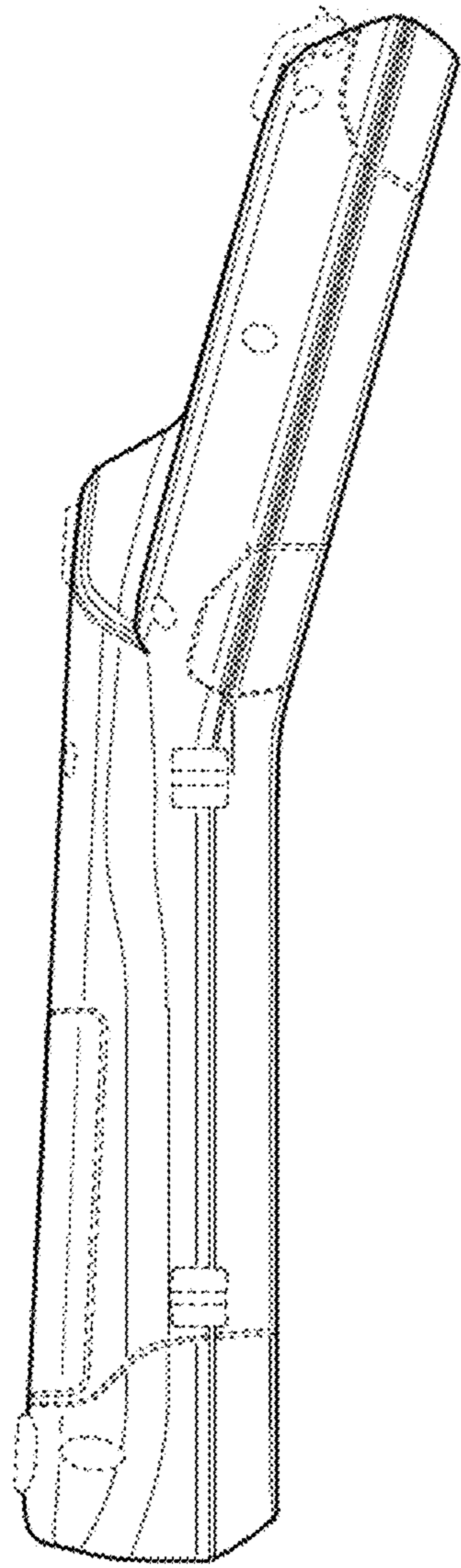


FIG. 7

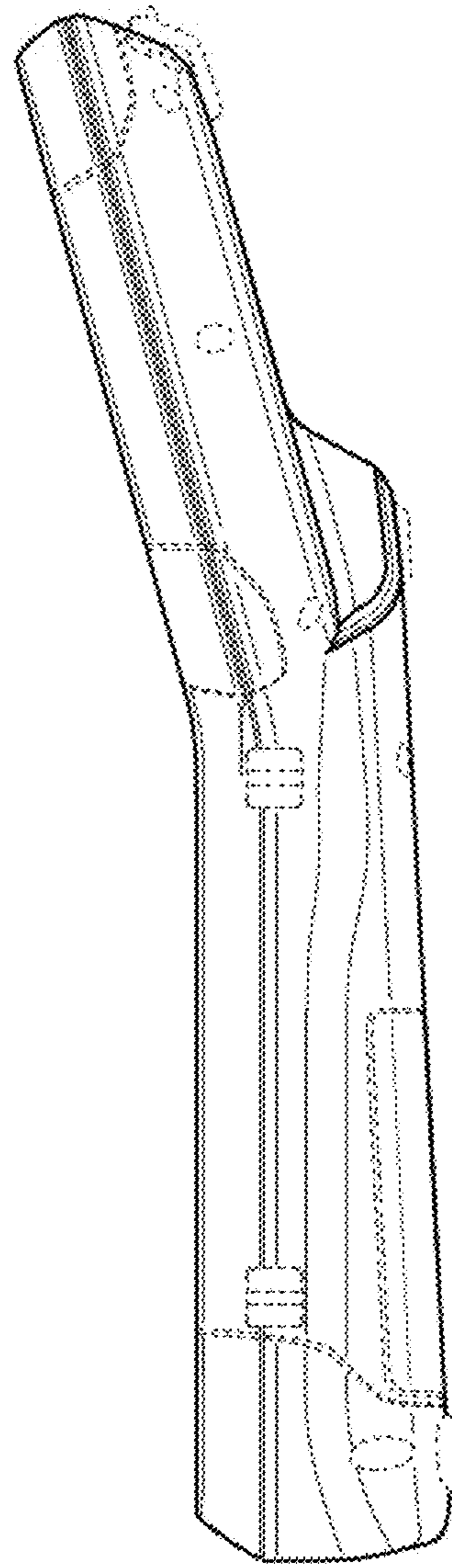


FIG. 8