



US00D909382S

(12) **United States Design Patent**  
**Lu et al.**

(10) **Patent No.:** **US D909,382 S**

(45) **Date of Patent:** **\*\* Feb. 2, 2021**

(54) **MOUSE PEN**

(71) Applicant: **Shenzhen Puluomi Technology Co., Ltd, Shenzhen (CN)**

(72) Inventors: **Yousong Lu, Shenzhen (CN); Yanqun Fan, Shenzhen (CN)**

(\*\*) Term: **15 Years**

(21) Appl. No.: **29/744,368**

(22) Filed: **Jul. 28, 2020**

(51) **LOC (13) Cl.** ..... **14-02**

(52) **U.S. Cl.**  
USPC ..... **D14/411**

(58) **Field of Classification Search**  
USPC ..... D14/372, 496, 432, 371, 125, 126, 129, D14/299, 411; D16/300-342; 351/158, 351/153, 144; 345/7-9, 905; 455/344; 348/115, 53, 121, 739  
CPC ..... G02B 27/017; G06F 3/016; G06F 3/033; G06F 3/0317; G06F 3/03545; G06F 3/041; G06K 9/222  
See application file for complete search history.

(56) **References Cited**

**U.S. PATENT DOCUMENTS**

D332,446 S \* 1/1993 Lin ..... D14/411  
D695,741 S \* 12/2013 Wang ..... D14/411  
D709,886 S \* 7/2014 Lin ..... D14/411  
D754,129 S \* 4/2016 Kao ..... D14/411  
D758,988 S \* 6/2016 An ..... D14/138 R  
D762,645 S 8/2016 Cavallaro

D786,872 S \* 5/2017 Akers, Jr. .... D14/411  
D802,592 S \* 11/2017 Varghese ..... D14/411  
D832,840 S \* 11/2018 Shi ..... D14/411  
D879,098 S \* 3/2020 Wu ..... D14/411  
D892,118 S \* 8/2020 Yeo ..... D14/411  
D895,619 S \* 9/2020 Harju ..... D14/411

\* cited by examiner

*Primary Examiner* — Austin Murphy  
(74) *Attorney, Agent, or Firm* — ZANIP

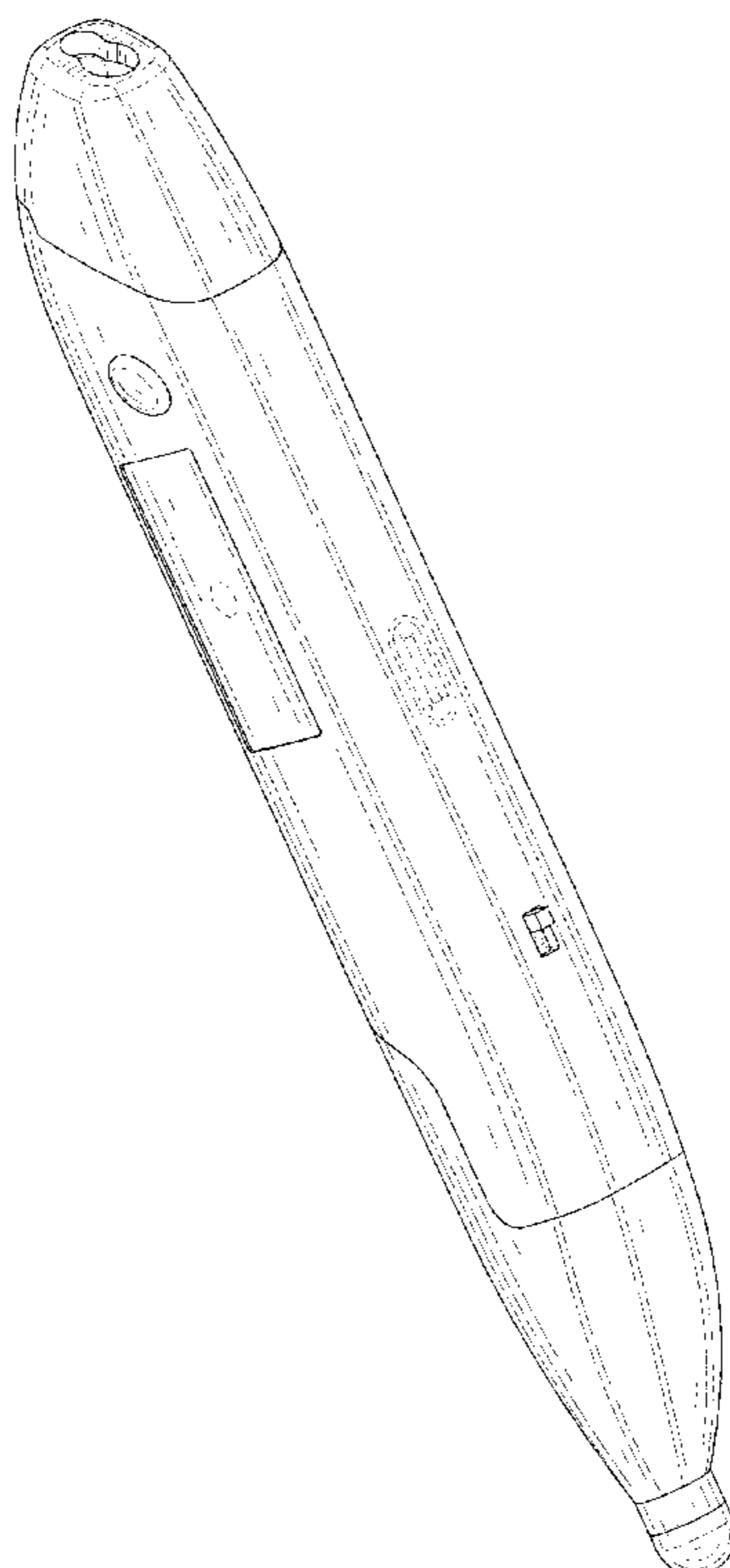
(57) **CLAIM**

The ornamental design for a mouse pen, as shown and described.

**DESCRIPTION**

FIG. 1 is a front and top perspective view of a mouse pen, showing our new design;  
FIG. 2 is a rear and bottom perspective view thereof;  
FIG. 3 is a front elevational view thereof;  
FIG. 4 is a rear elevational view thereof;  
FIG. 5 is a left side elevational view thereof;  
FIG. 6 is a right side elevational view thereof;  
FIG. 7 is a top plan view thereof;  
FIG. 8 is a bottom plan view thereof;  
FIG. 9 is a perspective view thereof, showing the mouse pen connected with a base; and,  
FIG. 10 is an enlarged view of a portion indicated in FIG.1. The dashed broken lines in the figures illustrate portions of the mouse pen, that form no part of the claimed design. The dash, dot dash lines in FIGS. 1 and 10 are for the purpose of depicting the cut line of the enlarged view and form no part of the claim.

**1 Claim, 10 Drawing Sheets**



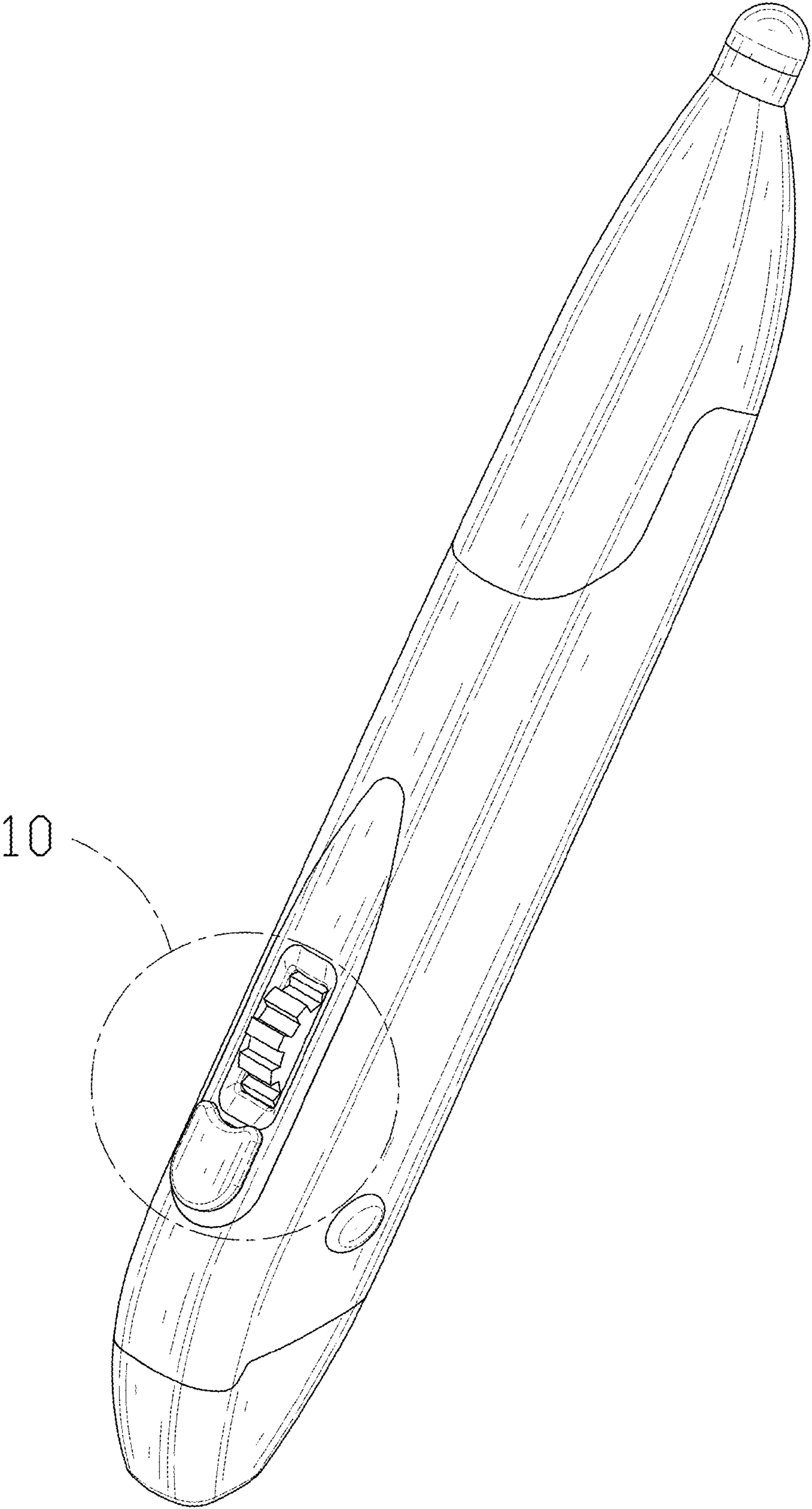


FIG. 1

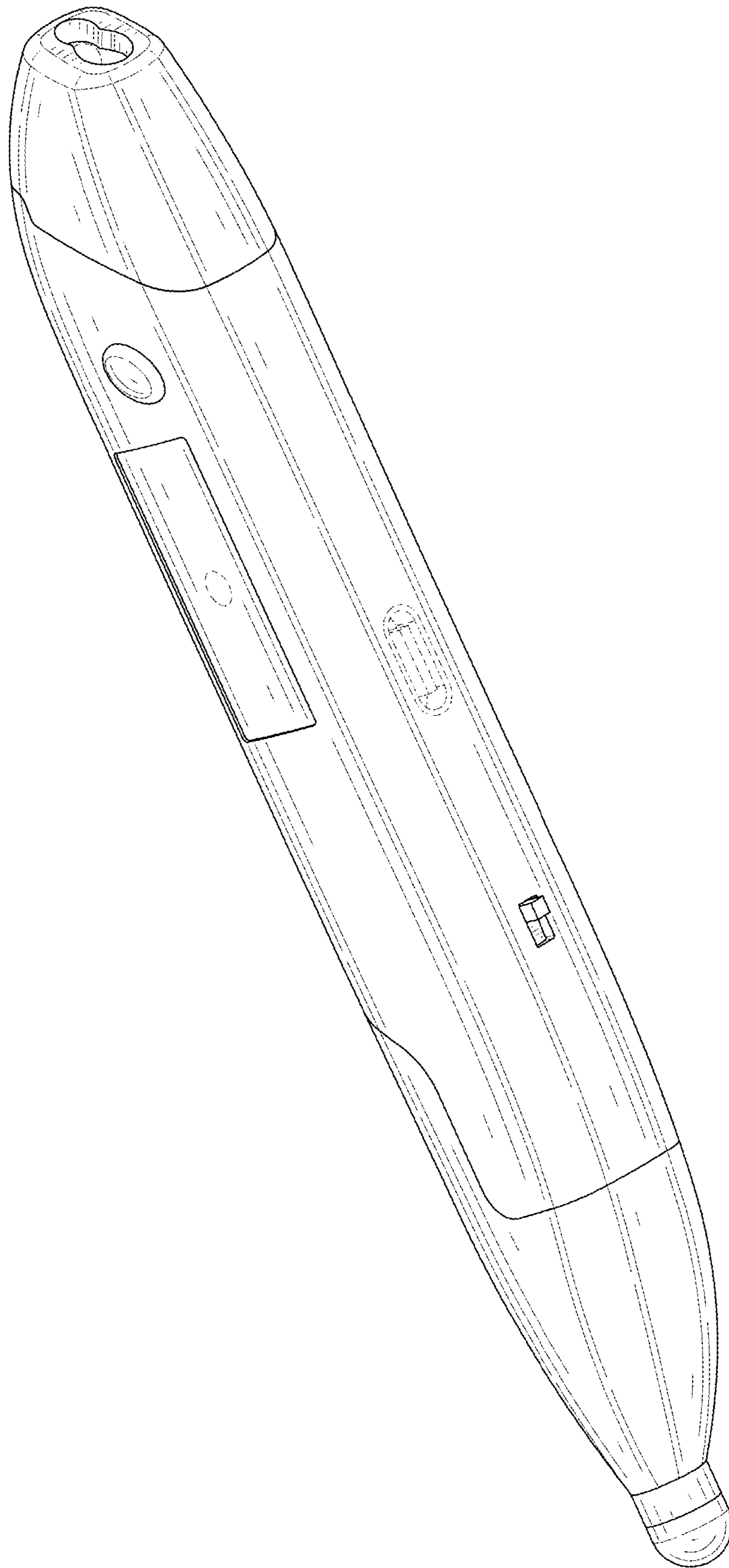


FIG. 2

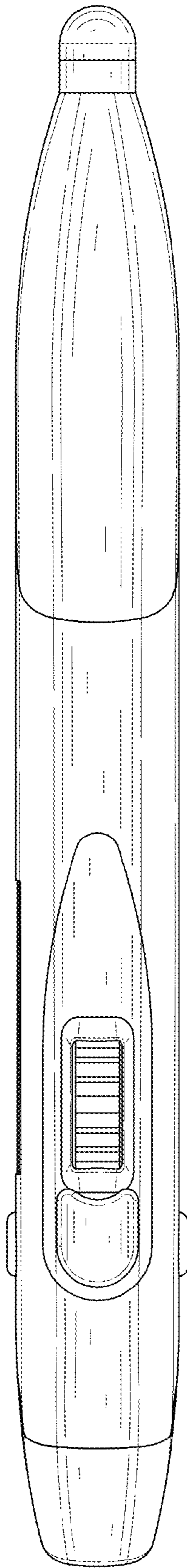


FIG. 3

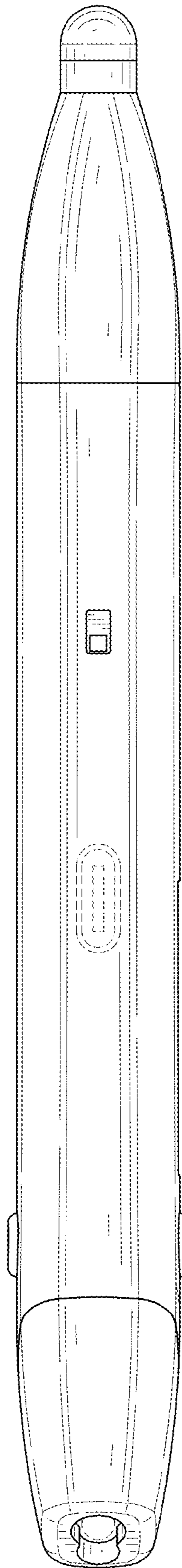


FIG. 4

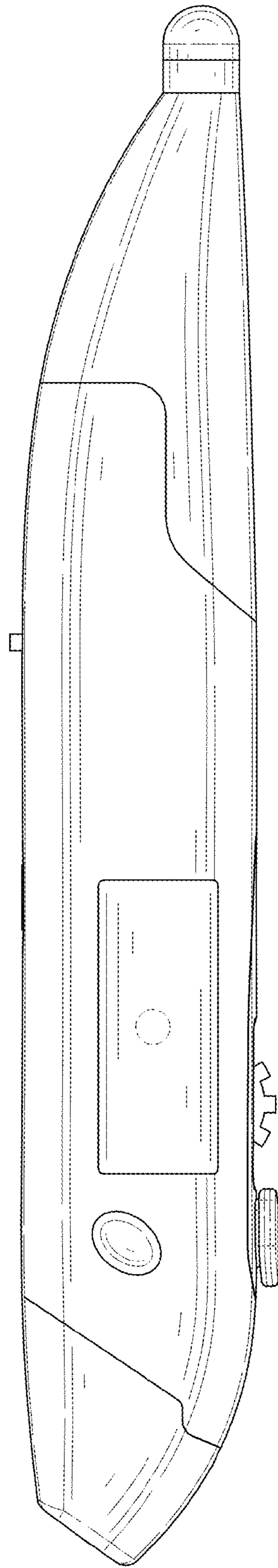


FIG. 5

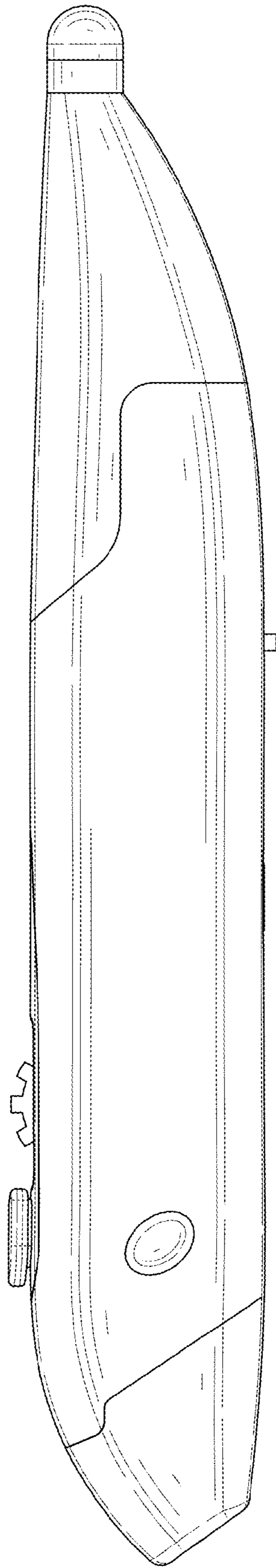


FIG. 6

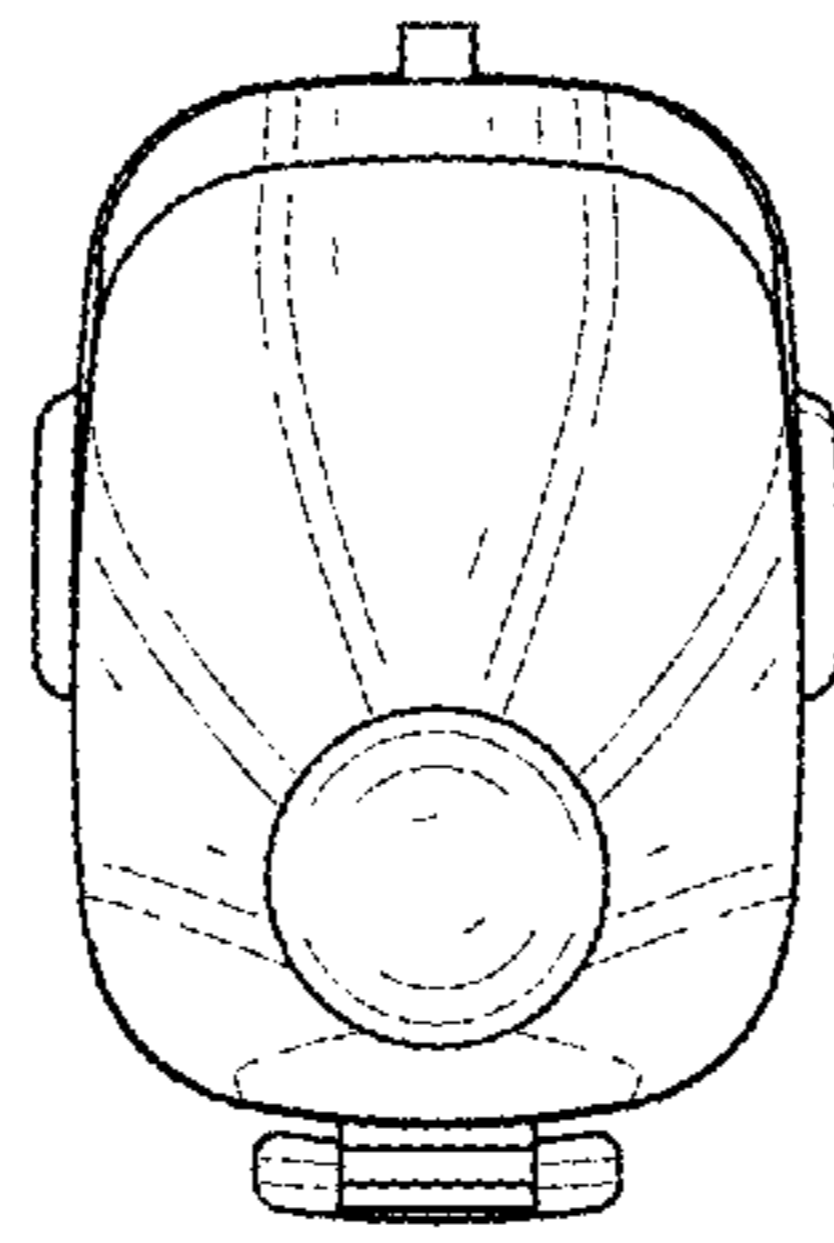


FIG. 7



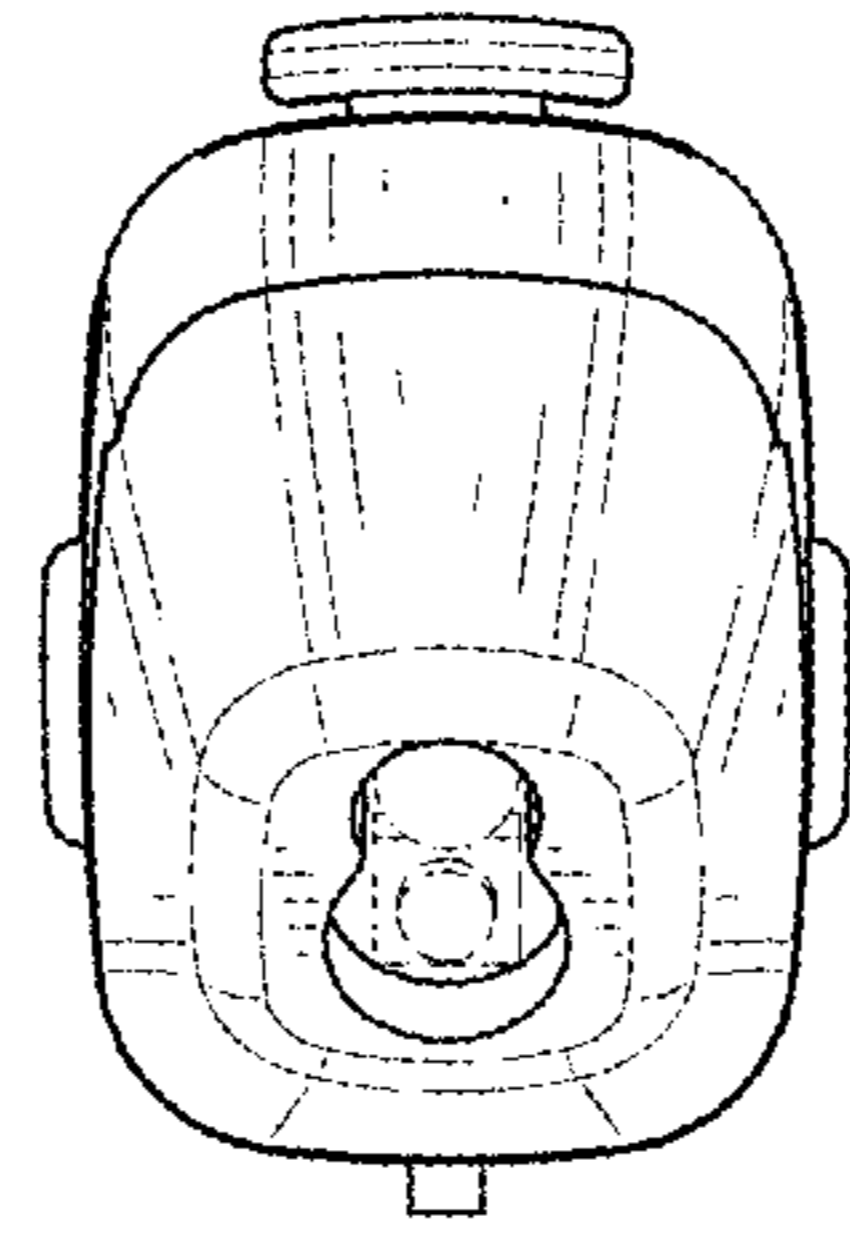


FIG. 8

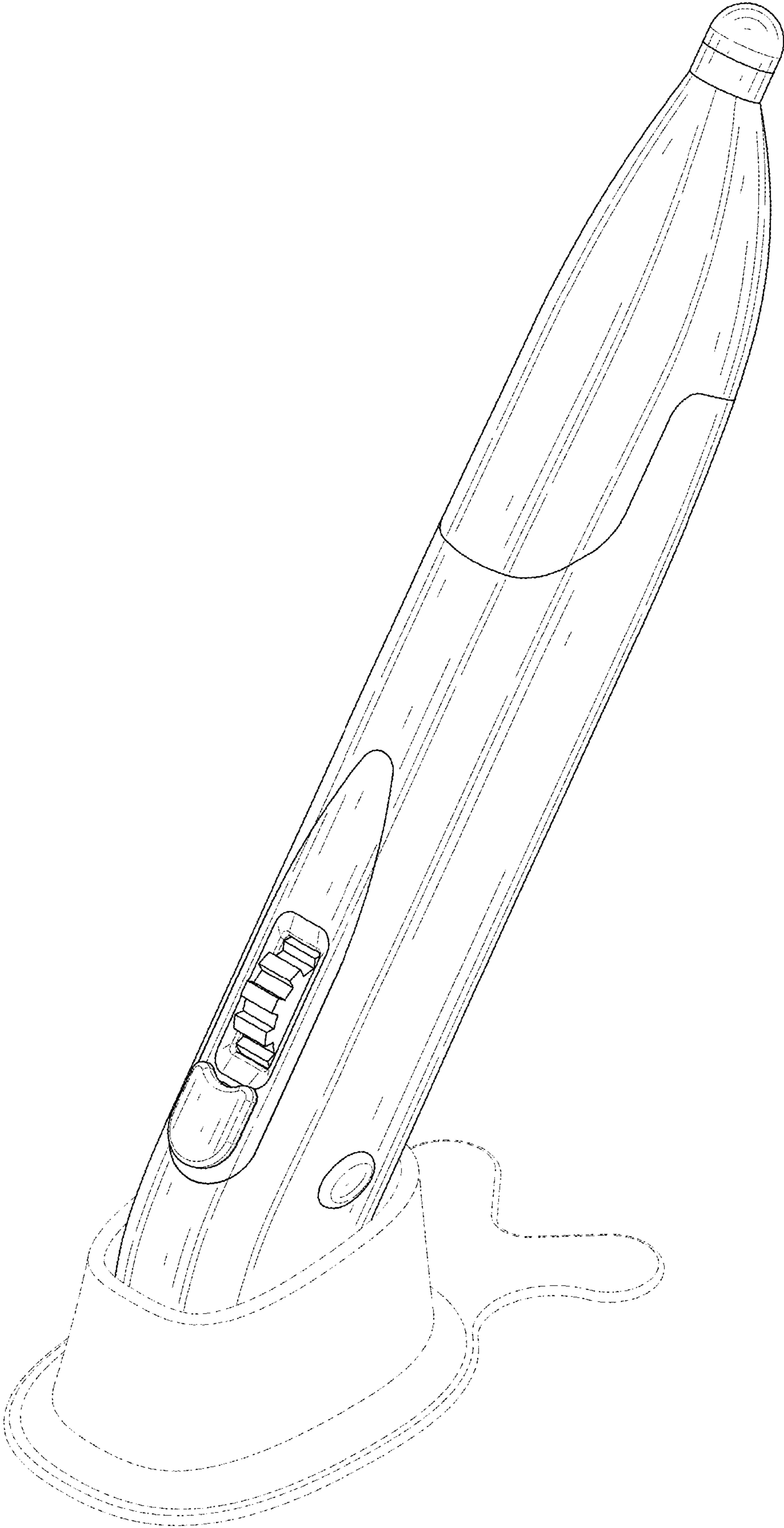


FIG. 9

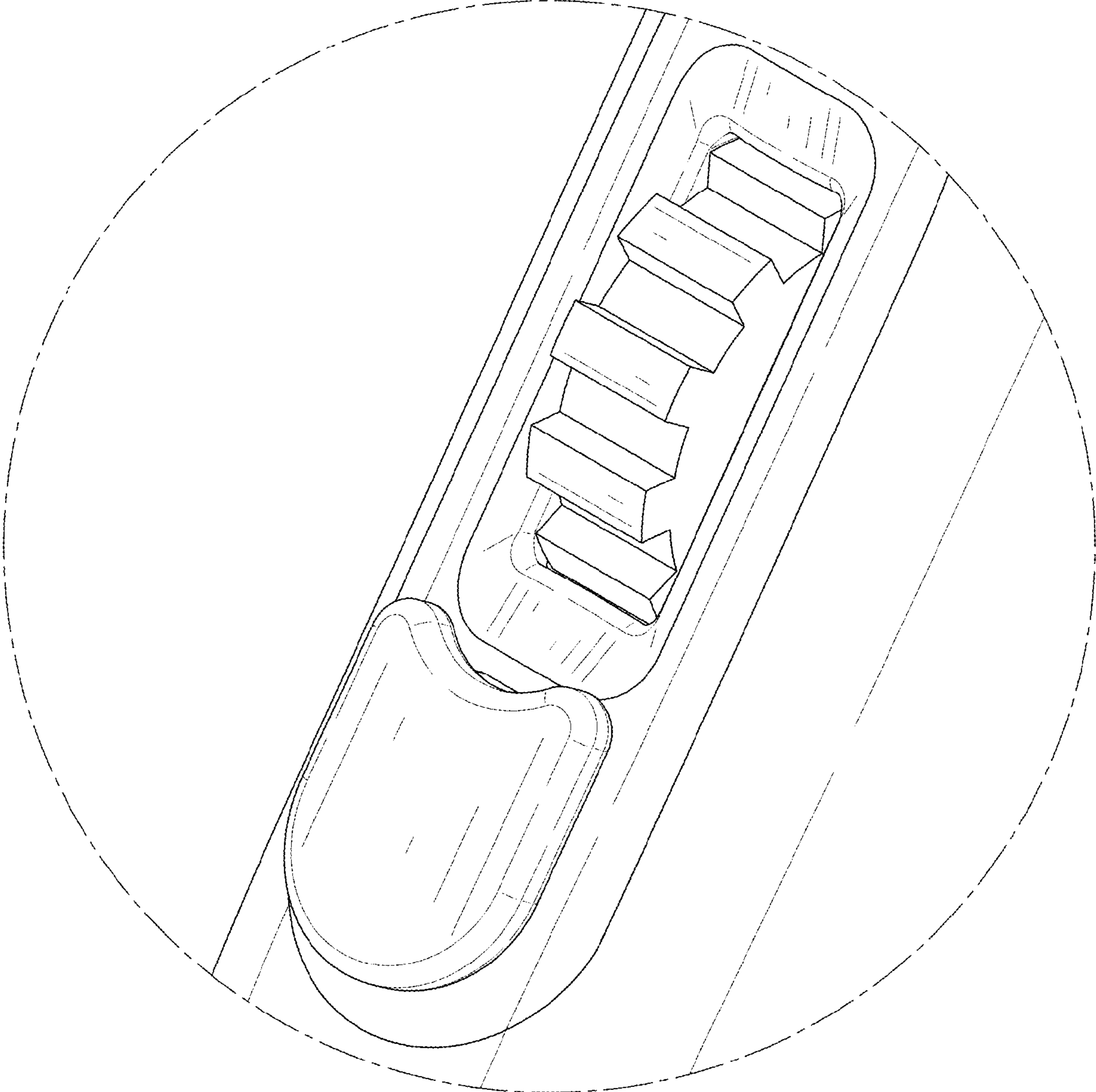


FIG. 10