

US00D909380S

(12) **United States Design Patent** (10) **Patent No.:** **US D909,380 S**  
**Liu** (45) **Date of Patent:** **\*\* Feb. 2, 2021**

(54) **ACTIVE STYLUS**  
(71) Applicant: **Hao Liu**, Guangdong (CN)  
(72) Inventor: **Hao Liu**, Guangdong (CN)  
(\*\*) Term: **15 Years**  
(21) Appl. No.: **29/701,833**  
(22) Filed: **Aug. 15, 2019**  
(51) **LOC (13) Cl.** ..... **14-02**  
(52) **U.S. Cl.**  
USPC ..... **D14/411**  
(58) **Field of Classification Search**  
USPC ..... D14/372, 496, 432, 371, 125, 126, 129,  
D14/299, 411; D16/300-342; 351/158,  
351/153, 144; 345/7-9, 905; 455/344;  
348/115, 53, 121, 739  
CPC ..... G02B 27/017; G06F 3/016; G06F 3/033;  
G06F 3/0317; G06F 3/03545; G06F  
3/041; G06K 9/222  
See application file for complete search history.

(56) **References Cited**  
U.S. PATENT DOCUMENTS  
D383,780 S \* 9/1997 Young ..... D19/166  
D501,877 S \* 2/2005 Granick ..... D19/186  
D641,755 S \* 7/2011 Rashid ..... D14/411  
D660,910 S \* 5/2012 Carpenter ..... D19/133  
D681,113 S \* 4/2013 Huang ..... D19/185  
D685,430 S \* 7/2013 Zhang ..... D19/186

D688,665 S \* 8/2013 Huang ..... D14/411  
D744,038 S \* 11/2015 Wang ..... D19/182  
D768,133 S \* 10/2016 Reed ..... D14/411  
D797,741 S \* 9/2017 Cebe ..... D14/411  
D825,566 S \* 8/2018 Peterson ..... D14/411  
D851,704 S \* 6/2019 Vadenne ..... D19/195  
D863,436 S \* 10/2019 Thies ..... D19/186  
D864,298 S \* 10/2019 Li ..... D19/177  
D879,778 S \* 3/2020 Nakajima ..... D14/411  
D894,902 S \* 9/2020 Nishida ..... D14/411  
D896,810 S \* 9/2020 Akana ..... D14/411

\* cited by examiner

*Primary Examiner* — Austin Murphy

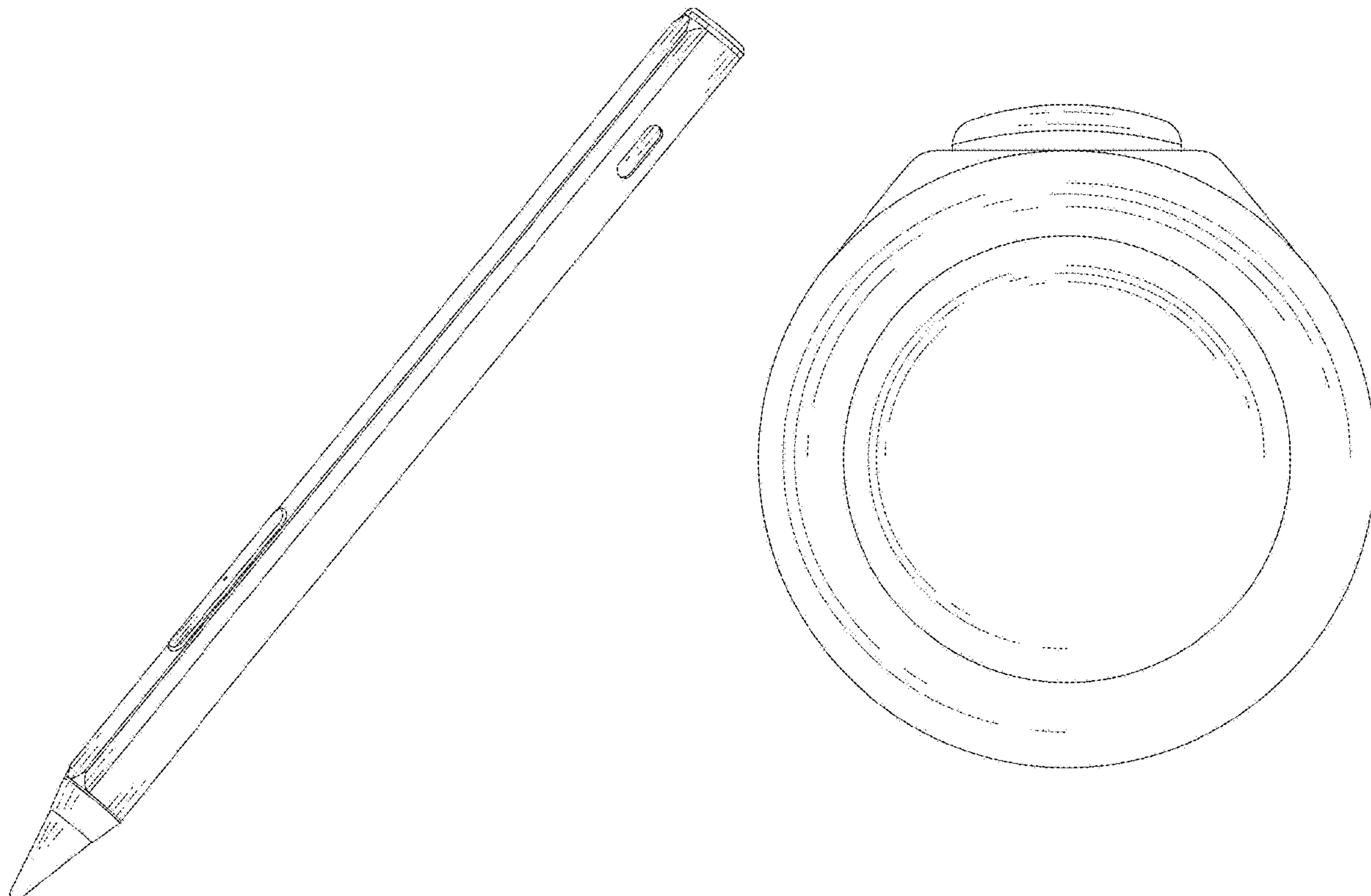
(57) **CLAIM**

The ornamental design for an active stylus, as shown and described.

**DESCRIPTION**

FIG. 1 is a perspective view of an active stylus showing my new design;  
FIG. 2 is a front elevation view thereof;  
FIG. 3 is a rear elevation view thereof;  
FIG. 4 is a left side elevation view thereof;  
FIG. 5 is a right side elevation view thereof;  
FIG. 6 is a top plan view thereof, shown enlarged in scale; and,  
FIG. 7 is a bottom plan view thereof, shown enlarged in scale.  
The broken lines depict portions of the active stylus which form no part of the claimed design.

**1 Claim, 7 Drawing Sheets**



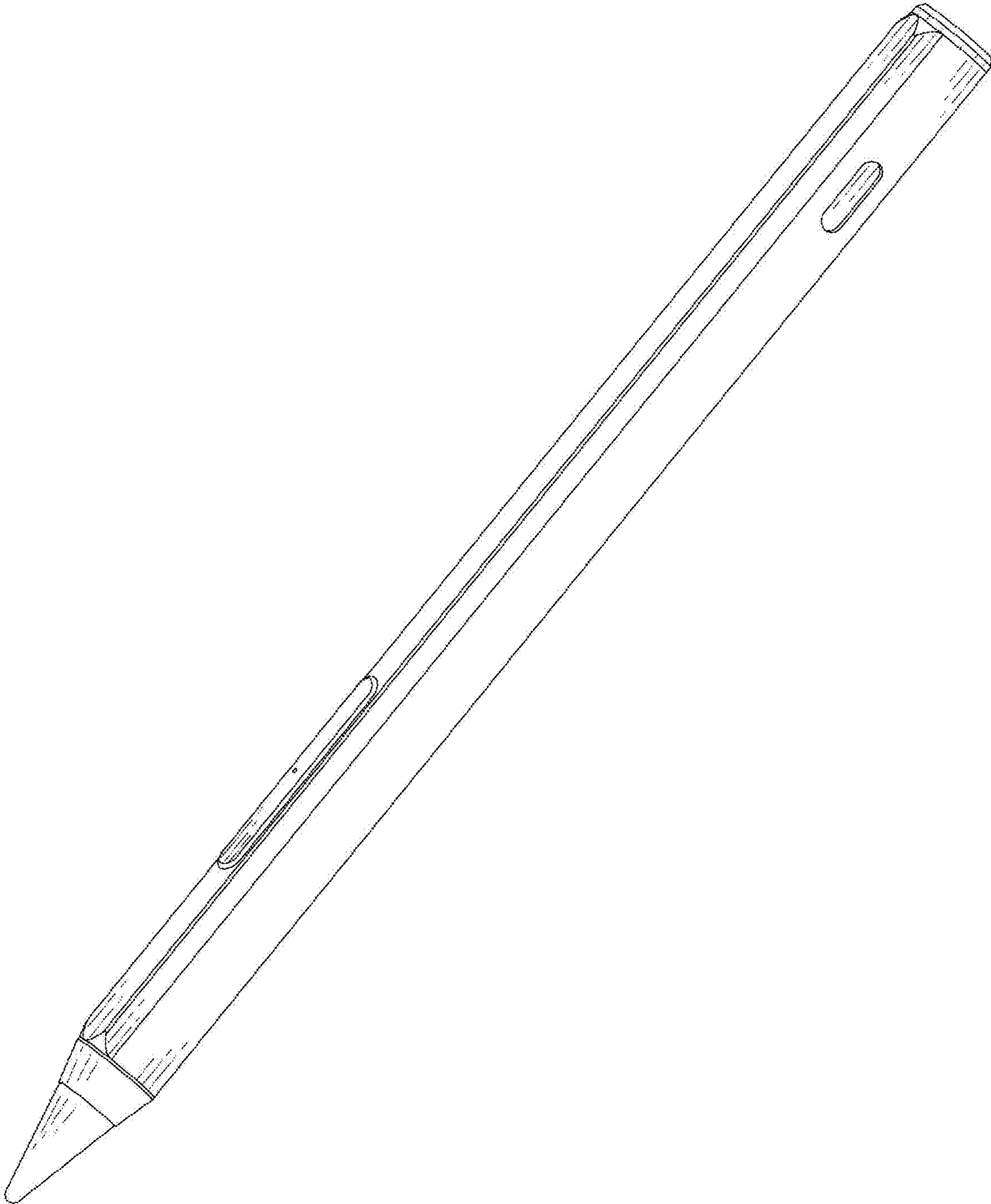


FIG.1

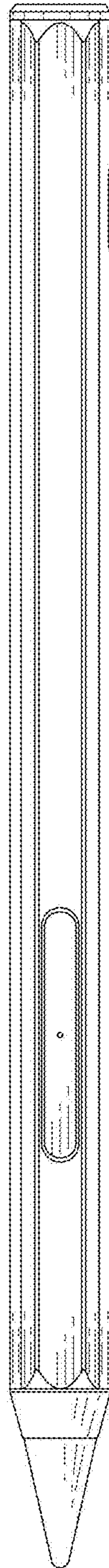


FIG.2



FIG.3

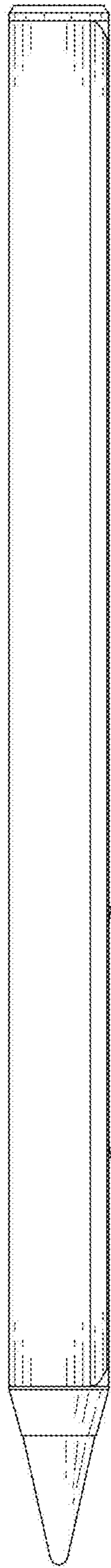


FIG.4



FIG. 5

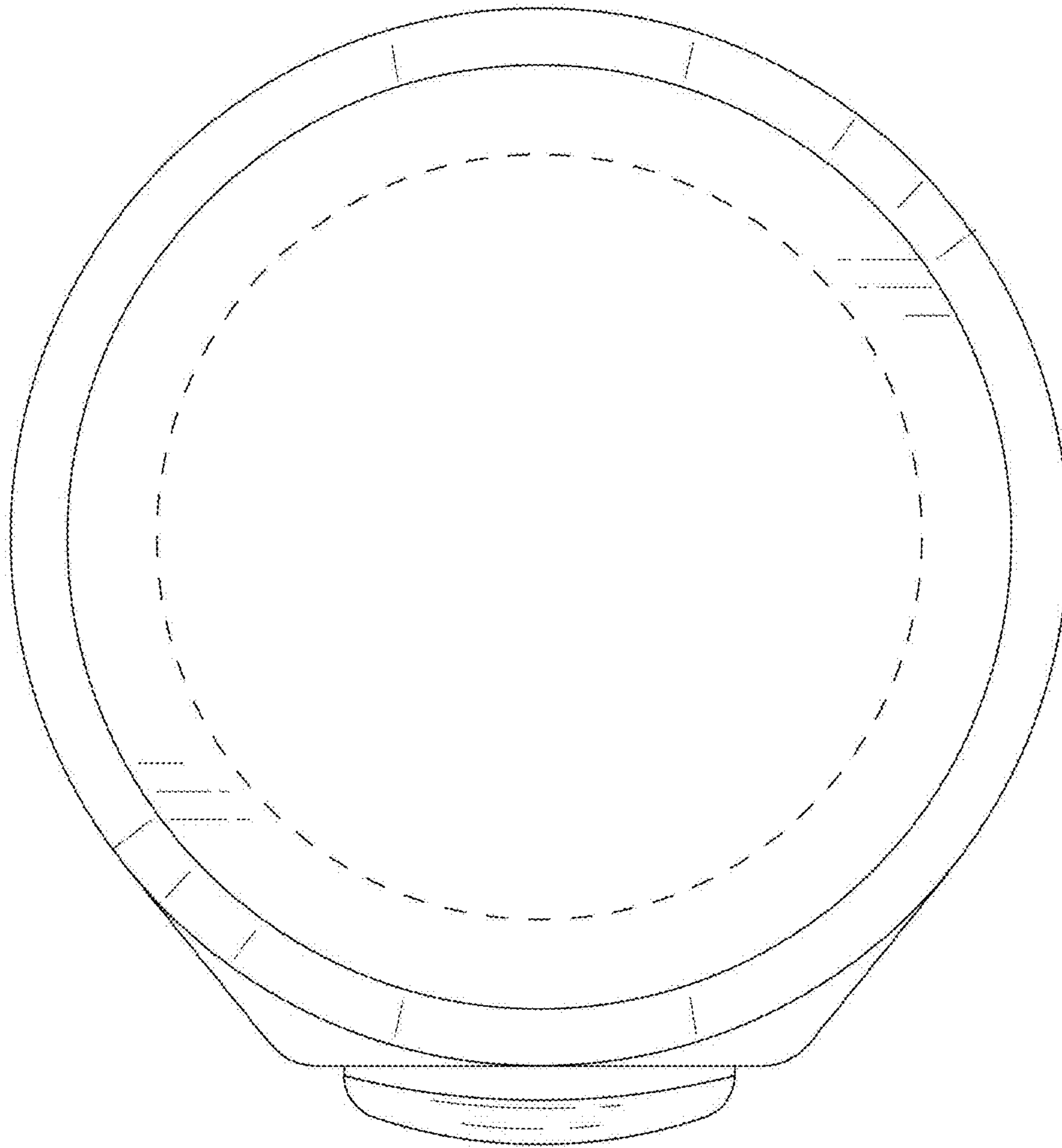


FIG. 6



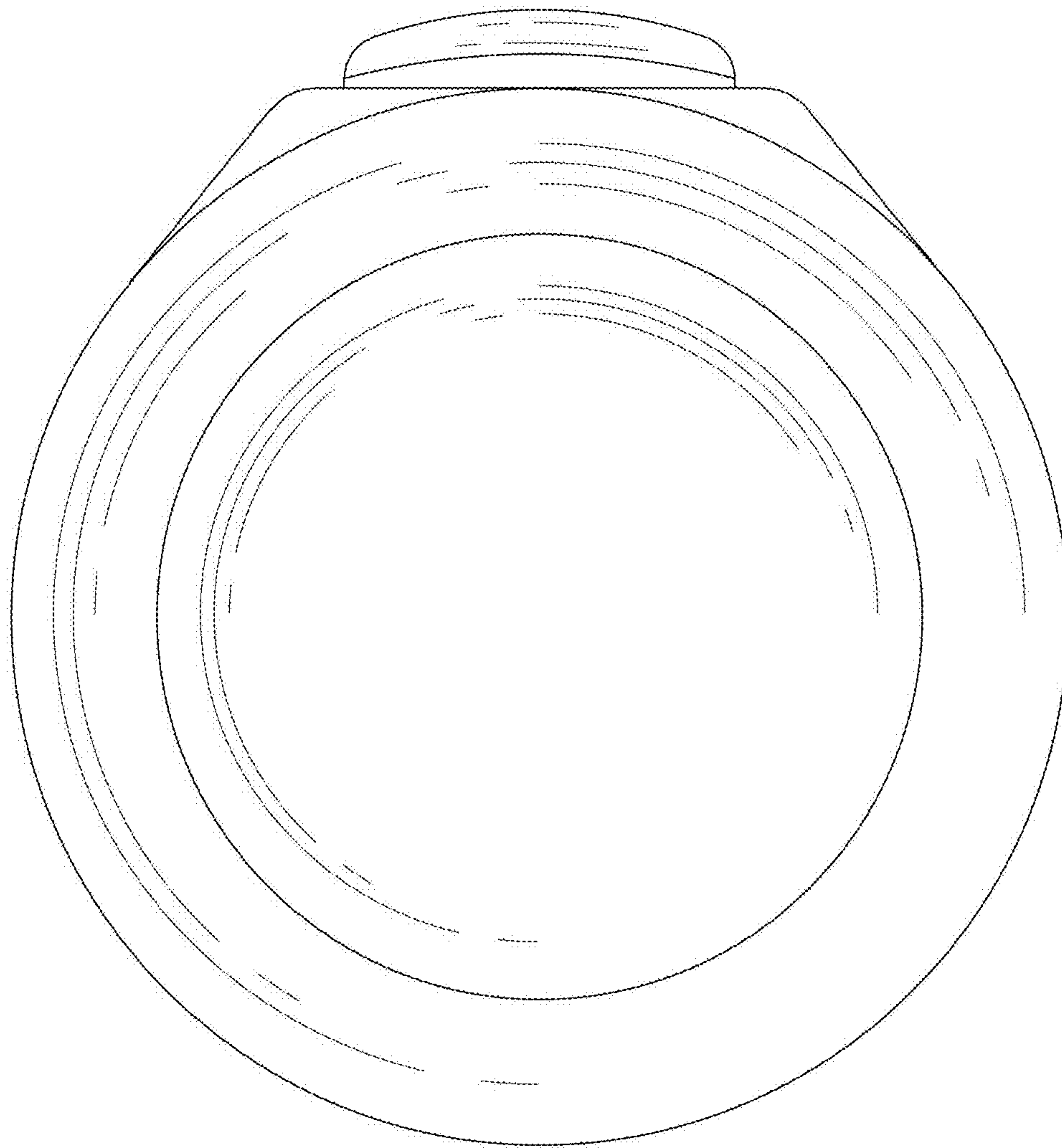


FIG. 7