



US00D909378S

(12) **United States Design Patent**
Huang

(10) **Patent No.:** **US D909,378 S**

(45) **Date of Patent:** **** Feb. 2, 2021**

(54) **ACTIVE STYLUS**

(71) Applicant: **Ling Huang**, Guangdong (CN)

(72) Inventor: **Ling Huang**, Guangdong (CN)

(**) Term: **15 Years**

(21) Appl. No.: **29/697,424**

(22) Filed: **Jul. 8, 2019**

(51) **LOC (13) Cl.** **14-02**

(52) **U.S. Cl.**
USPC **D14/411**

(58) **Field of Classification Search**
USPC D14/372, 496, 432, 371, 125, 126, 129,
D14/299, 411; D16/300-342; 351/158,
351/153, 144; 345/7-9, 905; 455/344;
348/115, 53, 121, 739
CPC G02B 27/017; G06F 3/016; G06F 3/033;
G06F 3/0317; G06F 3/03545; G06F
3/041; G06K 9/222
See application file for complete search history.

(56) **References Cited**

U.S. PATENT DOCUMENTS

D784,991 S * 4/2017 Chang D14/411
D797,741 S * 9/2017 Cebe D14/411

D811,402 S * 2/2018 Nishizawa D14/411
D812,058 S * 3/2018 Lehman D14/411
D826,940 S * 8/2018 Nishizawa D14/411
D832,255 S * 10/2018 Jung D14/411
D846,546 S * 4/2019 Mitchell D14/411
D851,643 S * 6/2019 Nishizawa D14/411
D861,687 S * 10/2019 Mitchell D14/411
D887,412 S * 6/2020 Nishizawa D14/411
D888,058 S * 6/2020 Ding D14/411
D892,800 S * 8/2020 Xu D14/411
D896,811 S * 9/2020 Nishizawa D14/411

* cited by examiner

Primary Examiner — Austin Murphy

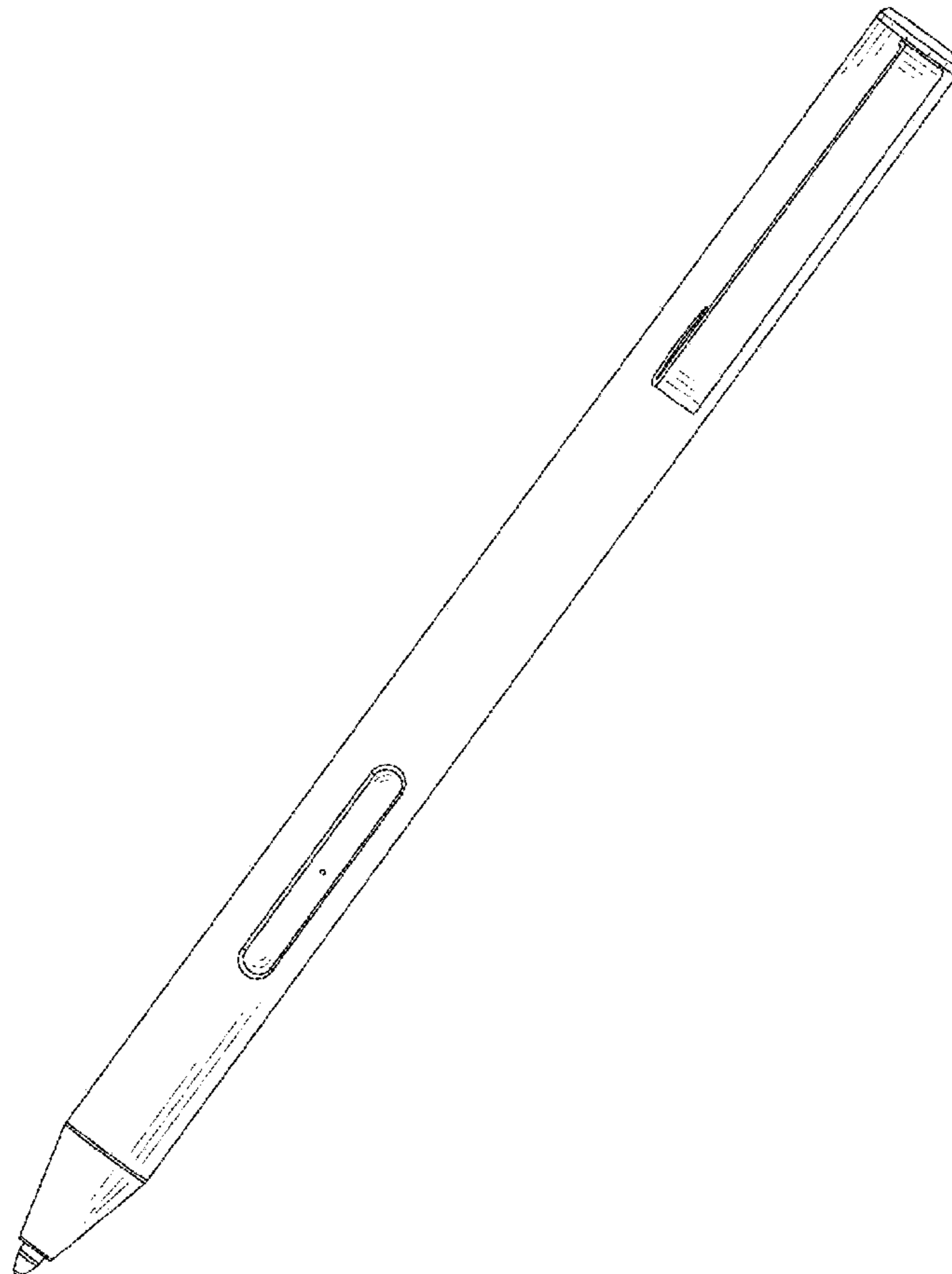
(57) **CLAIM**

The ornamental design for an active stylus, as shown and described.

DESCRIPTION

FIG. 1 is a perspective view of an active stylus showing my new design;
FIG. 2 is a front elevation view thereof;
FIG. 3 is a rear elevation view thereof;
FIG. 4 is a left side elevation view thereof;
FIG. 5 is a right side elevation view thereof;
FIG. 6 is a top plan view thereof, shown enlarged in scale; and,
FIG. 7 is a bottom plan view thereof, shown enlarged in scale.

1 Claim, 7 Drawing Sheets



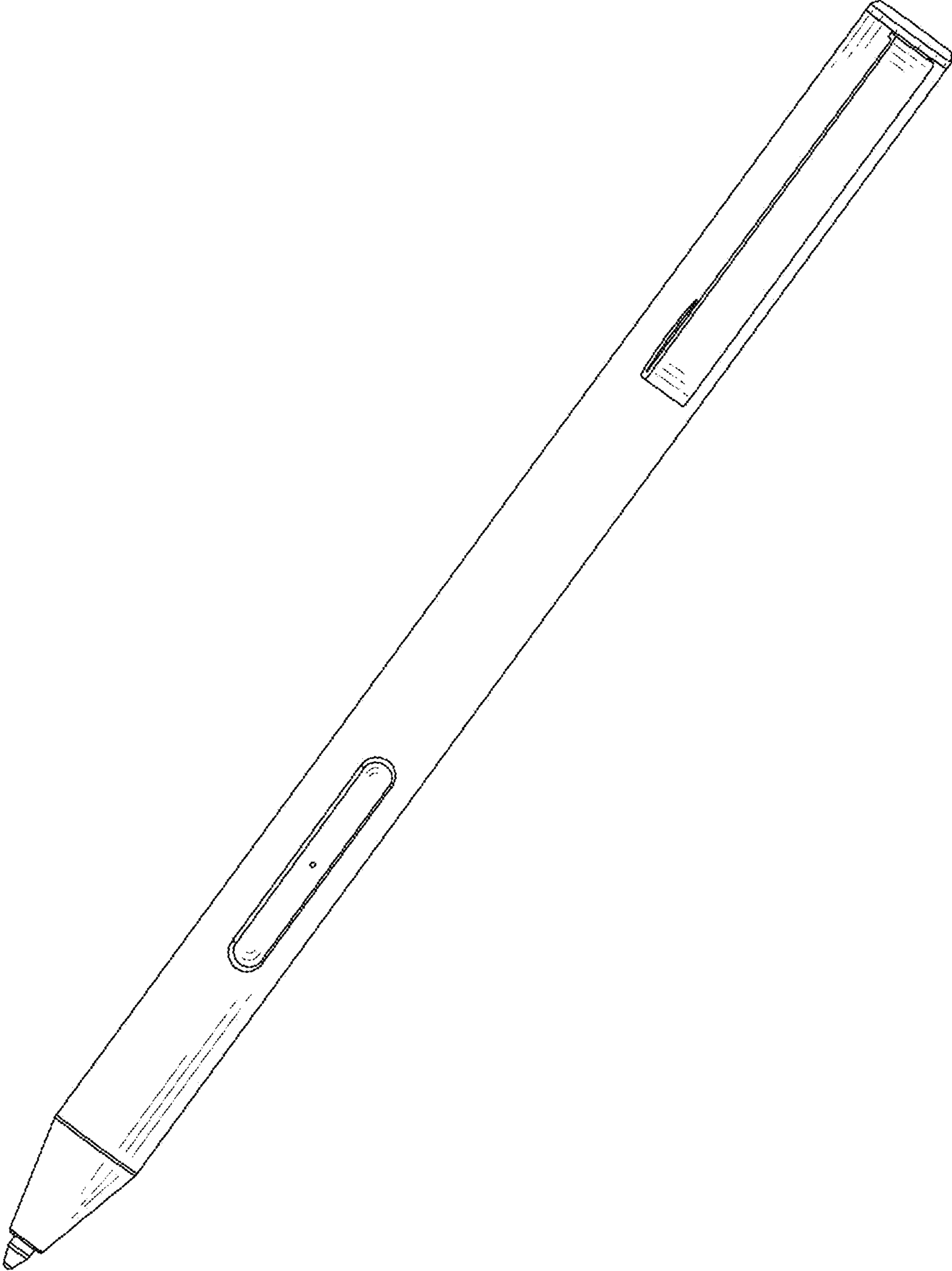


FIG. 1

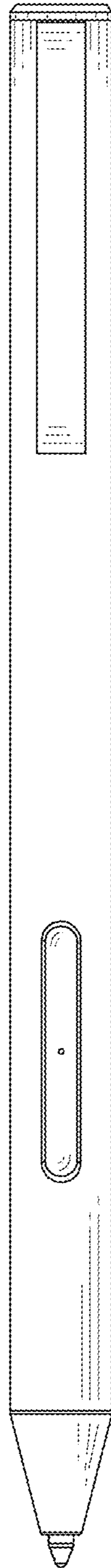


FIG. 2

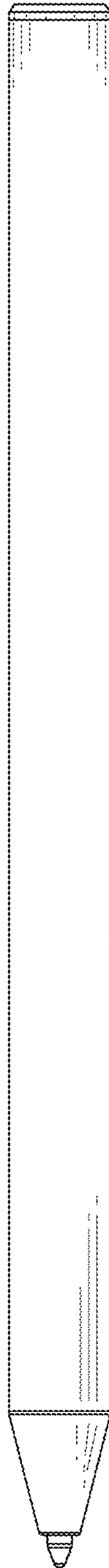


FIG.3

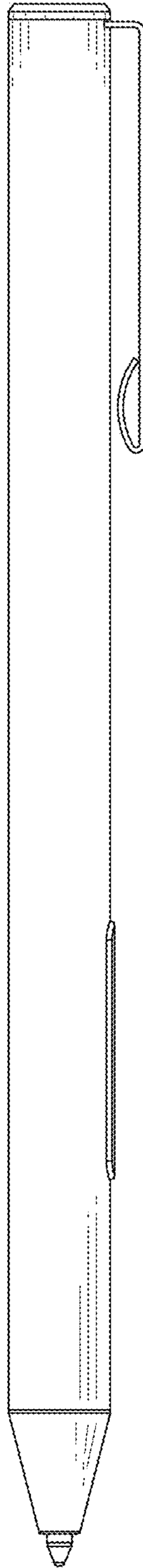


FIG.4

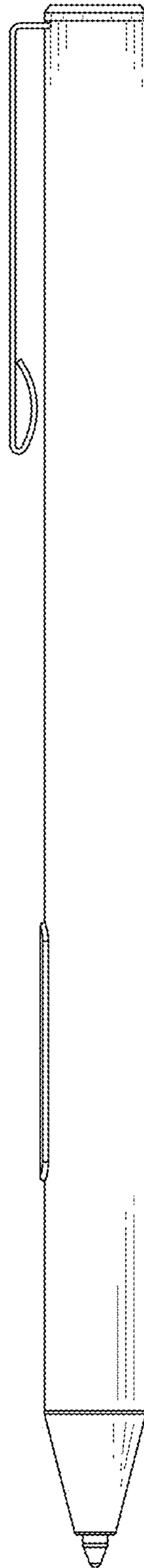


FIG. 5

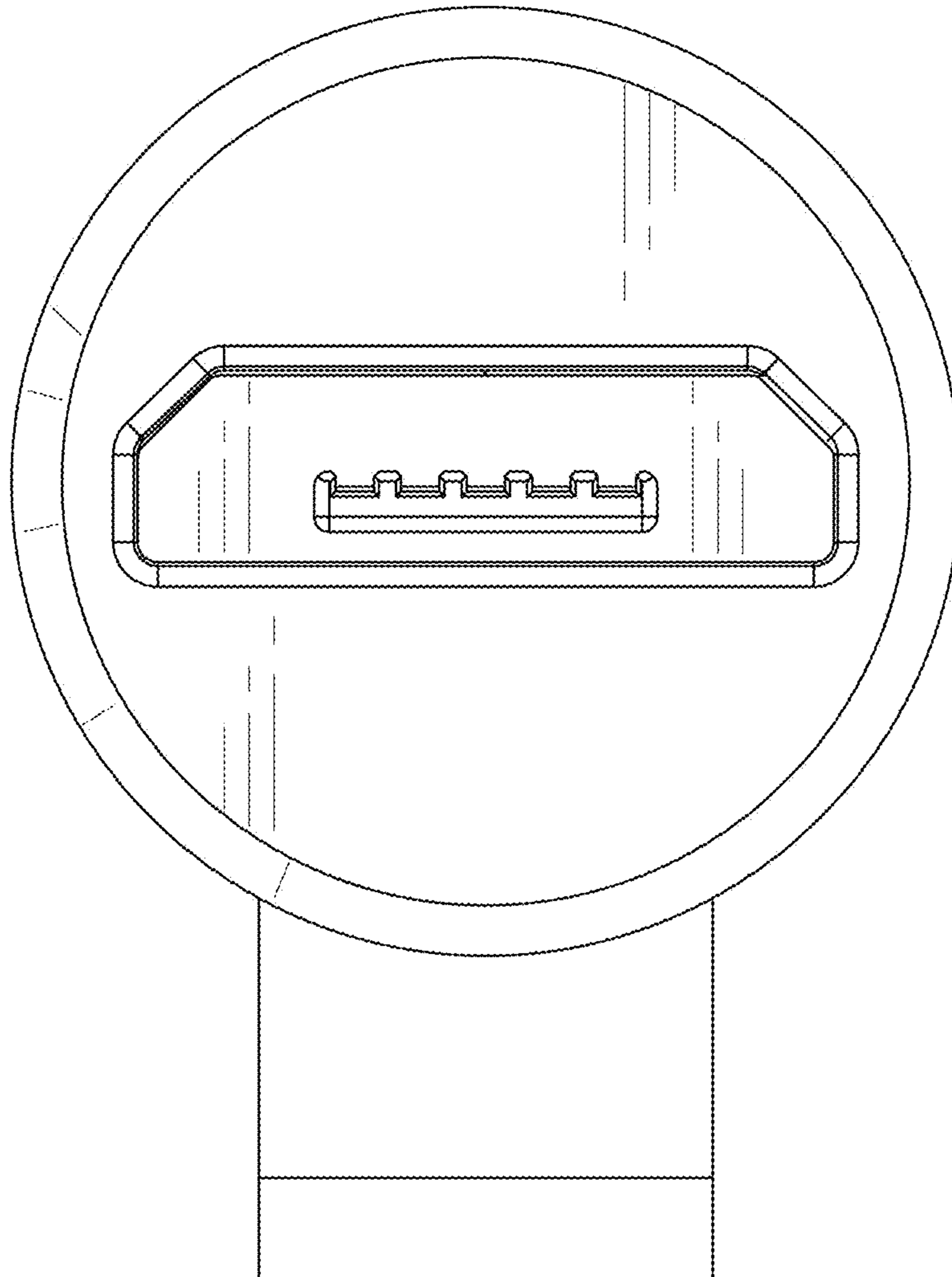


FIG. 6

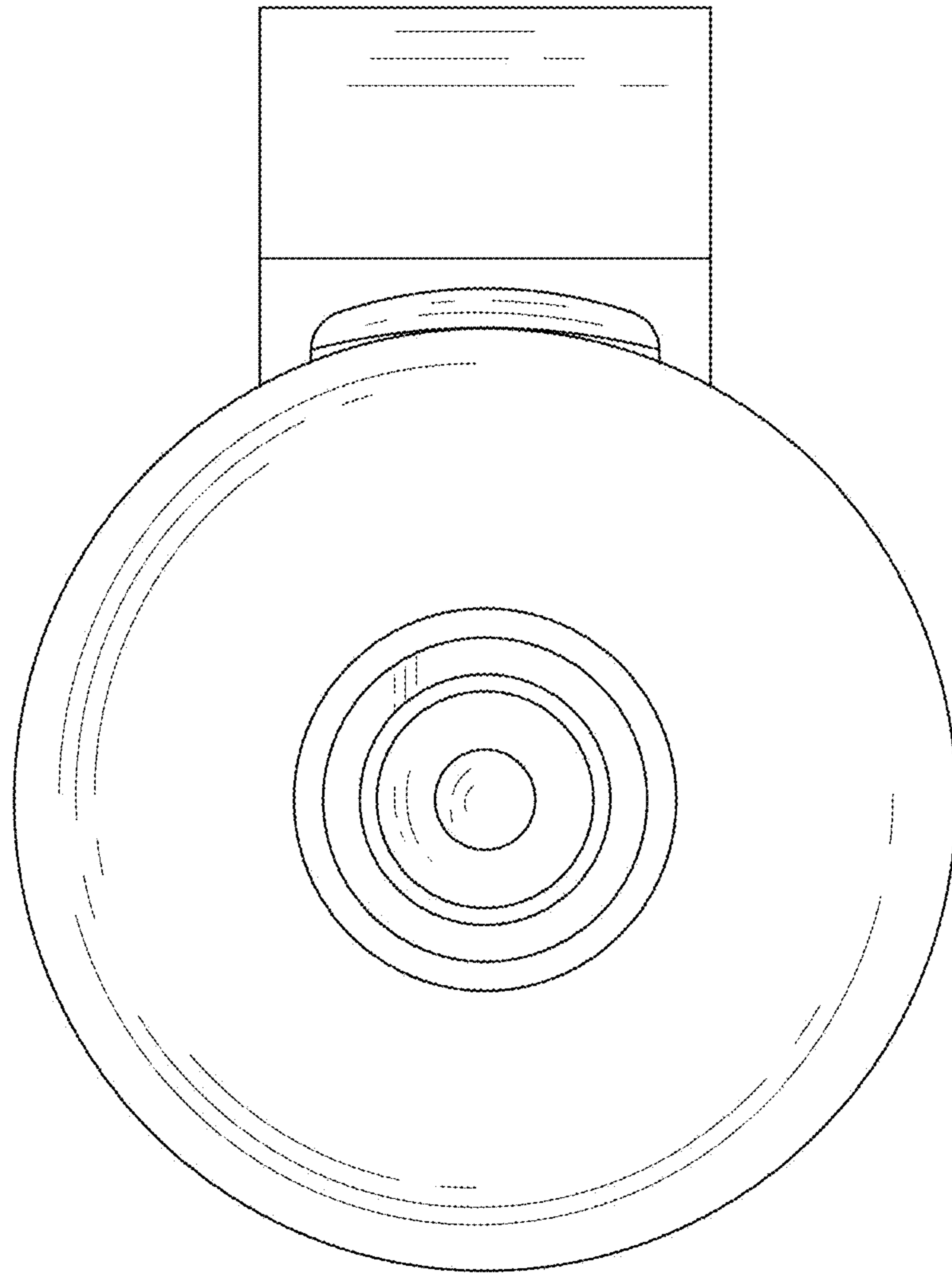


FIG. 7