



US00D909374S

(12) **United States Design Patent**
Chan

(10) **Patent No.: US D909,374 S**

(45) **Date of Patent: ** Feb. 2, 2021**

(54) **KEYBOARD**

(71) Applicant: **KYE Systems Corp.**, New Taipei (TW)

(72) Inventor: **Chi-Wai Chan**, HongKong (CN)

(73) Assignee: **KYE SYSTEMS CORP.**, New Taipei (TW)

(**) Term: **15 Years**

(21) Appl. No.: **29/713,306**

(22) Filed: **Nov. 15, 2019**

(51) **LOC (13) Cl. 14-02**

(52) **U.S. Cl.**

USPC **D14/392**

(58) **Field of Classification Search**

USPC D14/247, 315-327, 331-333, 338,
D14/345-347, 387, 390-401, 406, 429,
D14/455-457, 460-461, 447, 459;
D18/1-2, 4.1-4.6, 7, 11, 12.2, 52;
D21/324, 409; 341/22-23, 26;
345/168-173; 361/679.08, 679.09,
361/679.11, 679.14, 679.17, 679.26,
361/679.27, 786; 708/142-146; 235/8,
235/12, 15, 26-27, 145 A, 145 R, 146,
235/61 PE

CPC B41J 5/00; B41J 5/10; B41J 5/12; G06F
3/021; G06F 3/0216; G06F 3/0219; G06F
3/02

See application file for complete search history.

(56) **References Cited**

U.S. PATENT DOCUMENTS

D308,200 S * 5/1990 Sottsass D14/398
D320,005 S * 9/1991 Stead D14/396
D324,860 S * 3/1992 Oshima D14/396
D330,199 S * 10/1992 Mendel D14/396
5,406,277 A * 4/1995 Lee B41J 5/12
200/345

D361,563 S * 8/1995 Tsai D14/396
D373,134 S * 8/1996 Bertram D14/395
5,841,423 A * 11/1998 Carroll, Jr. G06F 3/0213
345/168
5,969,644 A * 10/1999 Koutaka H01H 13/702
200/5 A

(Continued)

FOREIGN PATENT DOCUMENTS

CN 301867381 * 3/2012
CN 302430429 * 5/2013

(Continued)

OTHER PUBLICATIONS

KB-116 Keyboard, KYE System Corp., us.geniusnet.com, author and date not listed © 2020 KYE System Corp., online, site visited Nov. 29, 2020. Available from Internet, URL: <https://us.geniusnet.com/product/kb-116/> (Year: 2020).*

(Continued)

Primary Examiner — Marissa J Cash
Assistant Examiner — Altaira J Swangin
(74) *Attorney, Agent, or Firm* — Bruce Stone LLP;
Joseph A. Bruce

(57) **CLAIM**

The ornamental design for a keyboard, as shown.

DESCRIPTION

FIG. 1 is a front perspective view of a keyboard showing my new design;
FIG. 2 is a rear perspective view thereof;
FIG. 3 is a front elevational view thereof;
FIG. 4 is a rear elevational view thereof;
FIG. 5 is a left side elevational view thereof;
FIG. 6 is a right side elevational view thereof;
FIG. 7 is a top plan view thereof; and,
FIG. 8 is a bottom plan view thereof.

1 Claim, 6 Drawing Sheets

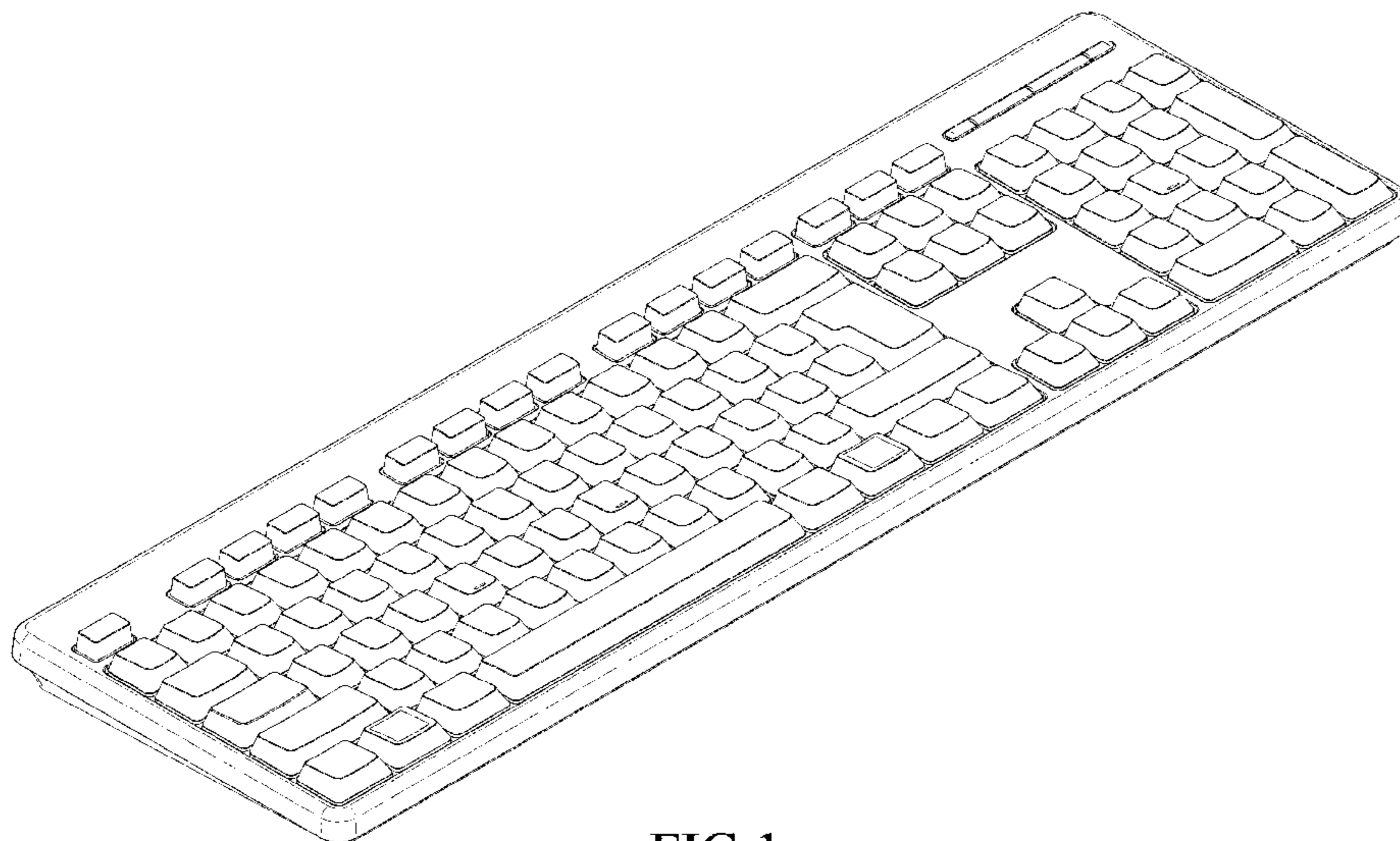


FIG. 1

(56)

References Cited

U.S. PATENT DOCUMENTS

7,129,930 B1 * 10/2006 Cathey G06F 3/0202
345/168
7,171,498 B2 * 1/2007 Tu G06F 3/0236
710/73
8,514,181 B2 * 8/2013 Huang G06F 3/0202
345/170
10,353,486 B1 * 7/2019 Hamilton G06F 3/0219
D879,097 S * 3/2020 Chan D14/392
10,817,076 B2 * 10/2020 Chang G06F 3/023
2003/0189501 A1 * 10/2003 Chen G06F 3/0219
341/22
2003/0197627 A1 * 10/2003 Botich G06F 3/0219
341/22
2007/0286662 A1 * 12/2007 King G06F 3/0219
400/489
2009/0015995 A1 * 1/2009 Lin G06F 3/0221
361/679.09
2010/0033434 A1 * 2/2010 Xie G06F 3/0219
345/168
2011/0175813 A1 * 7/2011 Sarwar G06F 3/043
345/168
2012/0250328 A1 * 10/2012 Huang H01H 13/83
362/280

2013/0099945 A1 * 4/2013 Shen G06F 3/0231
341/22
2013/0215036 A1 * 8/2013 Hsu G06F 3/023
345/168
2013/0249715 A1 * 9/2013 Shih H03M 11/02
341/22
2017/0315623 A1 * 11/2017 Yao G06F 3/0219

FOREIGN PATENT DOCUMENTS

CN 304407725 * 12/2017
CN 304437903 * 1/2018
CN 305135921 * 4/2019
CN 305920730 * 7/2020

OTHER PUBLICATIONS

MK200 Media Keyboard, Logitech, allithypermart.com.my, author not listed, published Jan. 21, 2017 per wayback machine © 2020 All It Hypermarket, online, site visited Nov. 30, 2020. Available from Internet, URL: <https://www.allithypermart.com.my/products/logitech-wired-usb-media-combo-mk200> (Year: 2017).*

* cited by examiner

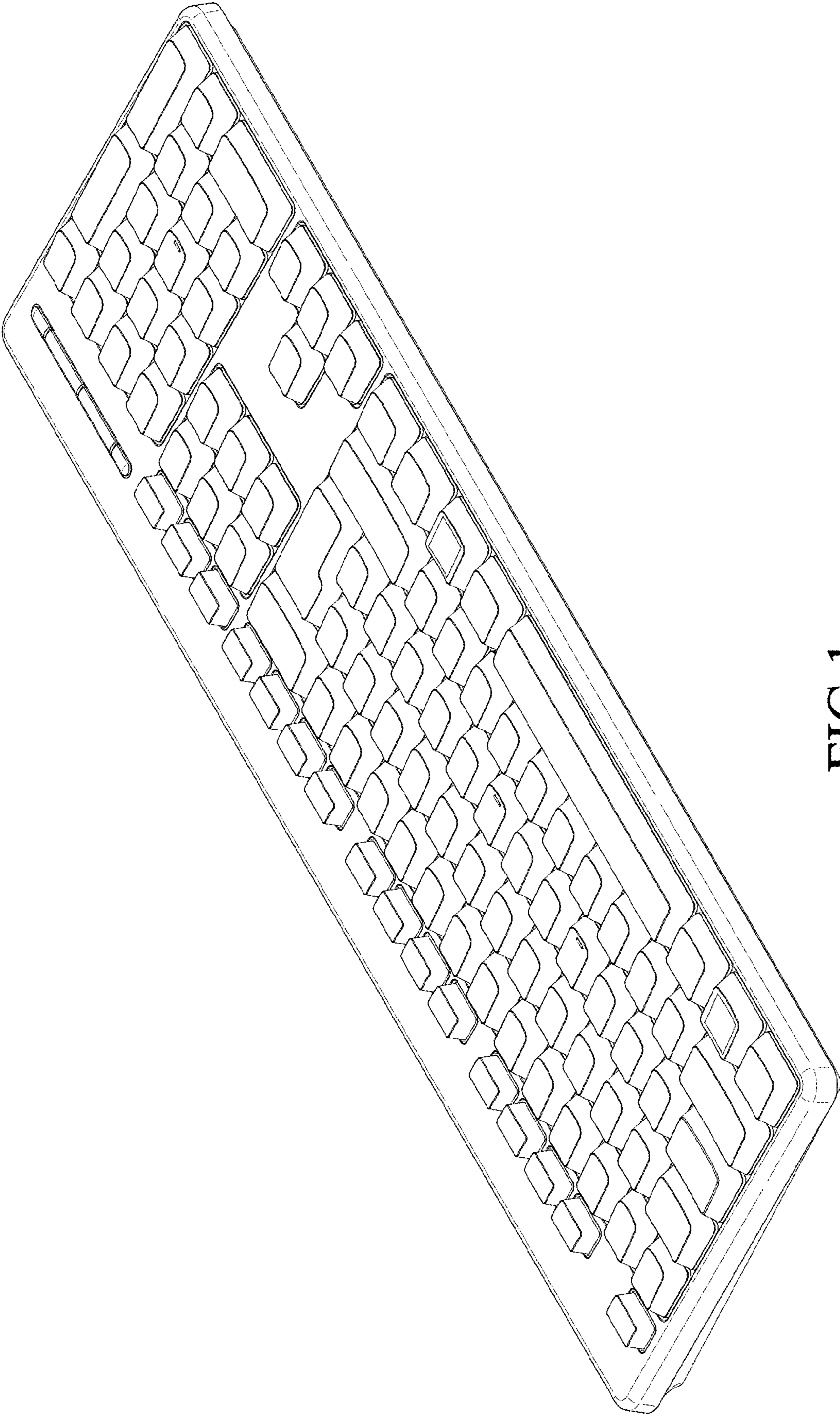


FIG. 1

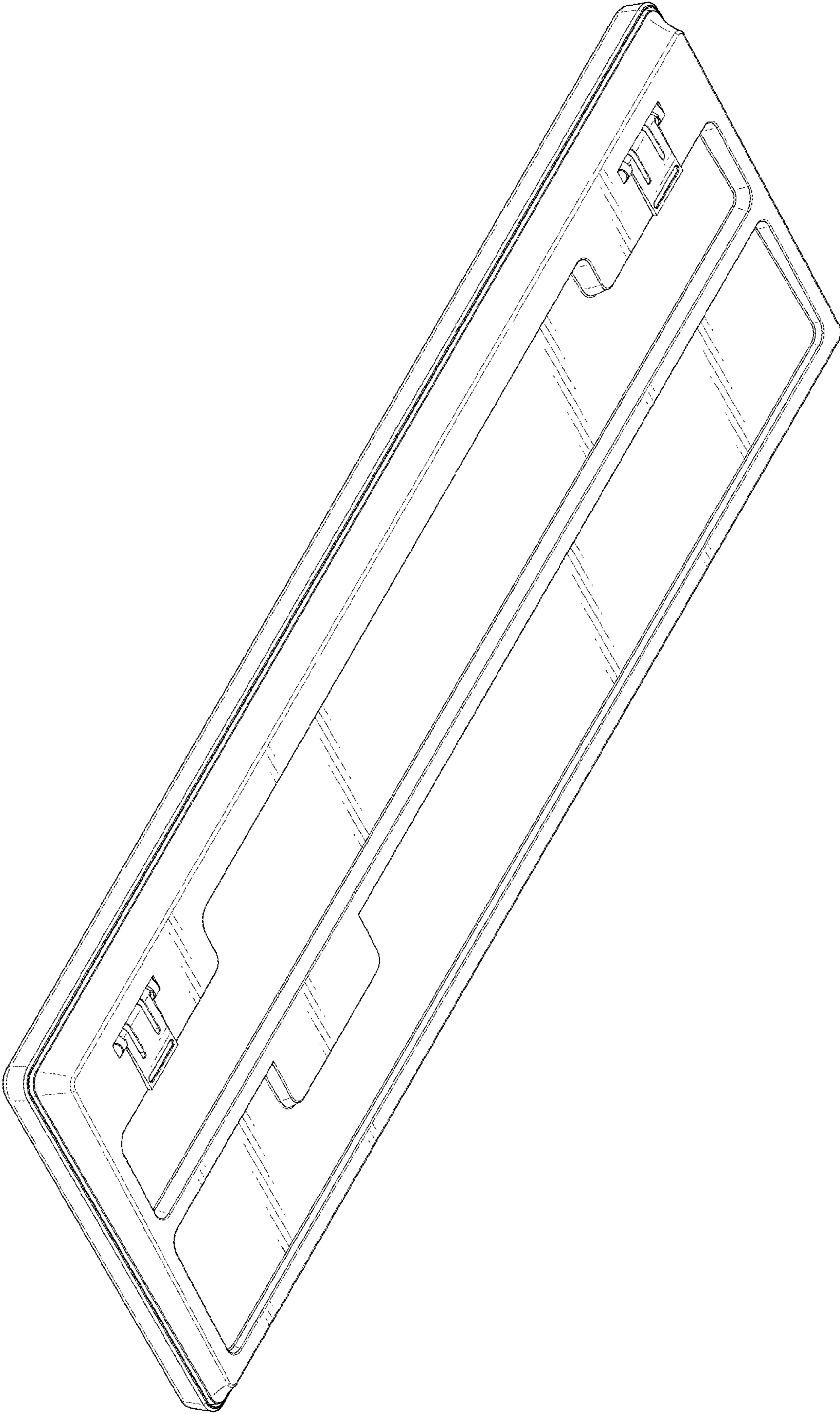


FIG.2

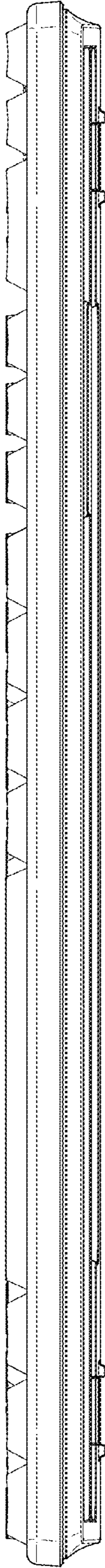


FIG. 3

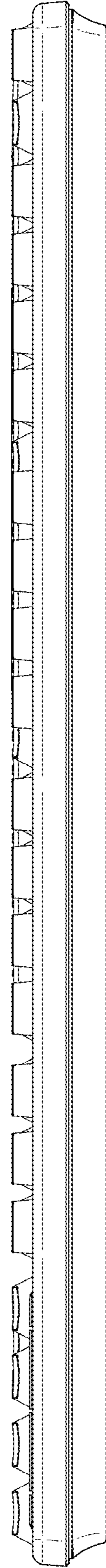


FIG. 4

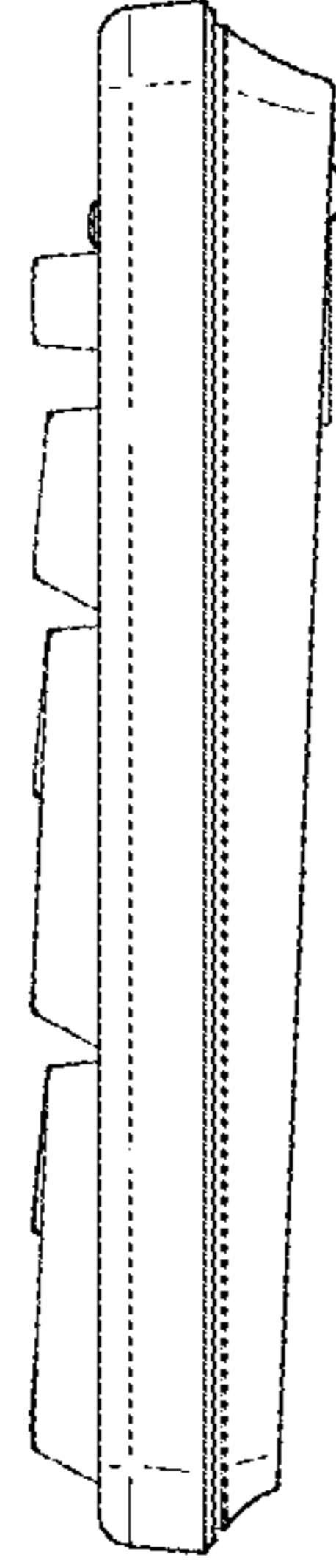


FIG. 5

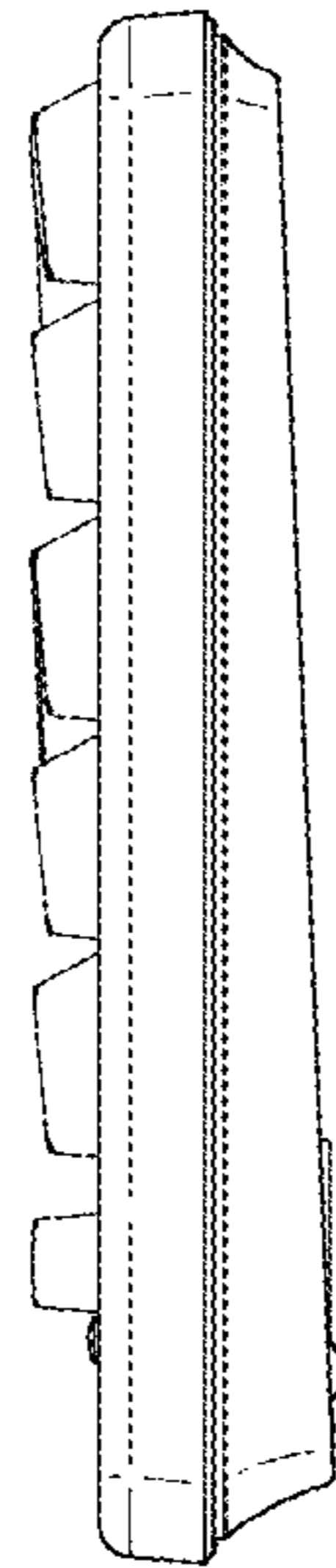


FIG. 6

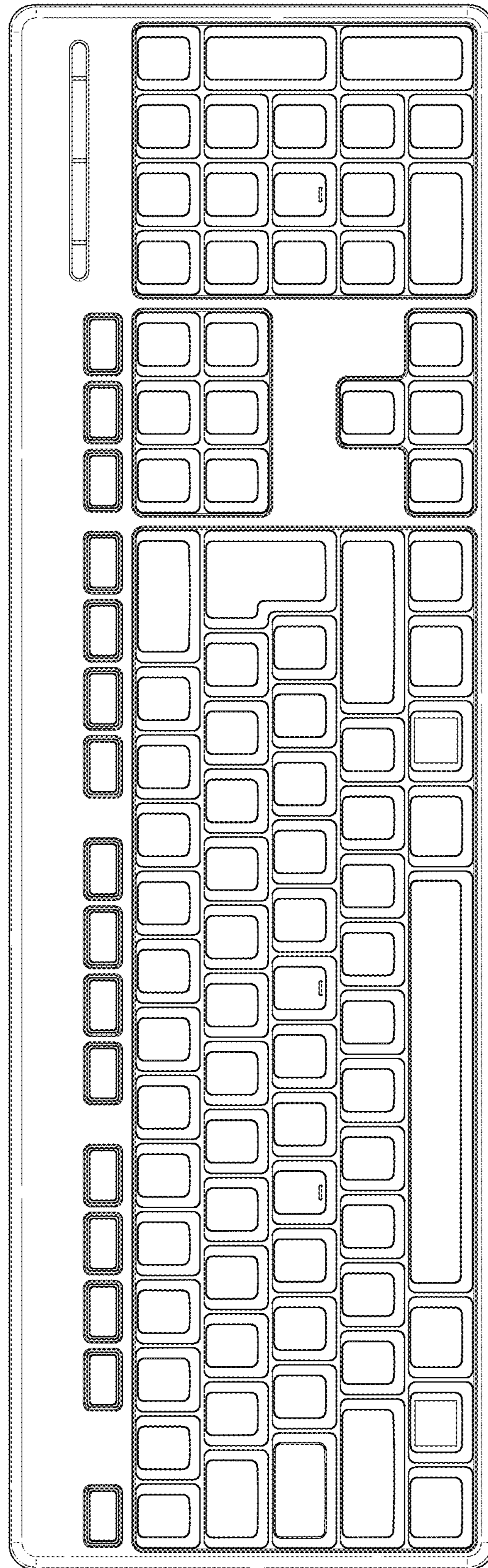


FIG. 7

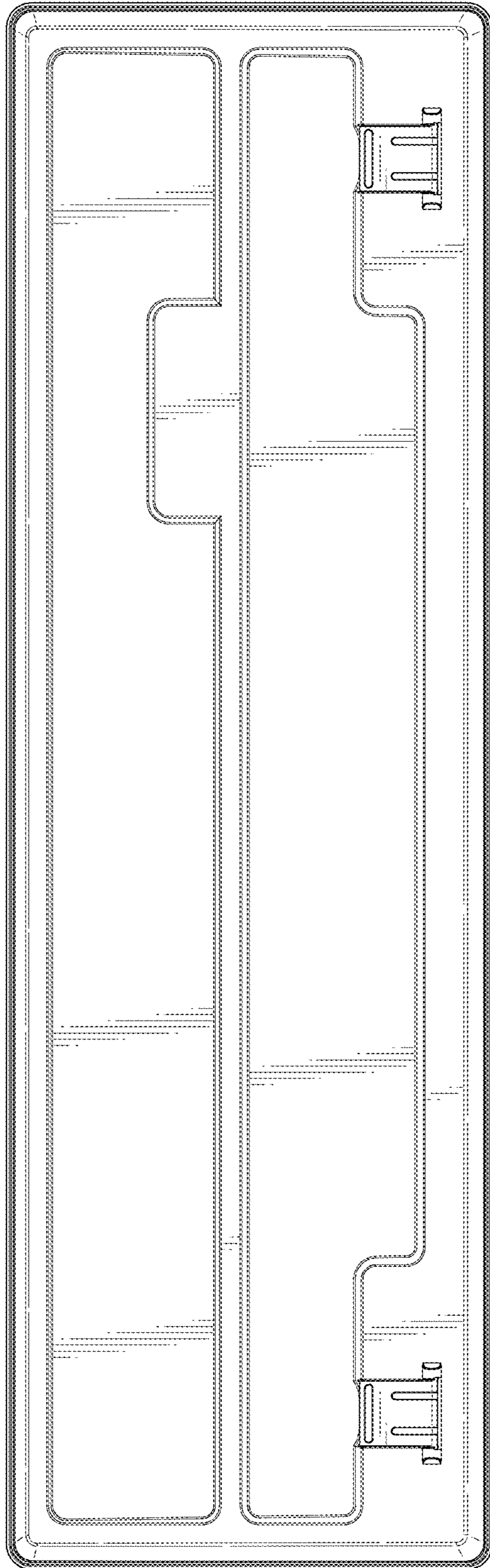


FIG. 8