

US00D909372S

(12) **United States Design Patent** (10) **Patent No.:** **US D909,372 S**
Derby et al. (45) **Date of Patent:** **** Feb. 2, 2021**

(54) **ACCESS CONTROL READER**

(56) **References Cited**

(71) Applicant: **OpenPath Security Inc.**, Marina Del Rey, CA (US)
(72) Inventors: **Cole Derby**, East Palo Alto, CA (US); **Daniel K. Harden**, Palo Alto, CA (US); **Akifusa Nakazawa**, Mountain View, CA (US)
(73) Assignee: **OPENPATH SECURITY INC.**, Culver City, CA (US)
(**) Term: **15 Years**
(21) Appl. No.: **29/635,075**
(22) Filed: **Jan. 26, 2018**
(51) **LOC (13) Cl.** **14-02**
(52) **U.S. Cl.**
USPC **D14/385**
(58) **Field of Classification Search**
USPC D18/4.4, 4.5, 4.6, 12, 12.1, 12.3; D14/383, 384, 385, 386, 378, 420, 427, D14/432-439, 447, 453; D13/107, 108, D13/133, 146, 147, 152, 154, 156; 235/441, 451, 492, 380, 439, 375
CPC G06K 19/07749; G06K 19/0723; G06K 19/041; G06K 19/07758; G06K 19/0775; G06K 19/07783; G06K 19/07794; G06K 19/06046; G06K 19/07722; G06K 19/07773; G06K 19/07779; G06K 19/07784; G06K 19/07786; G06K 19/0709

U.S. PATENT DOCUMENTS

D563,806	S	*	3/2008	Jeon	D10/65
D659,138	S	*	5/2012	Hsu	D14/385
D672,348	S	*	12/2012	Bousfield	D14/385
D672,776	S	*	12/2012	Bousfield	D14/385
D673,153	S	*	12/2012	Bousfield	D14/385
D725,180	S	*	3/2015	Azuma	D18/4.4
D738,249	S	*	9/2015	Ferreira Sanchez	D10/121
D792,357	S	*	7/2017	Tehranchi	D13/164
D825,564	S	*	8/2018	Castle	D14/399
D835,970	S	*	12/2018	Morstatt	D8/331
D839,874	S	*	2/2019	Biesaart	D14/383
D841,648	S	*	2/2019	Rotsaert	D14/385
D844,615	S	*	4/2019	Laurans	D14/399
D844,616	S	*	4/2019	Castle	D14/399
D866,291	S	*	11/2019	Morstatt	D8/330
D867,916	S	*	11/2019	Tatic	D10/106.95
D886,656	S	*	6/2020	Zaidi	D10/106.95

* cited by examiner

Primary Examiner — Austin Murphy

(74) *Attorney, Agent, or Firm* — Ansari Katiraei LLP; Arman Katiraei; Sadiq Ansari

(57) **CLAIM**

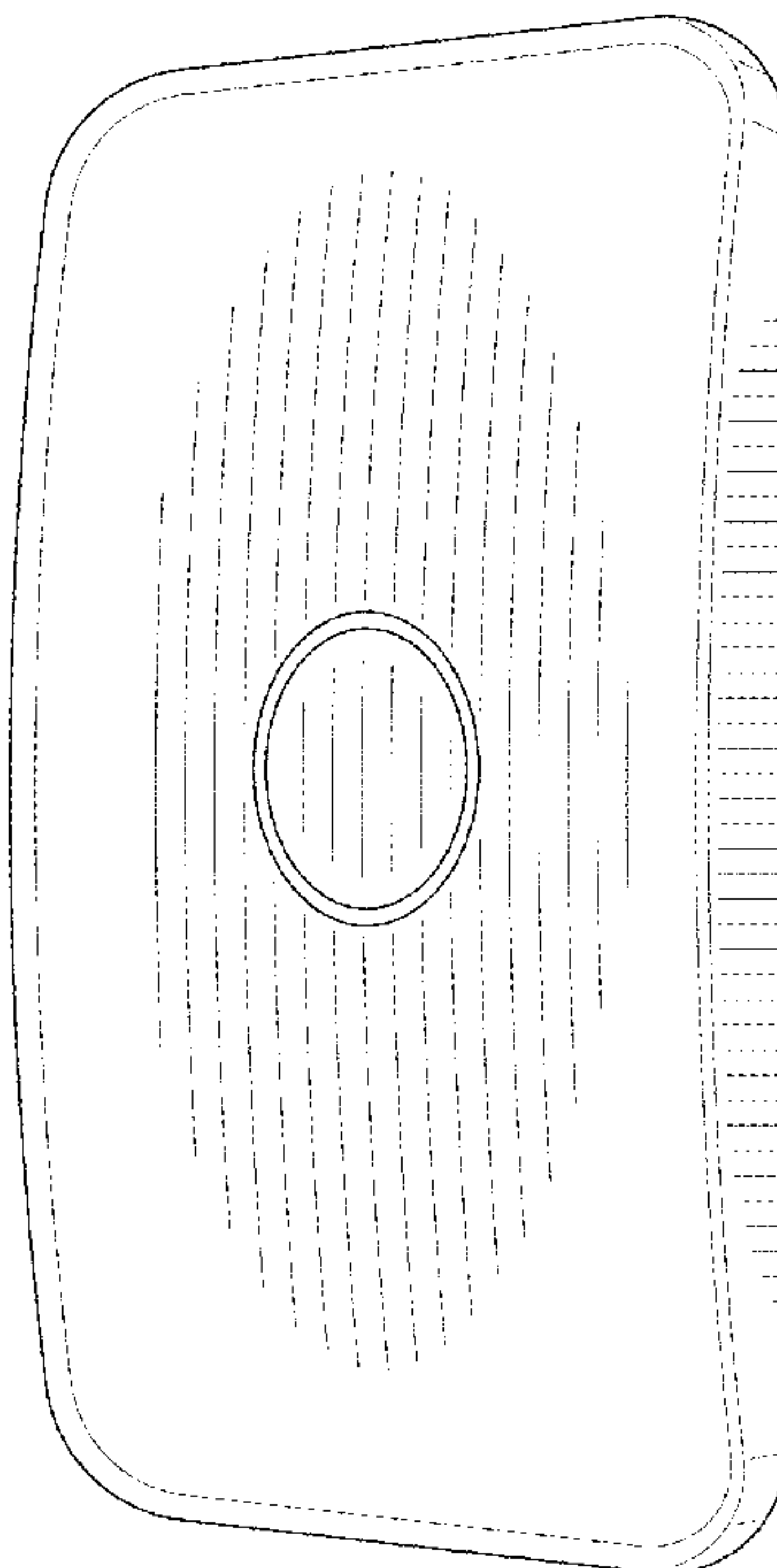
We claim the ornamental design for an access control reader, as shown and described.

DESCRIPTION

FIG. 1 is an angled perspective view of an access control reader, showing our new design in a first state; FIG. 2 is an angled perspective view thereof in a second state; and, FIG. 3 is an exploded view thereof.

See application file for complete search history.

1 Claim, 3 Drawing Sheets



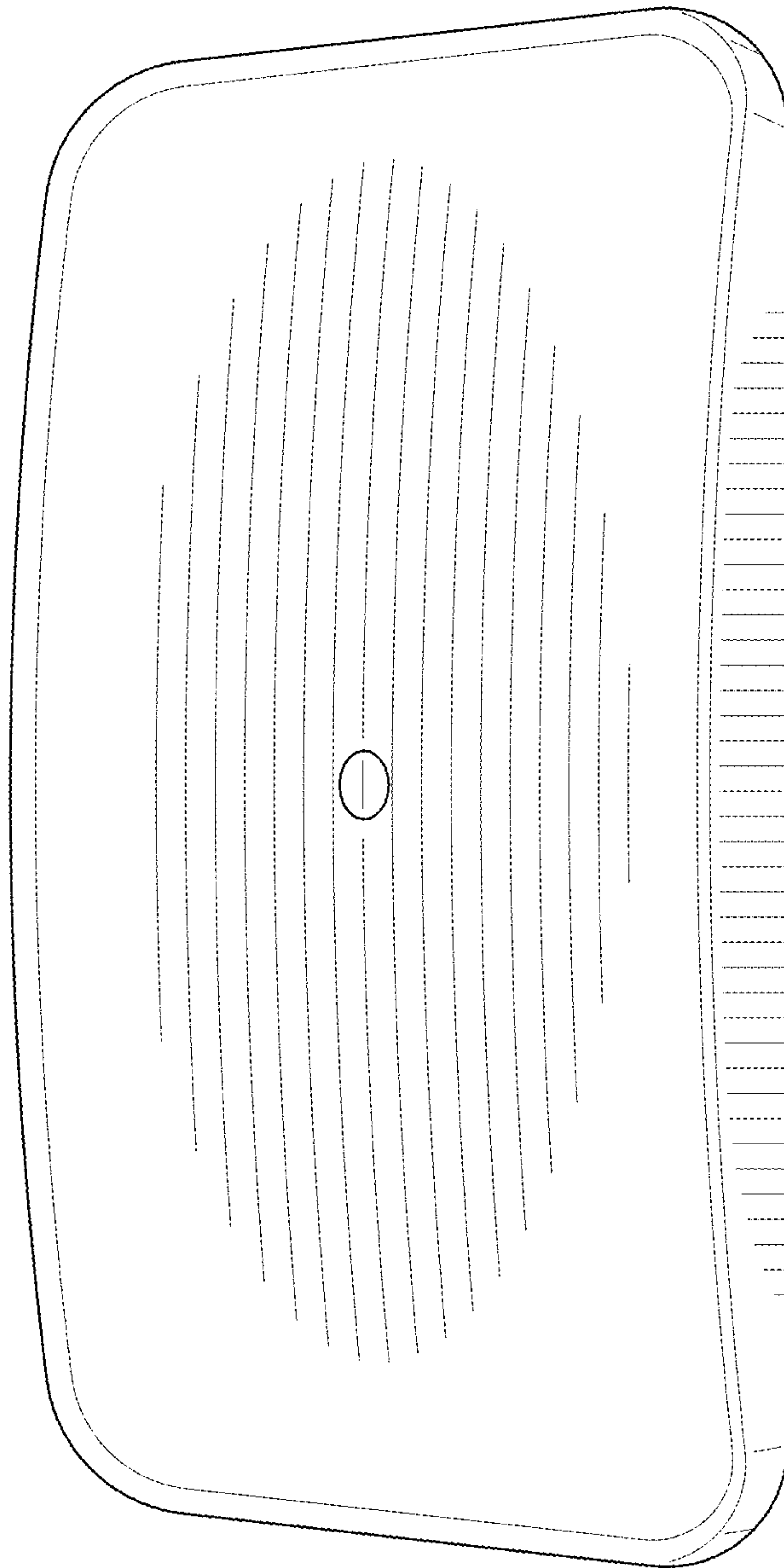


FIG. 1

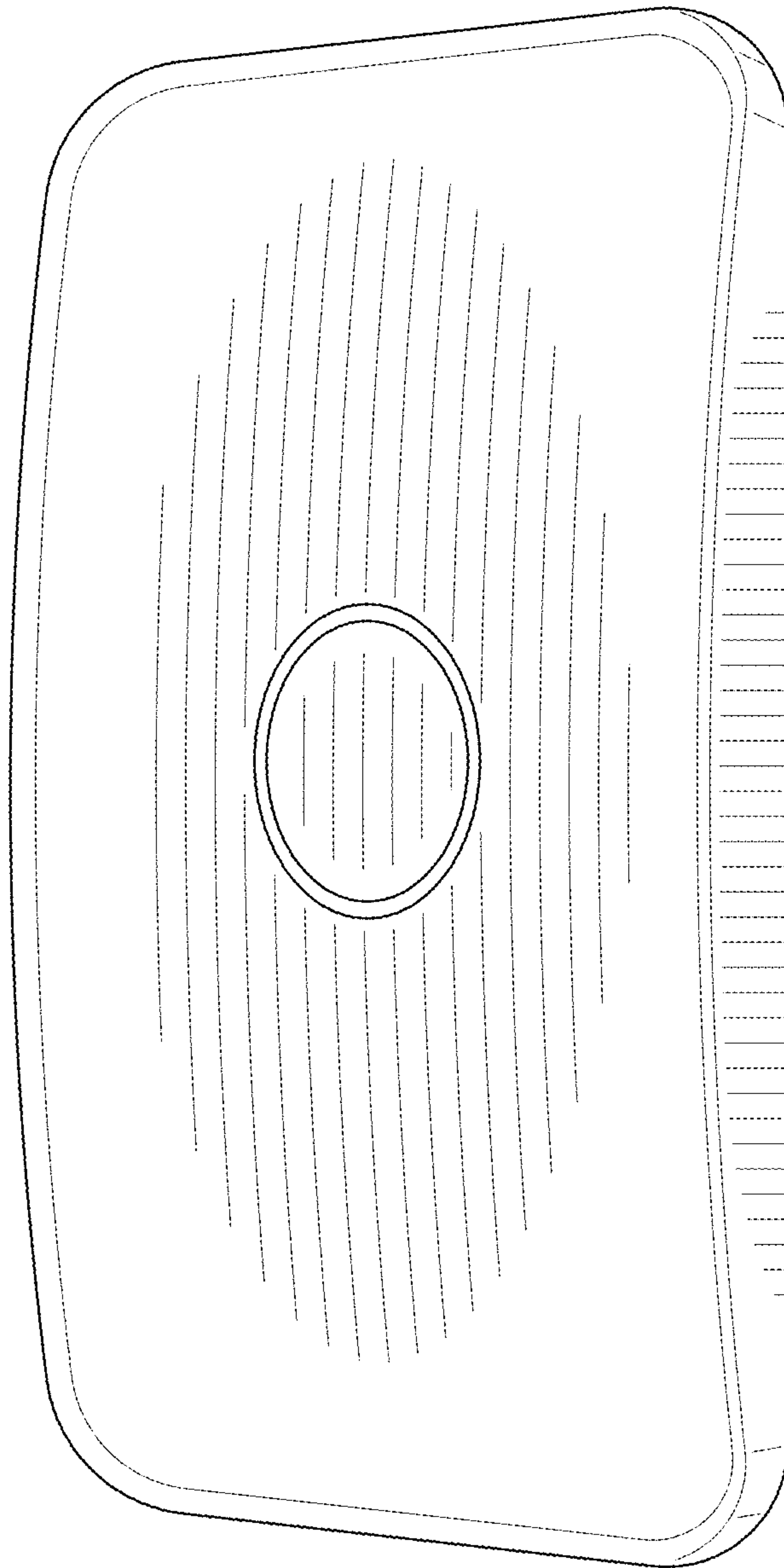


FIG. 2

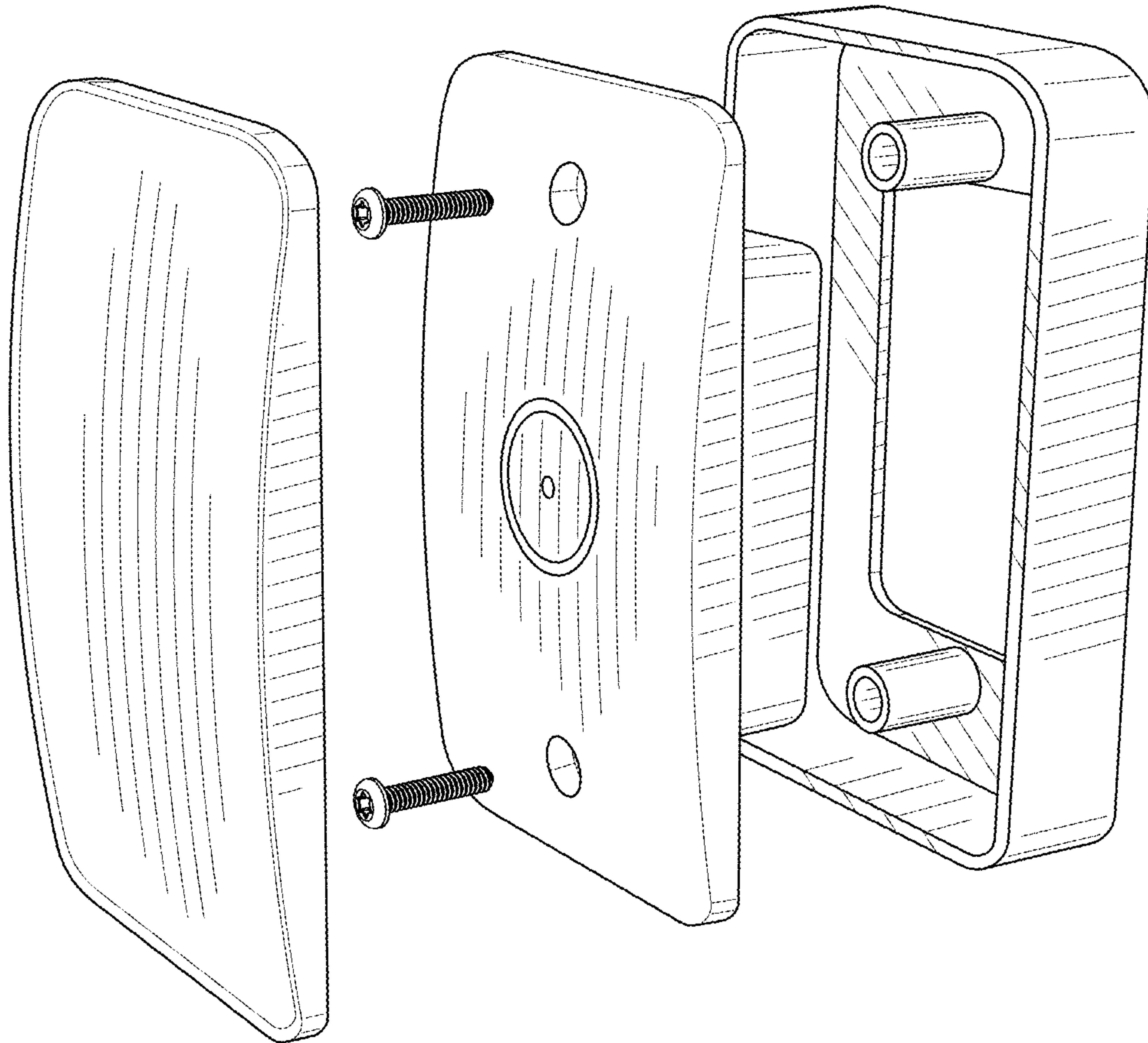


FIG. 3