



US00D909370S

(12) **United States Design Patent** (10) **Patent No.:** **US D909,370 S**
Jones et al. (45) **Date of Patent:** **** Feb. 2, 2021**

(54) **TABLET COMPUTER**

(71) Applicant: **SAMSUNG ELECTRONICS CO., LTD.**, Suwon-si (KR)
(72) Inventors: **Jeff Jones**, San Francisco, CA (US); **Sean Bornheimer**, San Francisco, CA (US); **Seounghyun Son**, San Francisco, CA (US); **Rob Shook**, San Francisco, CA (US); **Jinseok Hwang**, San Francisco, CA (US); **Rhys Bonahoom**, San Francisco, CA (US)
(73) Assignee: **Samsung Electronics Co., Ltd.**, Suwon-si (KR)

(**) Term: **15 Years**

(21) Appl. No.: **29/679,099**

(22) Filed: **Feb. 1, 2019**

(51) **LOC (13) Cl.** **14-02**

(52) **U.S. Cl.**
USPC **D14/345**; D14/341

(58) **Field of Classification Search**
USPC D14/341–346, 203.3, 138 R, 138 AC, D14/126–128; D10/65
CPC G06F 1/16; G06F 1/1601; G06F 1/1637; H04N 5/64; H05K 5/0204; H05K 5/0017; H05K 5/0217
See application file for complete search history.

(56) **References Cited**

U.S. PATENT DOCUMENTS

D580,432 S * 11/2008 Yun D14/345
D585,398 S * 1/2009 Hwang D14/130
(Continued)

FOREIGN PATENT DOCUMENTS

CN 201930435593.8 * 6/2020
EM 003876093-0001 5/2017
(Continued)

OTHER PUBLICATIONS

Samsung Galaxy View2, (c) 2019 [online], [retrieved Jul. 23, 2020], Retrieved from Internet, URL: <https://www.amazon.com/Samsung-Galaxy-17-3-inch-Touchscreen-Display/dp/B07WF9MJSX> (Year: 2019).*

(Continued)

Primary Examiner — Barbara Fox
Assistant Examiner — Aram Kwon
(74) *Attorney, Agent, or Firm* — NSIP Law

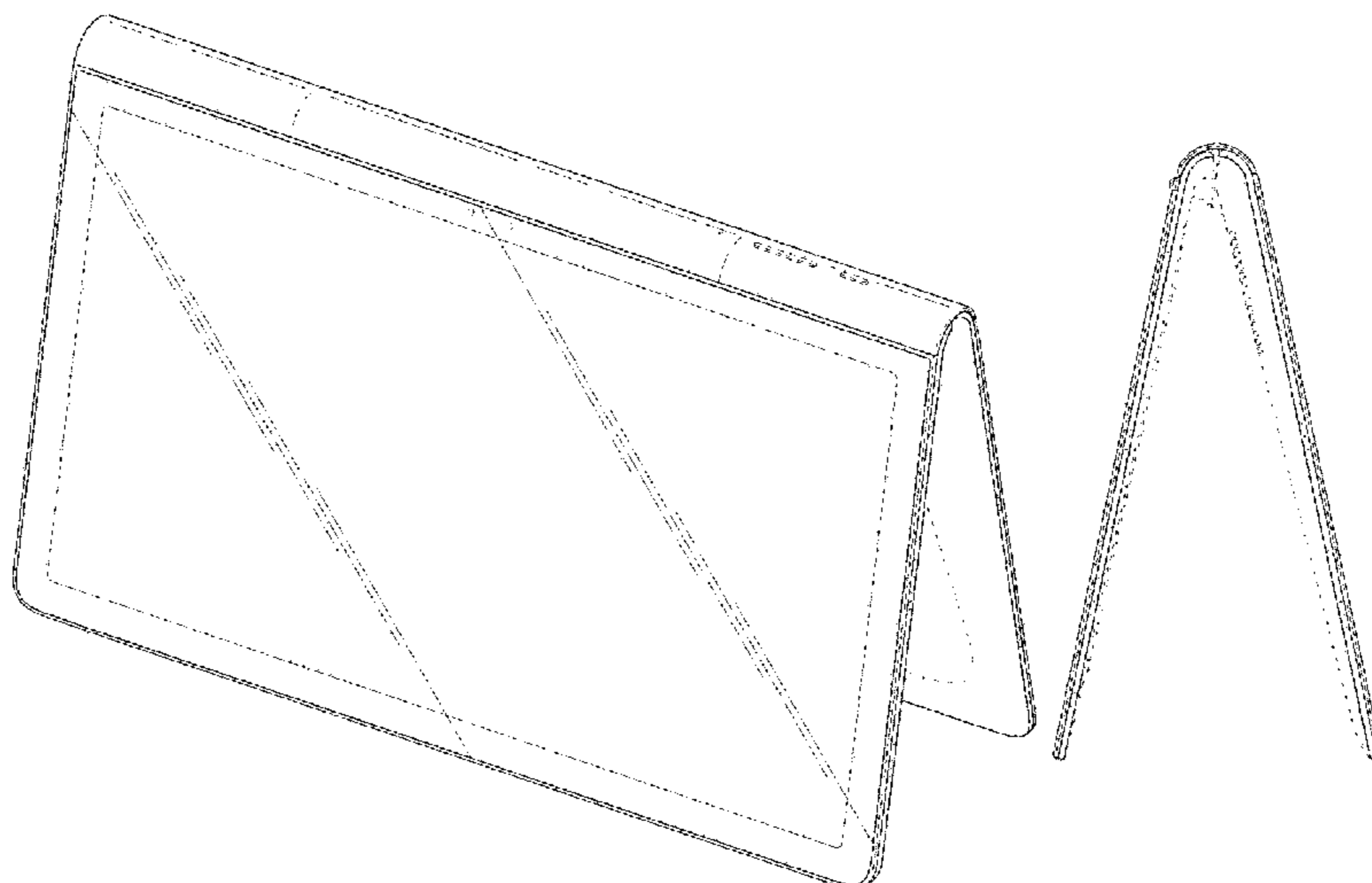
(57) **CLAIM**

We claim the ornamental design for a tablet computer, as shown and described.

DESCRIPTION

FIG. 1 is a front perspective view of a first embodiment of a tablet computer, showing our new design;
FIG. 2 is a front view thereof;
FIG. 3 is a rear view thereof;
FIG. 4 is a left-side view thereof;
FIG. 5 is a right-side view thereof;
FIG. 6 is a top view thereof;
FIG. 7 is a bottom view thereof;
FIG. 8 is a front perspective view of a second embodiment of a tablet computer, showing our new design;
FIG. 9 is a front view thereof;
FIG. 10 is a rear view thereof;
FIG. 11 is a left-side view thereof;
FIG. 12 is a right-side view thereof;
FIG. 13 is a top view thereof;
FIG. 14 is a bottom view thereof; and,
FIG. 15 is another left side view thereof showing a folded state of the tablet computer.
The broken lines in the figures depict portions of the tablet computer that form no part of the claimed design.

1 Claim, 9 Drawing Sheets



(56)

References Cited

U.S. PATENT DOCUMENTS

D649,966 S * 12/2011 Chiu D14/341
 D681,000 S * 4/2013 Koh D14/203.4
 D681,054 S * 4/2013 Koh D14/496
 D709,067 S * 7/2014 Ahn D14/345
 D709,492 S * 7/2014 Ahn D14/345
 D709,493 S * 7/2014 Ahn D14/345
 D729,232 S * 5/2015 Wu D14/341
 D746,285 S * 12/2015 Okabe D14/345
 D775,595 S * 1/2017 Nuk D14/126
 D788,774 S * 6/2017 Seo D14/345
 D798,292 S 9/2017 Groene et al.
 D808,949 S * 1/2018 Zuniga D14/316
 10,110,717 B1 * 10/2018 Liu H04M 1/0216
 D846,545 S * 4/2019 Okuley D14/345
 D862,456 S * 10/2019 Nishizawa D14/341
 D875,091 S * 2/2020 Kwon D14/341
 D888,711 S * 6/2020 Okuley D14/345
 2014/0065326 A1 * 3/2014 Lee G09F 9/301
 428/12
 2015/0146349 A1 * 5/2015 Choi G06F 1/1677
 361/679.01
 2016/0205792 A1 * 7/2016 Ahn H05K 5/0217
 40/779
 2016/0334836 A1 * 11/2016 Hong G06F 1/1686
 2017/0061836 A1 * 3/2017 Kim G06F 1/1652
 2017/0235343 A1 * 8/2017 Cho G06F 1/1681
 361/679.27

FOREIGN PATENT DOCUMENTS

KR 3020130002907 * 4/2013
 KR 3020150034240 * 2/2019

KR 3020150034241 * 2/2019
 KR 3020190014355 * 10/2019
 RU 2013503903 * 3/2015
 WO WOD206023-001 * 2/2020

OTHER PUBLICATIONS

Are you ready for the Samsung Galaxy Tab Fold?, Nov. 27, 2019 [online], [retrieved Jul. 23, 2020], Retrieved from Internet, URL: <<https://www.notebookcheck.net/Are-you-ready-for-the-Samsung-Galaxy-Tab-Fold.444841.0.html>> (Year: 2019).*

Samsung 13.3" Galaxy Book Flex, May 16, 2020 [online], [retrieved Jul. 23, 2020], Retrieved from Internet, URL: <https://www.bhphotovideo.com/c/product/1544014-REG/samsung_np930qcg_k01us_13_3_galaxy_book_flex.html/reviews> (Year: 2020).*

Samsung Galaxy View2, Apr. 23, 2019 [online], [retrieved Jul. 23, 2020], Retrieved from Internet, URL: <<https://9to5google.com/2019/04/23/samsung-galaxy-view-2-renders/>> (Year: 2019).*

The dark side of folding-screen and dual-screen smartphones, Nov. 3, 2018 [online], [retrieved Jul. 23, 2020], Retrieved from Internet, URL: <<https://www.computerworld.com/article/3317520/the-dark-side-of-folding-screen-and-dual-screen-smartphones.html>> (Year: 2018).*

World's First Foldable Laptop: Lenovo Teases The Future Of PCs, May 14, 2019 [online], [retrieved Jul. 23, 2020], Retrieved from Internet, URL: <<https://fossbytes.com/lenovo-world-first-foldable-laptop/>> (Year: 2019).*

Traders, Al-Oasis "Lenovo Yoga Book 10.1" 64GB Intel Atom X5-Z8550 2-in-1 Touch Tablet PC Carbon Black" [2019] www.ishopping.pk May 7 2019 <<https://www.ishopping.pk/lenovo-yoga-book-10-atom-x5-z8550-2-in-1-touch-tablet-pc-black-price-in-pakistan.html#Description>>.

* cited by examiner

FIG. 1

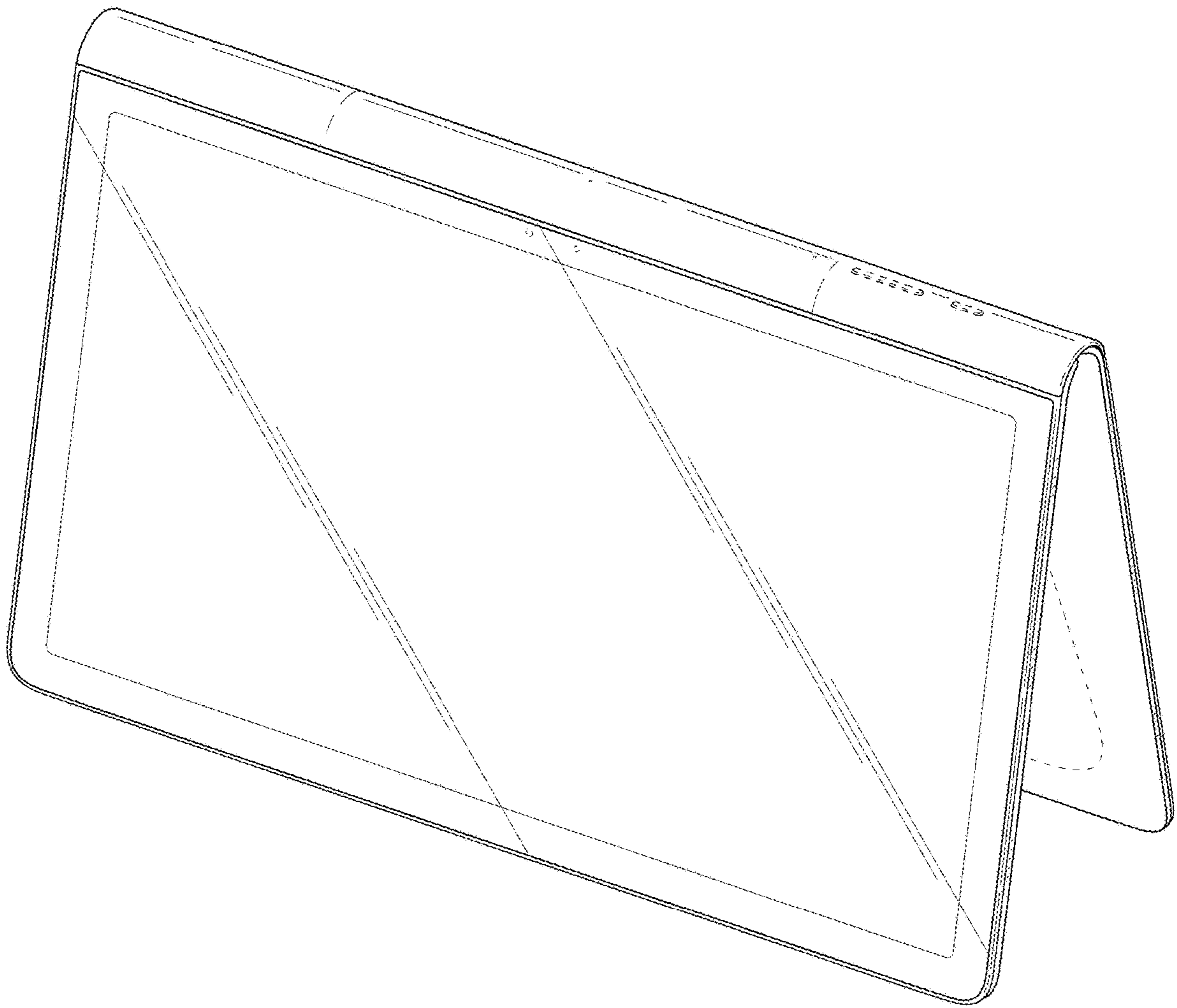


FIG.2

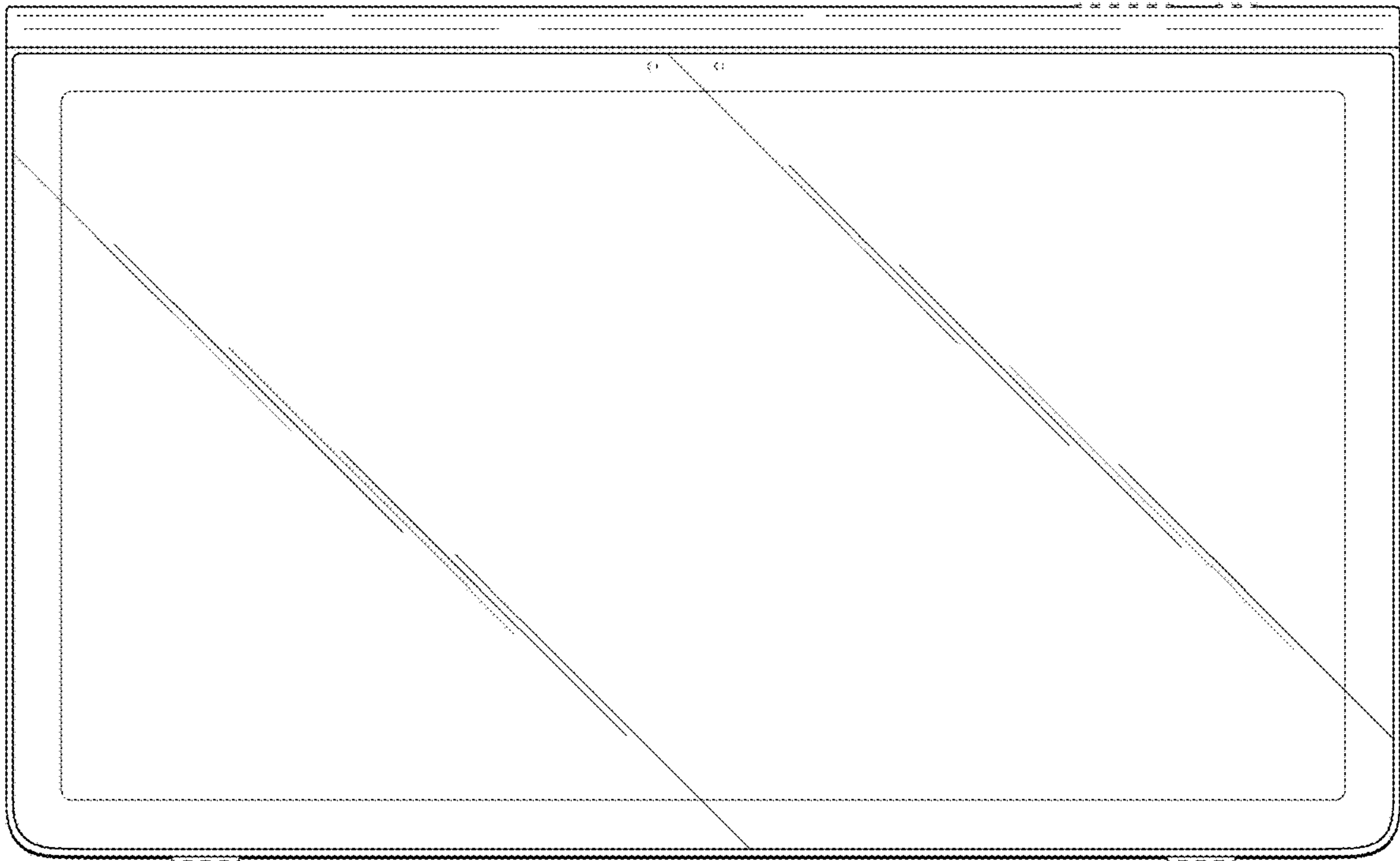


FIG.3

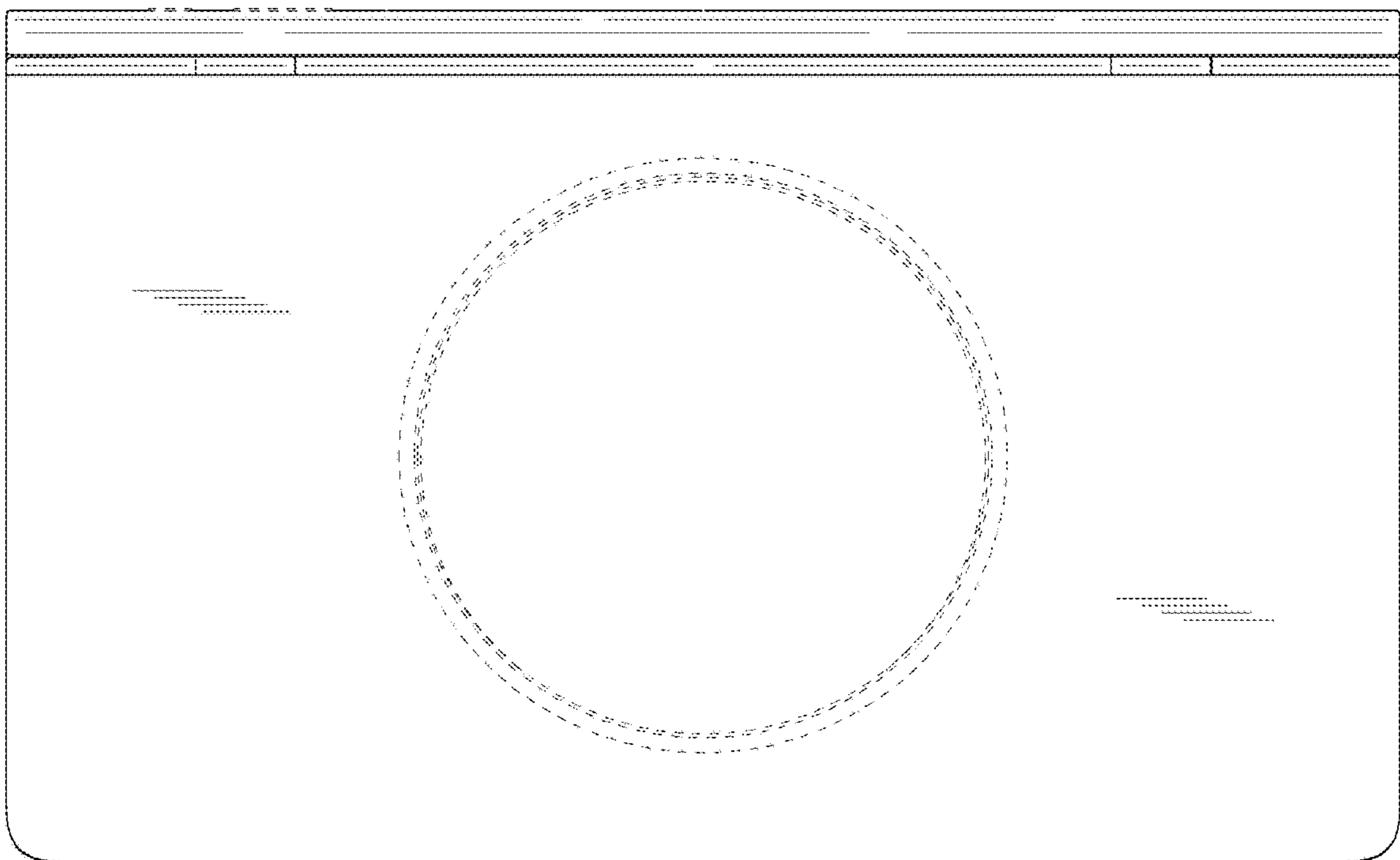


FIG.4

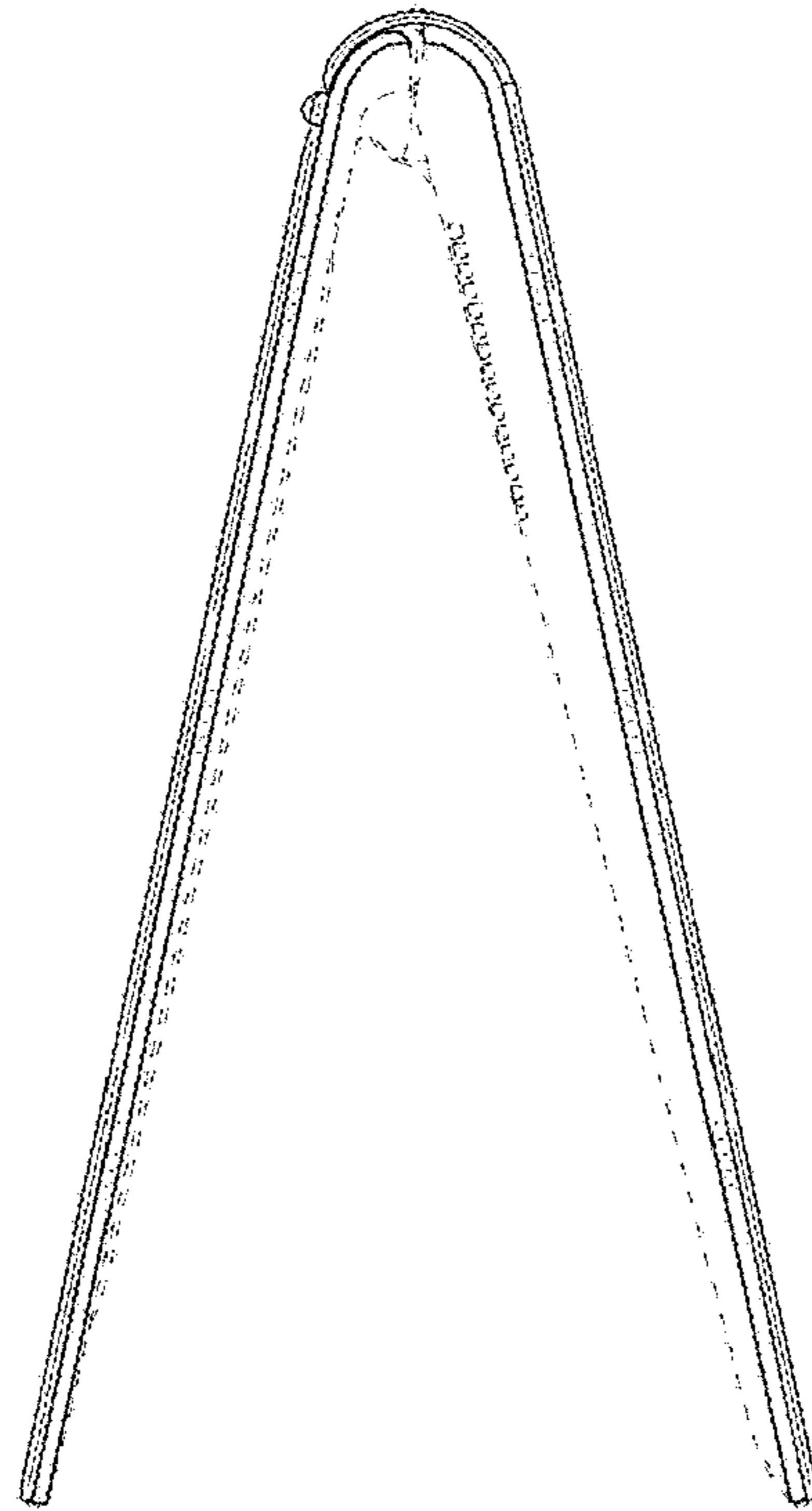


FIG.5

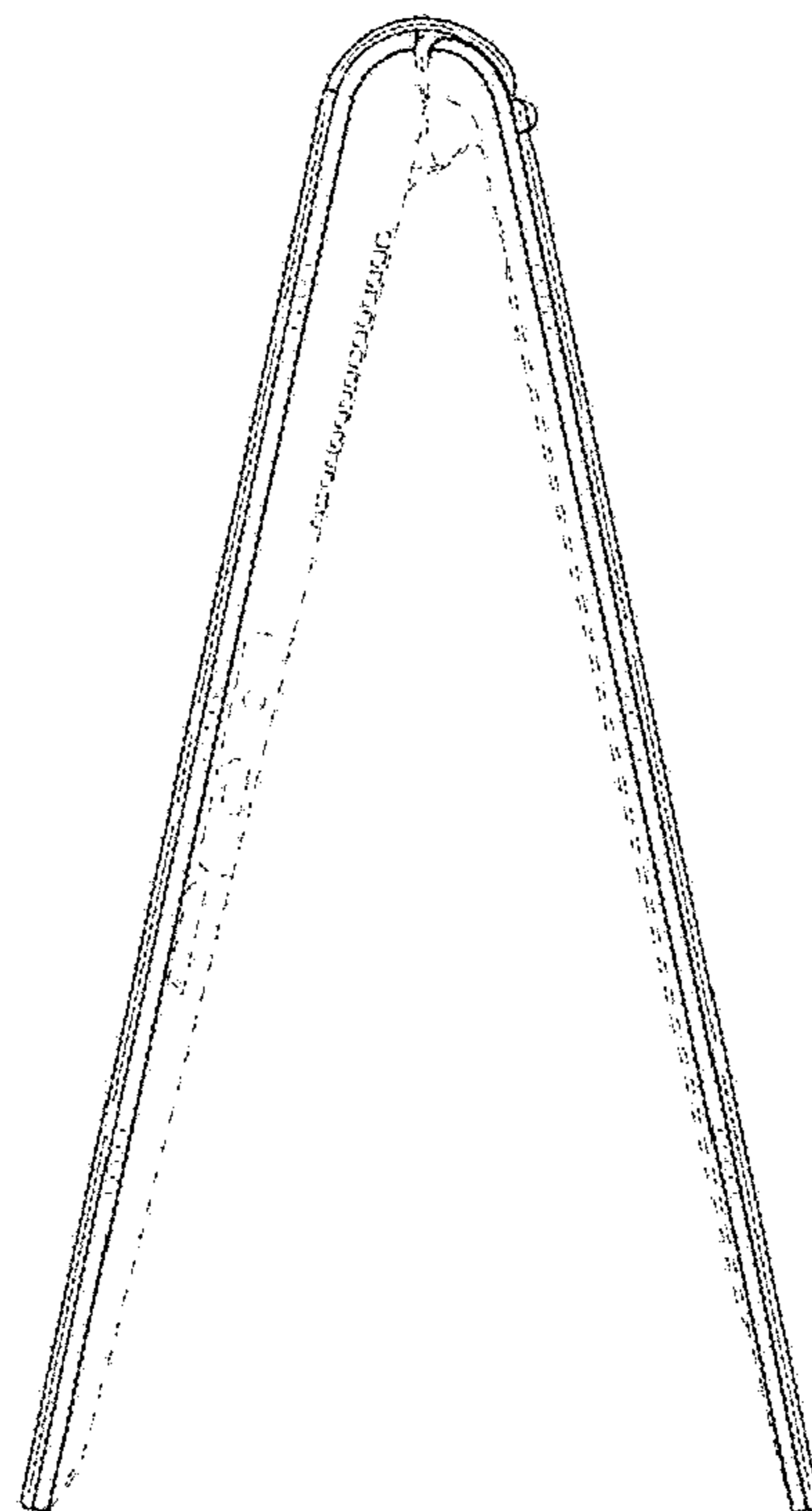


FIG.6

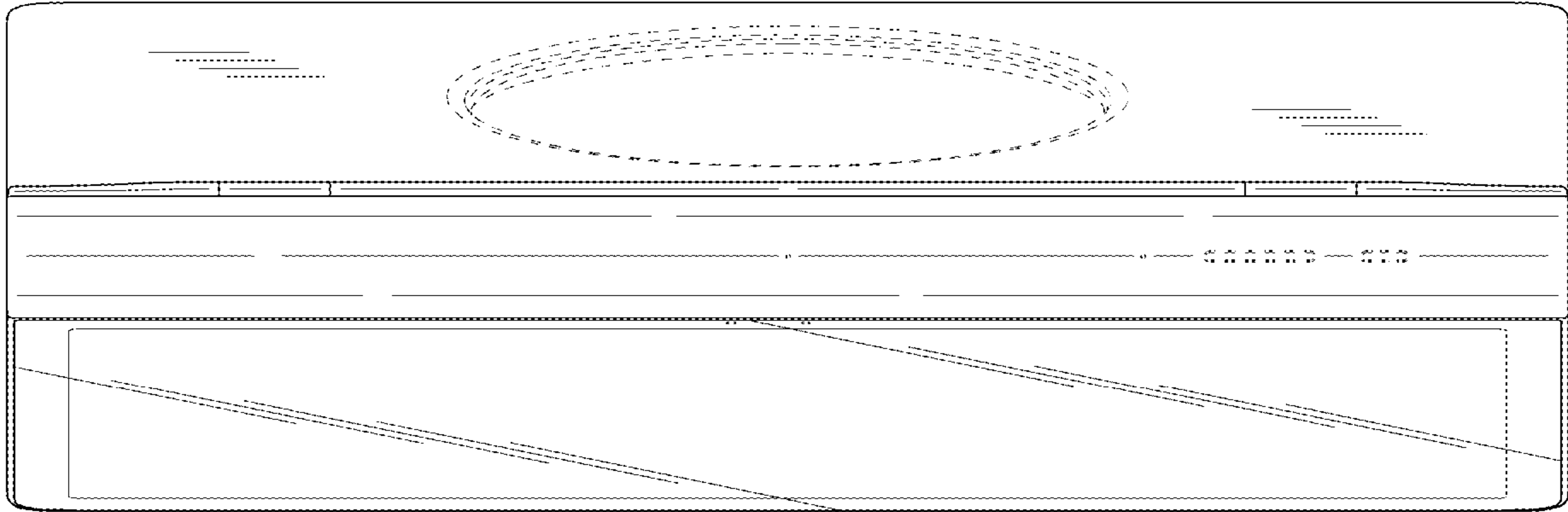


FIG.7

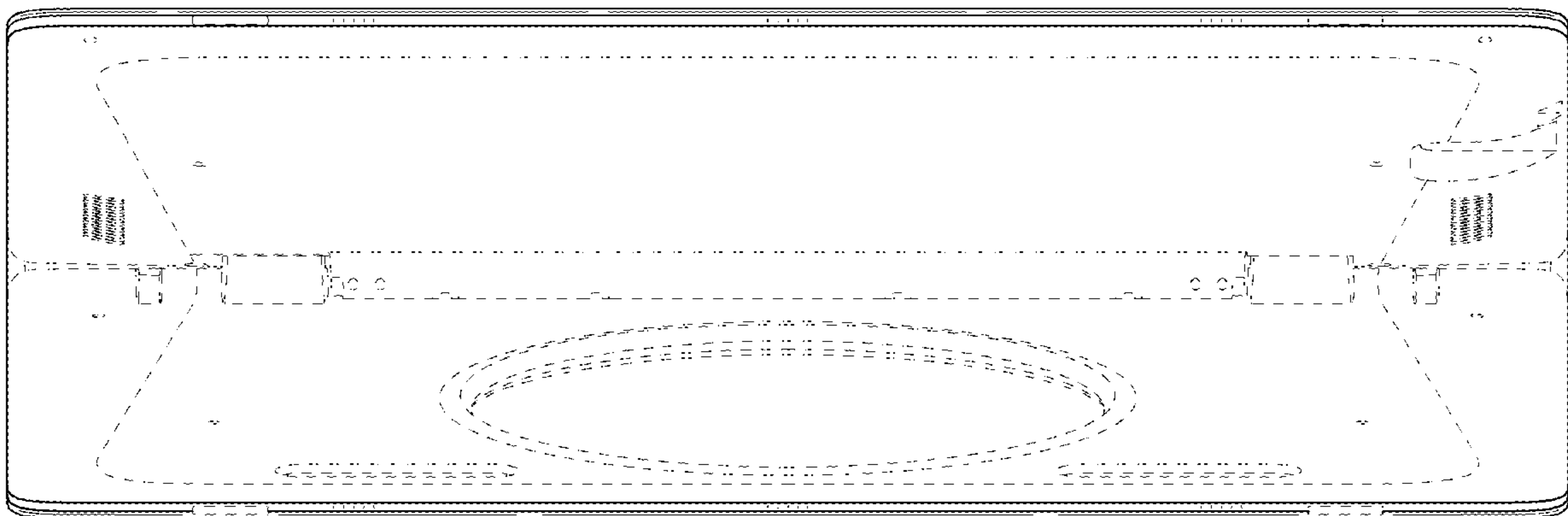


FIG.8

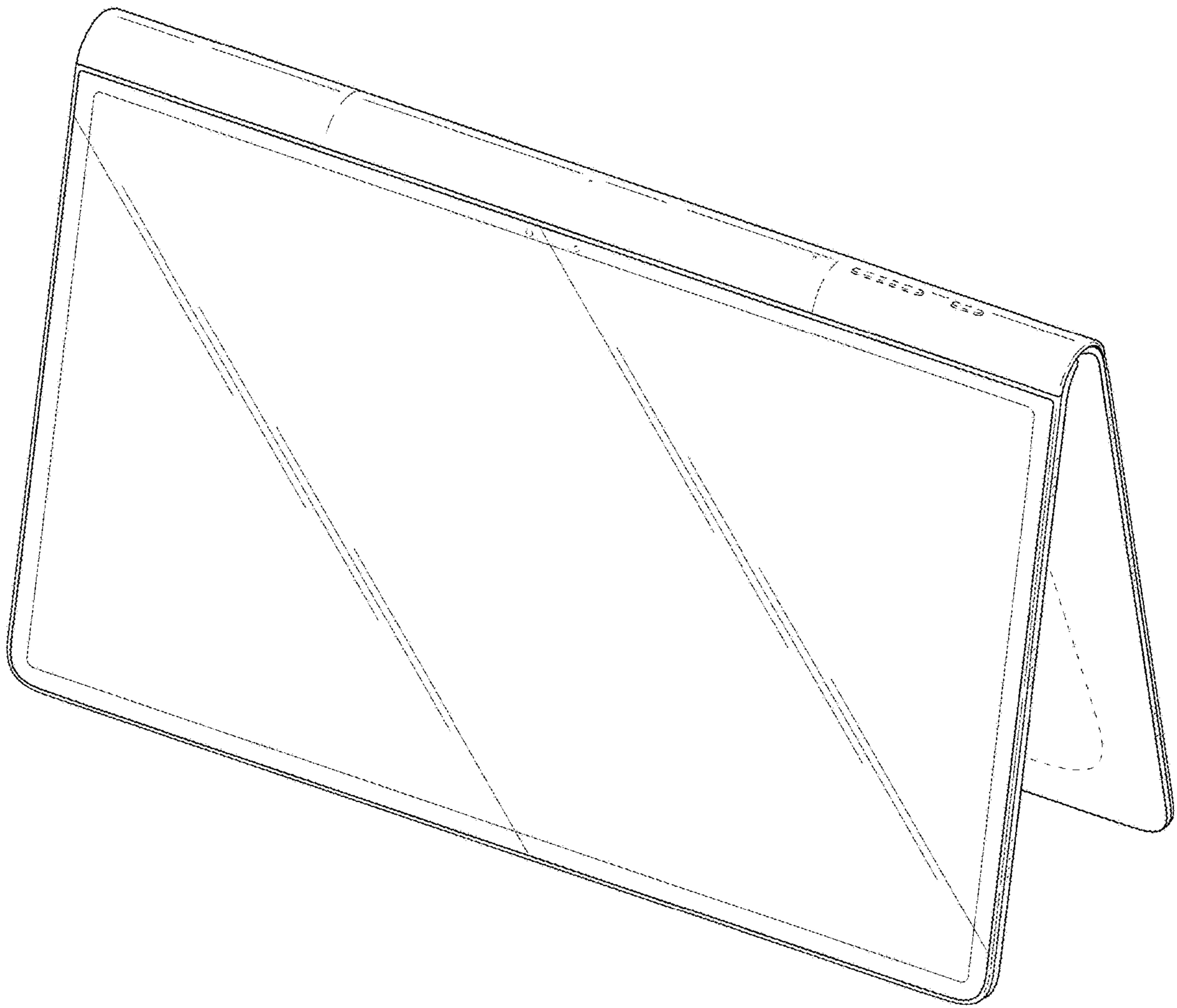


FIG.9

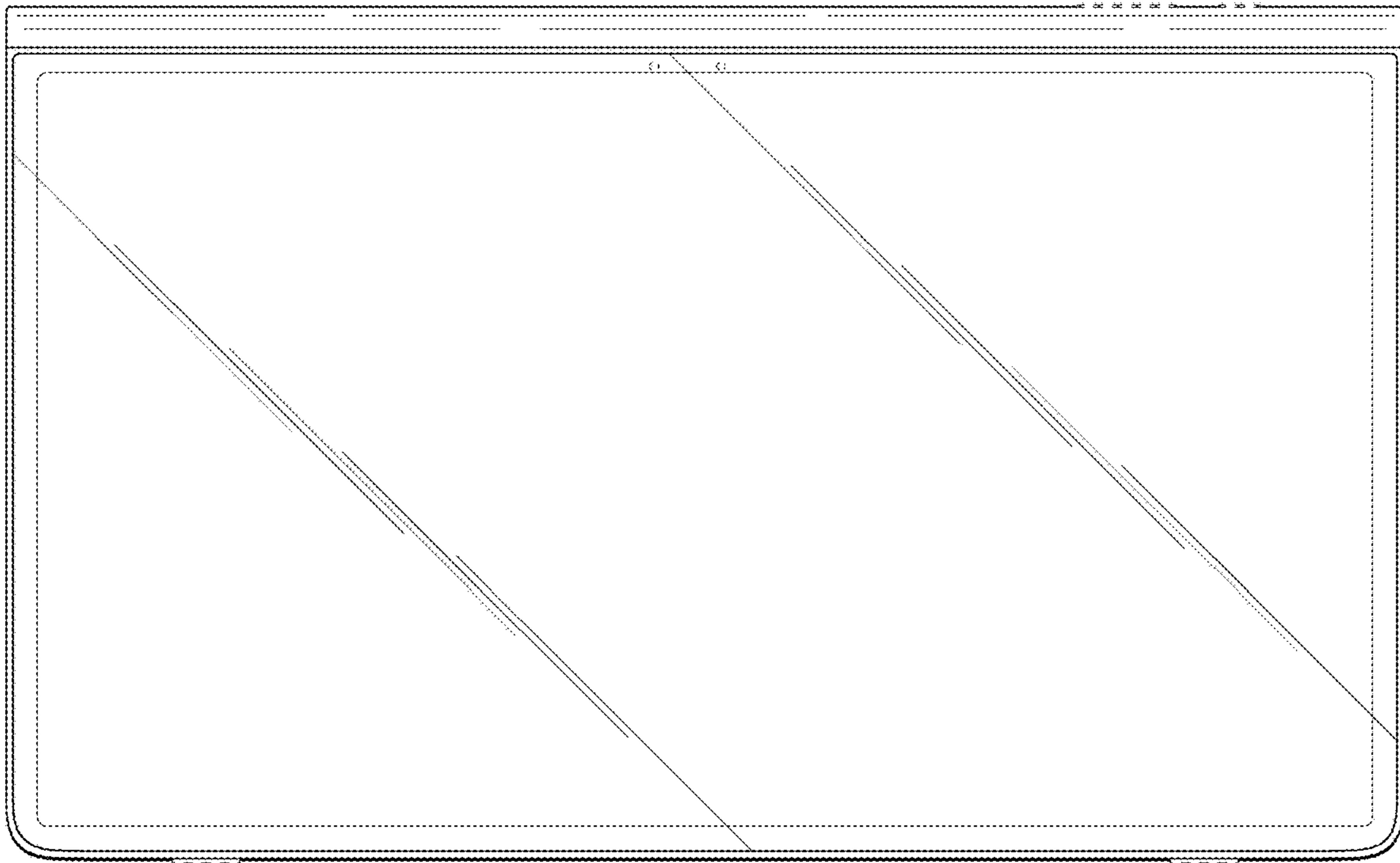


FIG.10

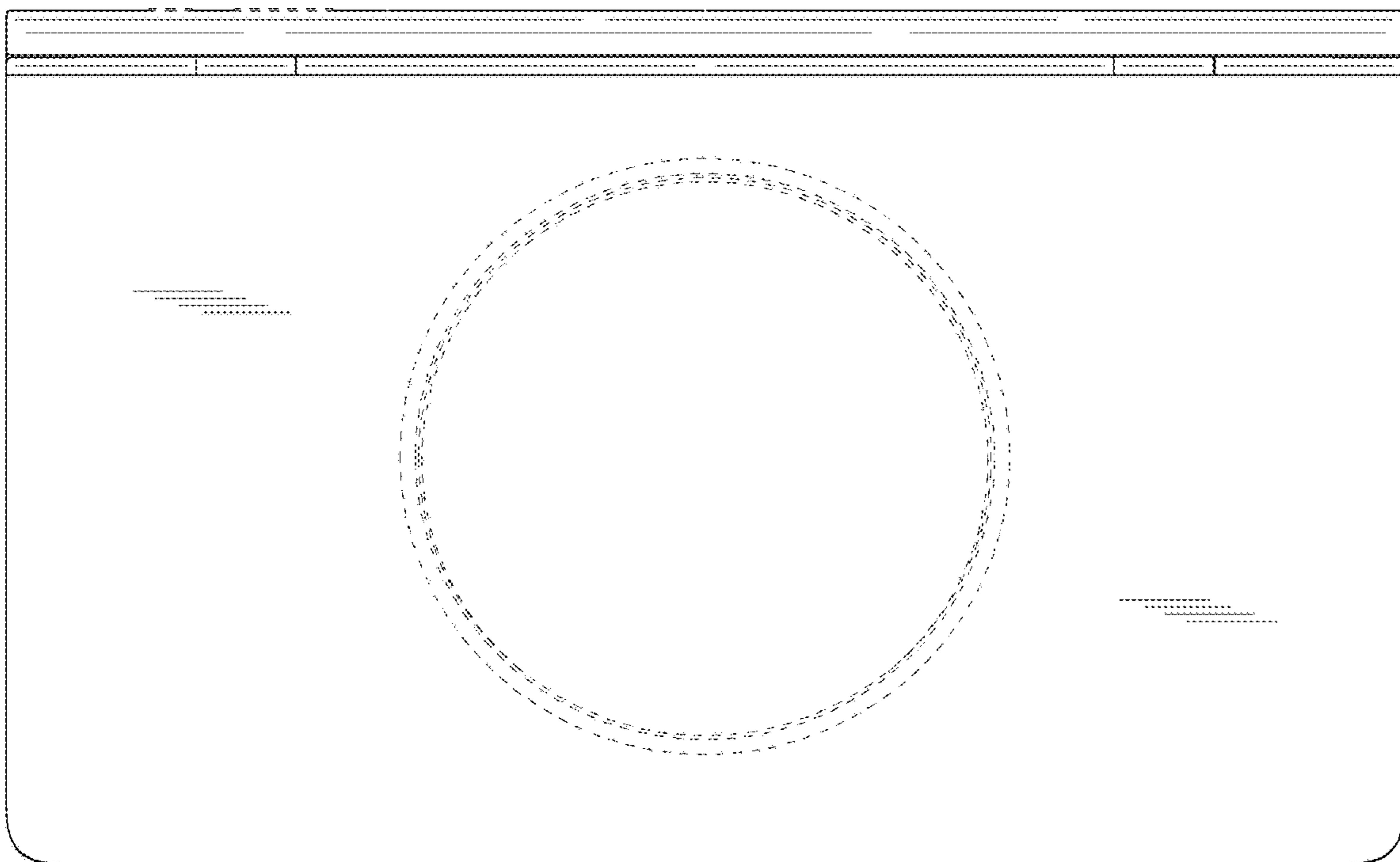


FIG.11

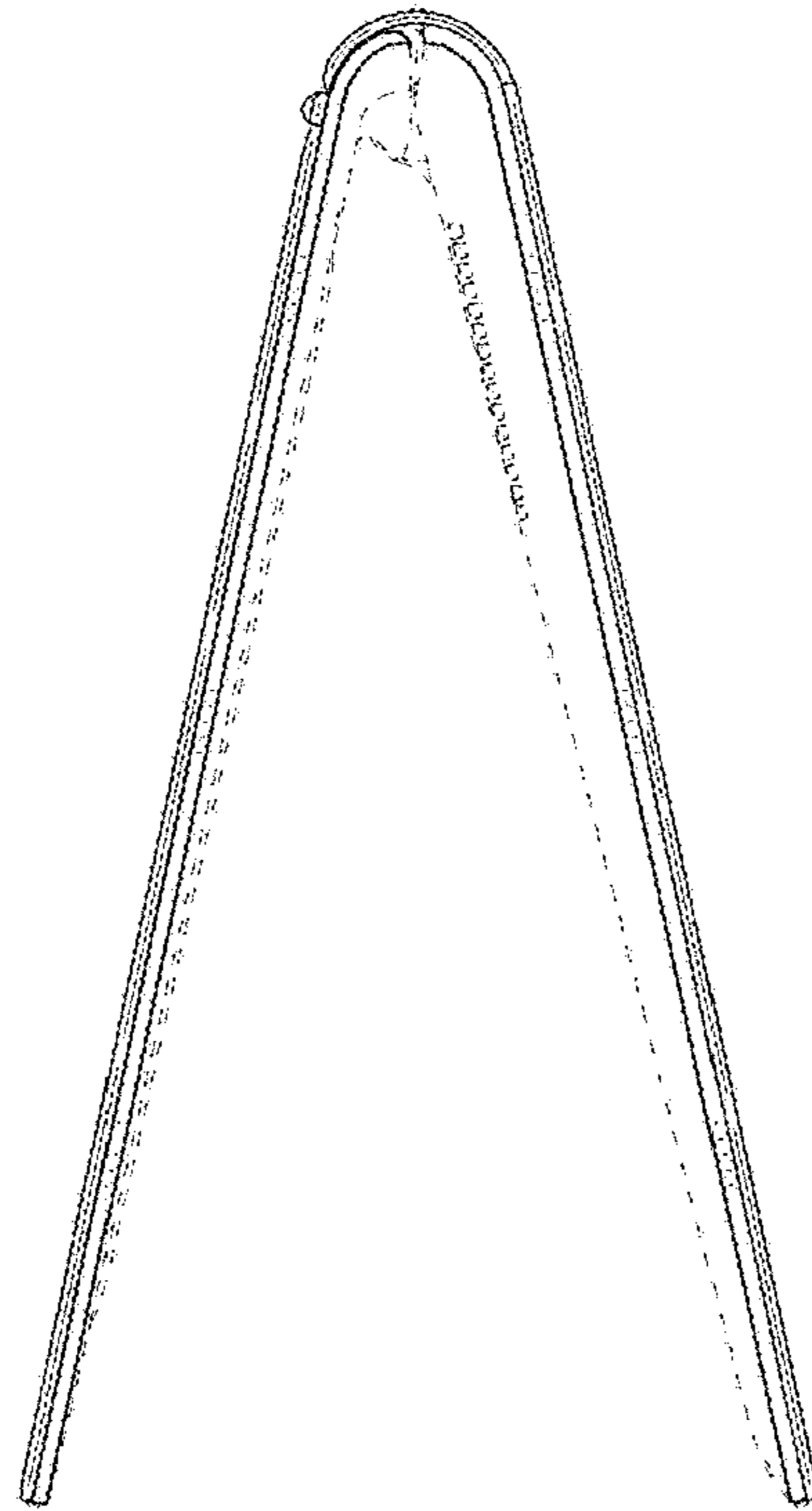


FIG.12

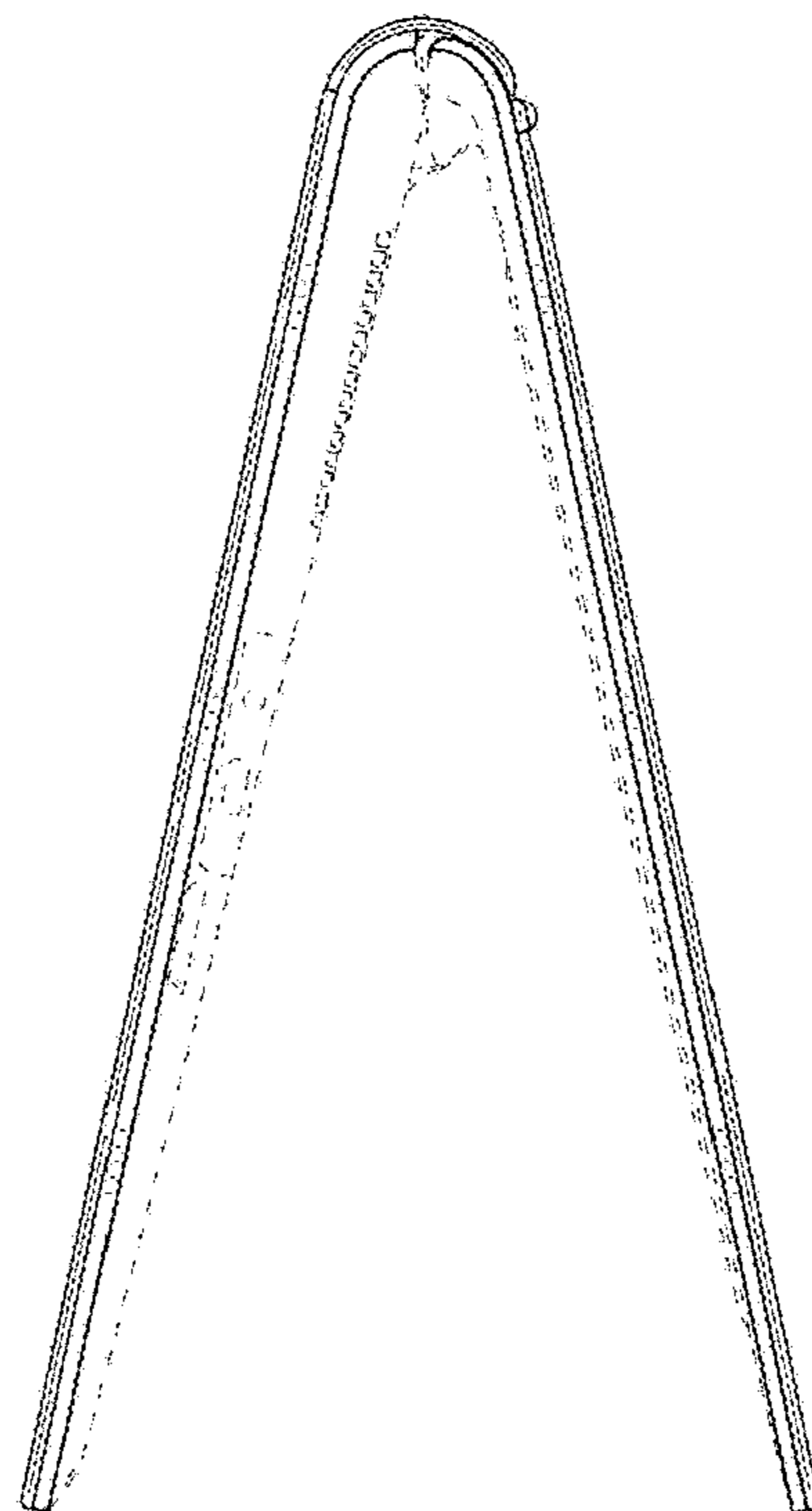


FIG.13

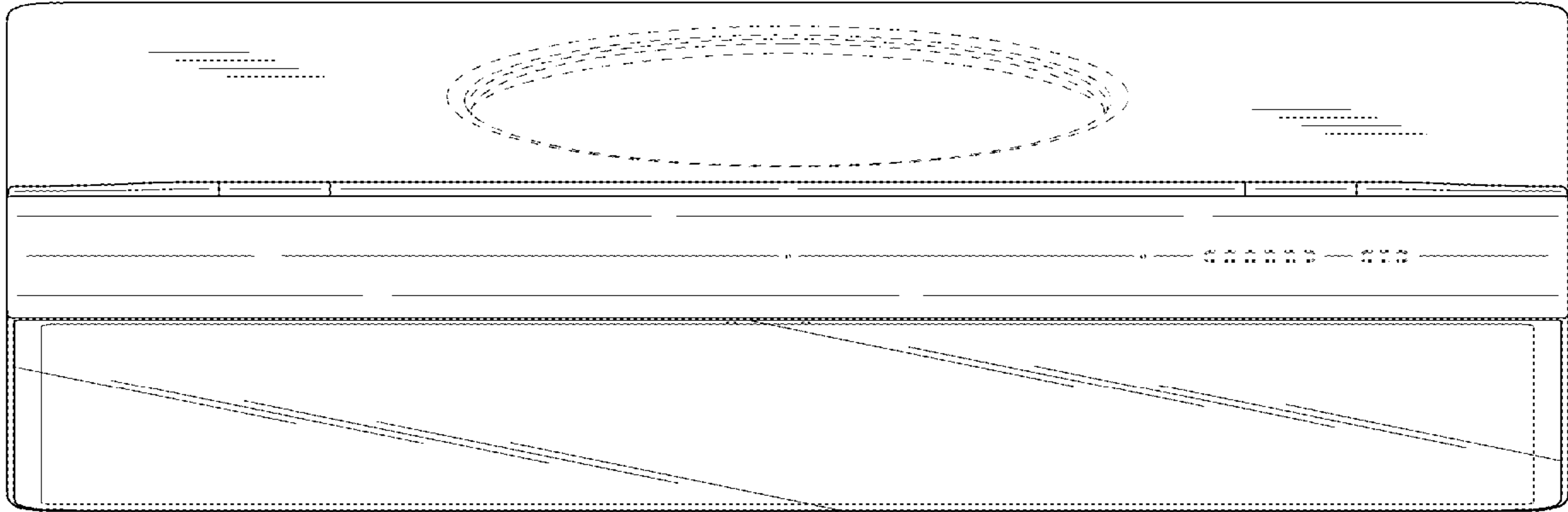


FIG.14

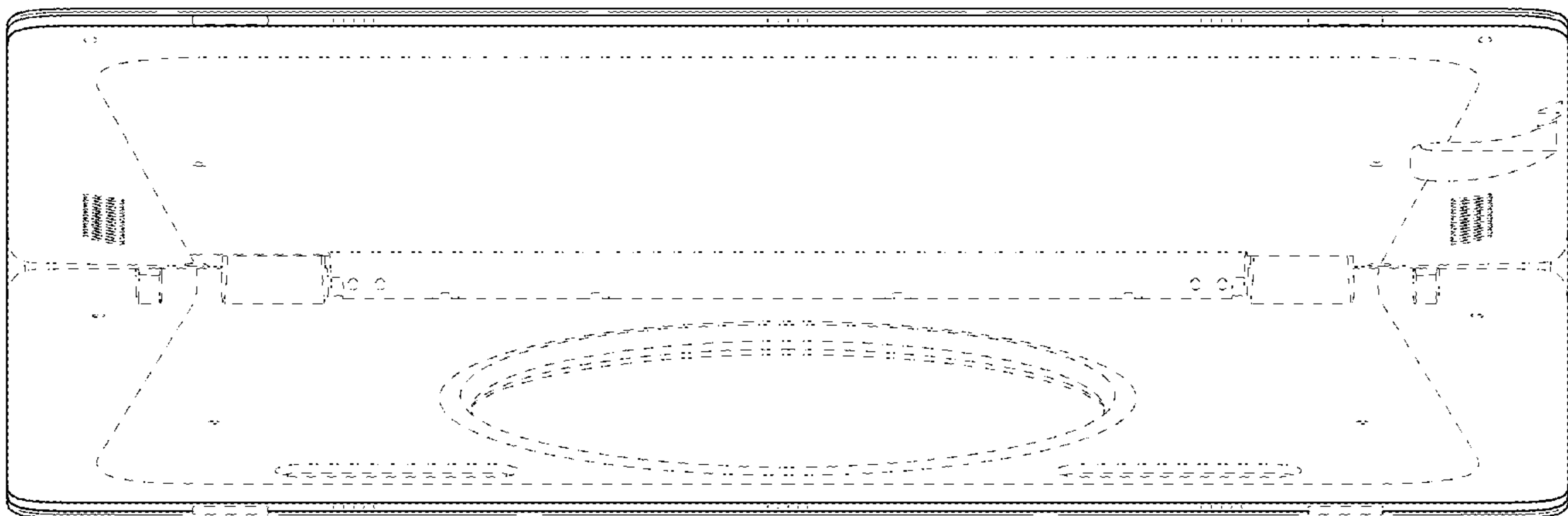


FIG. 15

