



US00D909369S

(12) **United States Design Patent** (10) **Patent No.:** **US D909,369 S**
Wu (45) **Date of Patent:** **** Feb. 2, 2021**

(54) **SMART WATCH**
(71) Applicant: **SHENZHEN DO INTELLIGENT TECHNOLOGY CO., LTD.**, Shenzhen (CN)
(72) Inventor: **Dajun Wu**, Shenzhen (CN)
(73) Assignee: **SHENZHEN DO INTELLIGENT TECHNOLOGY CO., LTD.**, Shenzhen (CN)

9,551,977 B2 * 1/2017 Yang G06F 1/16
D784,325 S * 4/2017 Kim D14/341
D786,240 S 5/2017 Chuang et al.
D789,357 S 6/2017 Wu et al.
9,740,906 B2 * 8/2017 Alnasser G06K 7/10009
D807,877 S * 1/2018 Iwamatsu D14/344
D813,695 S * 3/2018 Nielsen D10/70
10,180,663 B2 * 1/2019 Jang G04G 21/08
10,290,796 B2 * 5/2019 Boukai H02J 3/381
D852,648 S * 7/2019 Chen D10/32
D858,311 S 9/2019 Zhang et al.
D865,546 S * 11/2019 Kellock D10/70

(Continued)

(**) Term: **15 Years**

OTHER PUBLICATIONS

(21) Appl. No.: **29/700,920**
(22) Filed: **Aug. 7, 2019**
(51) **LOC (13) Cl.** **14-02**
(52) **U.S. Cl.**
USPC **D14/344**; D10/32
(58) **Field of Classification Search**
USPC D14/138 r, 144, 341, 344, 358, 388, 218;
D10/30-39, 70, 98; D11/3, 4, 26, 93-94,
D11/78.1, 79, 86; D24/167, 169,
D24/186-187, 164
CPC A41D 1/002; A41D 19/0034; G04G 17/00;
G04G 17/02; G04G 17/08; G04G 17/083;
G04G 17/086; G04C 3/00; G04C 3/001;
G04C 3/002; G04C 3/004; G04C 3/005;
G04C 3/007; G04C 17/00; G04C 23/02;
G04C 23/04; G04B 3/04; G04B 19/24;
G04B 19/26; G04B 37/00; G04B
45/0069; G04B 47/04; G04B 37/0008;
G04B 37/0058; G04B 37/12; G04B
37/18; G04B 45/00; G04B 47/00; G04B
47/042; G04B 47/06; G04B 47/063
See application file for complete search history.

Asus ZenWatch 2 review, Meet your new leader in low-cost Android smartwatches., posted Sep. 28, 2015, [retrieved Jun. 5, 2020]. Retrieved from Internet, <URL: <https://www.androidcentral.com/asus-zenwatch-2-review> >.*

(Continued)

Primary Examiner — George D. Kirschbaum
Assistant Examiner — Joseph J Kukella

(57) **CLAIM**

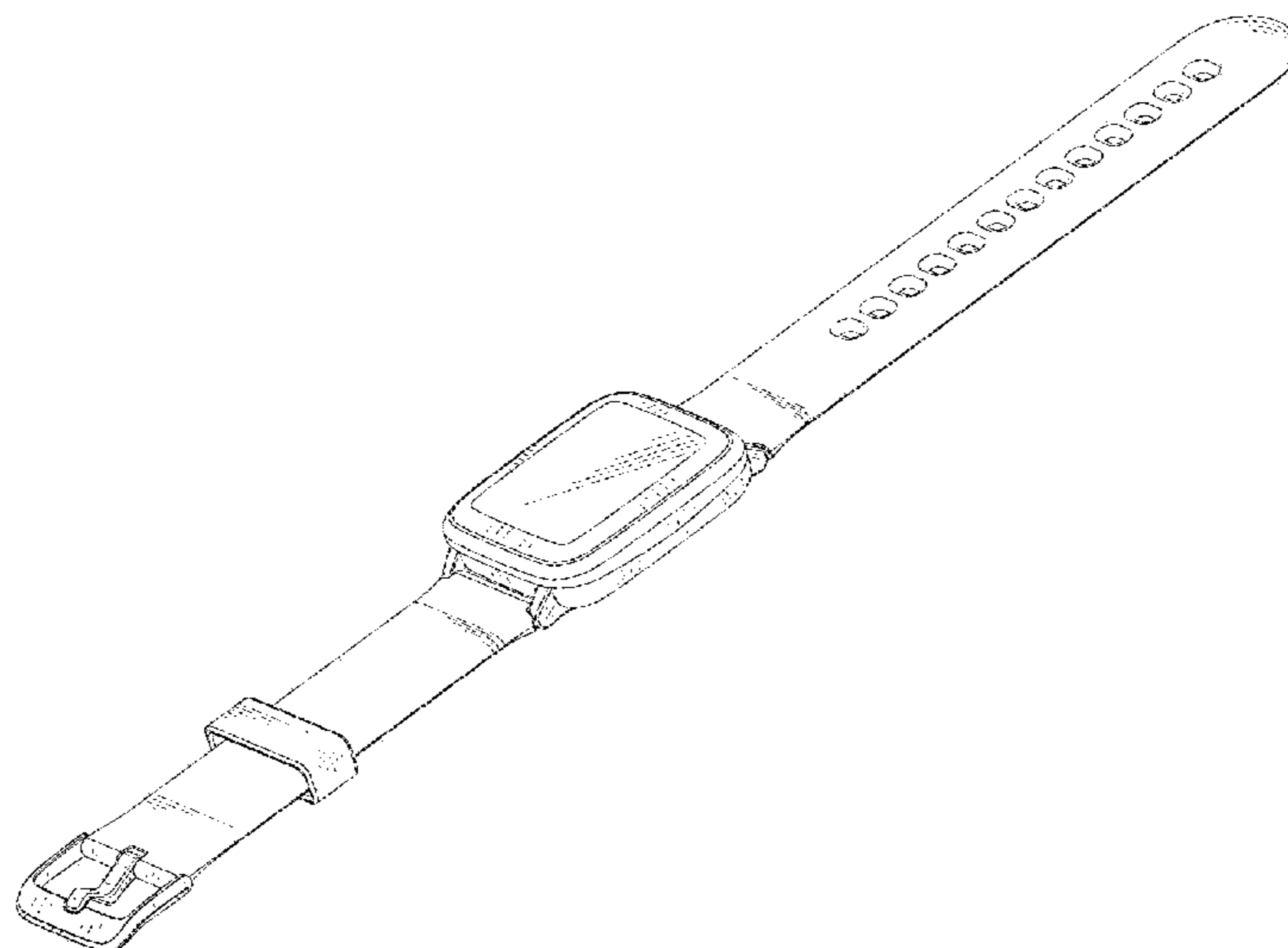
The ornamental design for a smart watch, as shown and described.

DESCRIPTION

FIG. 1 is a first perspective view of a smart watch;
FIG. 2 is a second perspective view thereof;
FIG. 3 is a front elevational view thereof;
FIG. 4 is a rear elevational view thereof;
FIG. 5 is a left side elevational view thereof;
FIG. 6 is a right side elevational view thereof;
FIG. 7 is a top plan view thereof; and,
FIG. 8 is a bottom plan view thereof.
The broken lines in the drawings depict portions of the smart watch that form no part of the claimed design.

(56) **References Cited**
U.S. PATENT DOCUMENTS
D734,176 S * 7/2015 Isaacs D10/30
D761,675 S * 7/2016 Thaveprungsriporn D10/38

1 Claim, 7 Drawing Sheets



(56)

References Cited

U.S. PATENT DOCUMENTS

D866,350 S * 11/2019 Park D10/38
D881,185 S * 4/2020 He D14/344

OTHER PUBLICATIONS

The Asus ZenWatch 2 is the most customizable Android Wear watch yet, posted Sep. 2, 2015, [retrieved Jun. 5, 2020]. Retrieved from Internet, <URL: <https://www.digitaltrends.com/wearables/asus-zenwatch-2-news/>>.*

Letsfit Smart Watch, posted Aug. 26, 2019, [retrieved Jun. 6, 2020]. Retrieved from Internet, <URL: <https://www.amazon.com/Letsfit-Activity-Waterproof-Pedometer-Smartwatch/dp/B07X2KLTJ2?th=1>>.*

* cited by examiner

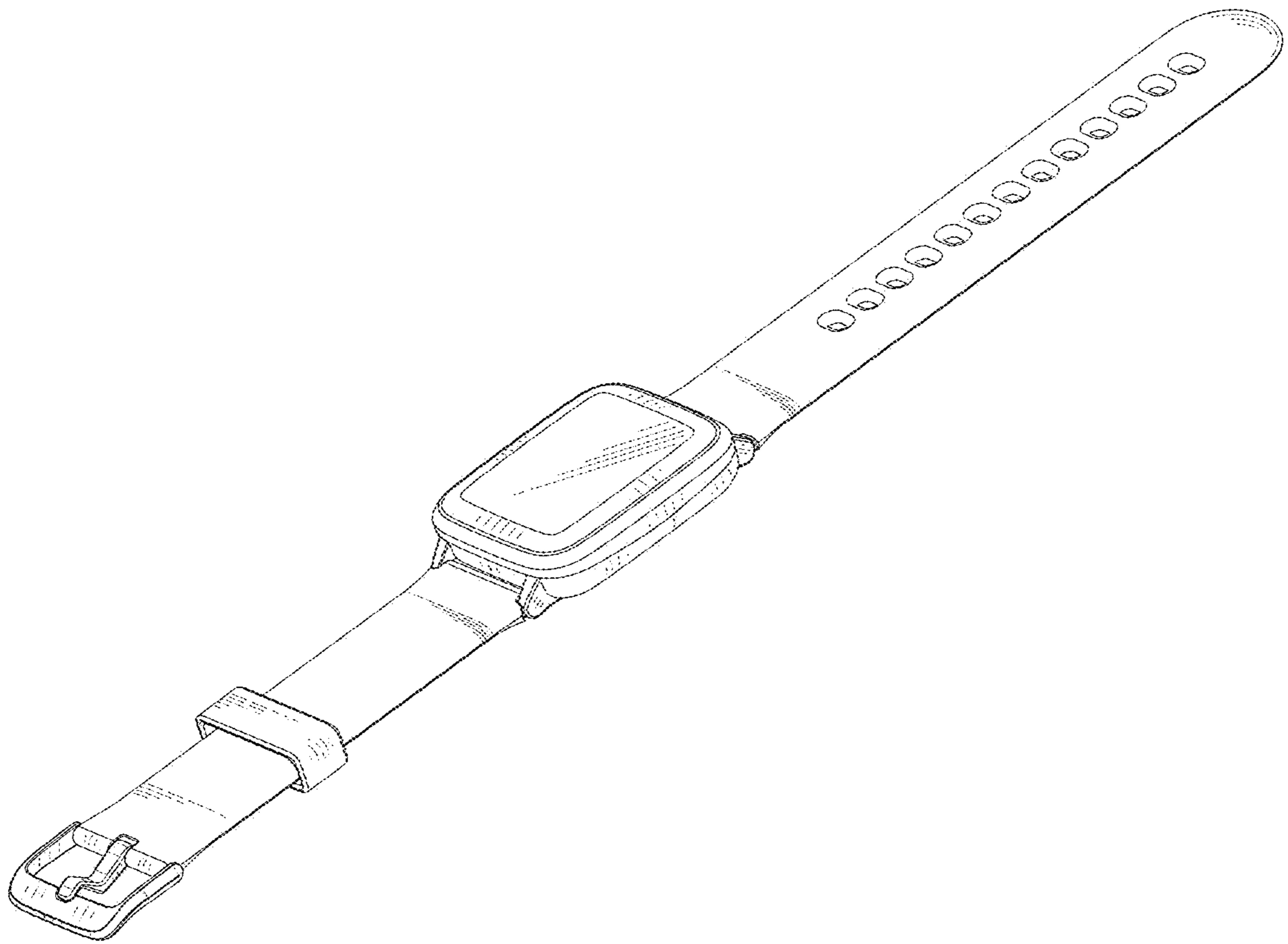


FIG. 1

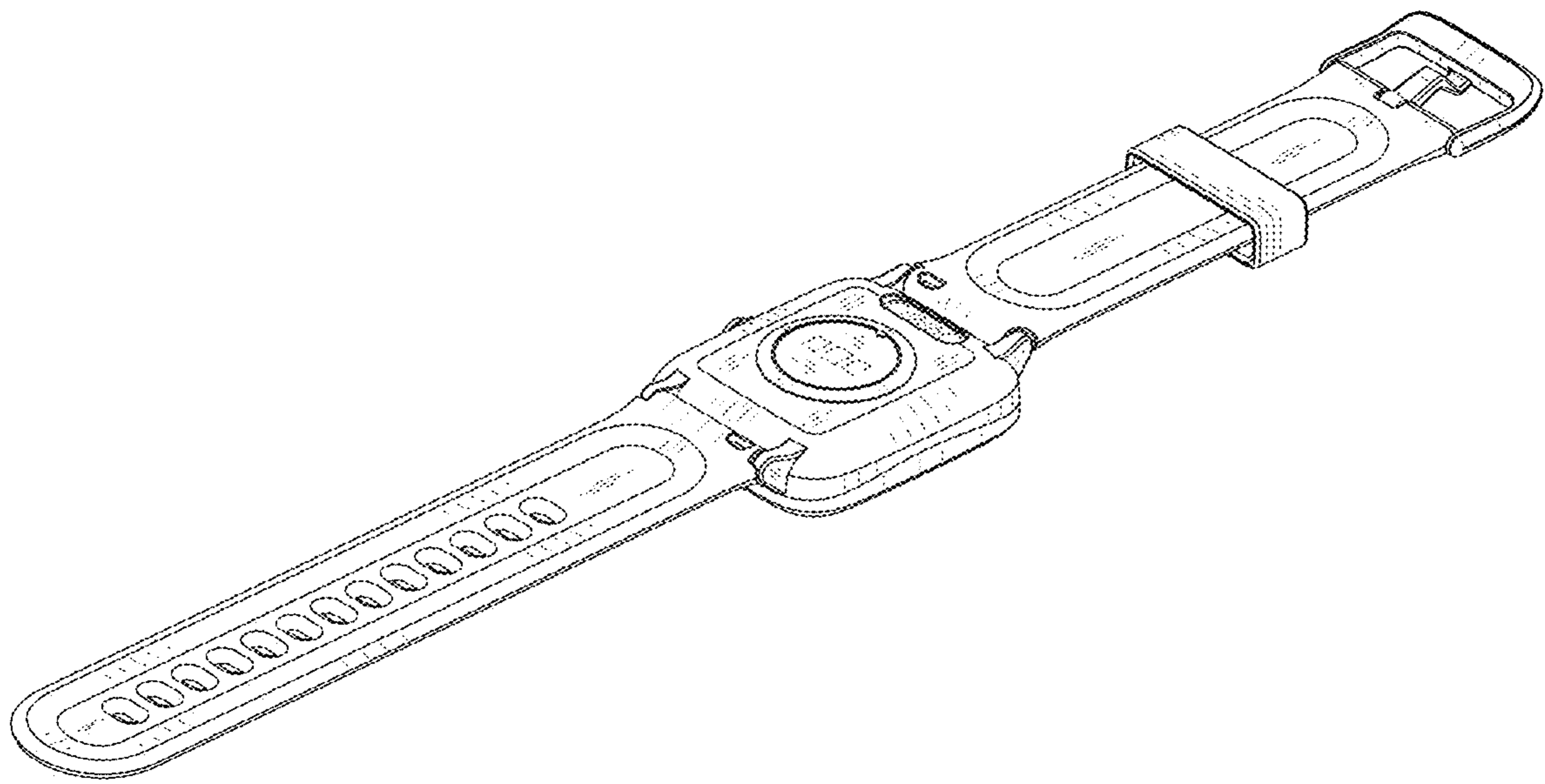


FIG. 2

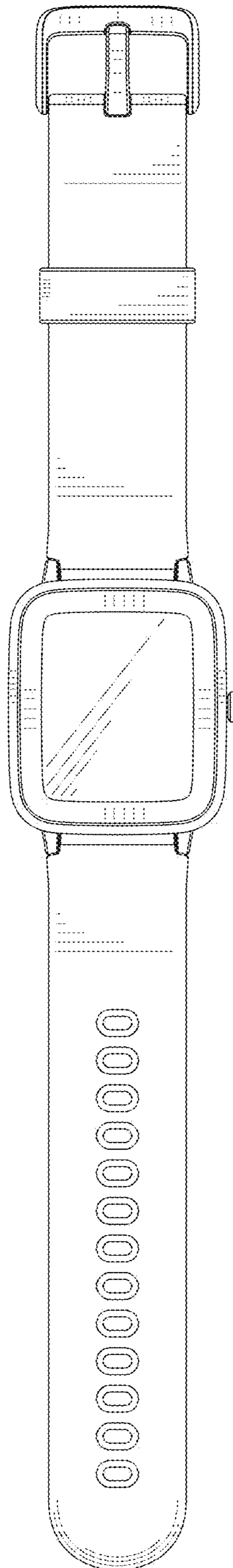


FIG. 3

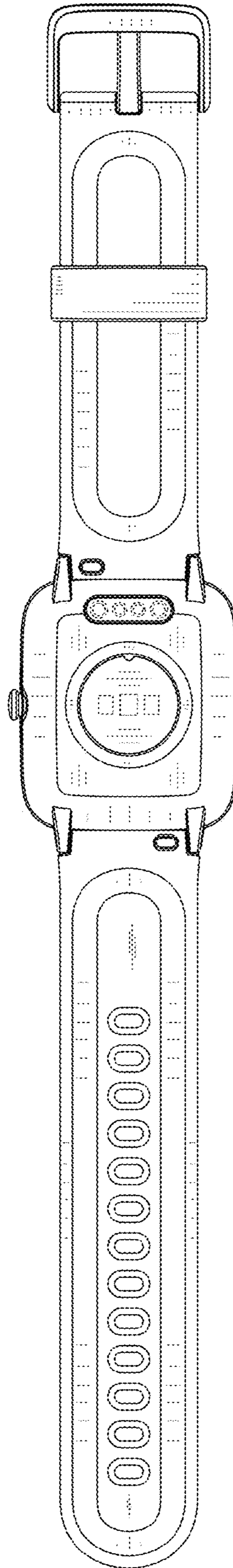


FIG. 4

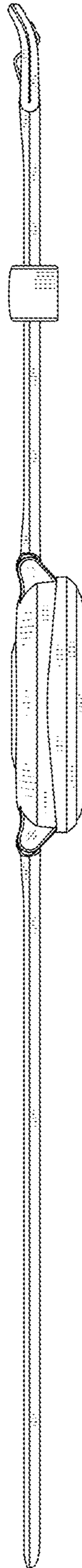


FIG. 5

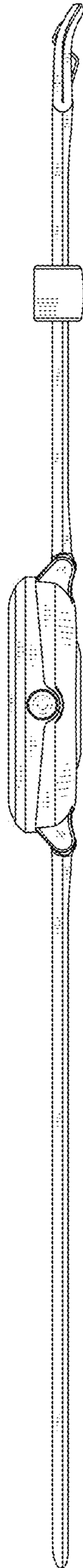


FIG. 6

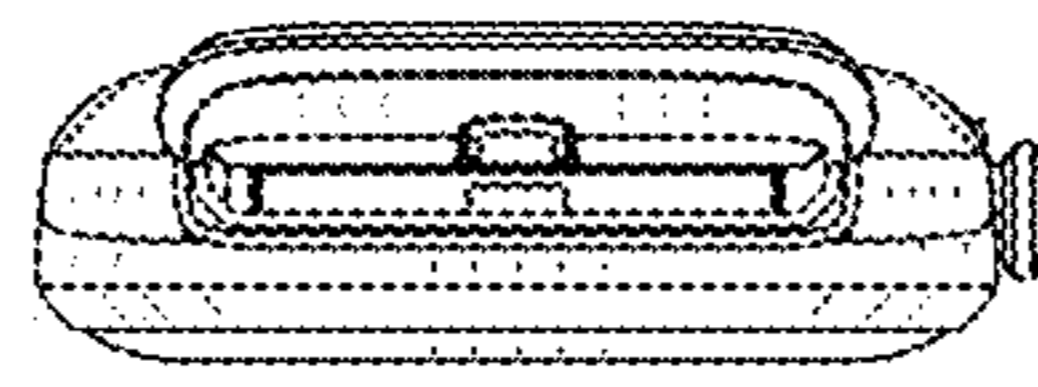


FIG. 7

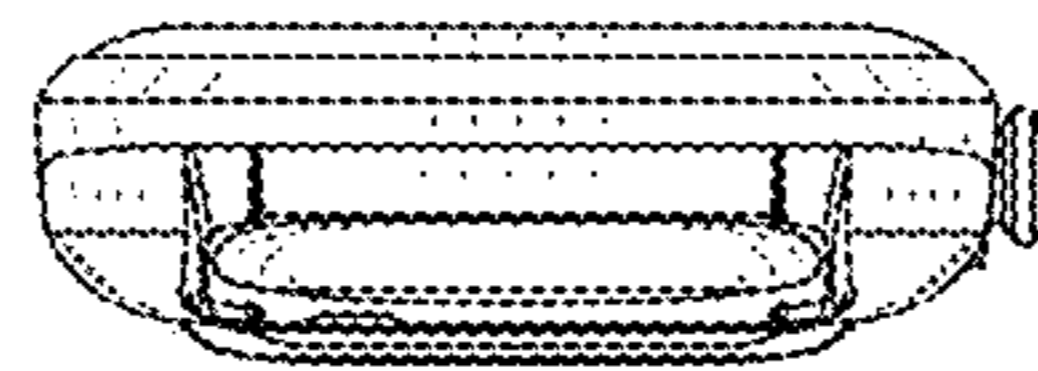


FIG. 8