



US00D909368S

(12) **United States Design Patent** (10) **Patent No.:** **US D909,368 S**  
**Seo et al.** (45) **Date of Patent:** **\*\* Feb. 2, 2021**

(54) **COMPUTER MONITOR**

(71) Applicant: **Samsung Electronics Co., Ltd.**,  
Suwon-si (KR)  
(72) Inventors: **Young Jin Seo**, Seoul (KR); **Taeyeon Won**,  
Yongin-si (KR)  
(73) Assignee: **SAMSUNG ELECTRONICS CO., LTD.**,  
Suwon-si (KR)  
(\*\*) Term: **15 Years**

(21) Appl. No.: **29/681,079**

(22) Filed: **Feb. 22, 2019**

(30) **Foreign Application Priority Data**

Aug. 27, 2018 (KR) ..... 30-2018-0039683

(51) **LOC (13) Cl.** ..... **14-02**

(52) **U.S. Cl.**  
USPC ..... **D14/336**

(58) **Field of Classification Search**  
USPC ..... D14/336, 337, 341, 375, 376, 377, 127,  
D14/128, 129, 371, 372, 373, 374, 126  
CPC ..... G06F 1/1601; G06F 1/1605; G06F 1/162  
See application file for complete search history.

(56) **References Cited**

**U.S. PATENT DOCUMENTS**

D694,208 S	11/2013	Duys et al.	
D725,616 S *	3/2015	Oh	D14/126
D725,649 S *	3/2015	Pak	D14/336
D796,508 S *	9/2017	Oh	D14/374
D806,069 S *	12/2017	Peng	D14/336
D810,744 S *	2/2018	Wang	D14/374

(Continued)

**FOREIGN PATENT DOCUMENTS**

EM	003055771-0005	4/2016
KR	30-0687001 S	3/2013
KR	30-0757709 S	8/2014
KR	300893196.0000 *	2/2020
WO	D095256-009 *	9/2017

**OTHER PUBLICATIONS**

YouTube. Link: <https://www.youtube.com/watch?v=66xwDFppGxc>.  
Mar 18, 2018. The Tech Chap: BenQ EX3501R Review—35"  
“HDR” Ultrawide Monitor. (Year: 2018).\*

(Continued)

*Primary Examiner* — Lauren D McVey  
(74) *Attorney, Agent, or Firm* — McAndrews Held &  
Malloy, Ltd.

(57) **CLAIM**

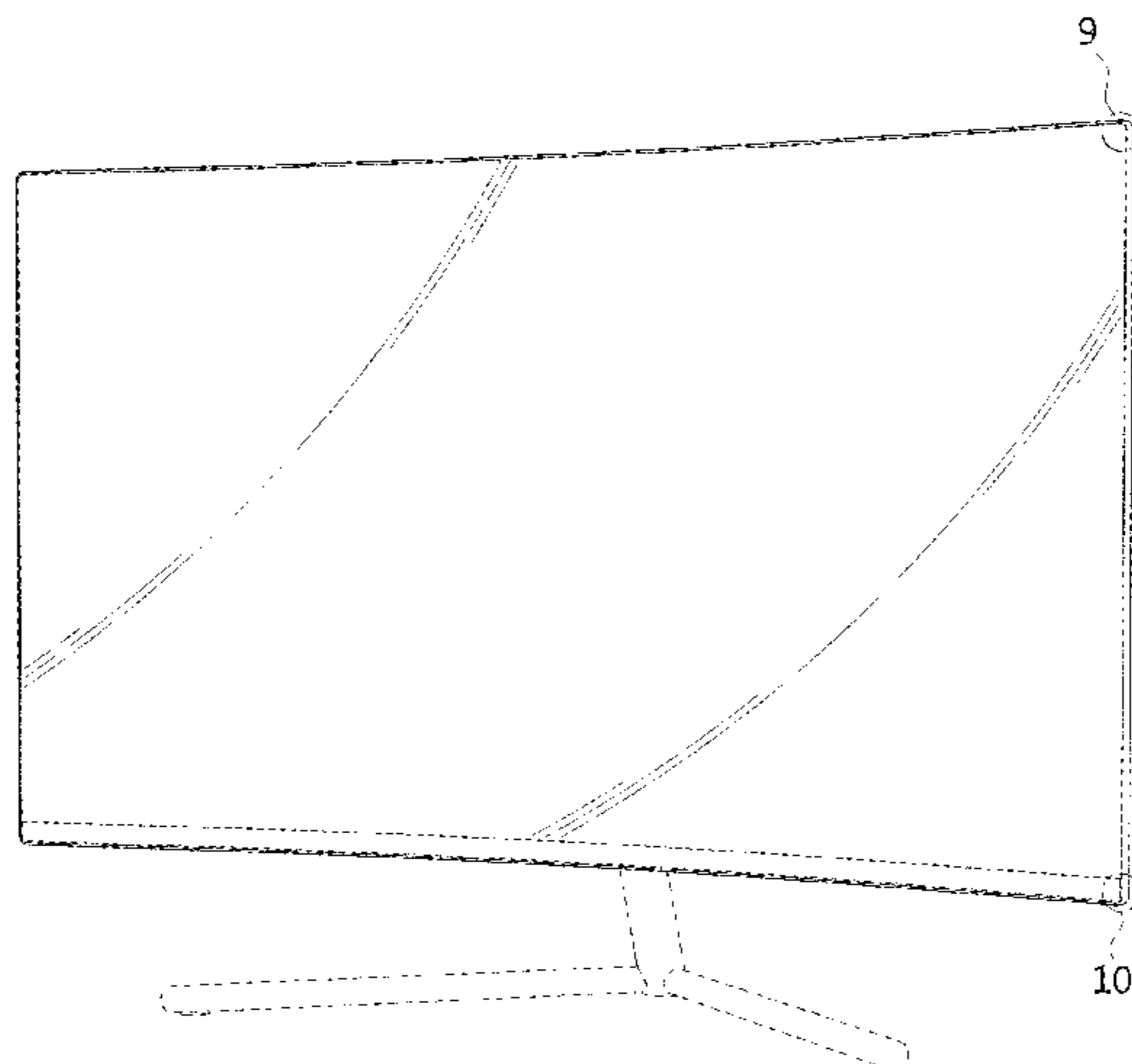
The ornamental design for a computer monitor, as shown  
and described.

**DESCRIPTION**

FIG. 1 is a front perspective view of a computer monitor  
showing our new design;  
FIG. 2 is a front elevation view thereof;  
FIG. 3 is a rear elevation view thereof;  
FIG. 4 is a left side elevation view thereof;  
FIG. 5 is a right side elevation view thereof;  
FIG. 6 is a top plan view thereof;  
FIG. 7 is a bottom plan view thereof;  
FIG. 8 is a rear perspective view thereof;  
FIG. 9 is an enlarged view of the portion 9 encircled in FIG.  
1; and,  
FIG. 10 is an enlarged view of the portion 10 encircled in  
FIG. 1.

The dash-dash broken lines in the figures depict portions of  
the computer monitor that form no part of the claimed  
design. In addition, the unshaded surface that directly  
adjoins the lower front solid line edge forms no part of the  
claimed design. The dot-dot-dash broken lines in the figures  
encircle portions of the claimed design that are illustrated in  
enlargements, and form no part of the claimed design.

**1 Claim, 8 Drawing Sheets**



(56)

**References Cited**

## U.S. PATENT DOCUMENTS

D819,028	S	*	5/2018	Seo	.....	D14/374
D819,029	S	*	5/2018	Seo	.....	D14/374
D836,110	S	*	12/2018	Quijano	.....	D14/374
D872,085	S	*	1/2020	Lee	.....	D14/374
D888,054	S	*	6/2020	Tai	.....	D14/374
D895,617	S	*	9/2020	Little	.....	D14/374
D900,816	S	*	11/2020	Kim	.....	D14/374
D900,817	S	*	11/2020	Ryu	.....	D14/374

## OTHER PUBLICATIONS

Amazon. Link: [https://www.amazon.com/dp/B07CS3JB5K/ref=cm\\_sw\\_em\\_r\\_mt\\_dp\\_3DWMFbSNNMBSK?\\_encoding=UTF8&psc=1](https://www.amazon.com/dp/B07CS3JB5K/ref=cm_sw_em_r_mt_dp_3DWMFbSNNMBSK?_encoding=UTF8&psc=1). Apr. 27, 2018. Samsung LC34J791VVTNXZA 34-Inch CJ791 Ultrawide Curved Gaming Monitor, White. (Year: 2018).\*

LG, "34UC97 21:9 Curved UltraWide Monitor 34UC97", published at [www.lg.com](http://www.lg.com): [http://www.lg.com/hk\\_en/monitor/lg-34UC97](http://www.lg.com/hk_en/monitor/lg-34UC97) (Last accessed Feb. 18, 2019).

Unknown, "Multi-purpose monitor for optimal viewing experience", published at [www.benq.com](http://www.benq.com): <http://www.benq.co.kr/product/monitor/xr3501/> (Last accessed Feb. 18, 2019).

Unknown, "Lenovo Y27g e Y27g Razer Edition, monitor curvi da 144Hz e NVIDIA G-Sync", published at [www.hwupgrade.it](http://www.hwupgrade.it): [http://www.hwupgrade.it/news/periferiche/lenovo-y27g-e-y27g-razer-edition-monitor-curvi-da-144hz-e-nvidia-g-sync\\_60117.html](http://www.hwupgrade.it/news/periferiche/lenovo-y27g-e-y27g-razer-edition-monitor-curvi-da-144hz-e-nvidia-g-sync_60117.html) (Last accessed Feb. 18, 2019).

\* cited by examiner

FIG. 1

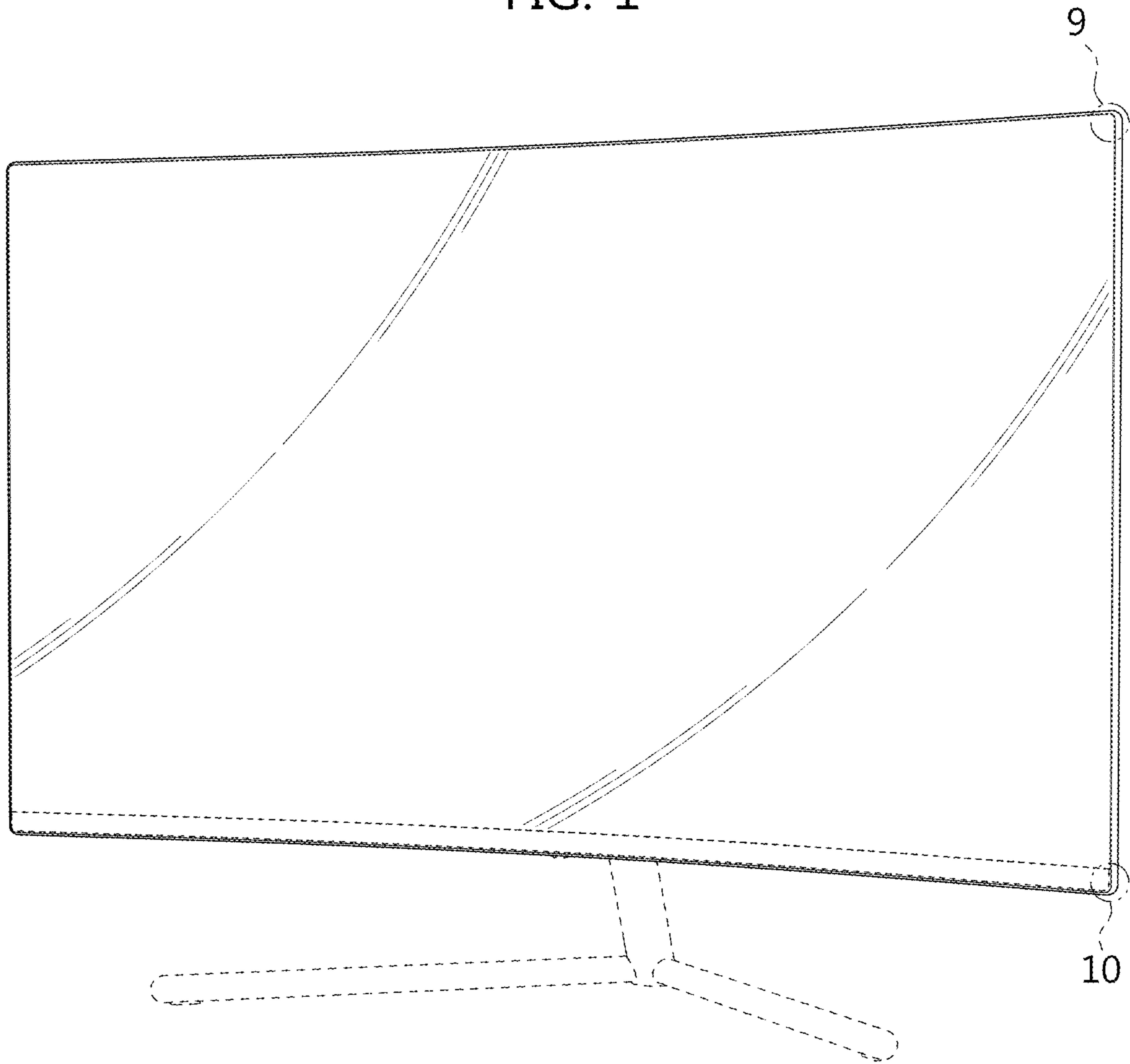


FIG. 2

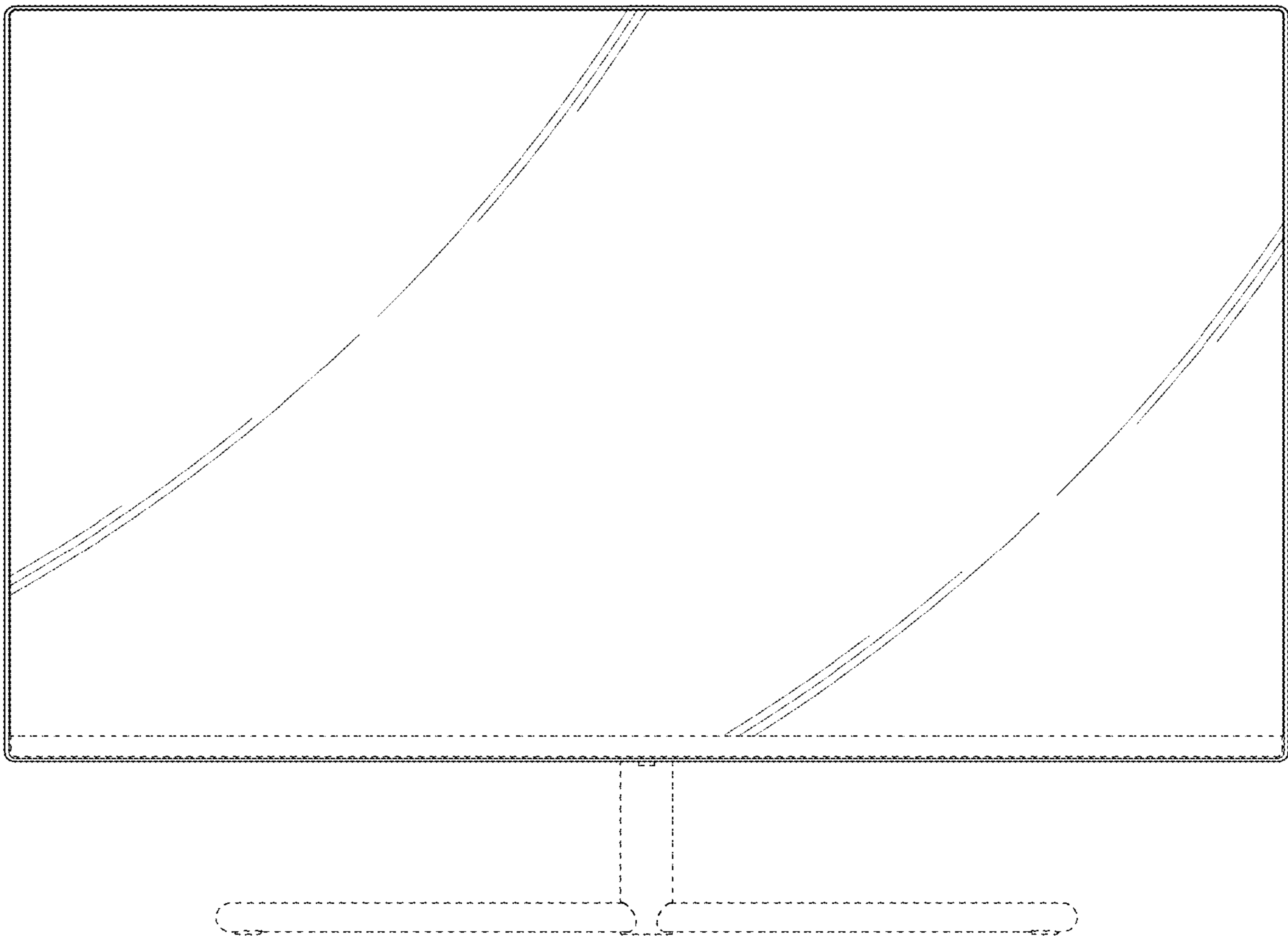


FIG. 3

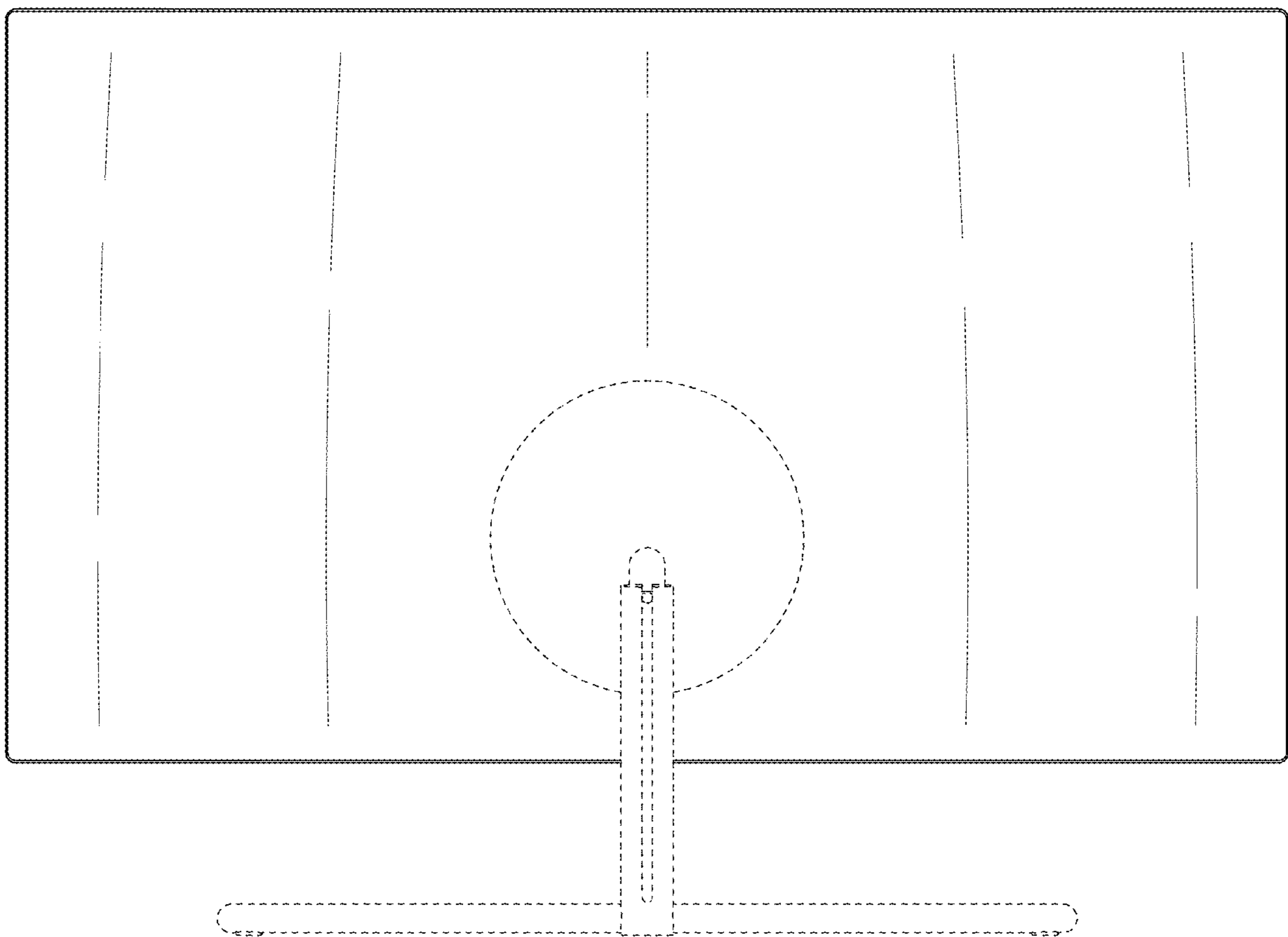


FIG. 4

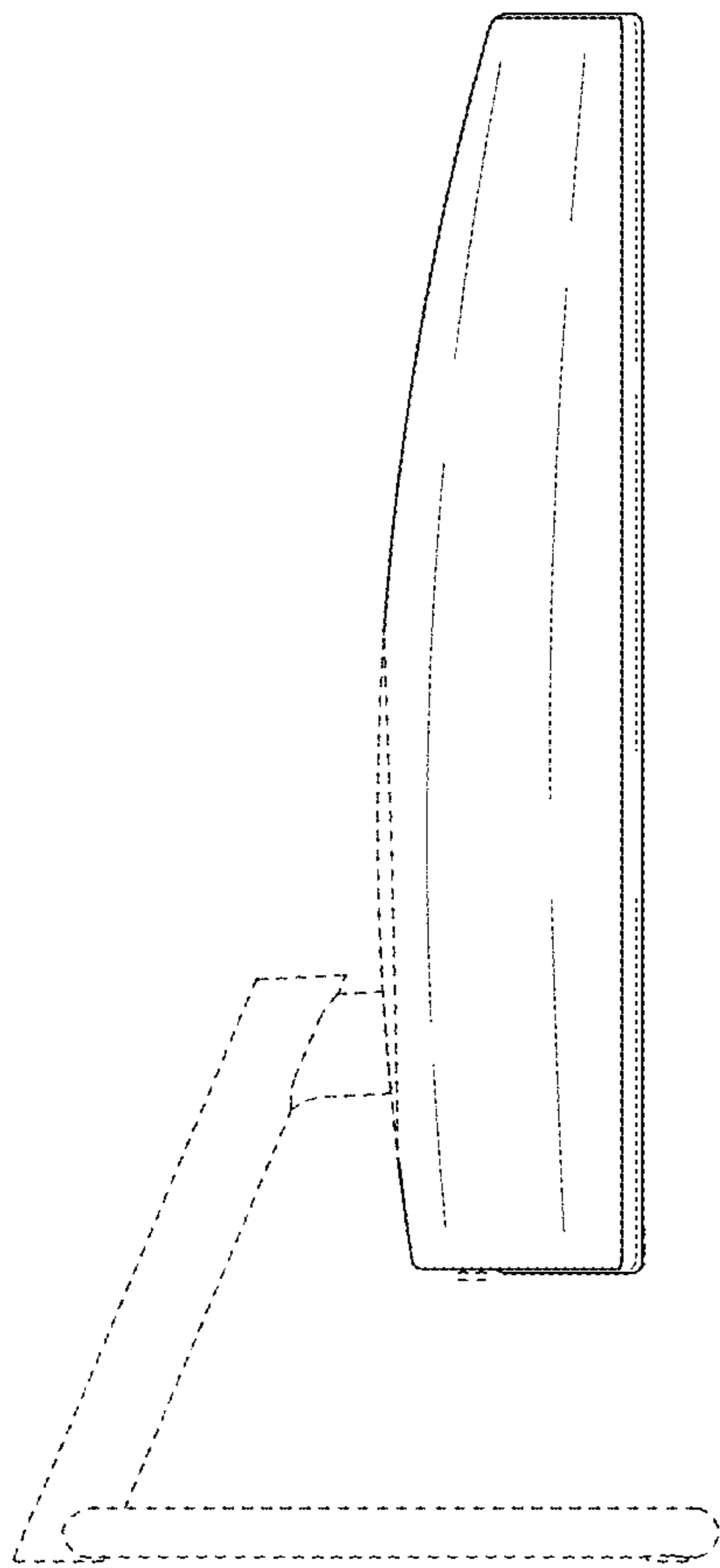


FIG. 5

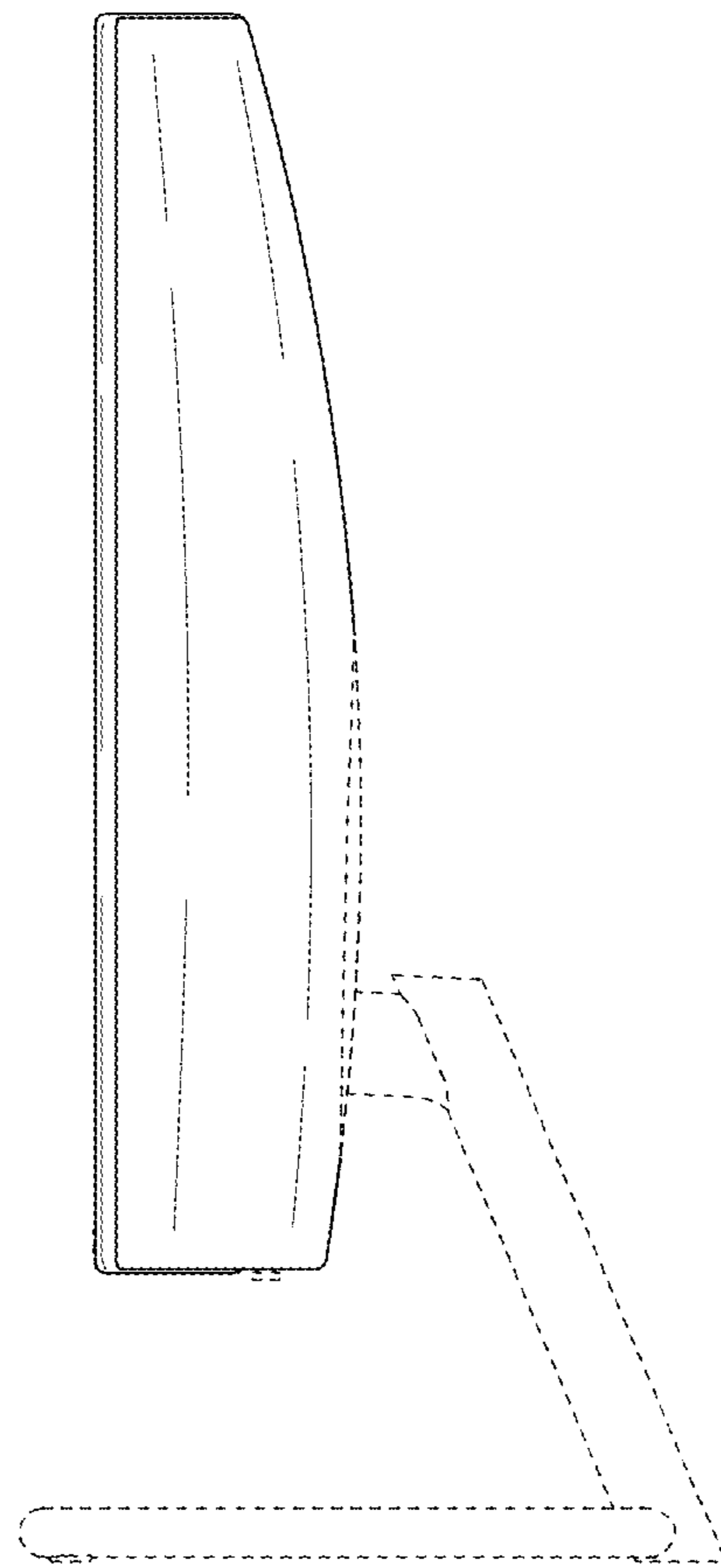


FIG. 6

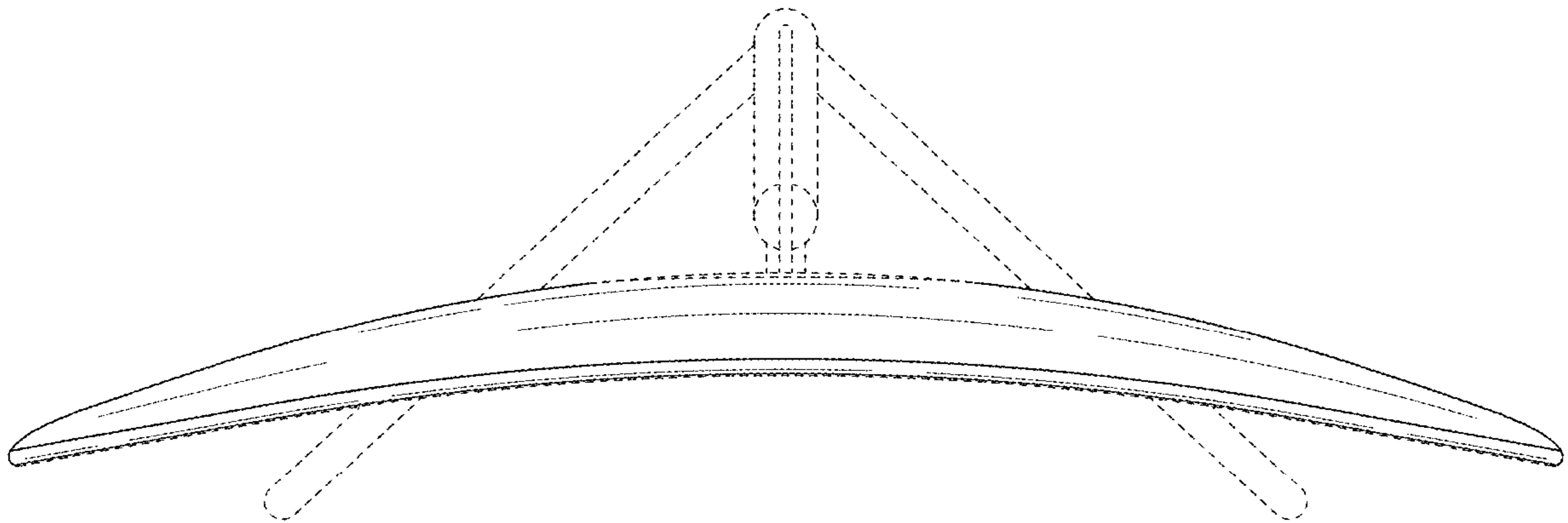


FIG. 7

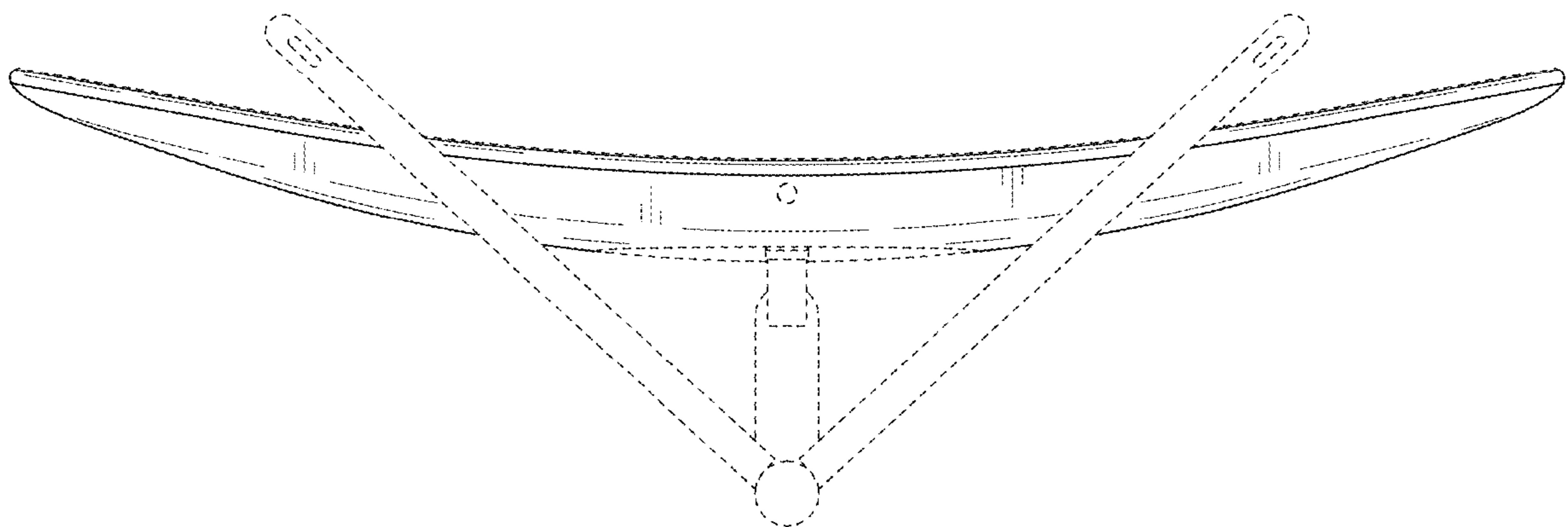


FIG. 8

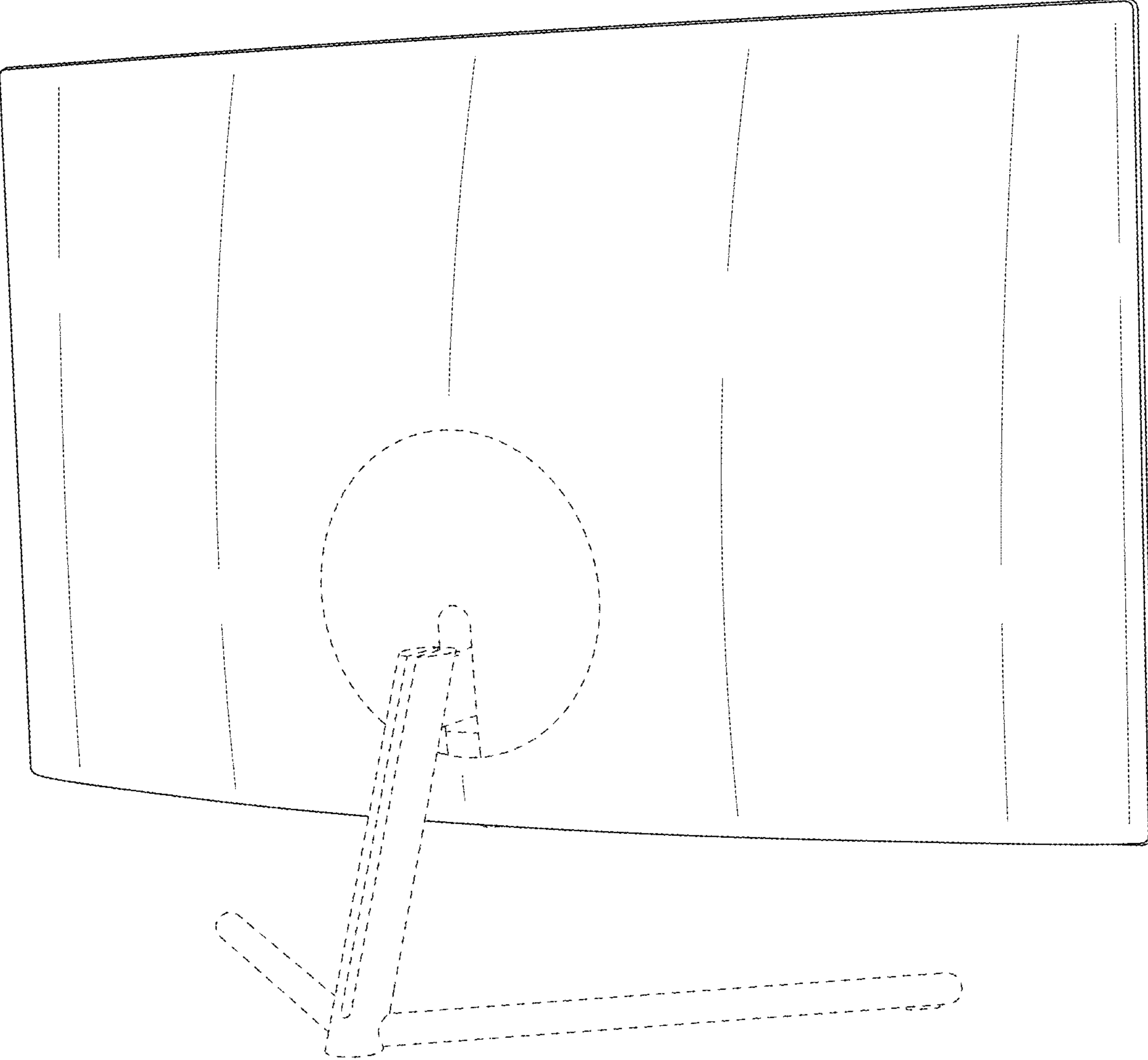




FIG. 9

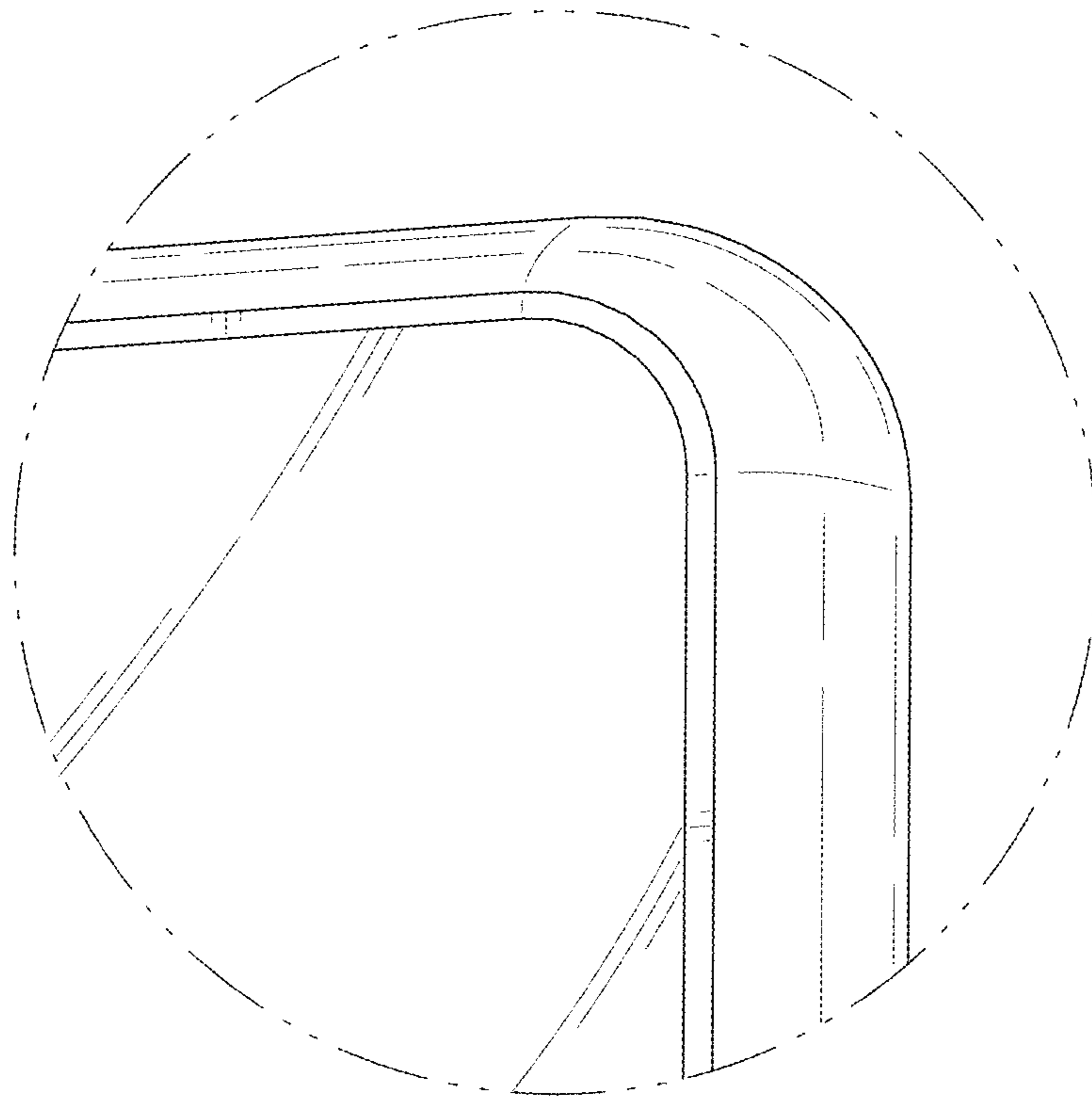


FIG. 10

