



US00D909362S

(12) **United States Design Patent**
Cheng

(10) **Patent No.:** **US D909,362 S**

(45) **Date of Patent:** **** Feb. 2, 2021**

(54) **STAND FOR MOBILE TELEPHONES**

(71) Applicant: **Shenzhen Icheckey Technology Co., Ltd., Shenzhen (CN)**

(72) Inventor: **Xiongjun Cheng, Shenzhen (CN)**

(**) Term: **15 Years**

(21) Appl. No.: **29/701,530**

(22) Filed: **Aug. 13, 2019**

(51) **LOC (13) Cl.** **14-03**

(52) **U.S. Cl.**
USPC **D14/253**

(58) **Field of Classification Search**
USPC D14/251-253, 447, 452, 432-434, 440;
D12/415; D3/218
CPC H04M 1/02; H04M 1/04; B60R 11/02;
F16M 11/00; F16M 11/04; F16M 11/06
See application file for complete search history.

(56) **References Cited**

U.S. PATENT DOCUMENTS

9,975,497	B2 *	5/2018	Kim	F16M 11/041
D826,225	S *	8/2018	Chen	D14/253
D831,660	S *	10/2018	Yao	D14/447
D840,995	S *	2/2019	Balmer	D14/253
D845,960	S *	4/2019	Yao	D14/447
D854,006	S *	7/2019	Wang	D14/253

D859,393	S *	9/2019	Dang	D14/253
D877,688	S *	3/2020	Liu	D12/415
D881,200	S *	4/2020	Leeds-Frank	D14/447
D887,417	S *	6/2020	Yarbough	D14/447
D892,787	S *	8/2020	Chen	D14/253
D894,829	S *	9/2020	Zhang	D13/108
D895,602	S *	9/2020	Cheng	D14/253
2010/0295228	A1 *	11/2010	Woody	B60R 11/0258 269/254 R

* cited by examiner

Primary Examiner — Janice Hallmark

(74) *Attorney, Agent, or Firm* — ZANIP

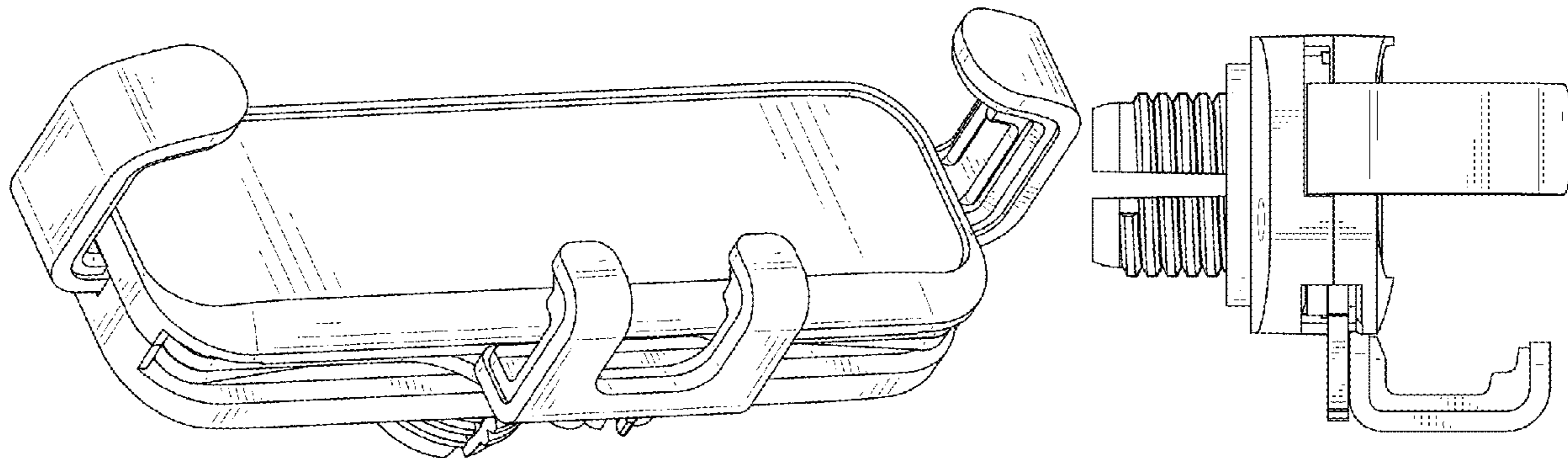
(57) **CLAIM**

The ornamental design for a stand for mobile telephones, as shown and described.

DESCRIPTION

FIG. 1 is a perspective view of a stand for mobile telephones showing my new design;
FIG. 2 is a front elevational view thereof;
FIG. 3 is a back elevational view thereof;
FIG. 4 is a left side elevational view thereof;
FIG. 5 is a right side elevational view thereof;
FIG. 6 is atop plan view thereof; and,
FIG. 7 is a bottom plan view thereof.
The broken lines in the figures illustrate portions of the stand for mobile telephones that form no part of the claimed design.

1 Claim, 7 Drawing Sheets



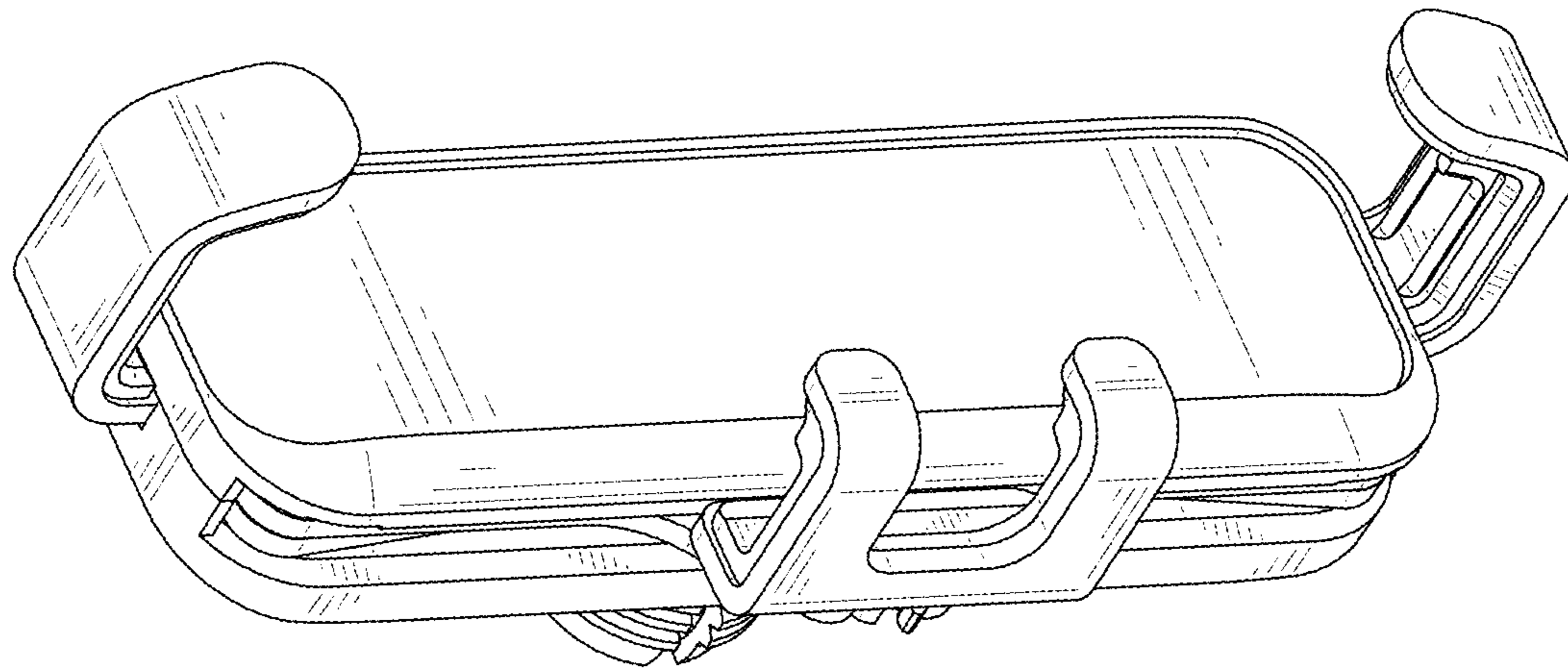


FIG. 1

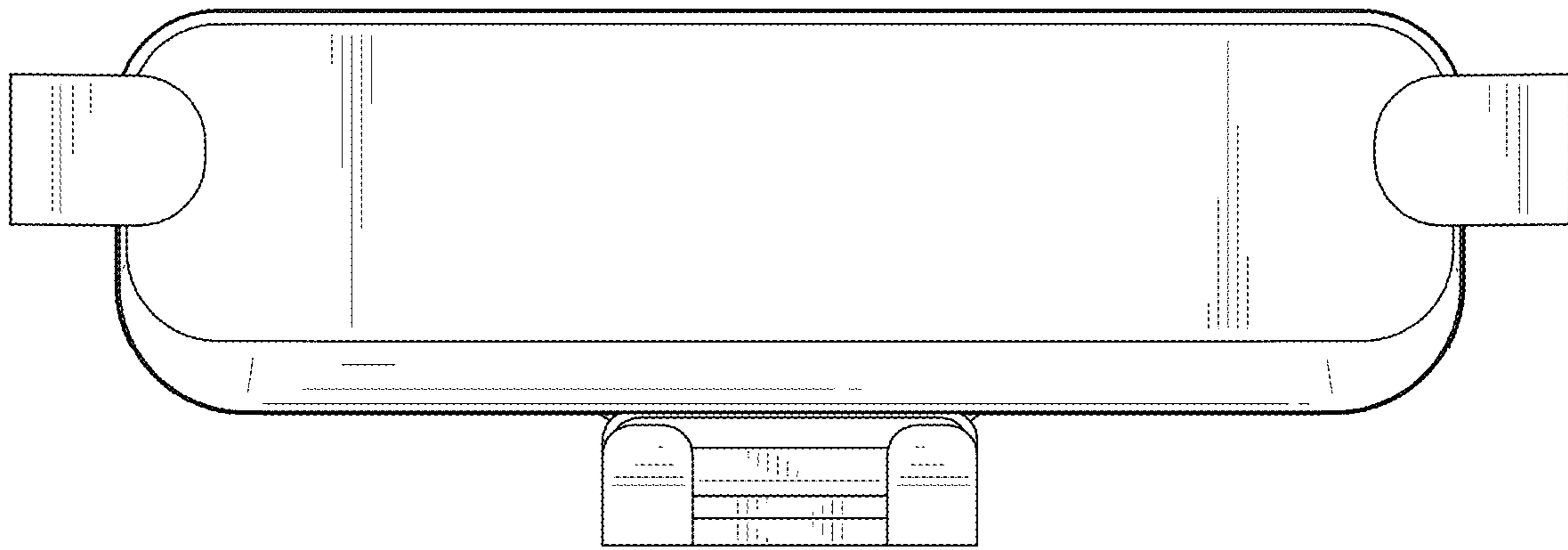


FIG. 2

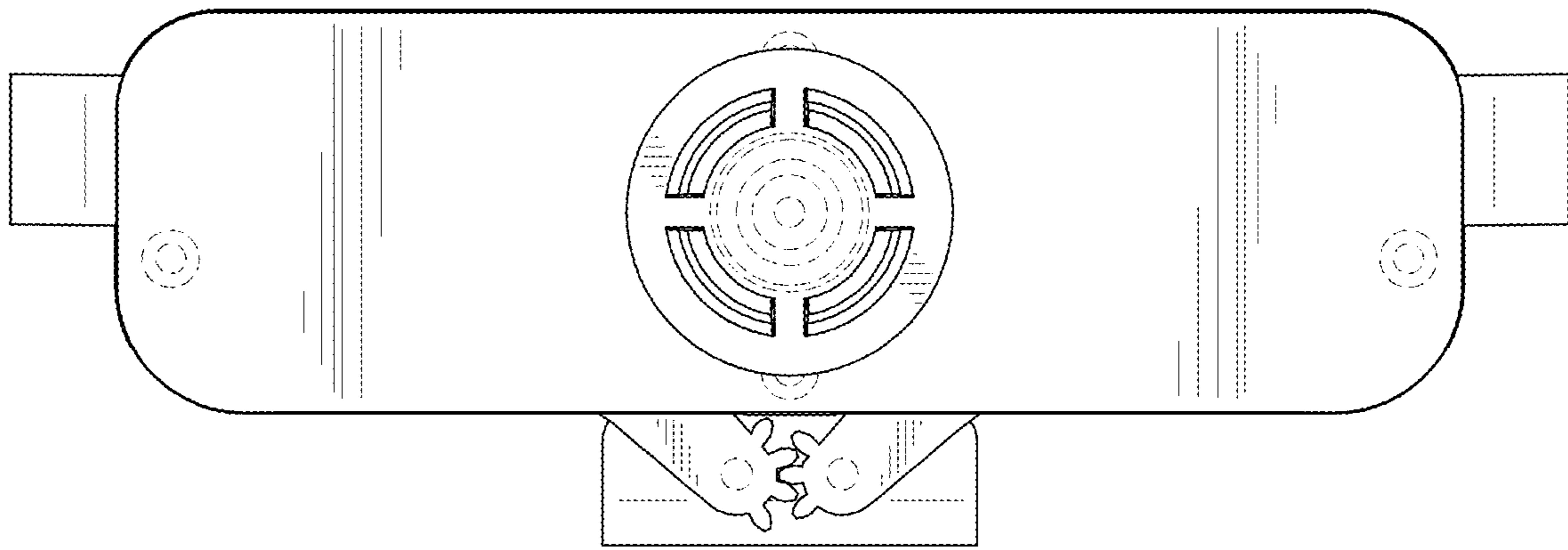


FIG. 3

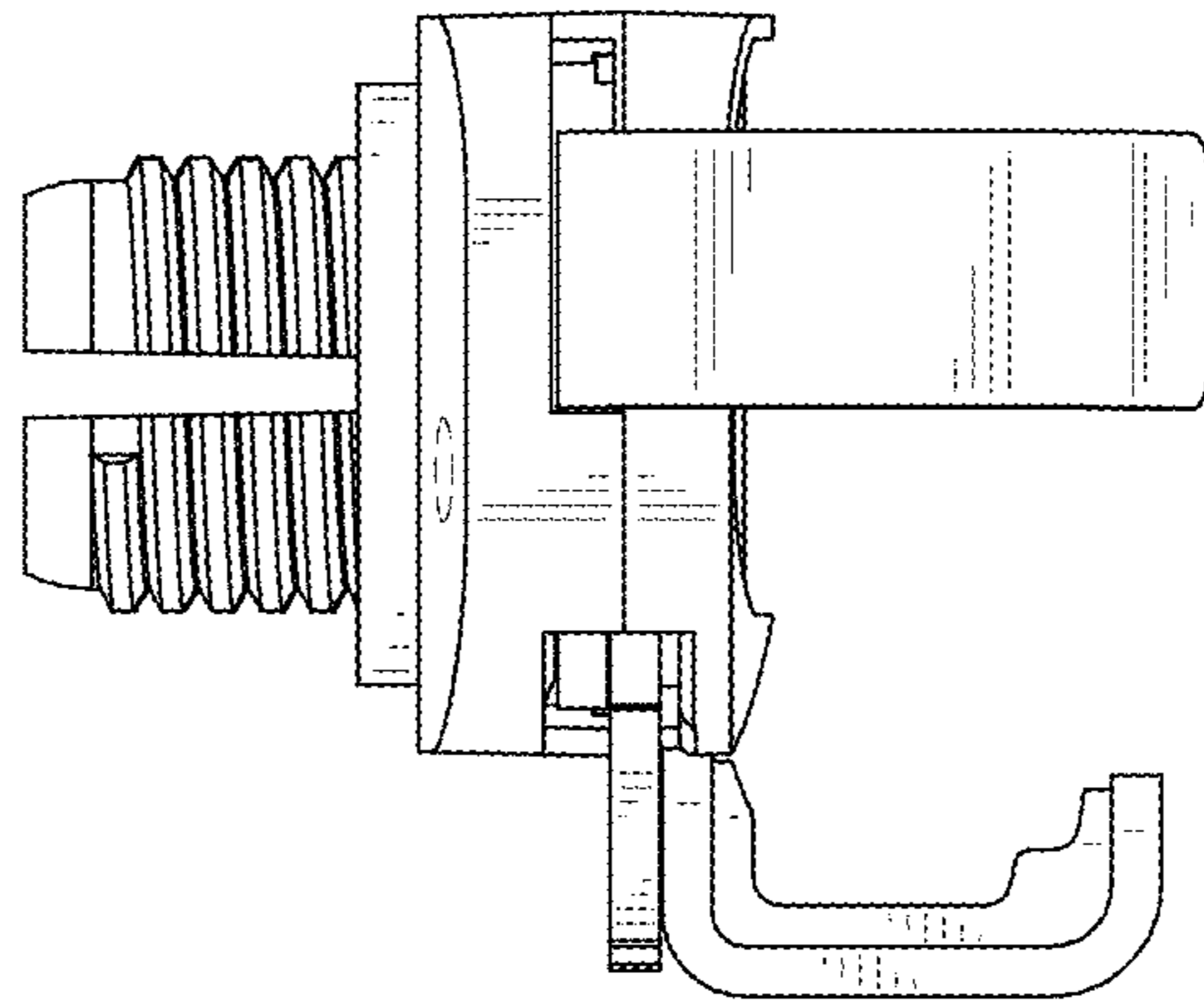


FIG. 4

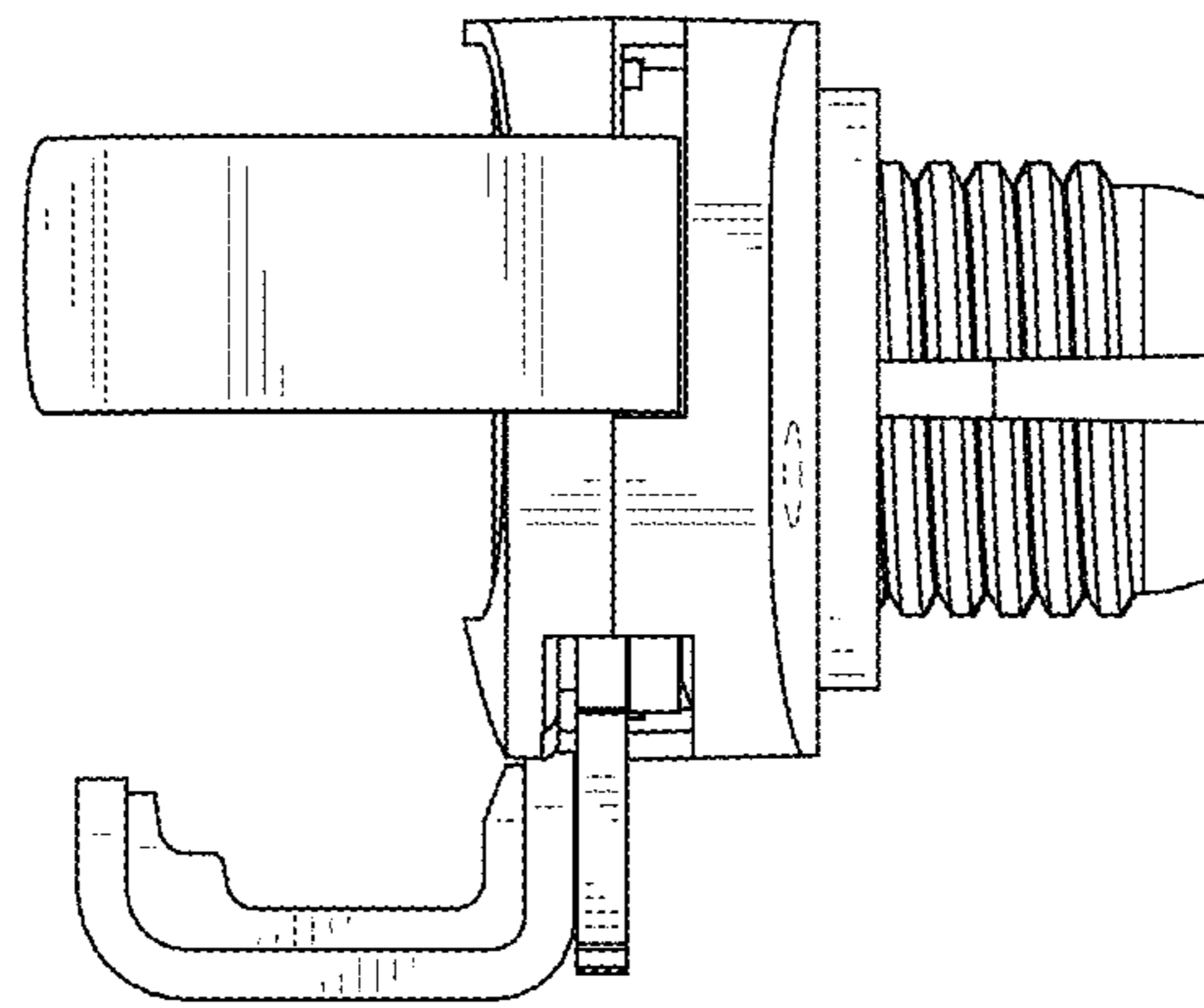


FIG. 5

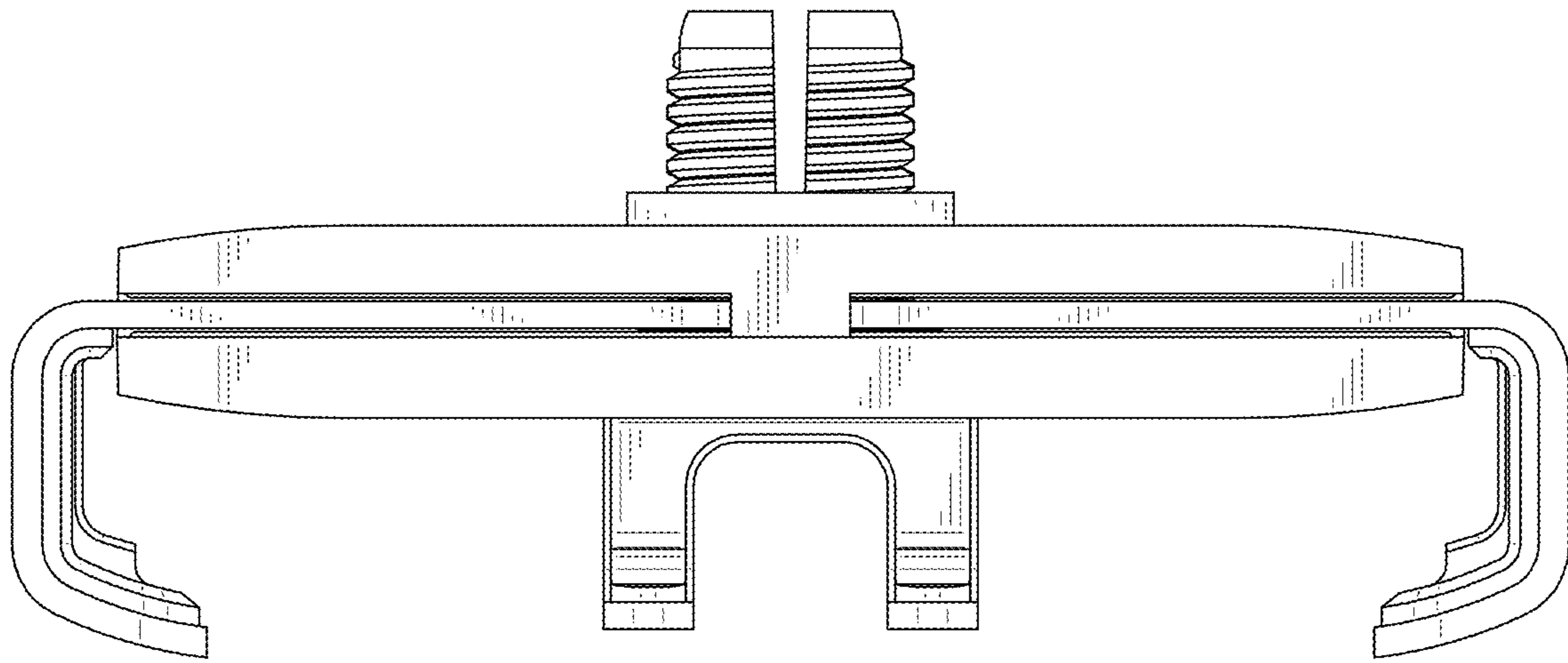


FIG. 6

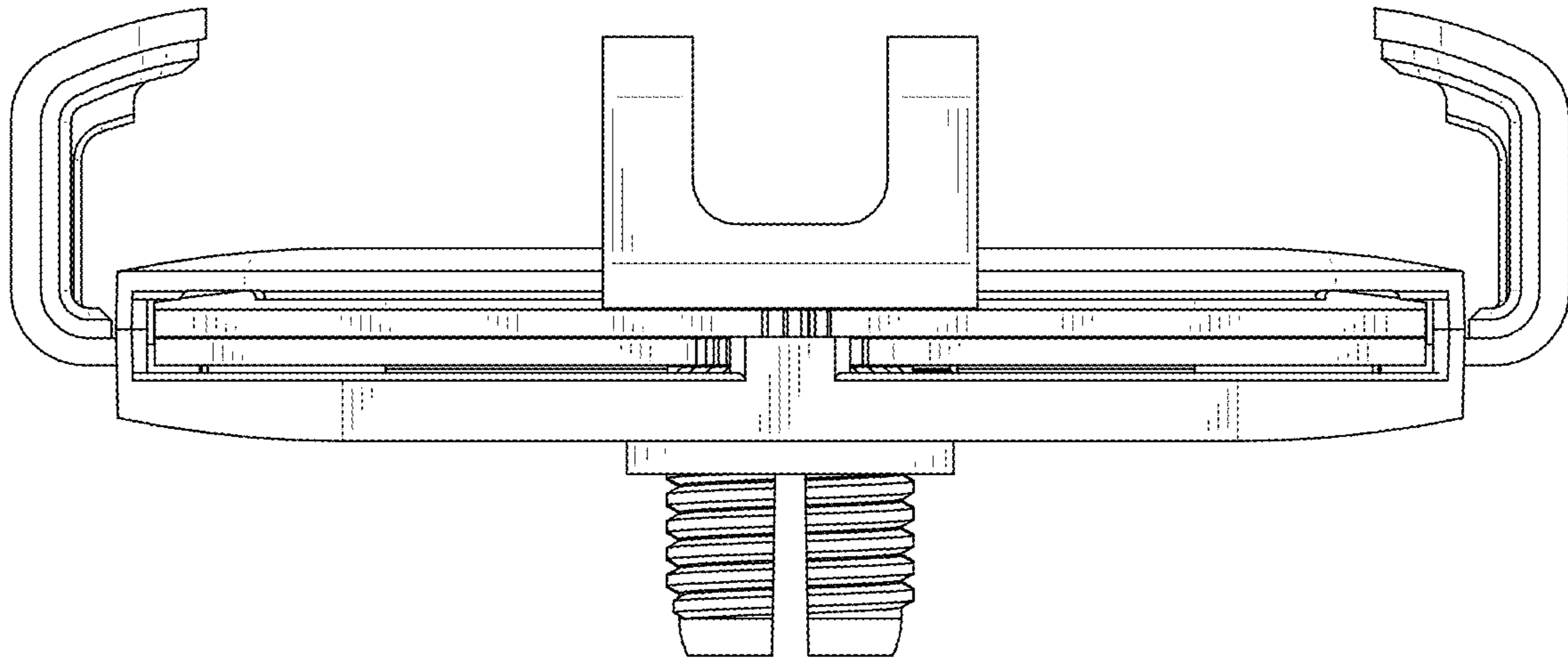


FIG. 7