



US00D909360S

(12) **United States Design Patent** (10) **Patent No.:** **US D909,360 S**
Ahn (45) **Date of Patent:** **** Feb. 2, 2021**

(54) **CASE FOR ELECTRONIC COMMUNICATIONS DEVICE**

(71) Applicant: **SPIGEN KOREA CO., LTD.**, Seoul (KR)

(72) Inventor: **Deok Hyun Ahn**, Seoul (KR)

(73) Assignee: **SPIGEN KOREA CO., LTD.**, Seoul (KR)

(**) Term: **15 Years**

(21) Appl. No.: **29/700,604**

(22) Filed: **Aug. 2, 2019**

(51) **LOC (13) Cl.** **14-03**

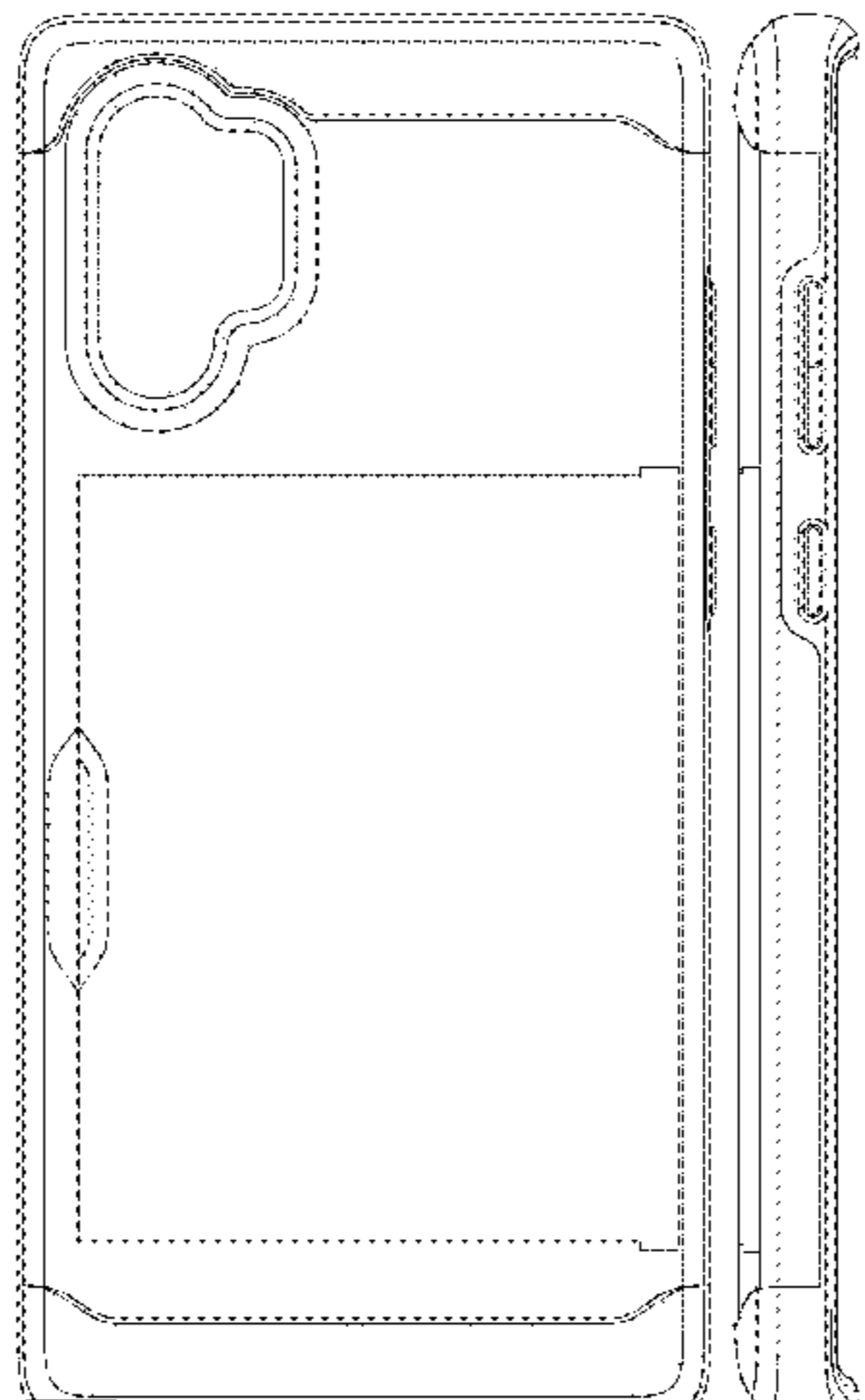
(52) **U.S. Cl.**
 USPC **D14/250**

(58) **Field of Classification Search**
 USPC D14/440, 203.3–203.7, 439, 238.1, D14/251–253, 447, 217, 240, 248, 250; D3/201, 218, 247, 269, 273, 301, 303; D13/103, 119, 107–108
 CPC H04B 1/3888; H04M 1/0283; H04M 1/0202; A45C 1/06; A45C 11/00; A45C 13/02; A45C 2011/002; A45F 2005/026; A45F 2200/0525; A45F 2200/0516
 See application file for complete search history.

8,726,952 B2	5/2014	Jambunathan et al.
D707,965 S	7/2014	Requa
D712,891 S	9/2014	Fathollahi
D716,045 S	10/2014	Requa
D721,689 S *	1/2015	Altschul H04B 1/3888 D14/250
D725,643 S	3/2015	Lee et al.
8,971,975 B2	3/2015	Ramies et al.
9,049,283 B1	6/2015	Kim
D741,845 S	10/2015	Kim
D743,931 S	11/2015	Hubbard et al.
D746,805 S	1/2016	Kim
9,241,551 B2	1/2016	Lawson et al.
D749,068 S	2/2016	Zaborski et al.
D749,557 S	2/2016	Feng
D753,099 S	4/2016	Kim
D756,343 S	5/2016	Wall et al.
D756,911 S	5/2016	Gupta et al.
D759,004 S *	6/2016	Stevinson D14/250
D759,966 S	6/2016	Pignotti
D763,842 S	8/2016	Chang et al.
D765,069 S	8/2016	Jeffrey
D765,635 S	9/2016	Chang et al.
D765,638 S	9/2016	Gaylord et al.
D765,640 S	9/2016	Bulkley et al.
D765,641 S	9/2016	Bulkley et al.
D771,607 S	11/2016	Kim
D771,608 S	11/2016	Kim et al.
D772,209 S	11/2016	Kim et al.
D775,620 S	1/2017	Kim
D776,646 S	1/2017	Deng
D776,648 S	1/2017	Kim
D780,163 S	2/2017	Fathollahi
D780,164 S	2/2017	Lee
D781,835 S	3/2017	Kim et al.
D786,233 S	5/2017	Kim
D788,093 S	5/2017	Lee et al.
9,661,116 B1 *	5/2017	Chung A45C 11/00
D788,760 S	6/2017	Kim
D789,343 S	6/2017	Hawes et al.
D791,116 S	7/2017	Kim
D796,497 S	9/2017	Kim
D797,092 S	9/2017	To et al.
D797,093 S	9/2017	To et al.
D798,286 S	9/2017	Roberts et al.
D800,713 S *	10/2017	Kim D14/250
D800,714 S	10/2017	Lee et al.
D801,323 S	10/2017	Kim
D802,574 S	11/2017	Kim
D807,338 S	1/2018	Kim
D808,944 S	1/2018	Kim
D813,856 S *	3/2018	Daubmeier D14/250
D819,013 S	5/2018	Kim et al.

(56) **References Cited**
 U.S. PATENT DOCUMENTS

D619,361 S	7/2010	Andre et al.
D624,064 S *	9/2010	Esposito D14/250
D631,246 S *	1/2011	Boettner D3/203.2
D646,265 S	10/2011	Fathollahi
D650,371 S	12/2011	Wibby et al.
D663,263 S	7/2012	Gupta et al.
D681,615 S	5/2013	Fathollahi
D682,196 S	5/2013	Leung
D688,654 S *	8/2013	Stevinson D14/250
8,504,127 B2	8/2013	Altschul et al.
8,517,172 B1	8/2013	Chang
D703,651 S *	4/2014	Ehrlich D14/250
D705,764 S *	5/2014	Thoni D14/250



D820,819	S	6/2018	Kim		
D824,892	S *	8/2018	Altschul	D14/250
D827,629	S	9/2018	Yu		
D828,346	S *	9/2018	Kim	D14/250
D830,352	S	10/2018	Chung		
D832,833	S	11/2018	Kim		
D833,426	S *	11/2018	Yun	D14/250
D834,010	S *	11/2018	Kim	D14/250
D836,096	S *	12/2018	Altschul	D14/250
D837,774	S *	1/2019	Koo	D14/250
D849,733	S *	5/2019	Yun	D14/250
D849,738	S *	5/2019	Yun	D14/250
D850,434	S *	6/2019	Yun	D14/250
D850,435	S *	6/2019	Yun	D14/250
2015/0141082	A1 *	5/2015	Ehrlich	H04B 1/3888 455/575.1
2015/0244407	A1 *	8/2015	Peral	H04B 1/3888 455/575.8
2015/0365122	A1 *	12/2015	Kim	H04M 1/21 455/575.8
2016/0173160	A1 *	6/2016	Gronewoller	H04M 1/185 455/575.8
2016/0269516	A1 *	9/2016	Kim	H04M 1/04
2017/0086557	A1 *	3/2017	Choi	A45C 15/00

OTHER PUBLICATIONS

“Spigen Slim Armor CS Galaxy S7 Case with Slim Dual Layer Wallet Design and Card Slot Holder for Samsung Galaxy S7 2016—Gunmetal”, <https://www.amazon.com/dp/B01AUR1HF4>, Earliest review date of Mar. 12, 2016.

“Spigen Slim Armor CS Galaxy S7 Edge Case with Slim Dual Layer Wallet Design and Card Slot Holder for Galaxy S7 Edge 2016—Gunmetal”, <https://www.amazon.com/dp/B01CTRI5VM>, Earliest review date of Apr. 22, 2016.

“iPhone 7 Plus Case, Spigen® [Slim Armor CS] Card Holder [Gunmetal] Slim Fit Dual Layer Protective with Card Slot Holder Wallet Case for iPhone 7 Plus (2016)—(043CS20526)”, <https://www.amazon.co.uk/dp/B01G1WFLO6>, Date first available at Amazon.co.uk of Aug. 2, 2016, Downloaded on Aug. 23, 2018.

“VRS Design Damda Glide Samsung Galaxy Note 7 Case—Blue Coral”, <https://www.mobilefun.com/vrs-design-lamda-glide-samsung-galaxy-note-7-case-blue-coral-60422>, Earliest review date of Sep. 9, 2016.

“Galaxy S7 Edge Case Damda Glide Series”, <https://vrsdesign.com/products/damda-glide-series-galaxy-s7-edge-case>, Earliest review posted on 2016, Downloaded on Dec. 17, 2018.

“Galaxy S7 Case, VRS Design [Damda Glide Series] Semi Automatic Card Slot with Military Grade Protection (Satin Silver)”, <https://www.amazon.com/dp/B01LWRTPWR>, Earliest review date of Nov. 8, 2016.

“iPhone 6 Plus/6s Plus Case Damda Glide Series”, <https://vrsdesign.com/products/iphone-6-plus-6s-plus-damda-glide-series>, Earliest review posted on 2016, Downloaded on Dec. 18, 2018.

“iPhone 7 Plus 18 Plus Case, VRS Design [Damda Glide Series] Semi Automatic Card Slot with Military Grade Protection (Steel Silver)”, <https://www.amazon.com/DP/B01LYOIWRH>, Earliest review date of Oct. 18, 2016.

“VRS Design [Damda Glide Series] Semi Automatic Card Slot Shockproof Case Compatible with Apple iPhone 7 / 8—(Steel Silver)”, <https://www.amazon.com/dp/B01LXD3F6L>, Earliest review date of Oct. 11, 2016.

“iPhone 6/6s Case Damda Glide Series”, <https://vrsdesign.com/products/damda-glide-series-2>, Earliest review posted Dn 2016, Downloaded on Dec. 17, 2018.

“VRS Design unveils semi-automatic Damda Glide cases for the Samsung Galaxy Note 7”, <https://www.pmevswire.com/news-releases/vrs-design-unveils-semi-automatic-damda-glide-cases-for-the-samsung-galaxy-note-7-300299529.html>, Published on Jul. 18, 2016.

“Galaxy Note 7 Case Preview from VRS Design: Damda Glide Case!”, <https://www.youtube.com/watch?i=3aoPDXLbrRk>, Published on Aug. 1, 2016.

“iPhone 6 Case, Verus [Damda Slide][Dark Silver]-[Wallet Card Slot][Heavy Duty Protection] for Apple iPhone 6 4.7”, <https://www.amazon.com/dp/B01E02PE10>, Earliest review date of May 24, 2016.

“Galaxy Note 4 Case, Verus [Damda Slide][Dark Silver]-[Wallet Card Slot][Heavy Duty Protection] for Samsung Note 4”, <https://www.amazon.com/dp/BOOMJEfILOG>, Earliest review date of Oct. 18, 2014.

“Galaxy Note 5 Case, Verus [Damda Slide][Dark Silver]-[Wallet Card Slot][Heavy Duty Protection] for Samsung Note 5”, <https://www.amazon.com/dp/B00VN6E8KS>, Earliest review date of Aug. 24, 2015.

“Galaxy S6 Edge Case, Verus [Damda Slide][Dark Saved-[Wallet Card Slot][Heavy Duty Protection] for Samsung galaxy s6 edge”, <https://www.amazon.com/dp/Boouomdtem>, Earliest review date of Apr. 2, 2015.

“Galaxy S6 Edge Plus Case, Verus [Damda Slide][Dark Silver]-[Wallet Card Slot][Heavy Duty Protection] for Samsung galaxy s6 plus”, <https://www.amazon.com/dp/B013F8CLK0>, Earliest review date of Aug. 29, 2015.

“iPhone 6 Plus Case, Verus [Damda Slide][Dark Silver]-[Wallet Card Slot][Heavy Duty] for Apple iPhone 6 Plus 5.5”, <https://www.amazon.com/dp/B01E02P5H2>, Earliest review date of May 26, 2016.

“iPhone 6S Case, Verus [Damda Slide][Dark Silver]-[Wallet Card Slot][Heavy Duty Protection] for Apple iPhone 6 6s 1.7”, <https://www.amazon.com/dp/B00M9UBQ2A>, Earliest review date of Sep. 16, 2014.

“iPhone 6S Plus Case, Verus [Damda Slide][Dark Silver]-[Wallet Card Slot][Heavy Duty] for Apple iPhone 6 6s Plus 5.5”, <https://www.amazon.com/dp/B00NHZZ1ZY>, Earliest review date of Oct. 5, 2014.

“Spigen Slim Armor CS iPhone 6 Case with Slim Dual Layer Wallet Design and Card Slot Holder for iPhone 6S / iPhone 6—CS Gunmetal”, <https://www.amazon.com/Spigen-iPhone-Wallet-Design-Holder/dp/B00JH88JDQ>, Earliest review date of Sep. 10, 2014, Downloaded on Jan. 16, 2019.

“Spigen Slim Armor CS iPhone 7 Case/iPhone 8 Case with Slim Dual Layer Wallet Design and Card Slot Holder for Apple iPhone 7 (2016) / iPhone 8 (2017)—Gunmetal”, <https://www.amazon.com/dp/B01GIVWS2C>, Earliest review date of Aug. 29, 2016, Downloaded on Sep. 5, 2018.

“Spigen Slim Armor CS iPhone 8 Plus Case/iPhone 7 Plus Case with Slim Dual Layer Wallet Design and Card Slot Holder for Apple iPhone 8 Plus 2017 / iPhone 7 Plus (2016)—Black”, <https://www.amazon.com/dp/B01GIWFVWK>, Earliest review date of Sep. 9, 2016, Downloaded on Sep. 5, 2018.

“Spigen Crystal Wallet iPhone 7/iPhone 8 Case with Slim Dual Layer Wallet Design and Card Slot Holder for Apple iPhone 7 (2016) / iPhone 8 (2017)—Jet White”, <https://www.amazon.com/dp/B01N3NIBON>, Earliest review date of Mar. 30, 2017, Downloaded on Sep. 5, 2018.

“Spigen Slim Armor CS Galaxy S8 Plus Case with Slim Dual Layer Wallet Design and Card Slot Holder for Galaxy S8 Plus (2017)—Rose Gold”, <https://www.amazon.com/Spigen-Galaxy-Wallet-Design-Holder/dp/B06XNW4YD8>, Earliest review date of Apr. 3, 2017, Downloaded on Jan. 16, 2019.

“Spigen Slim Armor CS Galaxy S8 Case with Slim Dual Layer Wallet Design and Card Slot Holder for Samsung Galaxy S8 (2017)—Gunmetal”, <https://www.amazon.com/Spigen-Galaxy-Wallet-Design-Samsung/dp/B06XP51T59>, Earliest review date of Apr. 7, 2017, Downloaded on Sep. 5, 2018.

“Spigen Slim Armor CS Galaxy Note 8 Case with Slim Dual Layer Wallet Design and Card Slot Holder for Galaxy Note 3 (2017)—Black”, <https://www.amazon.com/Spigen-Galaxy-Wallet-Design-Holder/dp/B073RWKCQ8>, Earliest review late of Sep. 1, 2017, Downloaded on Sep. 5, 2018.

“Spigen Slim Armor CS Designed for Apple iPhone Xs Case (2018) / Designed for Apple iPhone X Case (2017) Black”, <https://www.amazon.com/Spigen-Armor-Designed-Apple-iPhone/dp/B074CNGG4N>, Earliest review date of Sep. 25, 2017, Downloaded on Jan. 16, 2019.

“Spigen Slim Armor CS Google Pixel 2 Case with Slim Dual Layer Wallet Design and Card Slot Holder for Google Pixel 2 (2017)—Black”, <https://www.amazon.com/Spigen-Google-Wallet-Design-Holder/dp/B07474KKY2>, Earliest review late of Nov. 24, 2017, Downloaded on Jan. 16, 2019.

“Spigen Slim Armor CS Google Pixel 2 XL Case with Slim Dual Layer Wallet Design and Card Slot Holder for Google Pixel 2 XL (2017)—Black”, <https://www.amazon.com/Spigen-Google-Wallet-Design-Holder/dp/B07473W4ZK>, Earliest review date of Nov. 25, 2017, Downloaded on Jan. 16, 2019.

“Spigen Slim Armor CS Galaxy S9 Plus Case with Slim Dual Layer Wallet Design and Card Slot Holder for Samsung Galaxy S9 Plus (2018)—Gunmetal”, <https://www.amazon.com/Spigen-Galaxy-Wallet-Design-Samsung/dp/B0789SXD7W>, Earliest review date of Mar. 6, 2018, Downloaded on Jan. 16, 2019.

“Spigen Slim Armor CS [Updated Version] Galaxy S9 Case with Slim Dual Layer Wallet Design and Card Slot Holder for Samsung Galaxy S9 (2018)—Gunmetal”, <https://www.amazon.com/Spigen-Updated-Version-Galaxy-Samsung/dp/B07BZHN92K>, Earliest review date of May 18, 2018, Downloaded on Jan. 16, 2019.

“Spigen Slim Armor CS Series Dual Layer Hard Case for Galaxy S6—White/Black”, <https://www.amazon.com/Spigen-Slim-Armor-Layer-Galaxy/dp/B07BCK59YV>, Earliest review date of May 25, 2018, Downloaded on Jan. 16, 2019.

* cited by examiner

Primary Examiner — Carla J Wright

(74) *Attorney, Agent, or Firm* — Heedong Chae; Lucem, PC

(57) **CLAIM**

The ornamental design for a case for electronic communications device, as shown and described.

DESCRIPTION

FIG. 1 is a front perspective view of the case for electronic communications device showing my new design;

FIG. 2 is a rear perspective view thereof;

FIG. 3 is a front elevational view thereof;

FIG. 4 is a rear elevational view thereof;

FIG. 5 is a left side elevational view thereof;

FIG. 6 is a right side elevational view thereof;

FIG. 7 is a top plan view thereof;

FIG. 8 is a bottom plan view thereof;

FIG. 9 is a rear perspective view thereof showing the rear compartment cover component of the case in an open position;

FIG. 10 is a front perspective view of the inner shell component of the case shown separately for clarity of disclosure;

FIG. 11 is a rear perspective view of the inner shell component of the case shown separately for clarity of disclosure;

FIG. 12 is a front perspective view of the outer frame component of the case shown separately for clarity of disclosure;

FIG. 13 is a rear perspective view of the outer frame component of the case shown separately for clarity of disclosure;

FIG. 14 is a front perspective view showing the rear compartment cover component of the case in isolation for clarity of disclosure;

FIG. 15 is a rear perspective view showing the rear compartment cover component of the case in isolation for clarity of disclosure;

FIG. 16 is an exploded front perspective view showing the components of the case separated for clarity of disclosure; and,

FIG. 17 is an exploded rear perspective view showing the components of the case separated for clarity of disclosure.

For clarity of disclosure, the components of the case for electronic communications device are shown in isolation in FIGS. 10-15 and separated in FIGS. 16-17. Although the case for electronic communications device, in which the claimed design is embodied, has an inner shell component, outer frame component, and rear compartment cover component, the claim is directed to the overall ornamental appearance of the case in its entirety and does not extend to the ornamental appearance of each of the individual components.

1 Claim, 17 Drawing Sheets

FIG. 1

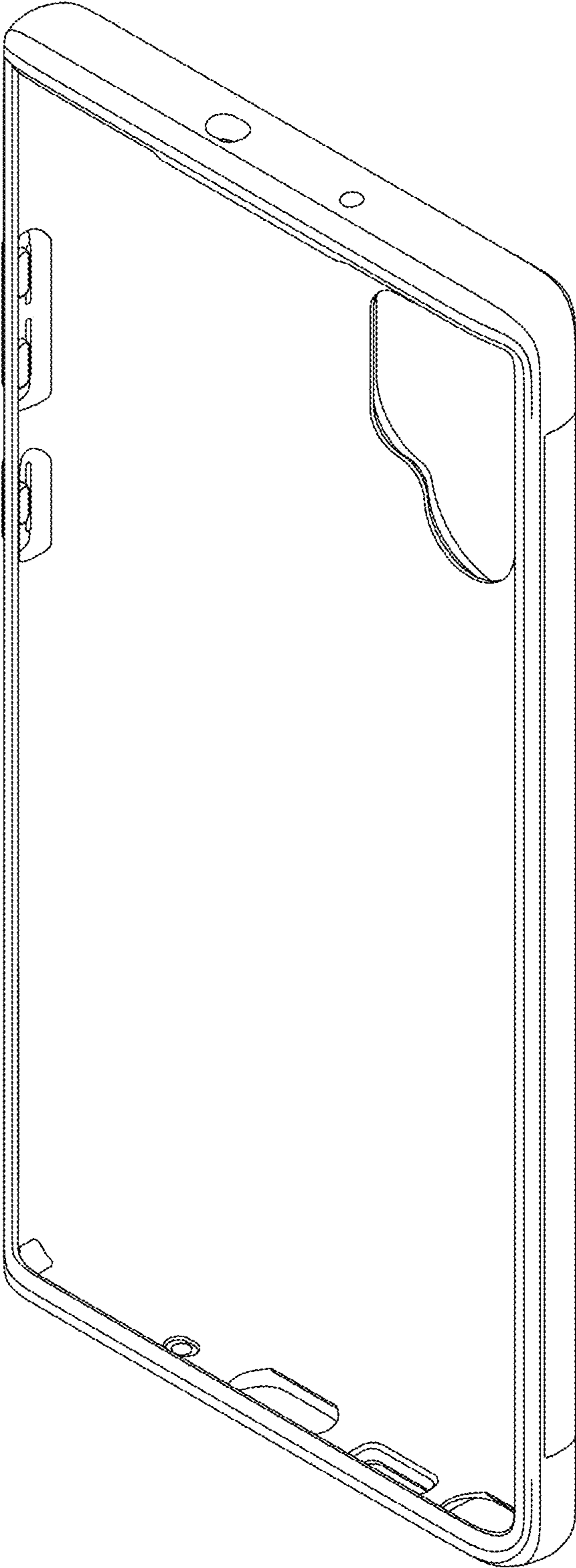


FIG. 2

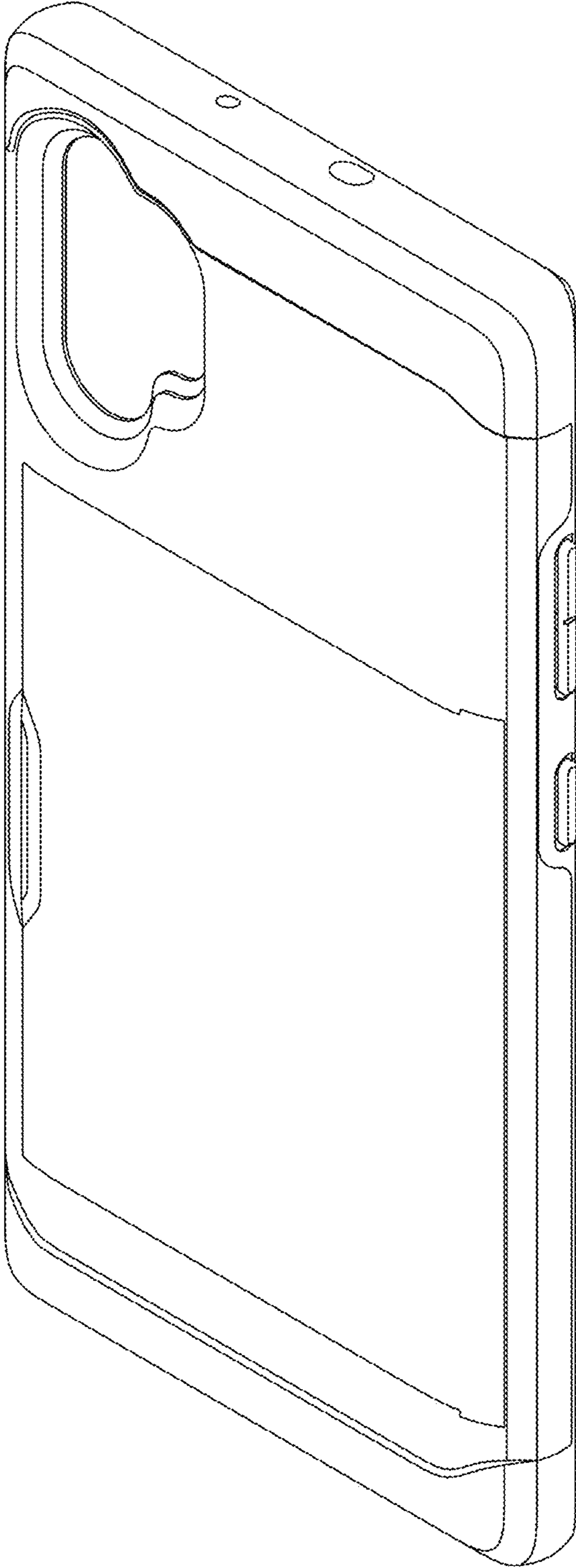


FIG. 3

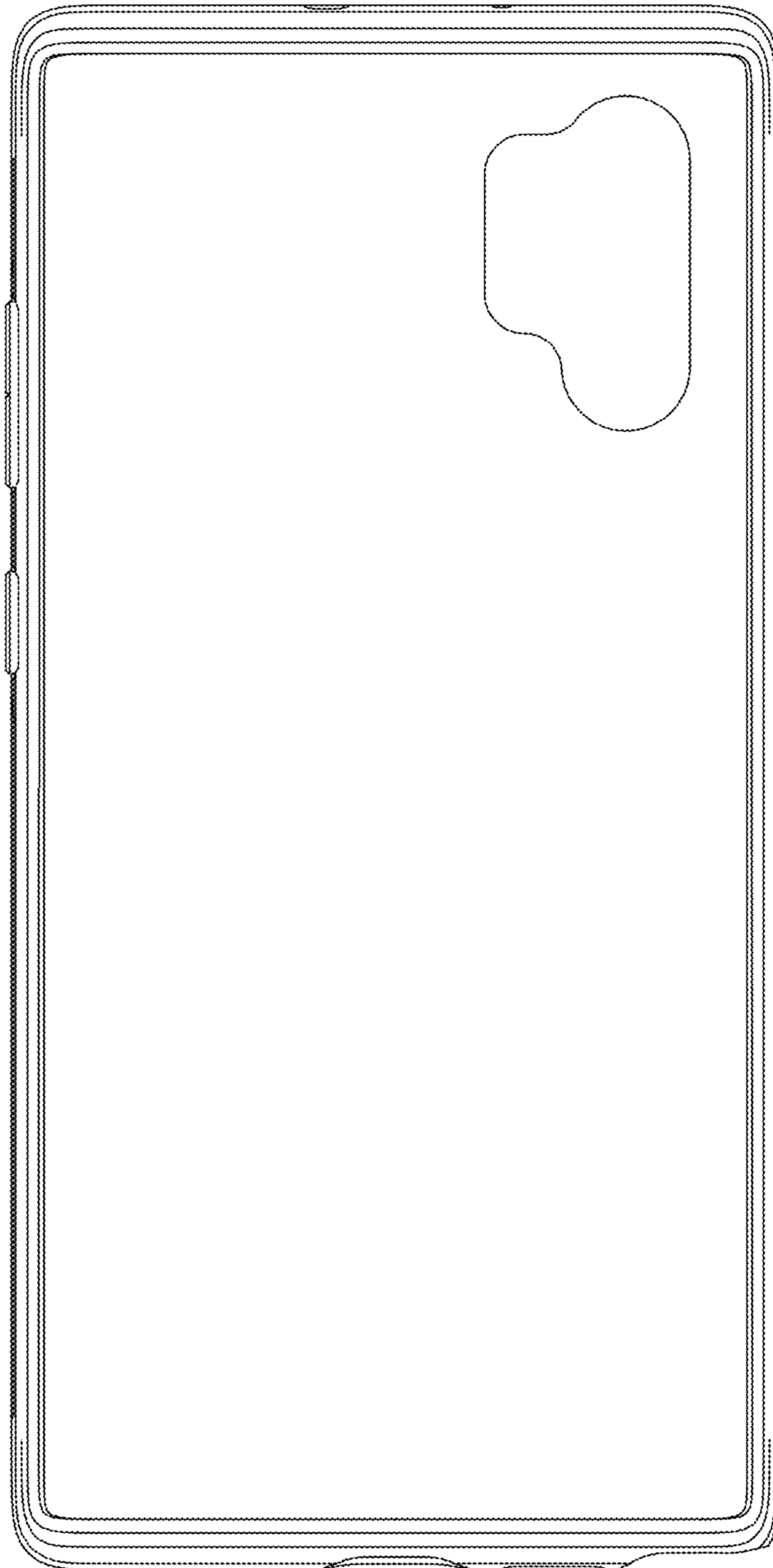


FIG. 4

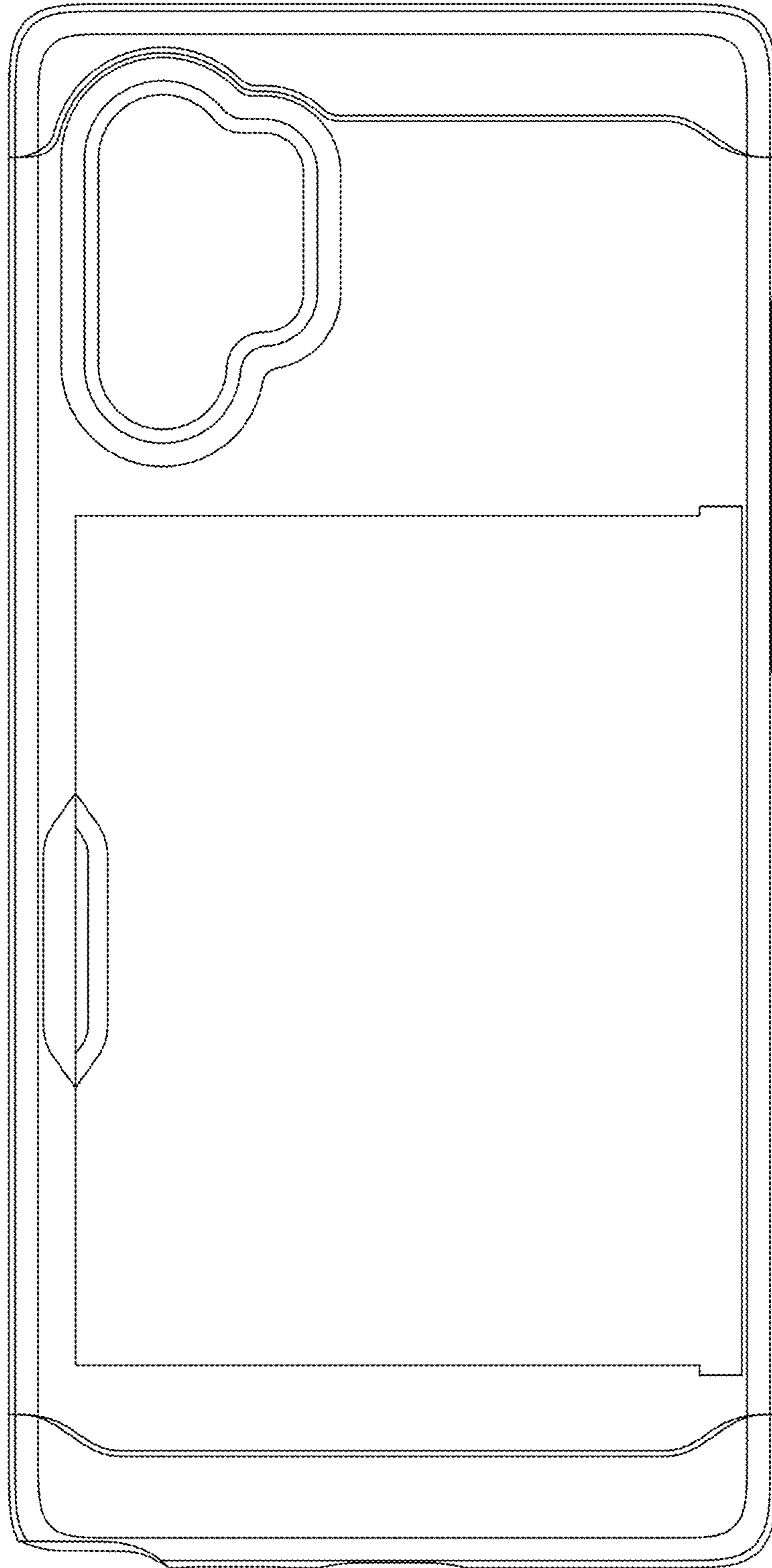


FIG. 5

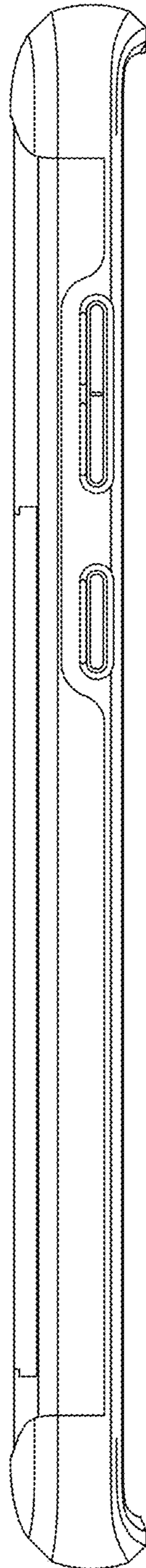


FIG. 6

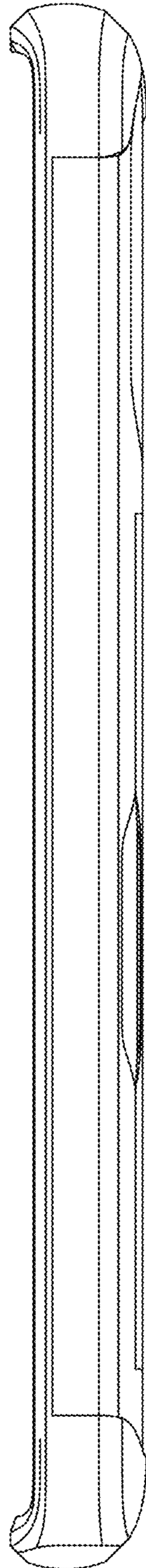


FIG. 7

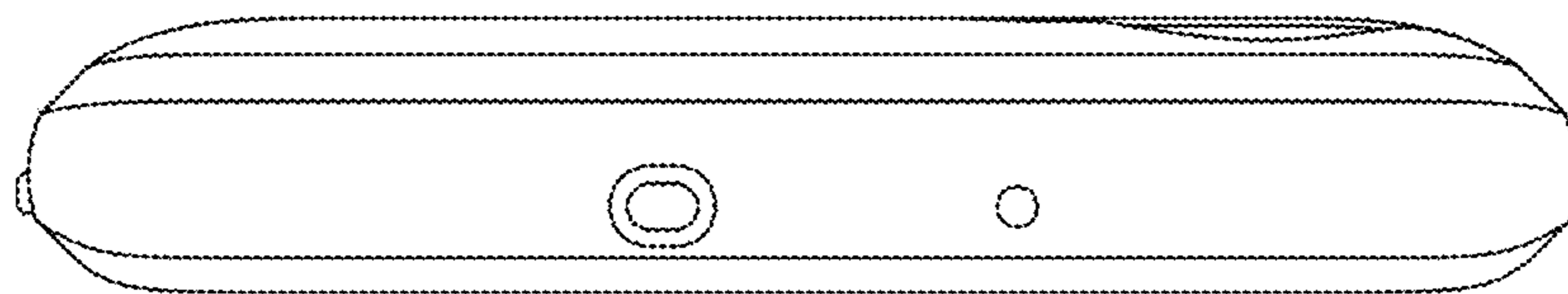


FIG. 8

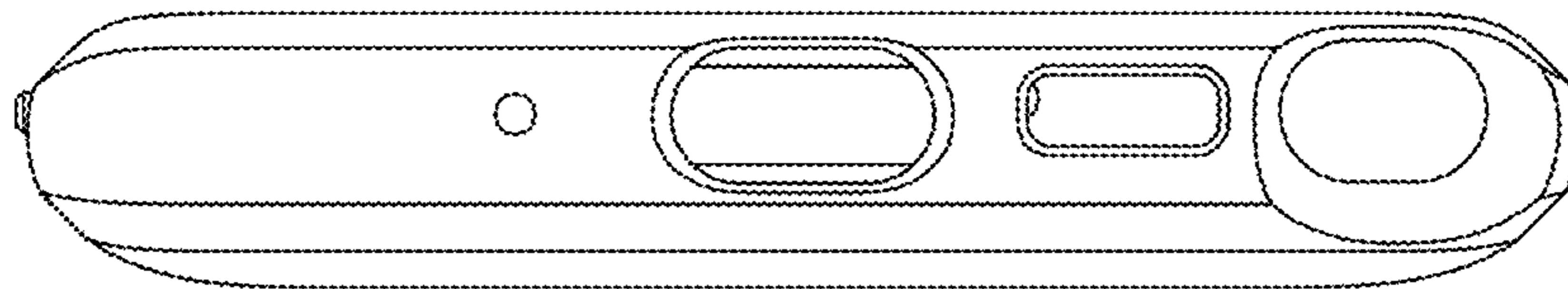


FIG. 9

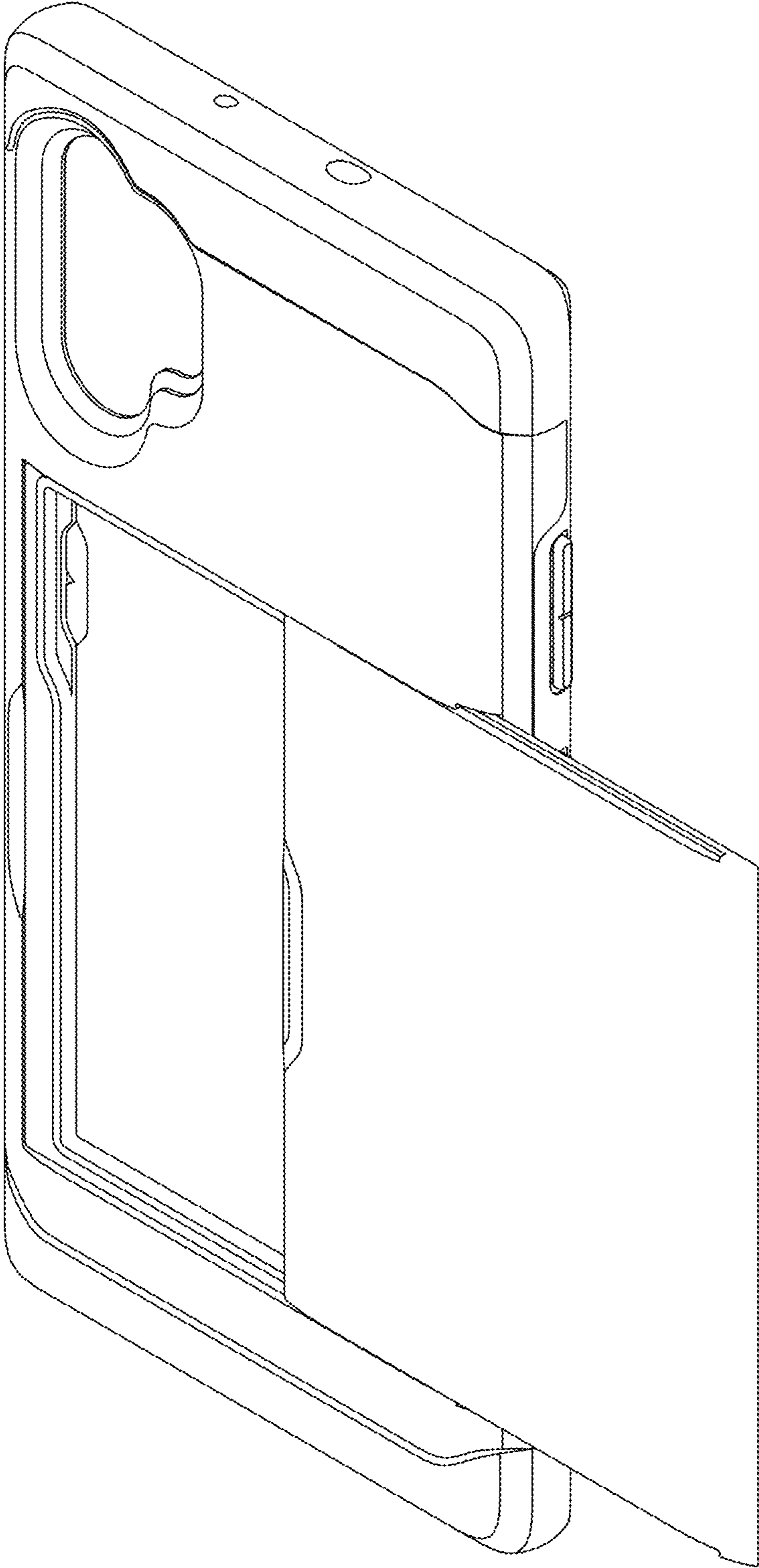


FIG. 10

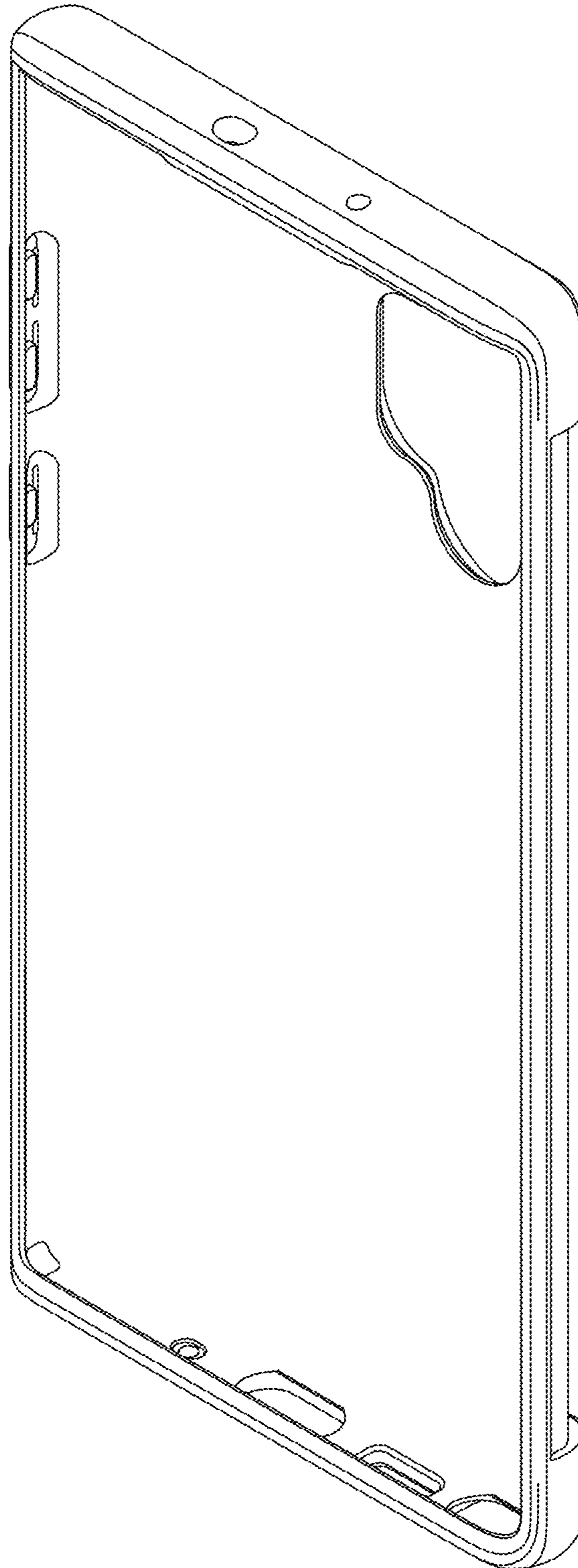


FIG. 11

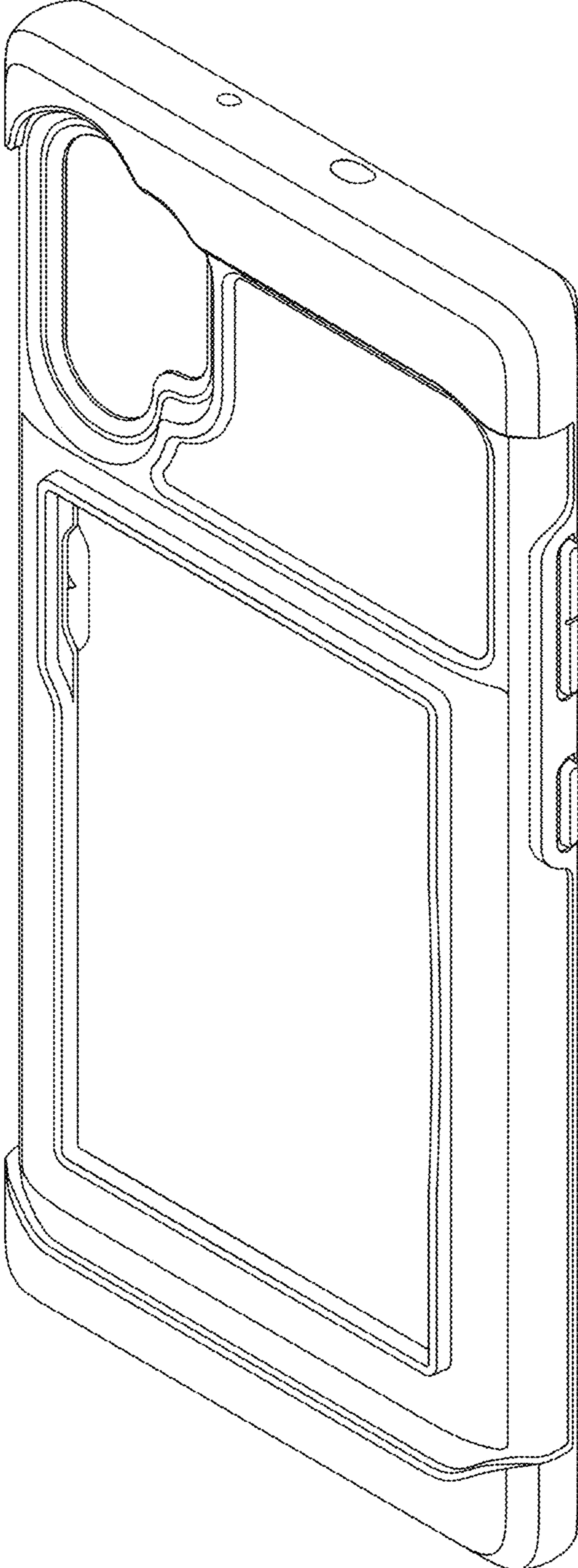


FIG. 12

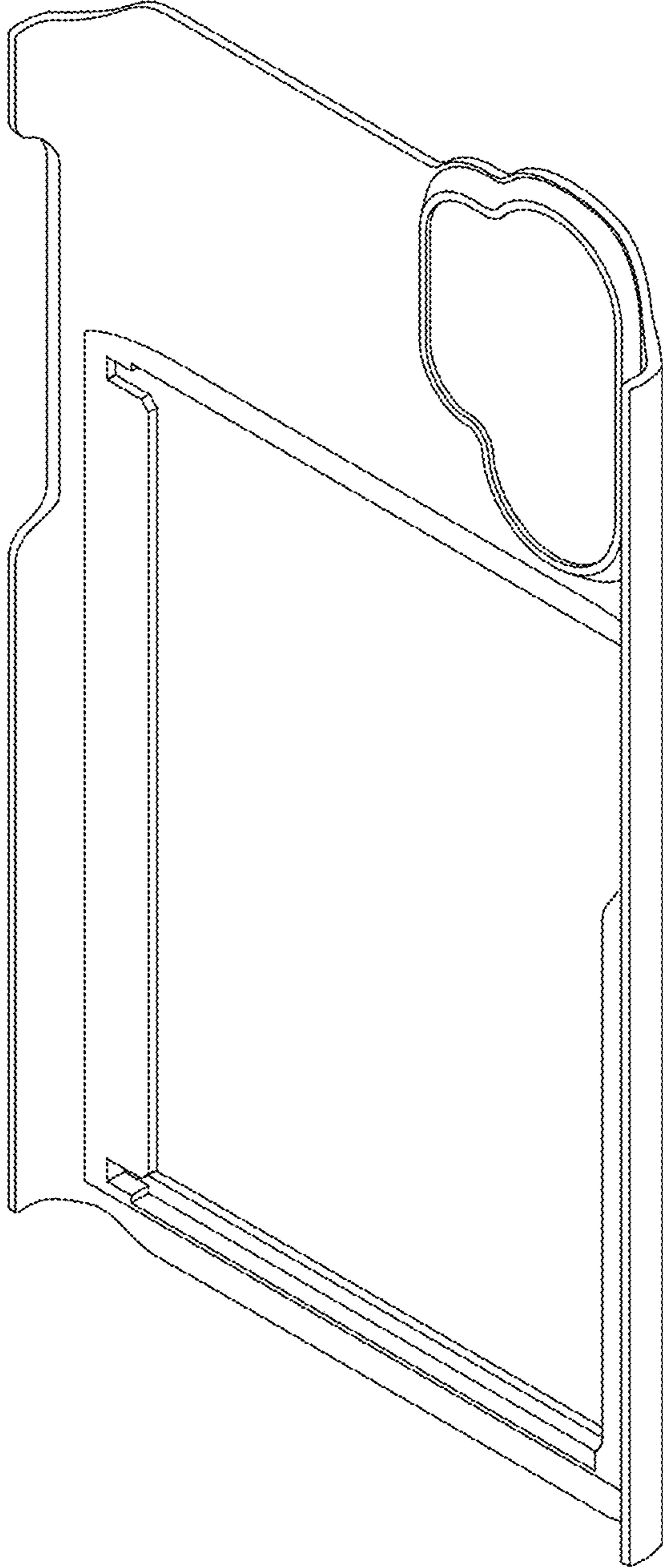


FIG. 13

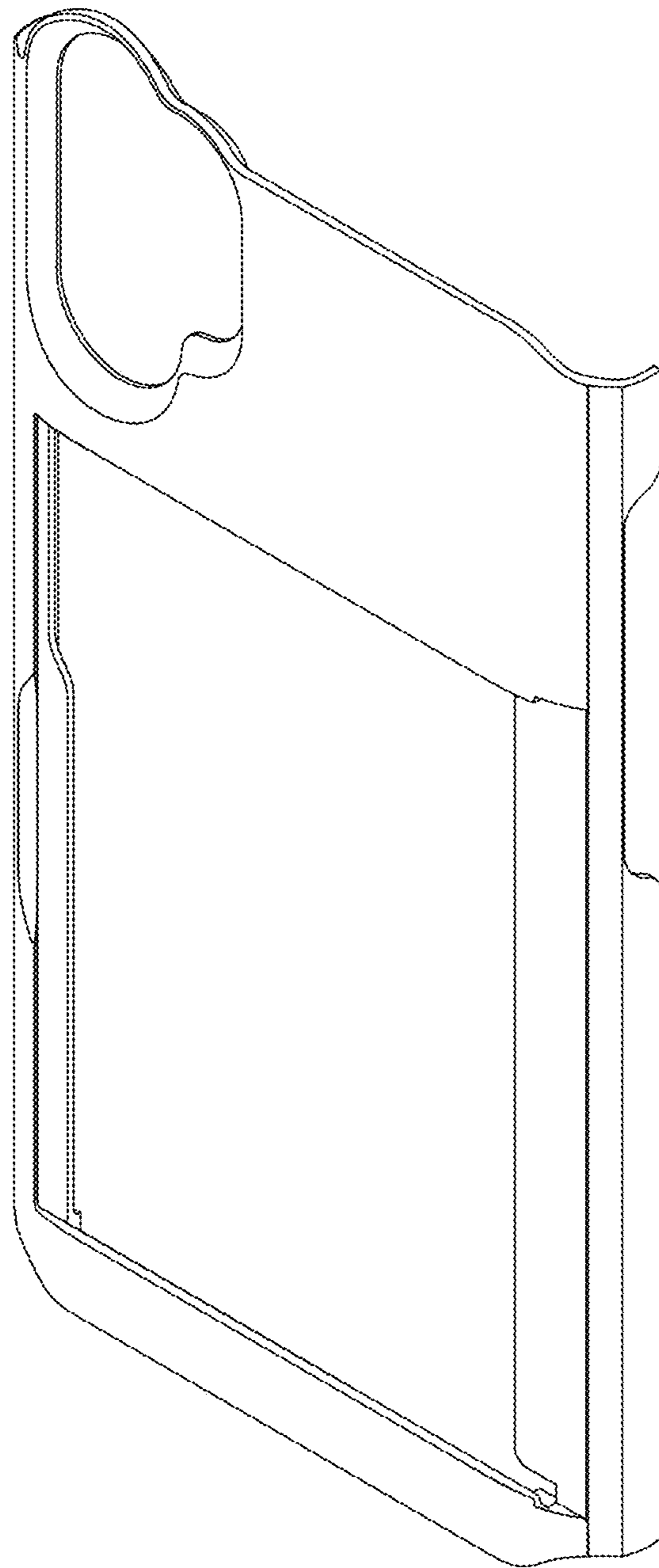


FIG. 14

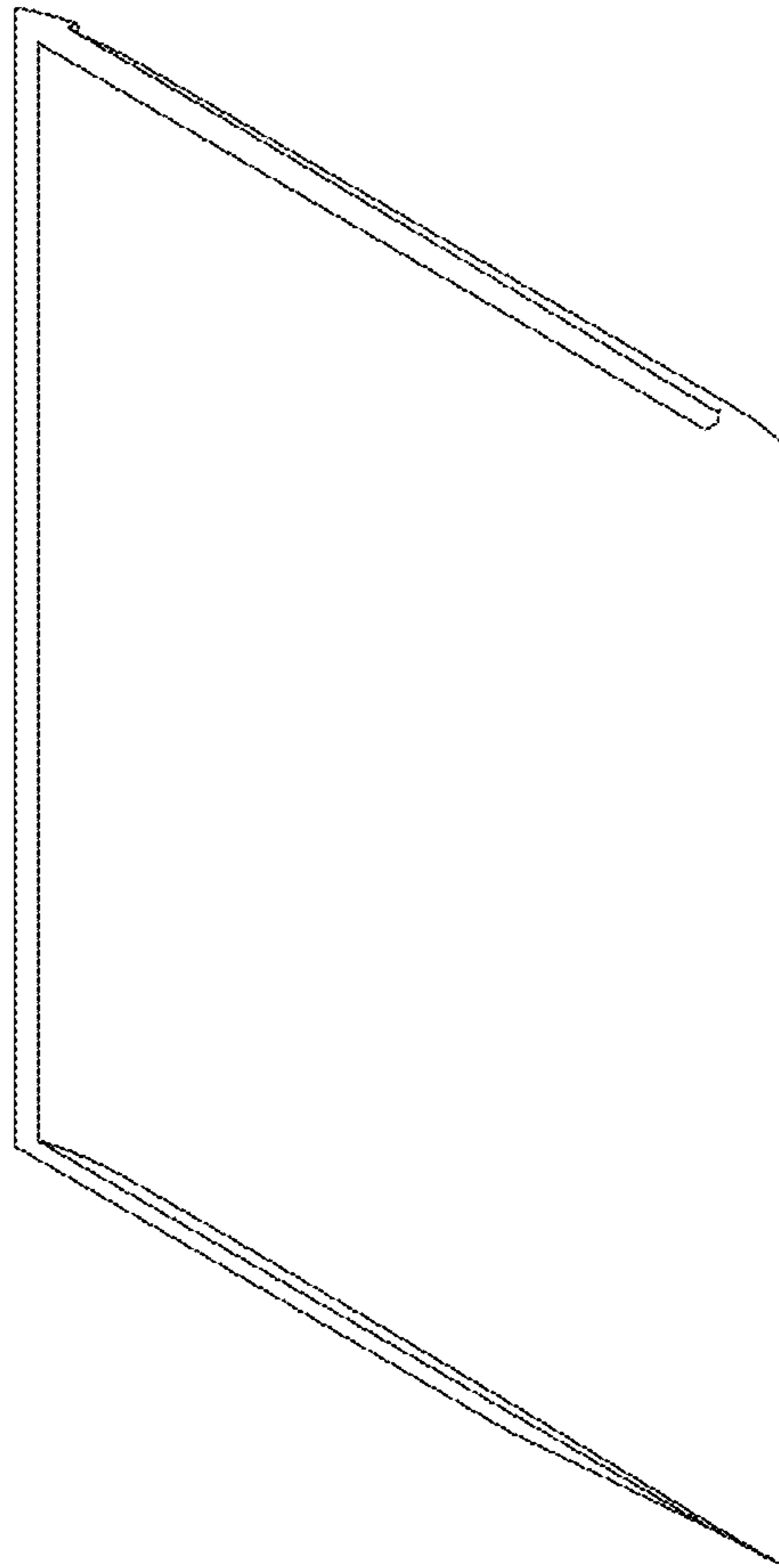


FIG. 15

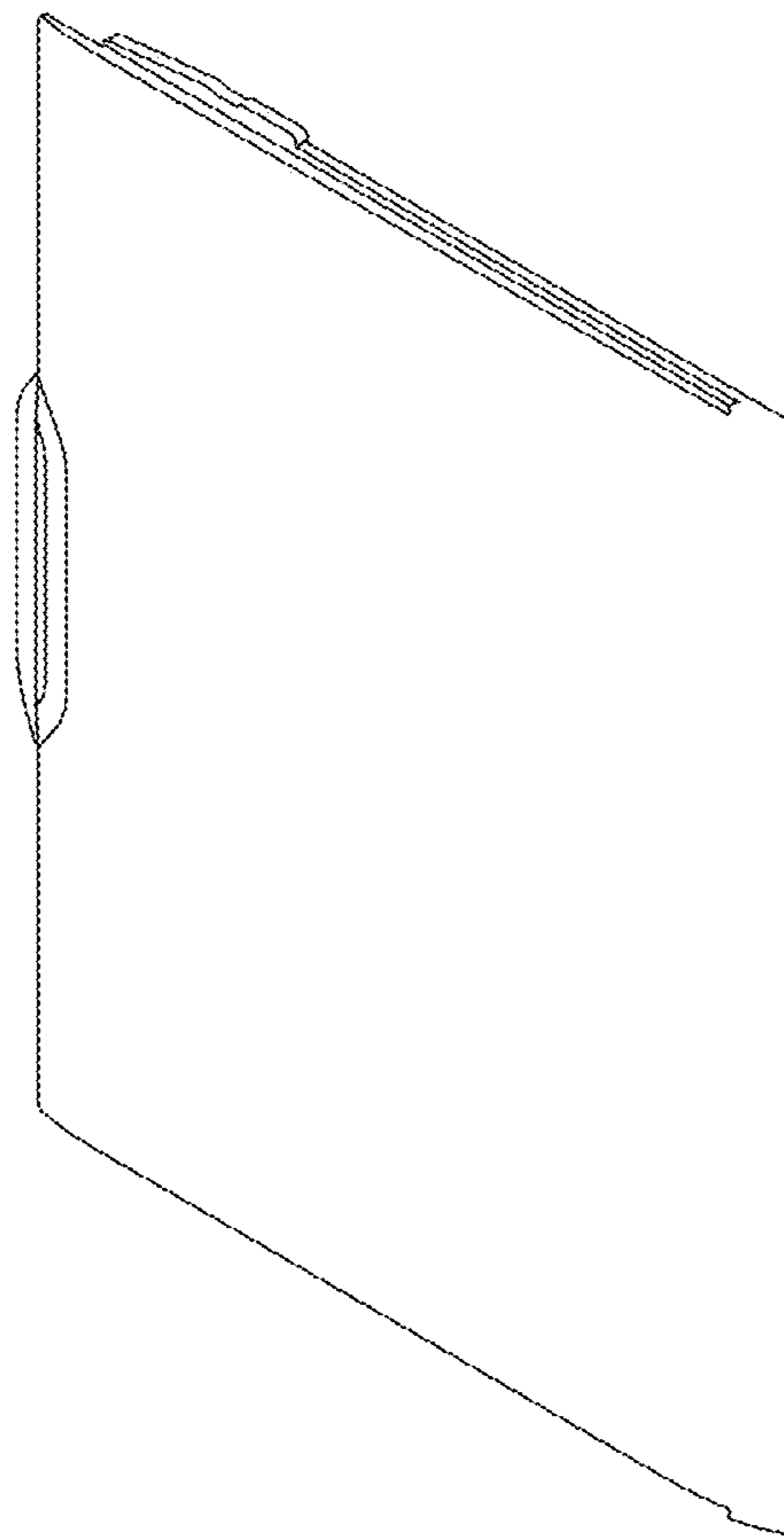


FIG. 16

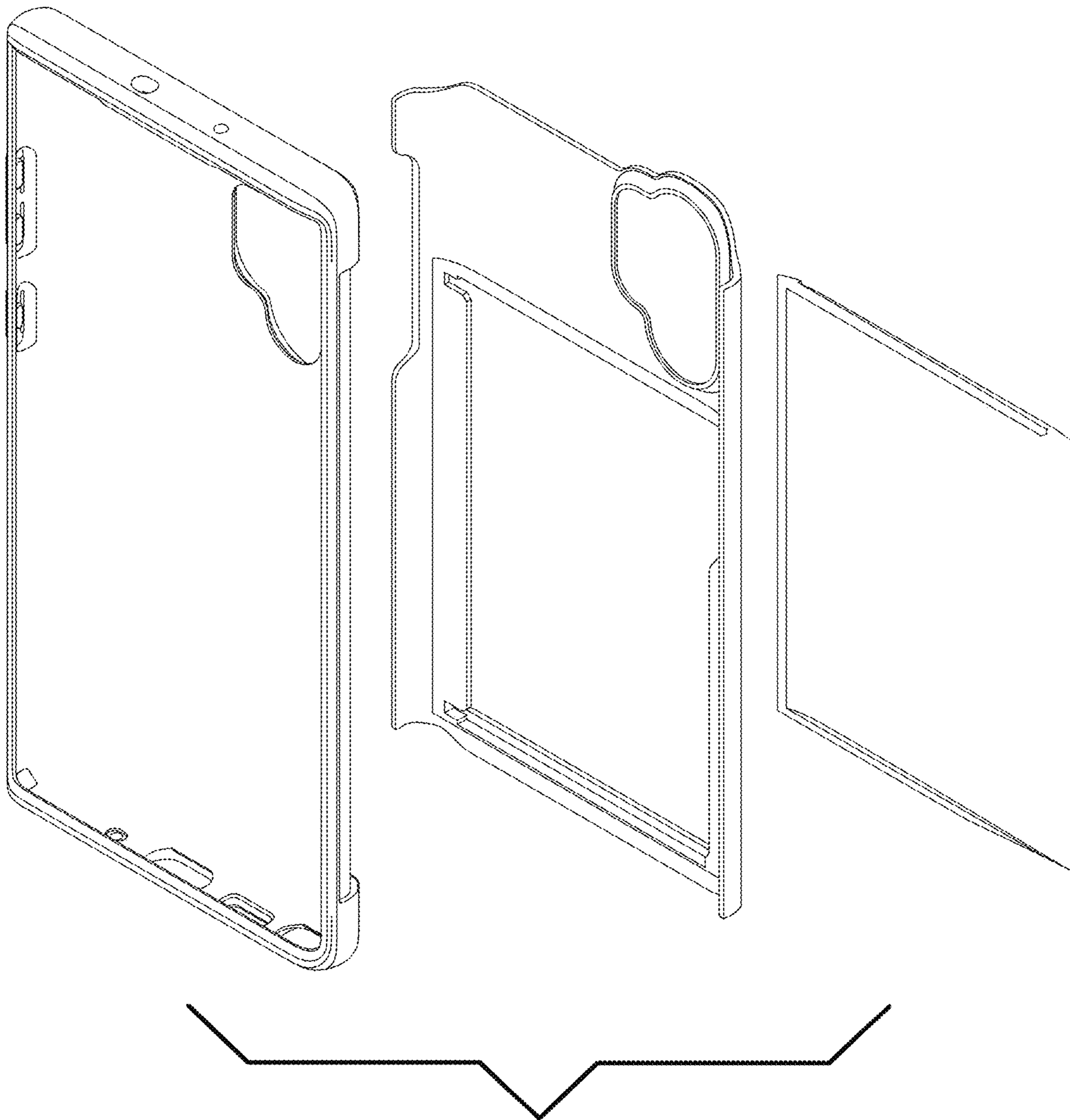


FIG. 17

