



US00D909357S

(12) **United States Design Patent** (10) **Patent No.:** **US D909,357 S**
Yun (45) **Date of Patent:** **** Feb. 2, 2021**

(54) **CASE FOR ELECTRONIC COMMUNICATIONS DEVICE**

(71) Applicant: **SPIGEN KOREA CO., LTD.**, Seoul (KR)

(72) Inventor: **Sun Woo Yun**, Seoul (KR)

(73) Assignee: **SPIGEN KOREA CO., LTD.**, Seoul (KR)

(**) Term: **15 Years**

(21) Appl. No.: **29/688,193**

(22) Filed: **Apr. 18, 2019**

(51) **LOC (13) Cl.** **14-03**

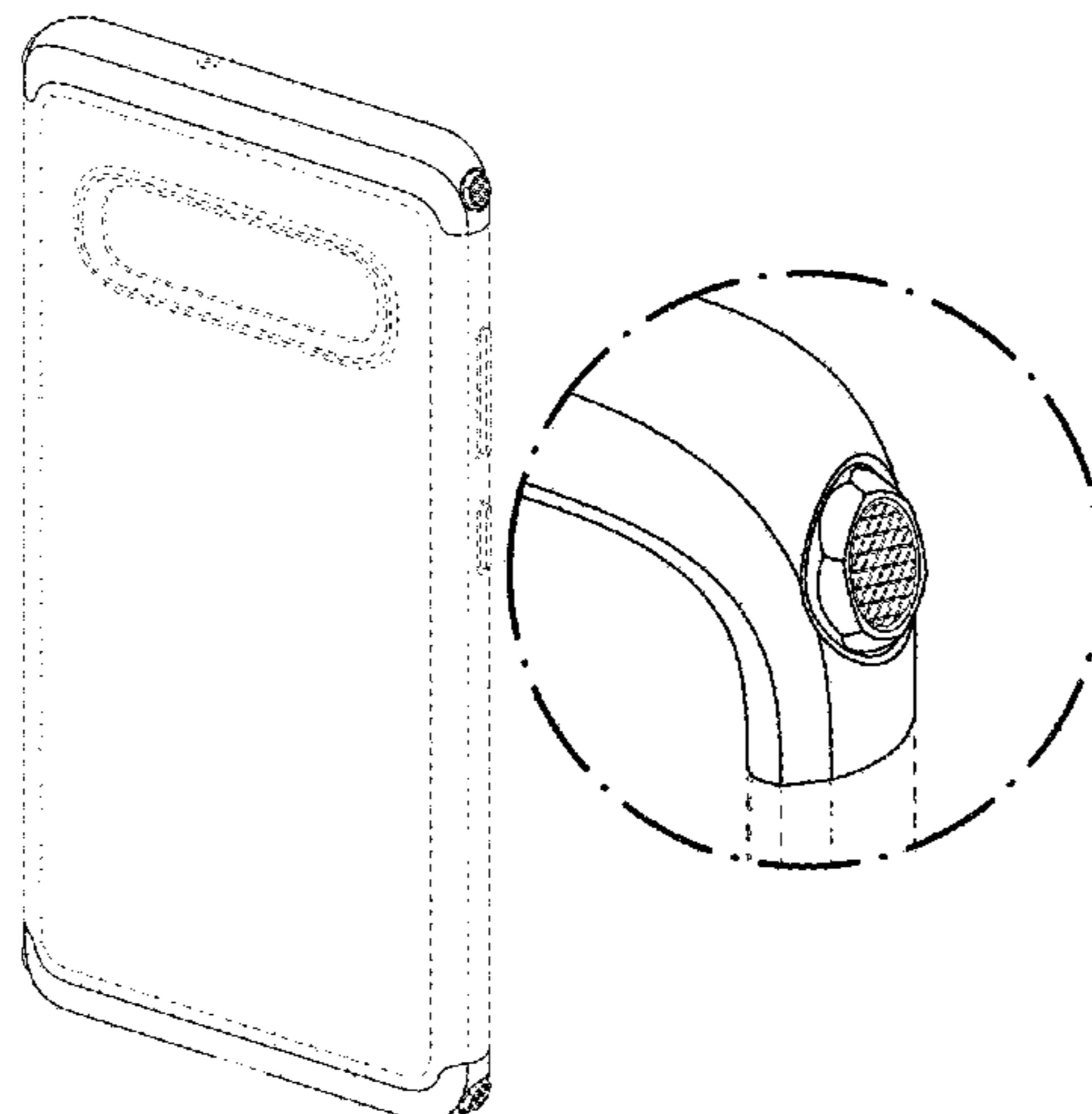
(52) **U.S. Cl.**
 USPC **D14/250**

(58) **Field of Classification Search**
 USPC D3/201, 218, 226, 227, 247, 249, 250, D3/269, 303; D13/103, 107, 108, 119; D14/137, 138 R, 138 AA, 138 C, 138 G, D14/172, 192, 203.3–203.7, 217, 238.1, D14/247, 248, 250–253, 434, 440, 447, D14/496
 CPC H04B 1/3888; H04M 1/0283; H04M 1/0202; A45C 1/06; A45C 2011/002; A45C 11/00; A45F 2005/028; A45F 2200/0525
 See application file for complete search history.

D623,651 S * 9/2010 Hsu D14/218
 D623,652 S * 9/2010 Hsu D14/218
 D637,589 S 5/2011 Willes et al.
 D646,265 S 10/2011 Fathollahi
 D650,371 S 12/2011 Wibby et al.
 D663,263 S 7/2012 Gupta et al.
 D681,615 S 5/2013 Fathollahi
 D682,196 S 5/2013 Leung
 8,504,127 B2 8/2013 Altschul et al.
 8,517,172 B1 8/2013 Chang
 D691,123 S * 10/2013 Lay D14/250
 D694,225 S 11/2013 Yu-Guen
 D696,654 S 12/2013 Lee
 8,726,952 B2 5/2014 Jambunathan et al.
 D707,965 S 7/2014 Requa
 D709,485 S * 7/2014 Bishop D14/250
 D716,045 S 10/2014 Requa
 D718,757 S * 12/2014 Jaffee D14/250
 D718,758 S * 12/2014 Jaffee D14/250
 D719,947 S * 12/2014 Kobayashi D14/250
 D721,694 S 1/2015 Lee et al.
 8,971,975 B2 3/2015 Ramies et al.
 D731,481 S 6/2015 Akana et al.
 9,049,283 B1 6/2015 Kim
 D733,693 S 7/2015 Wang et al.
 D740,794 S 10/2015 Choi et al.
 D741,845 S 10/2015 Kim
 D743,931 S 11/2015 Hubbard et al.
 D744,995 S 12/2015 Lerenthal
 D746,275 S 12/2015 Mohammad
 D746,805 S 1/2016 Kim
 9,241,551 B2 1/2016 Lawson et al.
 D748,613 S * 2/2016 Sasaki D14/250
 D749,068 S 2/2016 Zaborski et al.
 D749,557 S 2/2016 Feng
 D753,099 S 4/2016 Kim
 D756,911 S 5/2016 Gupta et al.
 D759,966 S 6/2016 Pignotti
 D761,239 S 7/2016 Kim
 D763,842 S 8/2016 Chang et al.
 D765,628 S 9/2016 Watt et al.
 D765,635 S 9/2016 Chang et al.
 D765,638 S 9/2016 Gaylord et al.
 D765,640 S 9/2016 Bulkley et al.
 D765,641 S 9/2016 Bulkley et al.
 D780,164 S 2/2017 Lee
 D781,835 S 3/2017 Kim et al.
 D782,456 S 3/2017 Park et al.
 D783,602 S 4/2017 Akana et al.
 D784,309 S 4/2017 Lee et al.
 D786,233 S 5/2017 Kim
 D786,846 S 5/2017 Kim et al.
 D786,849 S 5/2017 Park et al.

(56) **References Cited**
 U.S. PATENT DOCUMENTS

D76,255 S * 9/1928 Nelson D8/397
 D114,962 S * 5/1939 Ortner D3/321
 3,277,769 A * 10/1966 Lippmeier F16B 15/06
 411/394
 D295,370 S * 4/1988 Carlo D8/397
 D405,800 S * 2/1999 Brown D14/230
 D463,125 S * 9/2002 Cheng D3/321
 D515,317 S * 2/2006 Chintala D3/321
 D519,361 S * 4/2006 Olander D8/397
 D606,853 S * 12/2009 Shapiro D8/397
 D619,361 S 7/2010 Andre et al.
 D620,247 S * 7/2010 Behar D3/218



D787,492 S	5/2017	Kim	
D788,089 S	5/2017	Park et al.	
D788,093 S	5/2017	Lee et al.	
D789,344 S	6/2017	Kim	
D792,394 S	7/2017	Lee et al.	
D797,090 S	9/2017	Lee et al.	
D798,286 S	9/2017	Roberts et al.	
D798,701 S	* 10/2017	Hill	F16B 35/00 D8/397
D798,853 S	10/2017	Park et al.	
D800,714 S	10/2017	Lee et al.	
D801,322 S	10/2017	Song et al.	
D801,323 S	10/2017	Kim	
D805,505 S	12/2017	Wang et al.	
D808,955 S	1/2018	Park et al.	
D809,498 S	* 2/2018	Ahn	D14/250
D810,726 S	2/2018	Chou et al.	
D810,727 S	2/2018	Song et al.	
D813,856 S	* 3/2018	Daubmeier	D14/250
D819,011 S	* 5/2018	Eulette	D14/250
D819,012 S	5/2018	Kim et al.	
D819,013 S	5/2018	Kim et al.	
D824,376 S	7/2018	Lee	
D829,200 S	9/2018	Yun	
D831,007 S	10/2018	Gong	
D833,426 S	* 11/2018	Yun	D14/250
D835,089 S	12/2018	Nelson et al.	
D836,623 S	12/2018	Hyun	
D837,780 S	* 1/2019	Eulette	D14/250
D839,862 S	2/2019	Hyun	
D845,293 S	4/2019	Barfoot et al.	
D845,941 S	* 4/2019	Chen	D14/250
D848,995 S	5/2019	Zhu	
D851,081 S	6/2019	Fitzgerald et al.	
D851,082 S	6/2019	Fitzgerald et al.	
D851,640 S	6/2019	Malak et al.	
D852,185 S	6/2019	Yu	
D852,186 S	6/2019	Yu	
D852,197 S	6/2019	Akana et al.	

OTHER PUBLICATIONS

Spigen Neo Hybrid NC Design for Samsung Galaxy S10e, publication date Mar. 7, 2019, [online][site visited Nov. 15, 2019] URL: <https://www.amazon.com/Spigen-Hybrid-Designed-Samsung-Galaxy/dp/B07MCVW6KV> (Year: 2019).*

Spigen Neo Hybrid NC Design for Samsung Galaxy S10, publication date Mar. 12, 2019, [online][site visited Nov. 15, 2019] URL: <https://www.amazon.com/Spigen-Hybrid-Designed-Samsung-Galaxy/dp/B07M861ZVJ> (Year: 2019).*

“Spigen Tough Armor iPhone SE/5S/5 Case with Extreme Heavy Duty Protection and Air Cushion Technology for iPhone SE/iPhone 5S/iPhone 5—Metal Slate”, <https://www.amazon.com/Spigen-Extreme-Protection-Cushion-Technology/dp/B00DMKGPP4>, Earliest review date of Aug. 1, 2013, Downloaded on Aug. 9, 2018.

“Spigen Tough Armor Designed for Apple iPad Mini 3 Case, iPad Mini 2 Case, iPad Mini Case—Metal Slate”, <https://www.amazon.com/Spigen-Tough-Armor-Designed-Apple/dp/B00FRDVXK>, Earliest review date of Dec. 27, 2013, Downloaded on Jan. 15, 2019.

“Spigen Tough Armor Galaxy S5 Case with Extreme Heavy Duty Protection and Air Cushion Technology for Samsung Galaxy S5 2014—Gunmetal”, <https://www.amazon.com/Spigen-Extreme-Protection-Cushion-Technology/dp/B00I3UWDV8>, Earliest review date of Mar. 9, 2014, Downloaded on Aug. 9, 2018.

“Spigen Tough Armor iPhone 6 Plus Case with Kickstand and Extreme Heavy Duty Protection and Air Cushion Technology for iPhone 6S Plus / iPhone 6 Plus—Gunmetal”, <https://www.amazon.com/dp/B00LL987W2>, Earliest review date of Jul. 8, 2014, Downloaded on Oct. 4, 2017.

“Spigen Tough Armor iPhone 6 Case with Extreme Heavy Duty Protection and Air Cushion Technology for iPhone 6S/ iPhone 6—Smooth Black”, <https://www.amazon.com/Spigen-Extreme-Protection-Cushion-Technology/dp/B00NSSX231>, Earliest review date of Aug. 14, 2014, Downloaded on Aug. 9, 2018.

“Spigen Tough Armor iPhone 6 Case with Extreme Heavy Duty Protection and Air Cushion Technology for iPhone 6S / iPhone 6—Gunmetal”, <https://www.amazon.com/Spigen-Extreme-Protection-Cushion-Technology/dp/B00LL60JU8>, Earliest review date of Sep. 10, 2014, Downloaded on Jan. 15, 2019.

“Spigen Tough Armor S iPhone 6 Case with Extreme Heavy Duty Protection and Card Kickstand Feature for iPhone 5S / iPhone 6—S Mint”, <https://www.amazon.com/Spigen-Extreme-Protection-Kickstand-Feature/dp/B00LL65B06>, Earliest review date of Sep. 18, 2014, Downloaded on Jan. 15, 2019.

“Spigen Tough Armor Galaxy Note 4 Case with Extreme Heavy Duty Protection and Air Cushion Technology for Samsung Galaxy Note 4 2014—Gunmetal”, <https://www.amazon.com/dp/B00MAWQU14>, Earliest review date of Oct. 9, 2014, Downloaded on Aug. 31, 2018.

“Spigen Tough Armor FX iPhone 6 Case with Extreme Protection and Front Built-In Screen Protector Cover for iPhone 5S / iPhone 6—Gunmetal”, <https://www.amazon.com/Spigen-iPhone-Extreme-Protection-Protector/dp/B00PR9XE5C>, Earliest review date of Jan. 8, 2015, Downloaded on Jan. 15, 2019.

“Spigen Tough Armor Galaxy S6 Edge Case with Kickstand and Extreme Heavy Duty Protection and Air Cushion Technology for Galaxy S6 Edge 2015—Gunmetal”, <https://www.amazon.com/dp/B00SV63L38>, Earliest review date of Mar. 12, 2015, Downloaded on Aug. 9, 2018.

“Spigen Tough Armor Galaxy S6 Case with Kickstand and Air Cushion Technology for Galaxy S6 2015—Gunmetal”, <https://www.amazon.com/dp/B00QU4PUKK>, Earliest review date of Mar. 23, 2015, Downloaded on Aug. 9, 2018.

“Spigen Tough Armor iPhone 6S Case with Extreme Heavy Duty Protection and Air Cushion Technology for iPhone 5S/iPhone 6—Rose Gold”, <https://www.amazon.com/dp/B013TKNNGK>, Earliest review date of Aug. 30, 2015, Downloaded on Aug. 8, 2018.

“Spigen Tough Armor iPhone 6S Plus Case with Kickstand and Heavy Duty Air Cushion Technology Protection for iPhone 6S Plus/iPhone 6 Plus Only—Gunmetal”, <https://www.amazon.com/Spigen-Kickstand-Cushion-Technology-Protection/dp/B010MVQJPQ>, Earliest review date of Sep. 9, 2015, Downloaded on Aug. 9, 2018.

“Spigen Tough Armor Galaxy S7 Edge Case with Kickstand and Extreme Heavy Duty Protection and Air Cushion Technology for Samsung Galaxy S7 Edge 2016—Gunmetal”, <https://www.amazon.com/dp/B01A7IDNWQ>, Earliest review date of Feb. 24, 2016, Downloaded on Aug. 9, 2018.

“Spigen Tough Armor Galaxy S7 Case with Extreme Heavy Duty Protection and Air Cushion Technology for Samsung Galaxy S7 2016—Gunmetal”, <https://www.amazon.com/dp/B01A7ID3PS>, Earliest review date of Feb. 25, 2016, Downloaded on Aug. 9, 2018.

“Spigen Tough Armor LG G5 Case with Reinforced Kickstand and Heavy Duty Protection and Air Cushion Technology for LG G5 (2016)—Gunmetal”, <https://www.amazon.com/dp/B01B1GQL61>, Earliest review date of Mar. 11, 2016, Downloaded on Aug. 9, 2018.

“Spigen Tough Armor iPhone SE Case with Extreme Heavy Duty Protection and Air Cushion Technology for iPhone SE 2016—Black”, <https://www.amazon.com/Spigen-Extreme-Protection-Cushion-Technology/dp/B01BEJB9XM>, Earliest review date of Apr. 7, 2016, Downloaded on Aug. 9, 2018.

“Spigen Tough Armor Heavy Duty Extreme Protection Rugged Slim Dual Layer Protective Cover Case for Apple iPhone 7—Gunmetal”, <https://www.amazon.co.uk/dp/B01GIVWY30>, Date first available at Amazon.co.uk of Aug. 2, 2016, Downloaded on Sep. 17, 2018.

“Spigen Tough Armor iPhone 7 Plus / iPhone 8 Plus Case with Extreme Heavy Duty Protection and Air Cushion Technology with Kickstand for Apple iPhone 7 Plus 2016/ iPhone 8 Plus 2017—Rose Gold”, <https://www.amazon.com/dp/B01GIWGE8A>, Earliest review date of Sep. 6, 2016, Downloaded on Aug. 9, 2018.

“Spigen Tough Armor iPhone 7 Case with Extreme Heavy Duty Protection and Air Cushion Technology for iPhone 7 2016—Black”, <https://www.amazon.com/dp/B01GIVX301>, Earliest review date of Sep. 9, 2016, Downloaded on Aug. 9, 2018.

“Spigen Tough Armor iPhone 7 Case with Jet Black Optimized Color and Extreme Heavy Duty Protection and Air cushion Technology for iPhone 7 2016—Jet Black”, <https://www.amazon.com/>

Spigen-Optimized-Extreme-Protection-Technology/dp/B01LRSFLFM, Earliest review date of Sep. 25, 2016, Downloaded on Aug. 9, 2018.

“Spigen Tough Armor Google Pixel Case with Kickstand and Heavy Duty Air Cushion Technology Protection for Google Pixel 2016—Black”, <https://www.amazon.com/Spigen-Kickstand-Cushion-Technology-Protection/dp/B01M12Z4PY>, Earliest review date of Oct. 20, 2016, Downloaded on Aug. 9, 2018.

“Spigen Tough Armor Google Pixel XL Case with Kickstand and Heavy Duty Air Cushion Technology Protection for Google Pixel XL 2016—Gunmetal”, <https://www.amazon.com/Spigen-Kickstand-Cushion-Technology-Protection/dp/B01LZGCH6E>, Earliest review date of Oct. 21, 2016, Downloaded on Aug. 9, 2018.

“Spigen Tough Armor LG V20 Case with Kickstand and Extreme Heavy Duty Protection and Air Cushion Technology for LG V20—Gunmetal”, <https://www.amazon.com/Spigen-Kickstand-Extreme-Protection-Technology/dp/B01M9F154B>, Earliest review date of Dec. 2, 2016, Downloaded on Aug. 9, 2018.

“Spigen Tough Armor Designed for Apple Watch Case for 42mm Series 3 / Series 2/1 / Original (2015) / Nike+ Sport Edition and Built in Screen Protector—Gunmetal”, <https://www.amazon.com/dp/B01N74P26H>, Earliest review date of Jan. 4, 2017, Downloaded on Jan. 15, 2019.

“Spigen Tough Armor LG G6 Case with Extreme Heavy Duty Protection and Air Cushion Technology for LG G6 (2017)—Black”, <https://www.amazon.com/dp/B01MR8C4RY>, Earliest review date of Mar. 26, 2017, Downloaded on Aug. 9, 2018.

“Spigen Tough Armor Galaxy S8 Plus Case with Reinforced Kickstand and Heavy Duty Protection and Air Cushion Technology for Samsung Galaxy S8 Plus (2017)—Black”, <https://www.amazon.com/dp/B06XP4FP8N>, Earliest review date of Apr. 8, 2017, Downloaded on Aug. 9, 2018.

“Spigen Tough Armor Galaxy S8 Case with Kickstand and Extreme Heavy Duty Protection and Air Cushion Technology for Samsung Galaxy S8 (2017)—Black”, <http://www.amazon.com/dp/B0716CZ3Z1>, Earliest review date of Apr. 9, 2017, downloaded on Aug. 9, 2018.

“Spigen Tough Armor [2nd Generation] iPhone 8 Plus Case/iPhone 7 Plus Case with Kickstand Air Cushion Technology for Apple iPhone 8 Plus (2017) / iPhone 7 Plus (2016)—Black”, <http://www.amazon.com/dp/B07482KRLP>, Earliest review date of Aug. 18, 2017, downloaded on Jan. 15, 2019.

“Spigen Tough Armor [2nd Generation] iPhone 8 Plus Case/iPhone 7 Plus Case with Kickstand Air Cushion Technology for Apple iPhone 8 Plus (2017)/iPhone 7 Plus (2016)—Rose Gold”, <http://www.amazon.com/dp/B074826HMD>, Earliest review date of Aug. 18, 2017, downloaded on Aug. 9, 2018.

“Spigen Tough Armor Galaxy Note 8 Case with Kickstand and Extreme Heavy Duty Protection and Air Cushion Technology for Galaxy Note 8 (2017)—Orchid Gray”, <http://www.amazon.com/dp/B073R7MND3>, Earliest review date of Aug. 26, 2017, downloaded on Aug. 9, 2018.

“Spigen Tough Armor [2nd Generation] iPhone 8 Case/iPhone 7 Case with Kickstand and Heavy Duty Protection and Air Cushion Technology for Apple iPhone 8 (2017)/iPhone 7 (2016)—Gunmetal”, <http://www.amazon.com/dp/B07482KVD3>, Earliest review date of Sep. 2, 2017, downloaded on Aug. 9, 2018.

“Spigen Tough Armor LG V30 Case with Kickstand and Heavy Duty Protection for LG V30 (2017)—Black”, <http://www.amazon.com/dp/B071WS1TYG>, Earliest review date of Sep. 8, 2017, downloaded on Aug. 9, 2018.

“Spigen Tough Armor Galaxy S8 Active Case with Kickstand and Extreme Heavy Duty Protection and Air Cushion Technology for Galaxy S8 Active (2017)—Gunmetal”, <http://www.amazon.com/dp/B0746PT25T>, Earliest review date of Sep. 15, 2017, downloaded on Aug. 9, 2018.

“Spigen Tough Armor Designed for Apple iPhone X Case (2018) / Designed for Apple iPhone X Case (2017)—Matte Black”, <http://www.amazon.com/dp/B074CMT7HV>, Earliest review date of Sep. 27, 2017, downloaded on Jan. 15, 2019.

“Spigen Tough Armor Designed for Apple iPad Pro 10.5 Case (2017)—Black”, <http://www.amazon.com/dp/B0751GFB8X>, Earliest review date of Oct. 11, 2017, downloaded on Jan. 15, 2019.

“Spigen Tough Armor Designed for Apple iPad 9.7 Case iPad Case (2017/2018)—Black”, <http://www.amazon.com/dp/B072F7DGMJ>, Earliest review date of Oct. 23, 2017, downloaded on Jan. 15, 2019.

“Spigen Tough Armor Google Pixel 2 Case with Kickstand and Extreme Heavy Duty Protection and Air Cushion Technology for Google Pixel 2 (2017)—Gunmetal”, <http://www.amazon.com/dp/B0747523HC>, Earliest review date of Oct. 28, 2017, downloaded on Aug. 9, 2018.

“Spigen Tough Armor Google Pixel 2 XL Case with Kickstand and Extreme Heavy Duty Protection and Air Cushion Technology for Google Pixel 2 XL (2017)—Black”, <http://www.amazon.com/dp/B07477LL8Q>, Earliest review date of Oct. 29, 2017, downloaded on Aug. 9, 2018.

“Spigen Tough Armor Moto Z2 Force Case with Kickstand and Extreme Heavy Duty Protection and Air Cushion Technology for Moto Z2 Force (2017)—Gunmetal”, <http://www.amazon.com/dp/B074PB5HQ1>, Earliest review date of Nov. 21, 2017, downloaded on Aug. 9, 2018.

“Spigen Tough Armor Tech Designed for Apple iPad 9/ Case iPad Case (2017/2018)—Black”, <http://www.amazon.com/dp/B078FGC17H>, Earliest review date of Feb. 18, 2018, downloaded on Jan. 15, 2019.

“Spigen Tough Armor Galaxy S9 Plus Case with Reinforced Kickstand and Heavy Duty Protection and Air Cushion Technology for Samsung Galaxy S9 Plus (2018)—Lilac Purple”, <http://www.amazon.com/dp/B078BBPY98>, Earliest review date of Mar. 1, 2018, downloaded on Jan. 15, 2019.

“Spigen Tough Armor Galaxy S9 Case with Reinforced Kickstand and Heavy Duty Protection and Air Cushion Technology for Samsung Galaxy S9 (2018)—Graphite Gray”, <http://www.amazon.com/dp/B078B3K513>, Earliest review date of Mar. 10, 2018, downloaded on Jan. 16, 2019.

“Spigen Tough Armor Galaxy S9 Case with Reinforced Kickstand and Heavy Duty Protection and Air Cushion Technology for Samsung Galaxy S9 (2018)—Graphite Gray”, <http://www.amazon.com/dp/B078B3K513>, Earliest review late of Mar. 10, 2018, downloaded on Aug. 9, 2018.

“Spigen Thin Fit 360 Galaxy S9 Case with Extact Slim Full Protection with Tempered Glass Screen Protector for Samsung Galaxy S9 (2018)—Black”, <http://www.amazon.com/dp/B07896GDZ7>, Earliest review date of Mar. 15, 2018, downloaded on Jan. 9, 2019.

Spigen Galaxy S9/S9+ Neo Hybrid NC, https://www.youtube.com/watch?v=qAF2gIT_ZA0, downloaded on Jul. 28, 2020.

“Spigen Thin Fit 360 Galaxy S9 Plus Case with Exact Slim Full Protection with Tempered Glass Screen Protector for Samsung Galaxy S9 Plus (2018)—Black”, <http://www.amazon.com/dp/B07898KVKH>, Earliest review date of Apr. 6, 2018, downloaded on Jan. 9, 2019.

* cited by examiner

Primary Examiner — Susan E Krakower

Assistant Examiner — L. A. Grabenstetter

(74) *Attorney, Agent, or Firm* — Heedong Chae; Lucem, PC

(57)

CLAIM

The ornamental design for a case for electronic communications device, as shown and described.

DESCRIPTION

FIG. 1 is a front perspective view of a case for electronic communications device showing my new design;

FIG. 2 is a rear perspective view thereof;

FIG. 3 is a front elevational view thereof;

FIG. 4 is a rear elevational view thereof;

FIG. 5 is a left side elevational view thereof;

FIG. 6 is a right side elevational view thereof;

FIG. 7 is a top plan view thereof;
FIG. 8 is a bottom plan view thereof;
FIG. 9 is a front perspective view showing the top frame component of the case in isolation;
FIG. 10 is a rear perspective view showing the top frame component of the case in isolation;
FIG. 11 is a front perspective view showing the middle shell component of the case in isolation;
FIG. 12 is a rear perspective view showing the middle shell component of the case in isolation;
FIG. 13 is another rear perspective view showing the middle shell component of the case in isolation;
FIG. 14 is a front perspective view showing the bottom frame component of the case in isolation;
FIG. 15 is a rear perspective view showing the bottom frame component of the case in isolation;
FIG. 16 is an exploded front perspective view showing the components of the case separated for clarity of disclosure;
FIG. 17 is an exploded rear perspective view showing the components of the case separated for clarity of disclosure;

FIG. 18 is an enlarged detail view of the encircled region of FIG. 1; and

FIG. 19 is an enlarged detail view of the encircled region of FIG. 12.

Although the case for electronic communications device in which the claimed design is embodied comprises a top frame component, a bottom frame component, and a middle shell component, the claim is directed to the ornamental appearance of the case in its entirety and does not extend to the ornamental appearance of each of the individual components in isolation.

The dash-dot broken line circle in FIGS. 1 and 12 delineates a portion of the case that is part of the claimed design and that is shown on an enlarged scale respectively in FIGS. 18 and 19. The dashed broken lines throughout the drawing figures depict portions of the case that form no part of the claimed design.

1 Claim, 19 Drawing Sheets

FIG. 1

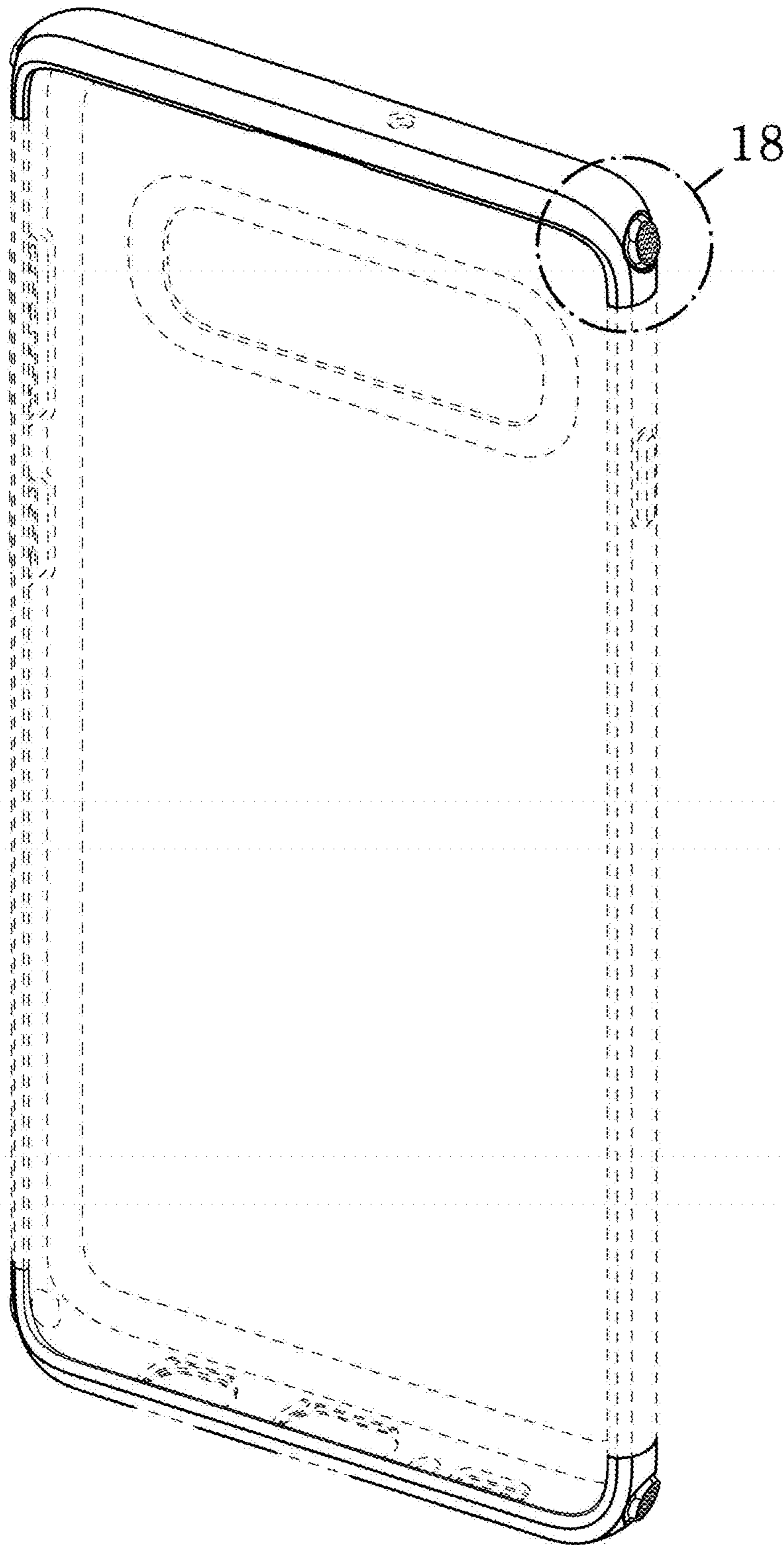


FIG. 2

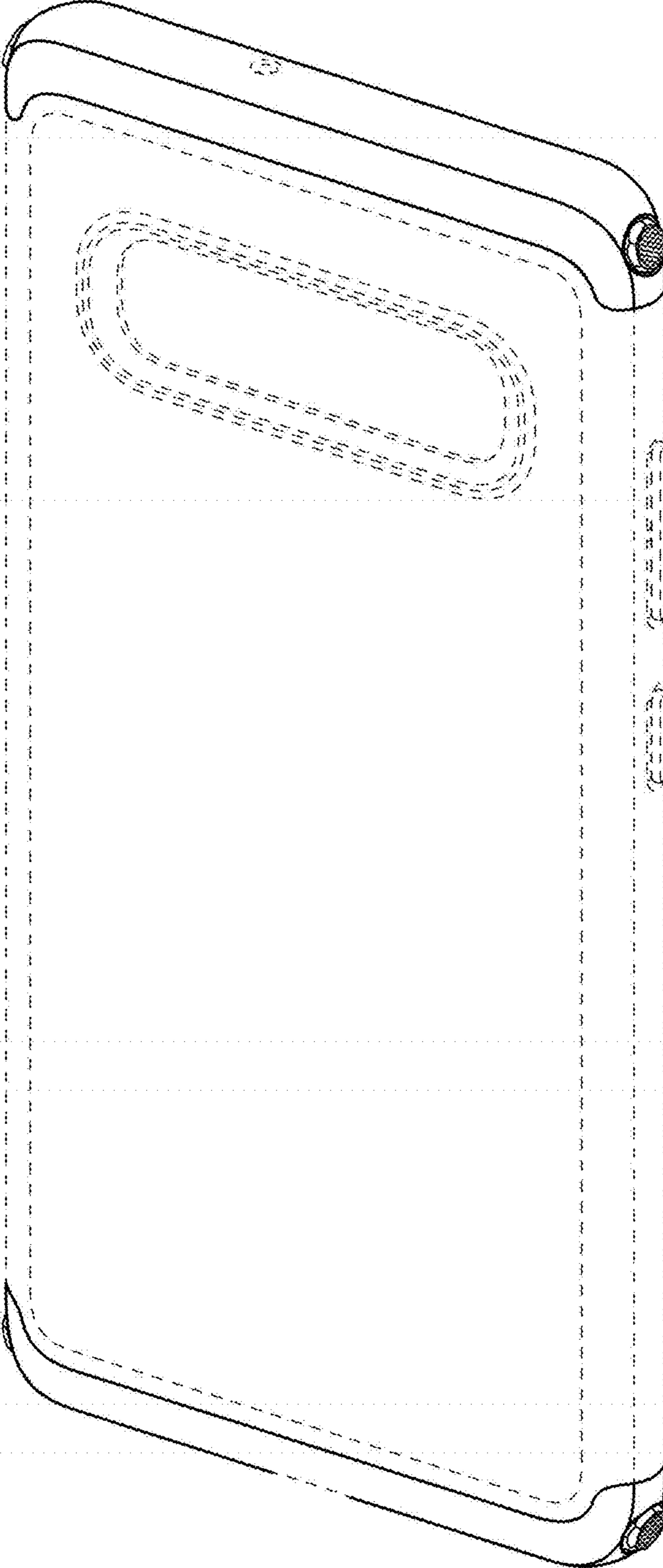


FIG. 3

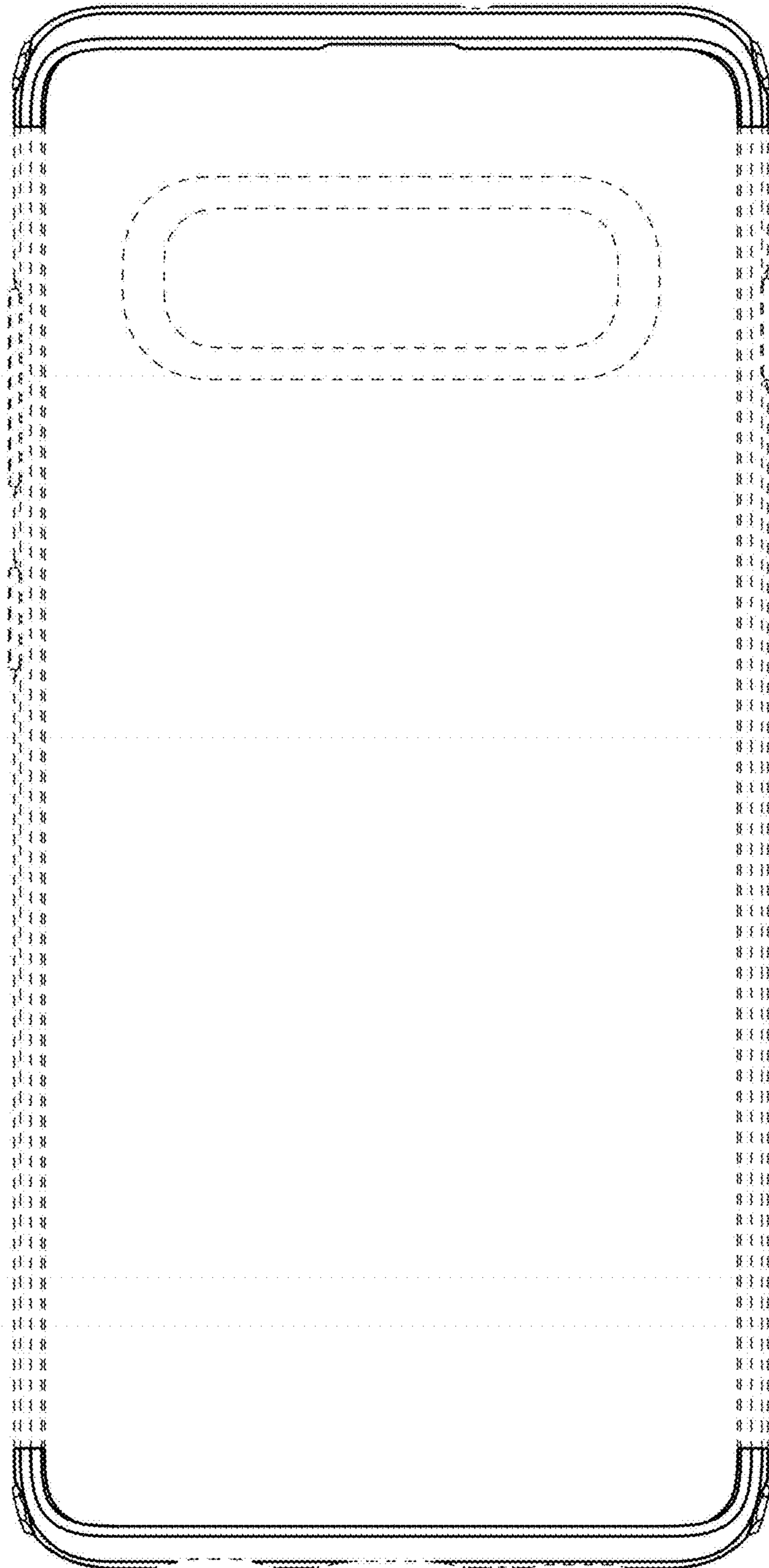


FIG. 4

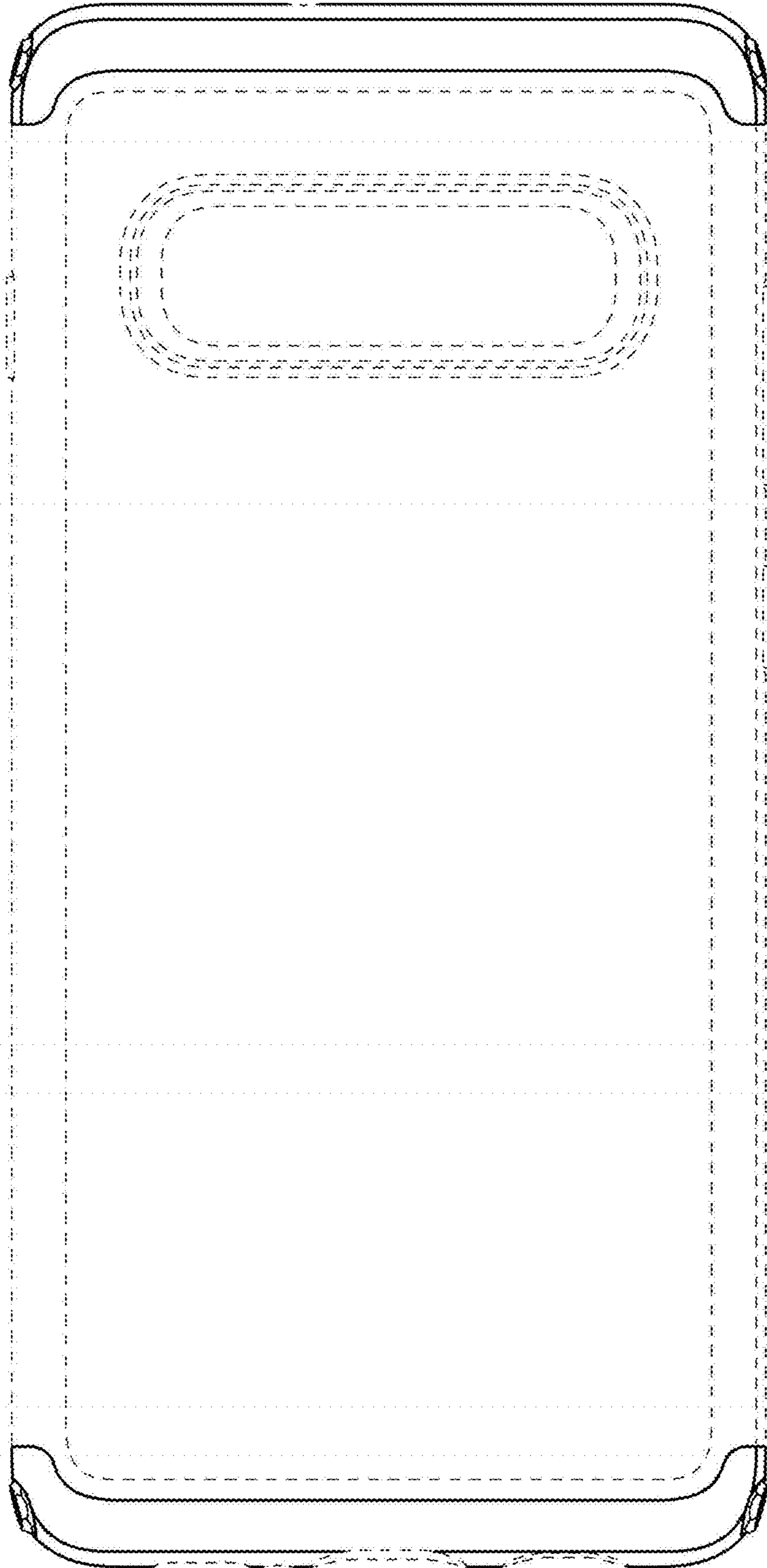


FIG. 5

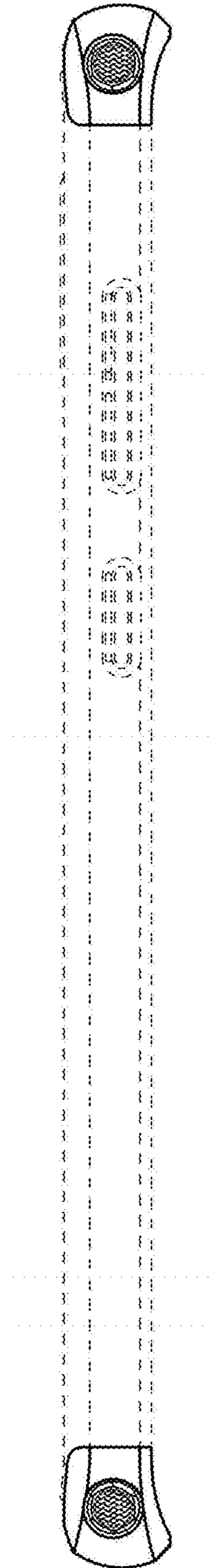


FIG. 6

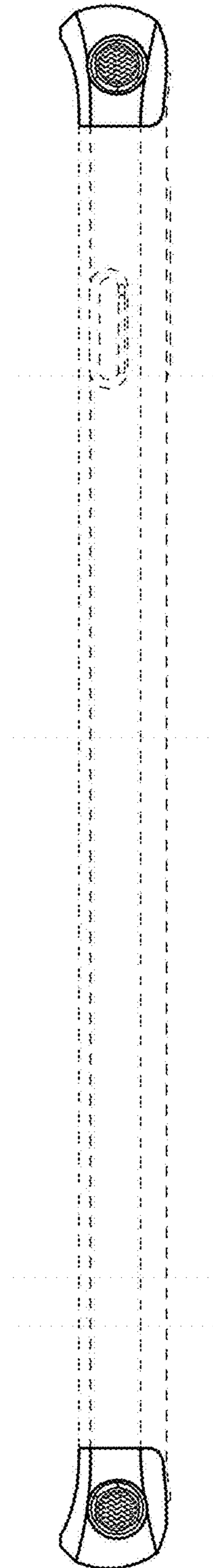


FIG. 7

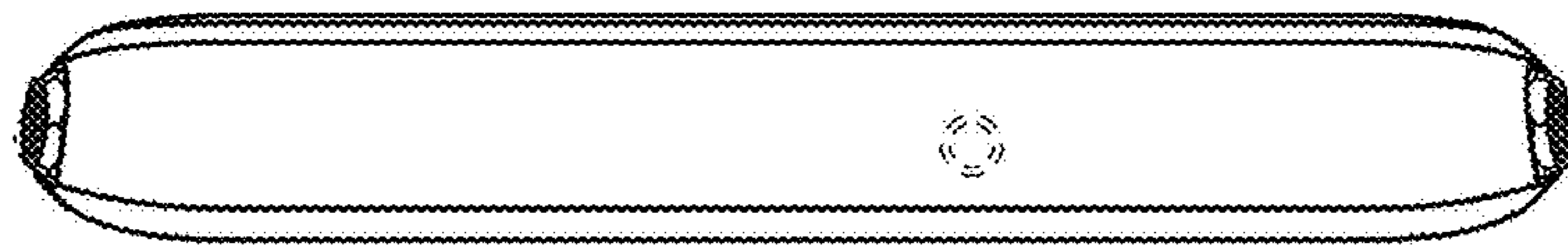


FIG. 8



FIG. 9

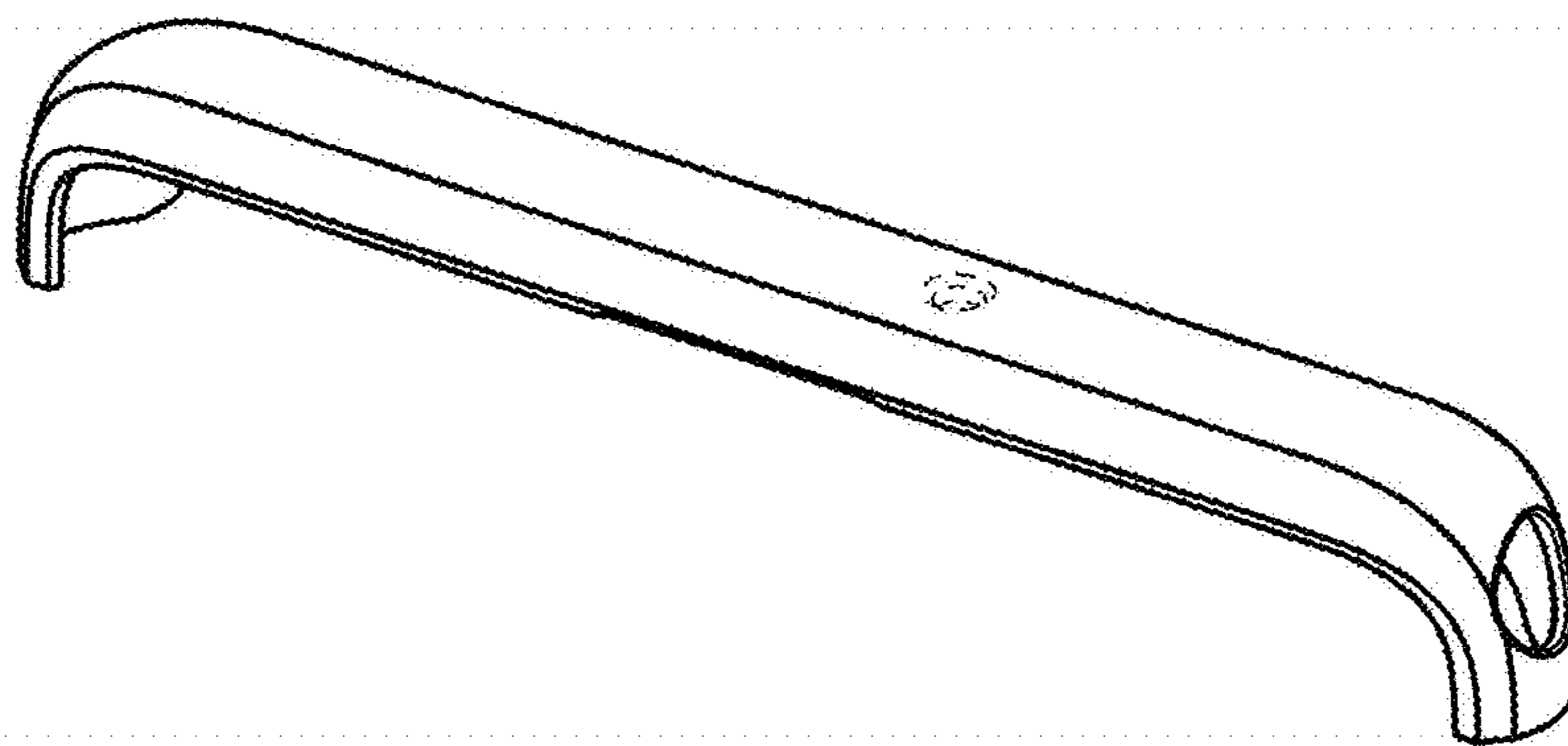


FIG. 10

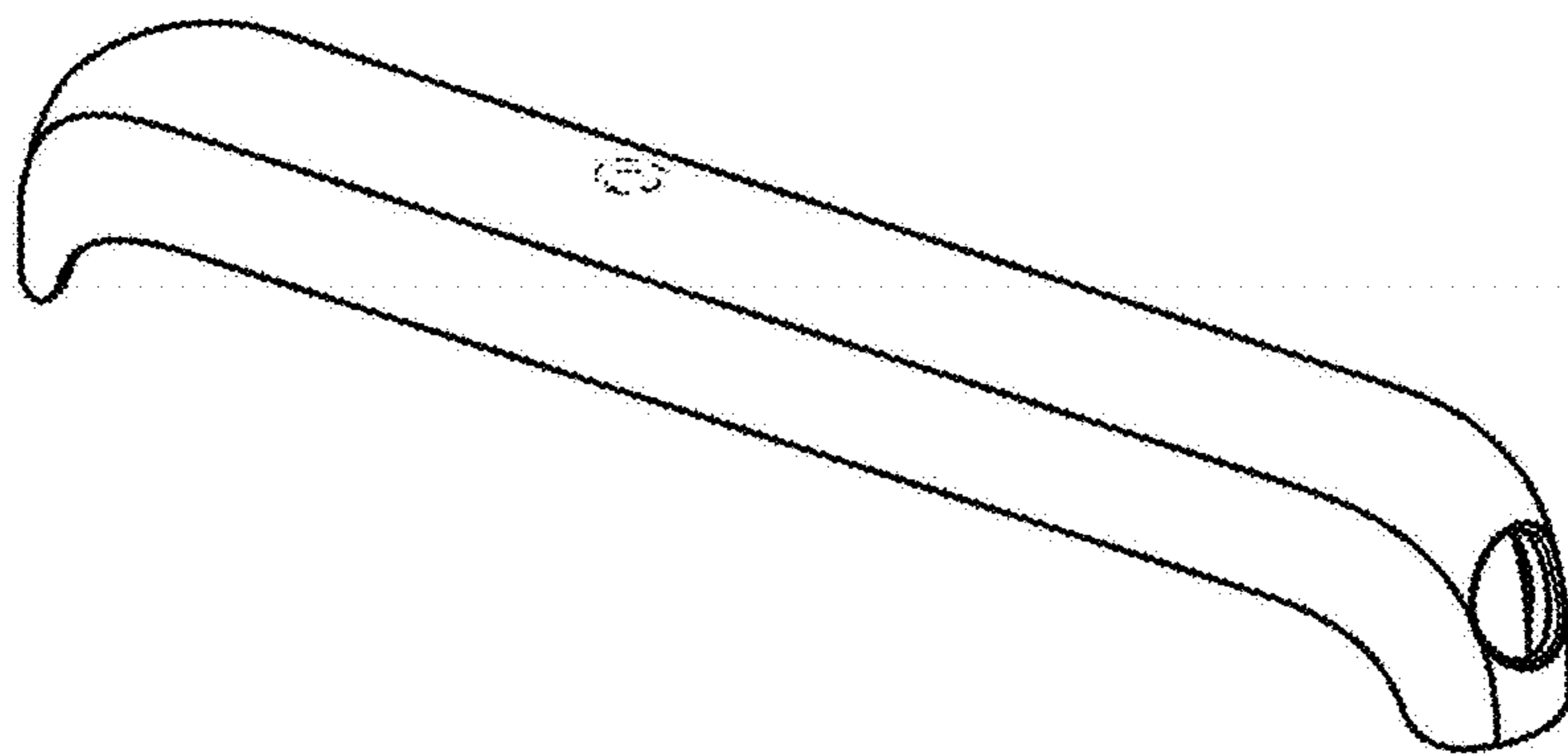


FIG. 11

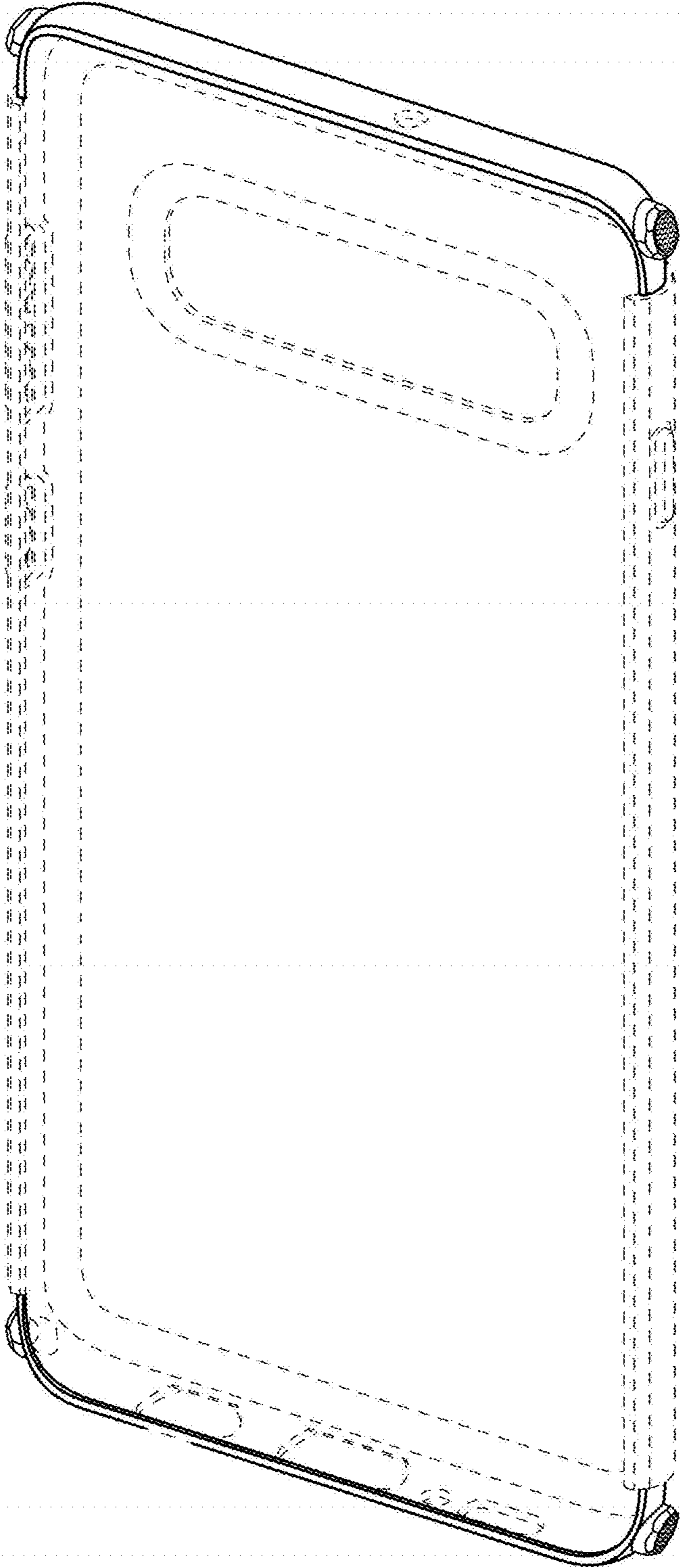


FIG. 12

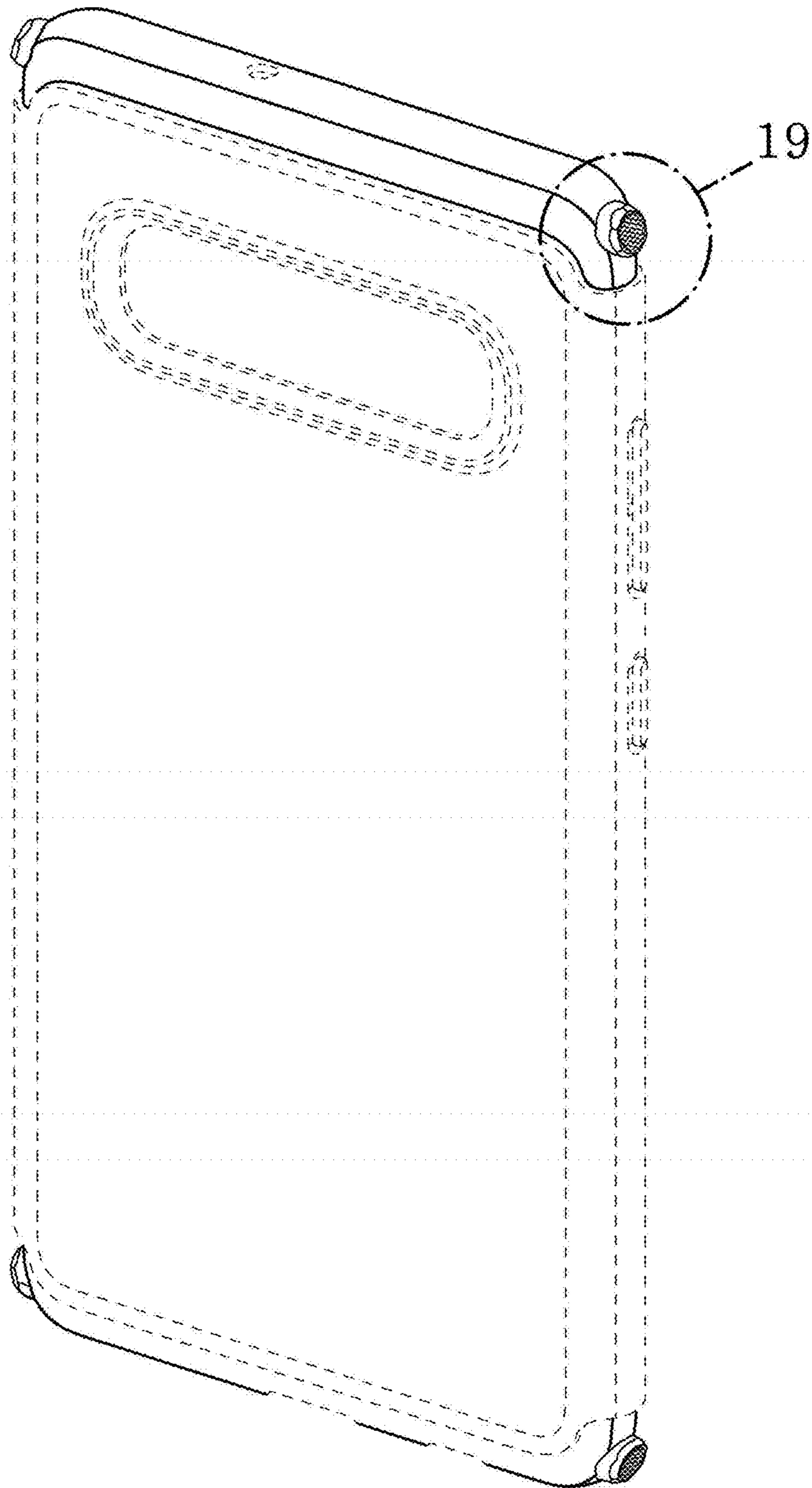


FIG. 13

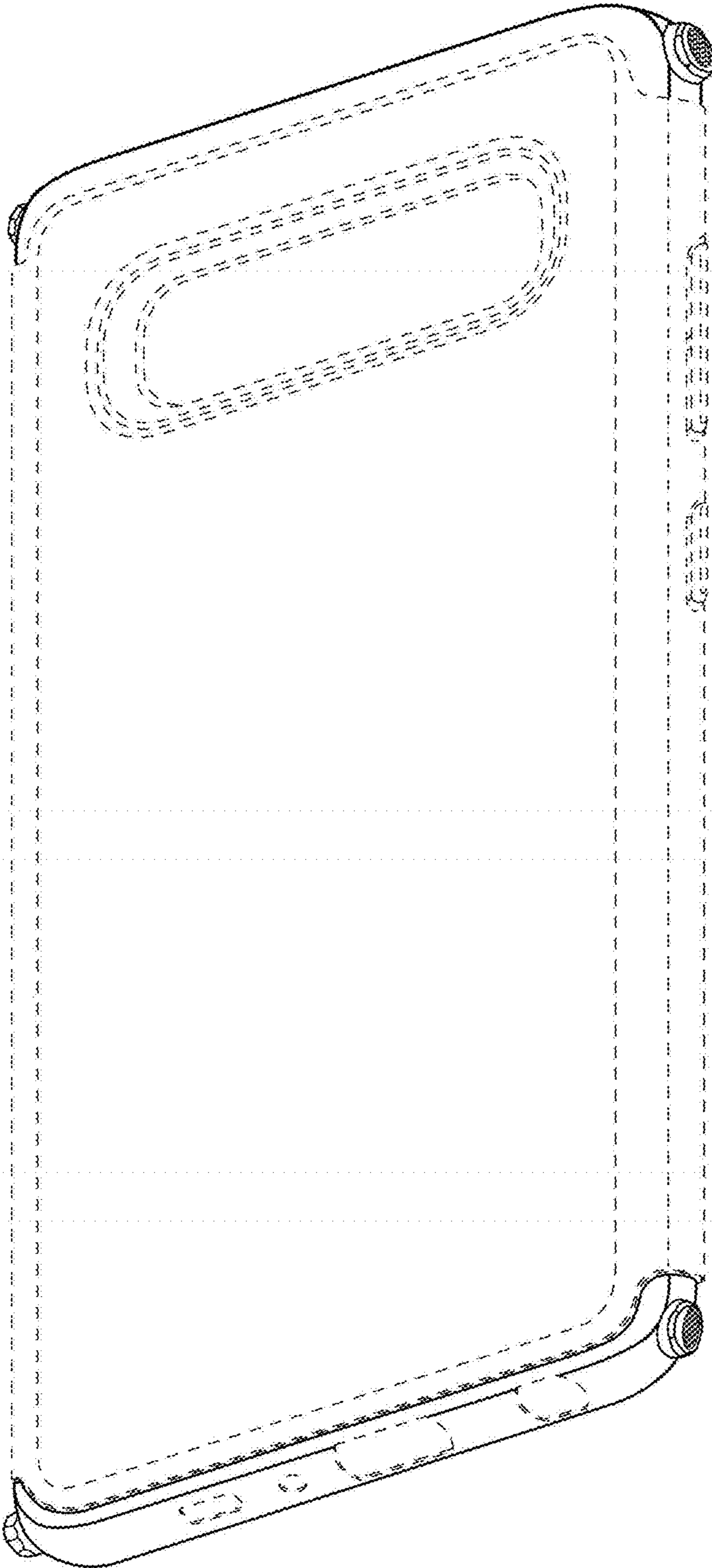


FIG. 14

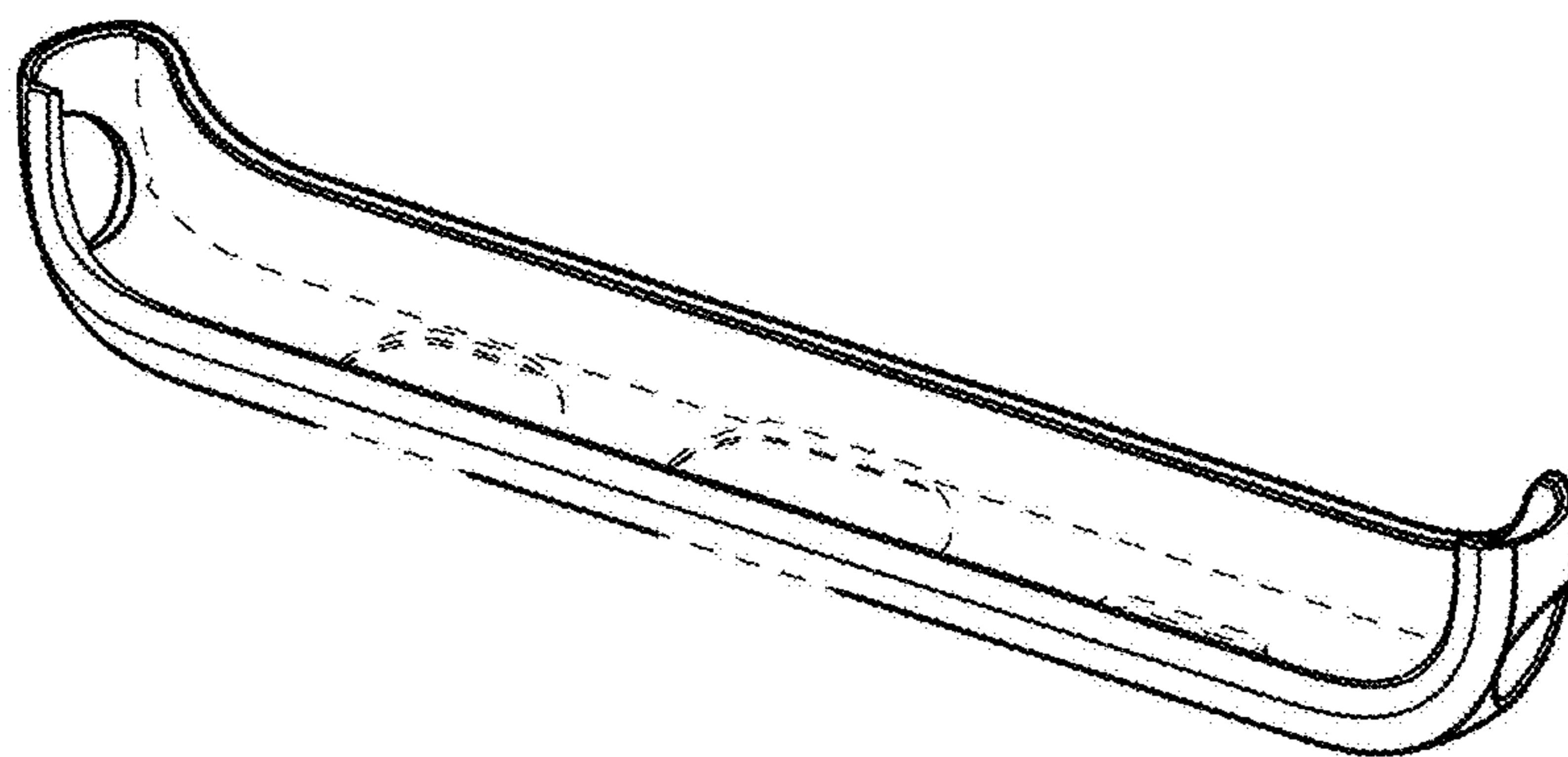


FIG. 15

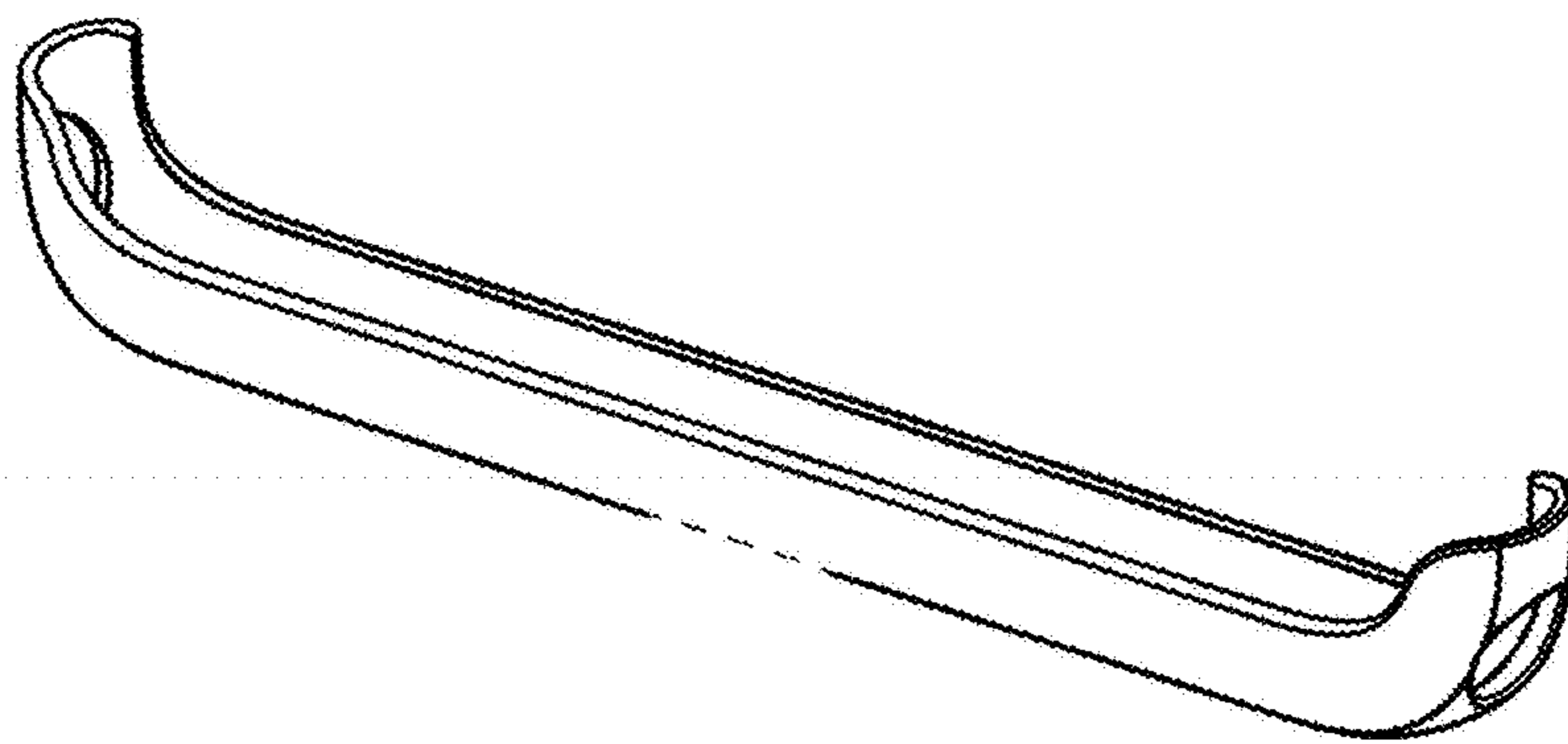


FIG. 16

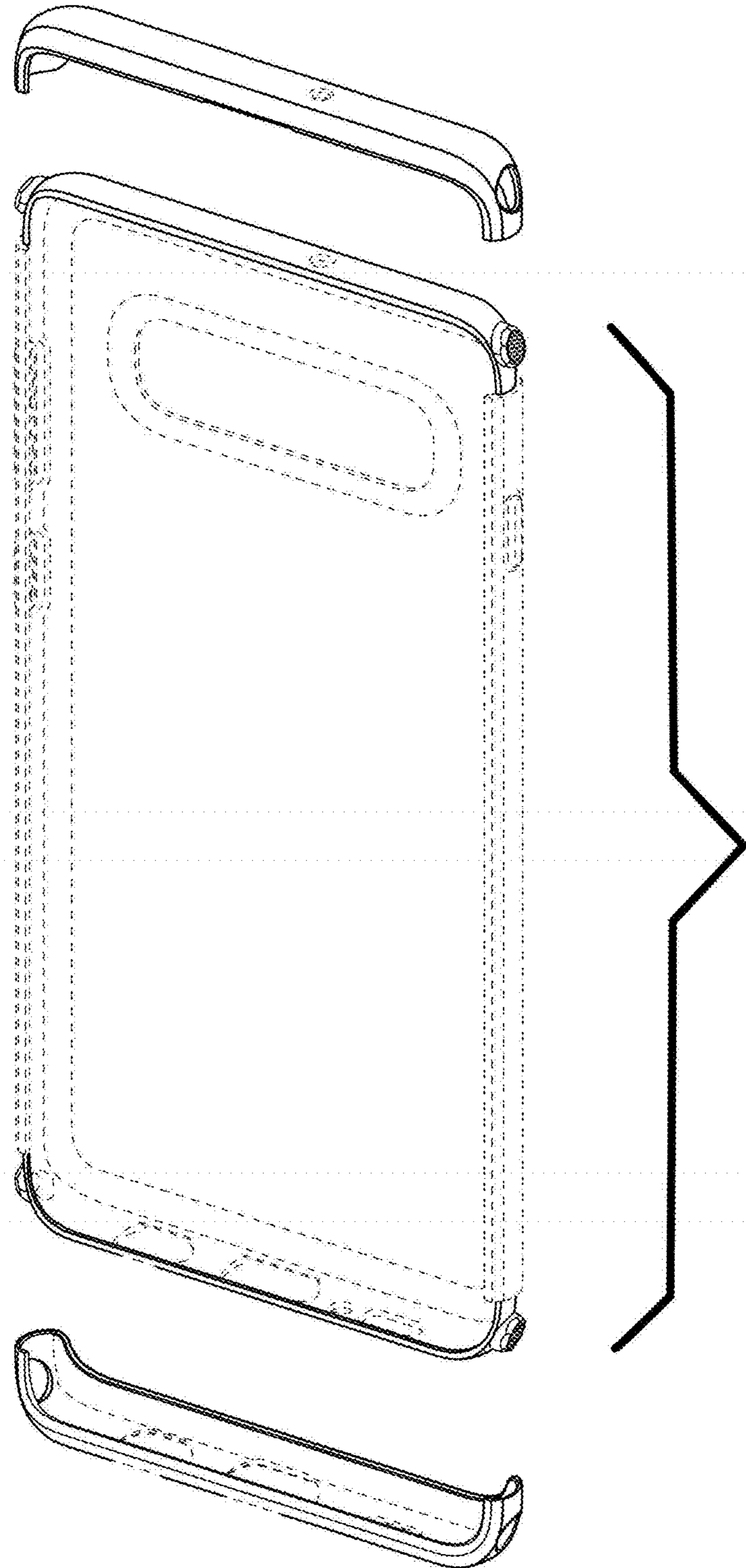


FIG. 17

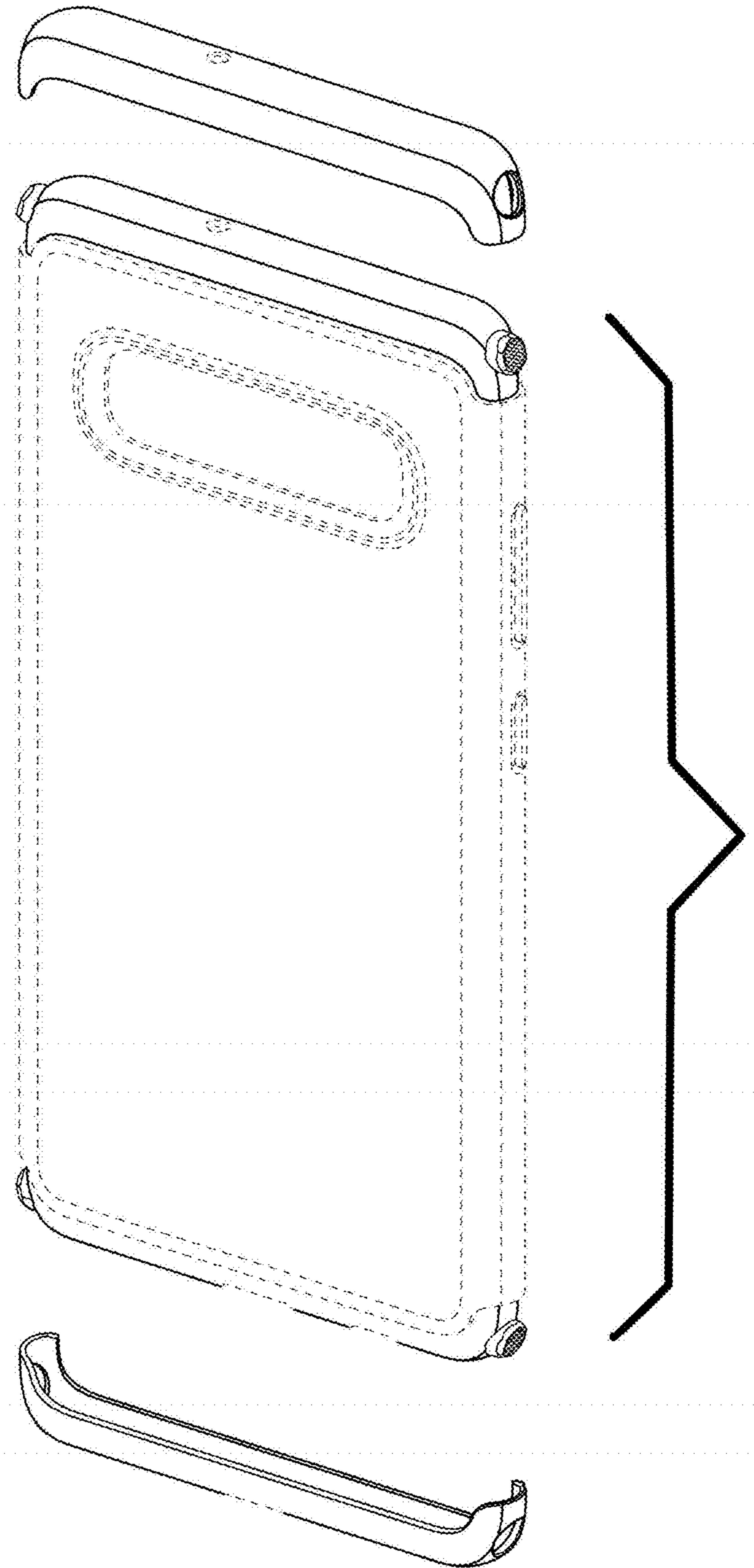


FIG. 18

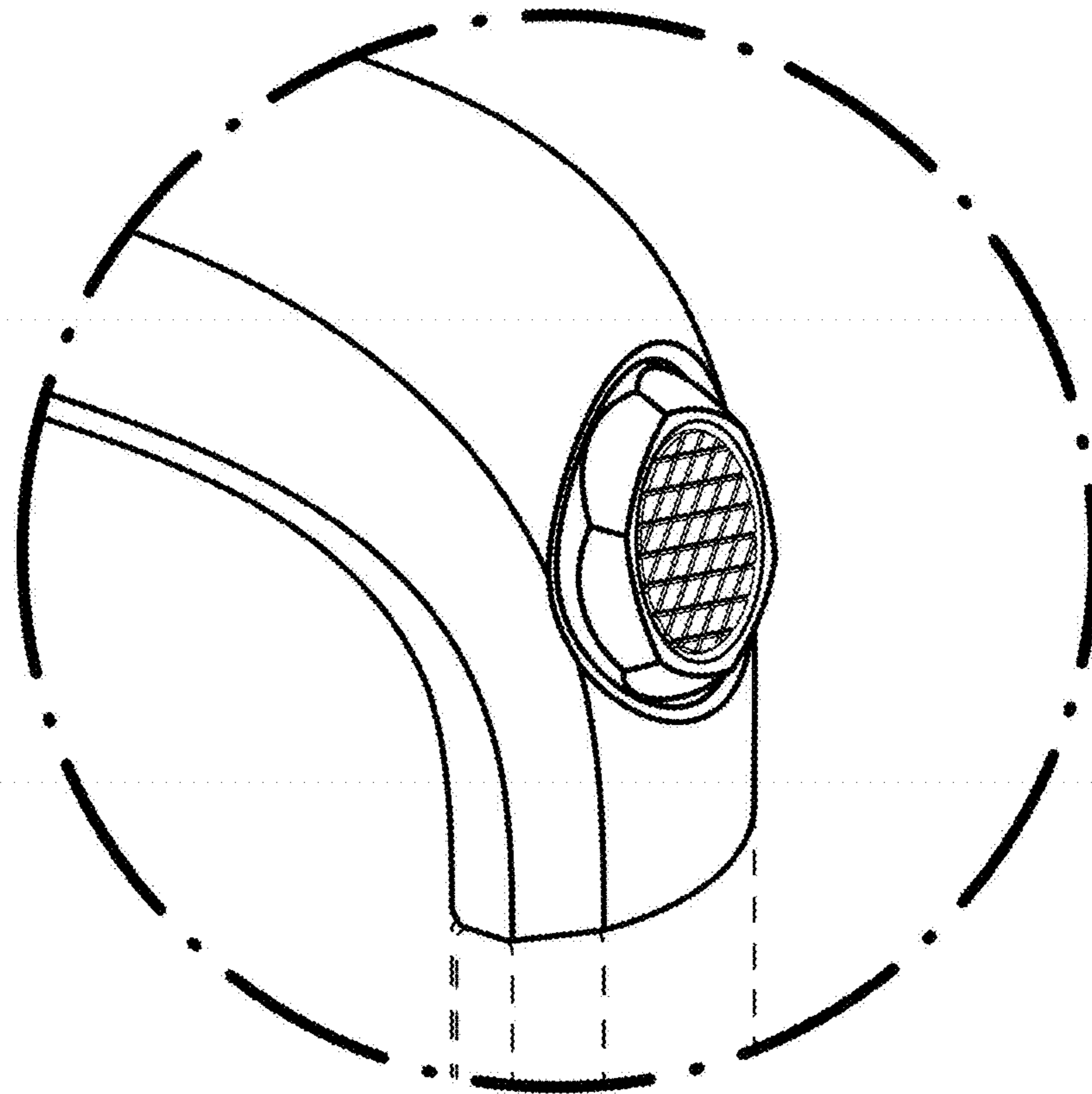


FIG. 19

