



US00D909352S

(12) **United States Design Patent** (10) **Patent No.:** **US D909,352 S**
Howard (45) **Date of Patent:** **** Feb. 2, 2021**

(54) **ANTENNA**
(71) Applicant: **Avery Dennison Retail Information Services, LLC**, Mentor, OH (US)
(72) Inventor: **Norman Howard**, Ilford (GB)
(73) Assignee: **Avery Dennison Retail Information Services, LLC**, Mentor, OH (US)
(**) Term: **15 Years**
(21) Appl. No.: **29/704,091**
(22) Filed: **Aug. 31, 2019**
(51) **LOC (13) Cl.** **14-03**
(52) **U.S. Cl.**
USPC **D14/230**
(58) **Field of Classification Search**
USPC D14/230-238, 299, 358; D13/182
CPC H01Q 1/088; H01Q 3/10; H01Q 21/00;
H04B 7/0608; A61B 2018/1892
See application file for complete search history.

D611,038 S * 3/2010 Deguchi D14/230
D715,781 S * 10/2014 Forster D14/230
D720,729 S * 1/2015 Escaro D14/230
D729,780 S * 5/2015 Koskelainen D14/230
D758,357 S * 6/2016 Man D14/230
D761,235 S * 7/2016 Man D14/230
D779,464 S * 2/2017 Man D14/230
D788,744 S * 6/2017 Forster D14/230
D795,227 S * 8/2017 Chang D14/230
D799,455 S * 10/2017 Forster D14/230
D801,319 S * 10/2017 Forster D14/230
D809,488 S * 2/2018 Forster D14/230
D821,366 S * 6/2018 Forster D14/230
D857,674 S * 8/2019 Man D14/230
D874,448 S * 2/2020 Forster D14/230
D875,721 S * 2/2020 Forster D14/230
2014/0320367 A1 * 10/2014 Alkhateeb H01Q 1/38
343/804

* cited by examiner

Primary Examiner — John Windmuller

(57) **CLAIM**

The ornamental design for an antenna, as shown and described.

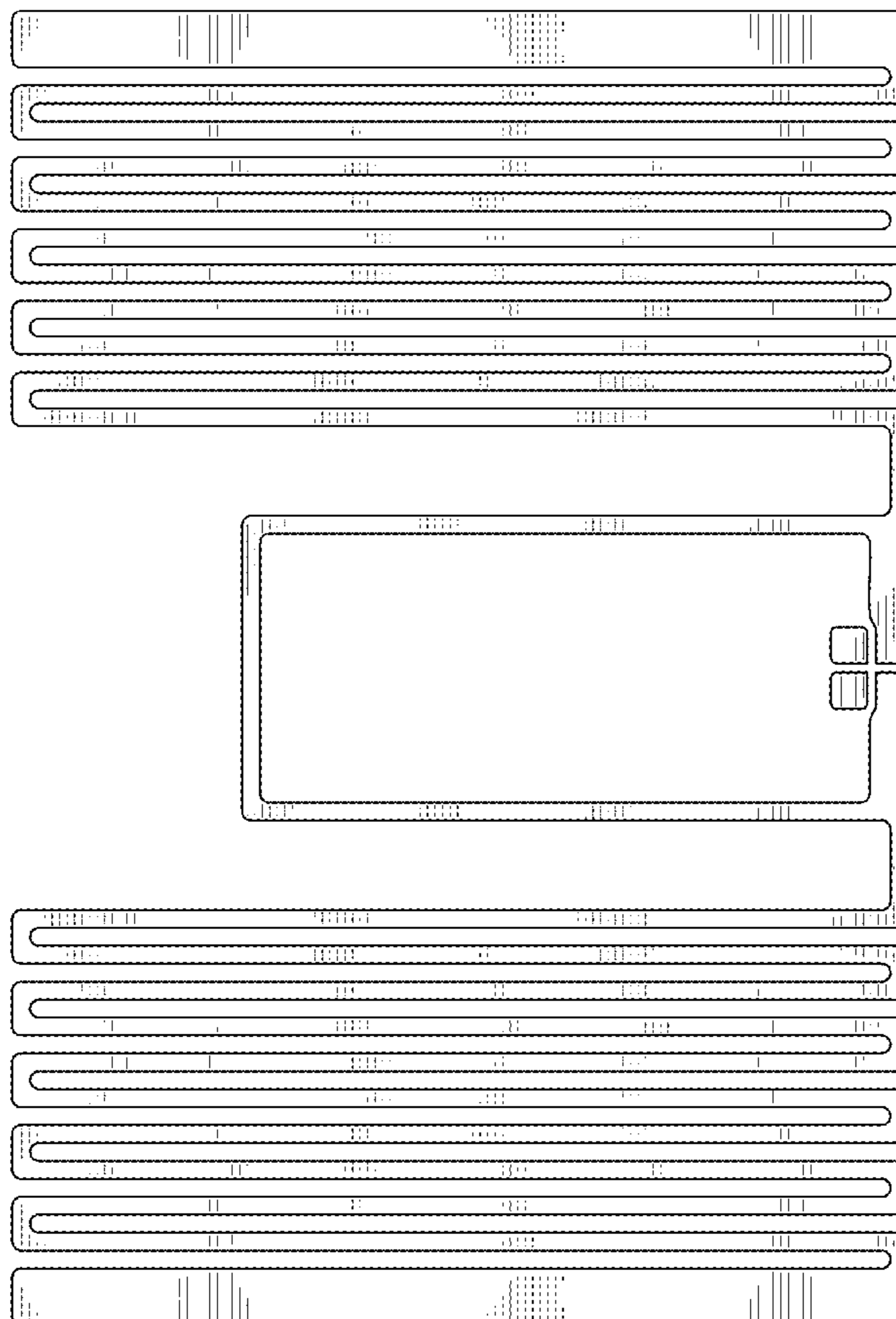
DESCRIPTION

FIG. 1 is an isometric view of an antenna, showing my design; and,
FIG. 2 is a top view thereof.

(56) **References Cited**
U.S. PATENT DOCUMENTS

D588,116 S * 3/2009 Martinez D14/230
D602,010 S * 10/2009 Yakubo D14/230

1 Claim, 2 Drawing Sheets



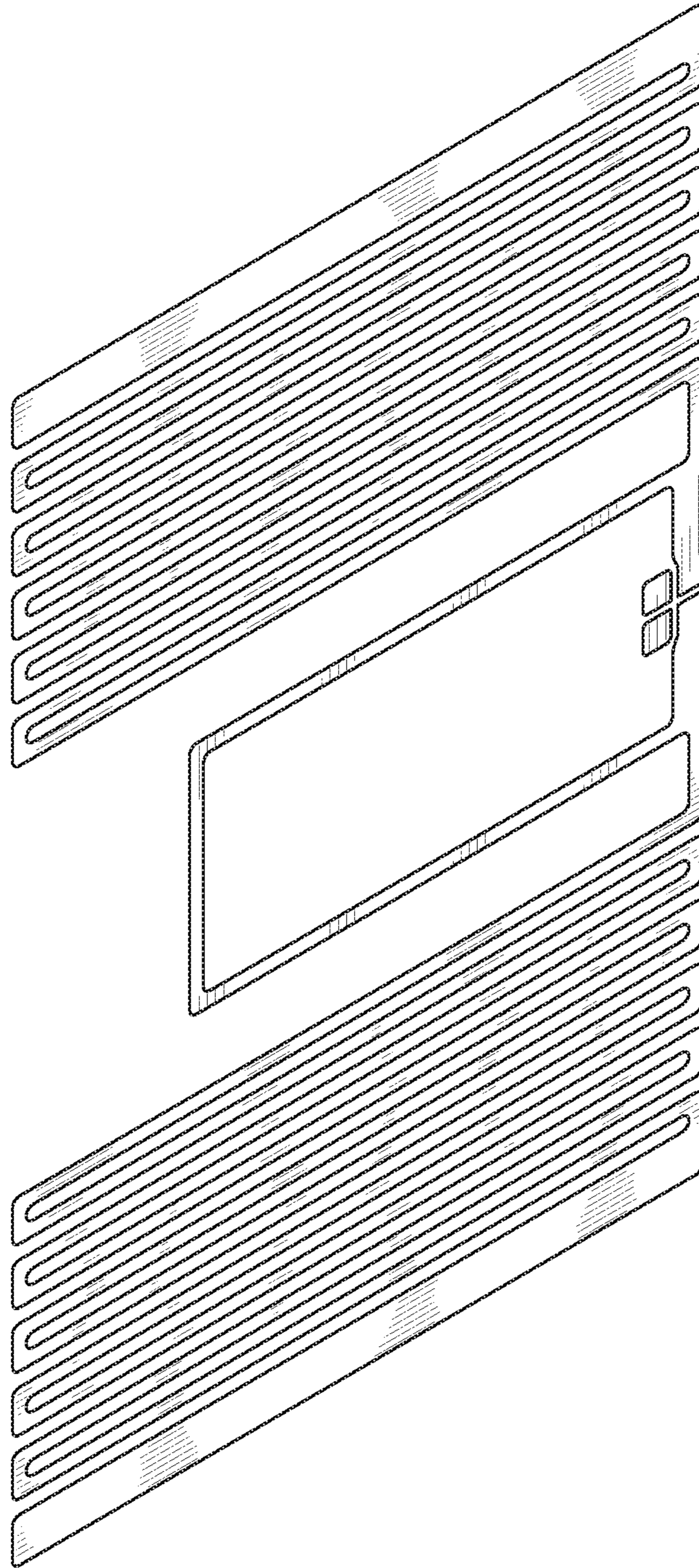


FIG. 1

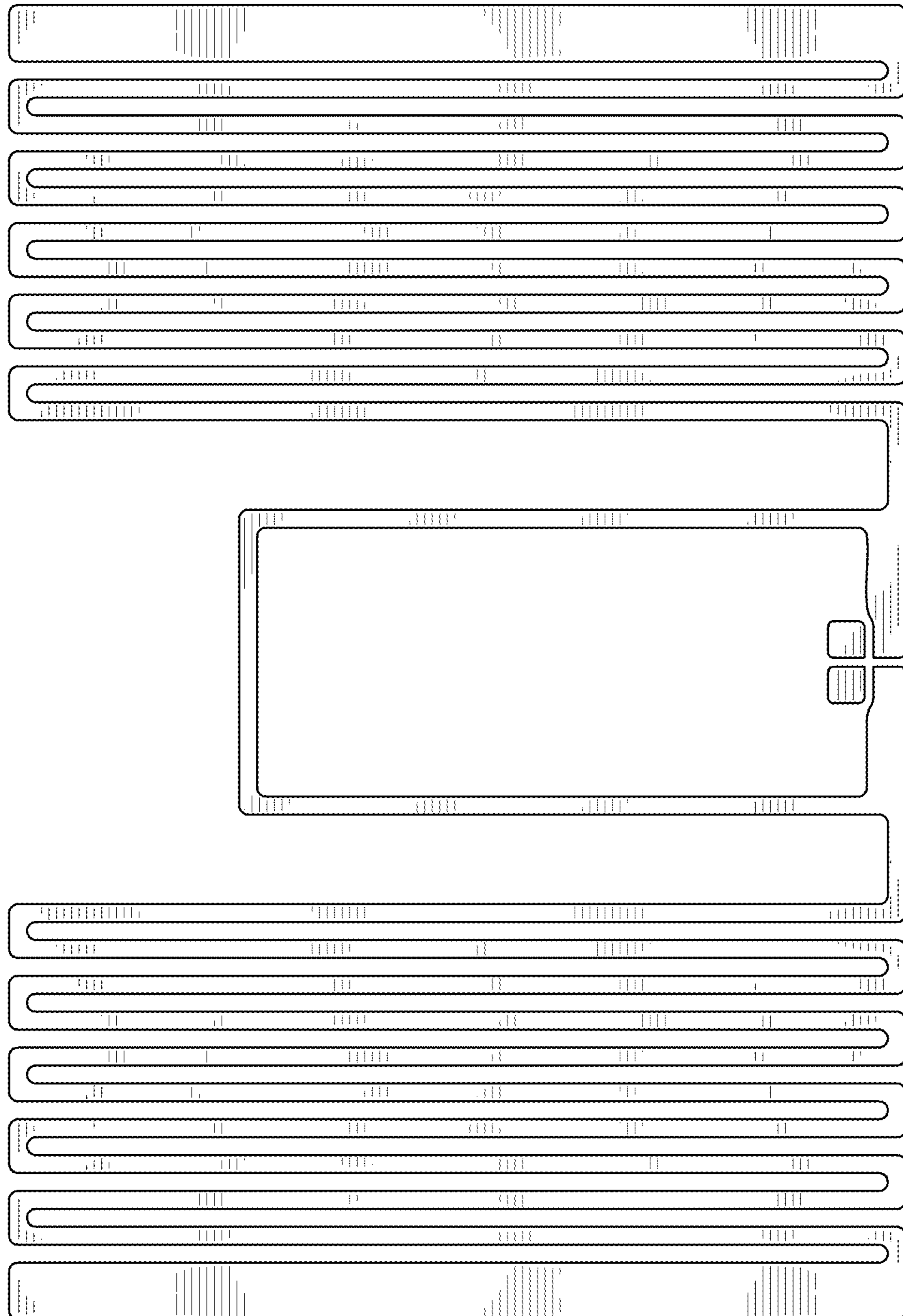


FIG. 2