



US00D909351S

(12) **United States Design Patent** (10) **Patent No.:** **US D909,351 S**  
**Zhou** (45) **Date of Patent:** **\*\* Feb. 2, 2021**

(54) **TV ANTENNA**  
(71) Applicant: **Zhicheng Zhou**, Shenzhen (CN)  
(72) Inventor: **Zhicheng Zhou**, Shenzhen (CN)  
(\*\*) Term: **15 Years**  
(21) Appl. No.: **29/702,512**  
(22) Filed: **Aug. 20, 2019**  
(51) **LOC (13) Cl.** ..... **14-03**  
(52) **U.S. Cl.**  
USPC ..... **D14/230**  
(58) **Field of Classification Search**  
USPC ..... D14/138, 230-238, 299, 358; D12/42, D12/43  
CPC ..... H01Q 7/00; H01Q 13/10; H01Q 9/285; H01Q 19/30; H01Q 19/12; H01Q 1/38; H01Q 1/36; H04B 1/0475; H04B 1/034; H05K 11/00  
See application file for complete search history.

D546,323 S \* 7/2007 Van Buren ..... D14/230  
D590,379 S \* 4/2009 Deguchi ..... D14/230  
D606,057 S \* 12/2009 Oliver ..... D14/230  
D612,370 S \* 3/2010 Suleiman ..... D14/234  
D623,175 S \* 9/2010 Suleiman ..... D14/230  
8,054,237 B2 \* 11/2011 Suleiman ..... H01Q 19/30  
343/808  
D665,385 S \* 8/2012 Conrad ..... D14/230  
D806,689 S \* 1/2018 Deng ..... D14/234  
D842,281 S \* 3/2019 Taeger ..... D14/230  
D886,808 S \* 6/2020 Yang ..... D14/230

\* cited by examiner

*Primary Examiner* — John Windmuller  
(74) *Attorney, Agent, or Firm* — Xuan Zhang

(57) **CLAIM**

The ornamental design for a TV antenna, as shown and described.

**DESCRIPTION**

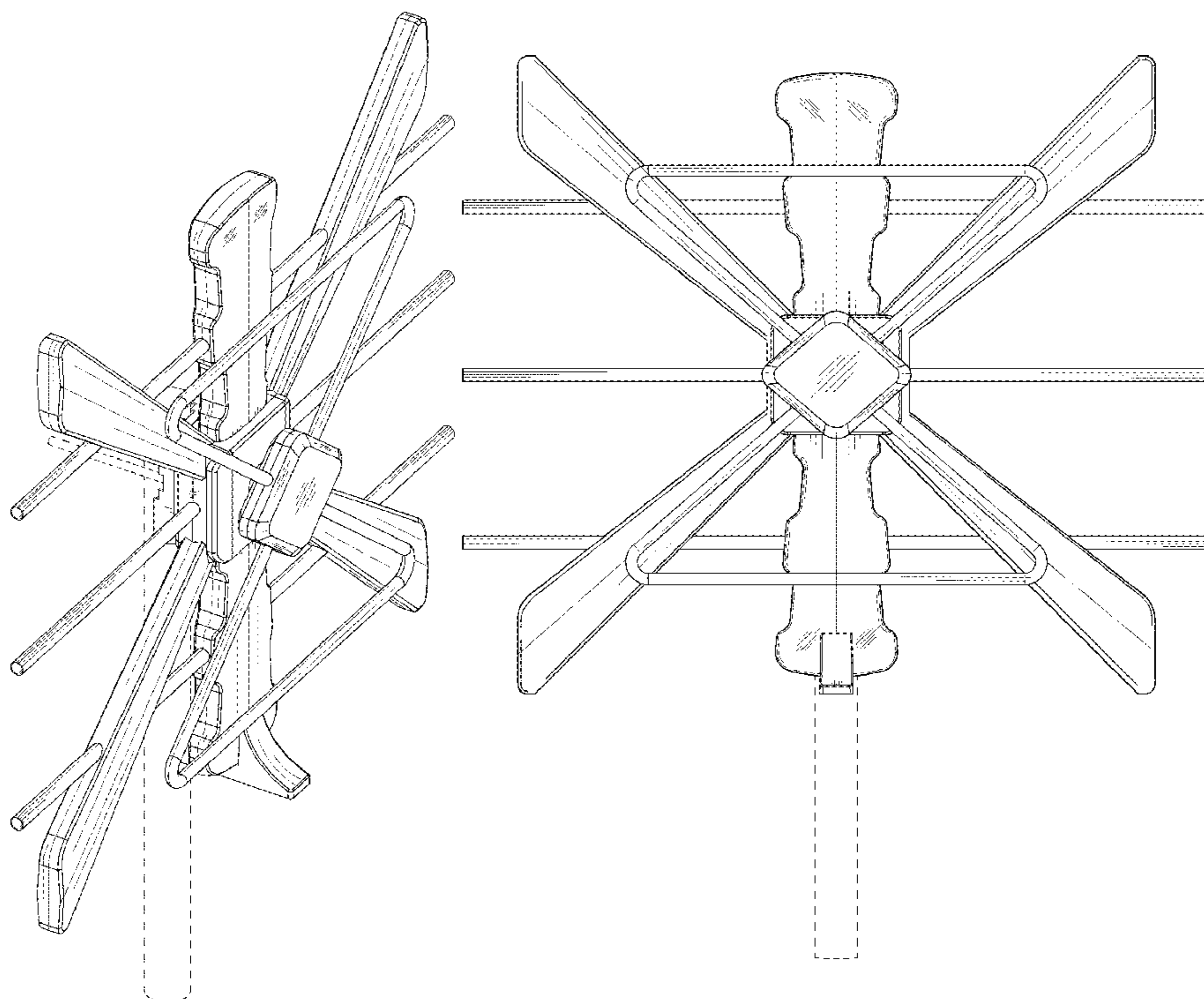
FIG. 1 is a front perspective view a TV antenna showing my new design;  
FIG. 2 is a rear perspective view thereof;  
FIG. 3 is a front elevation view thereof;  
FIG. 4 is a rear elevation view thereof;  
FIG. 5 is a top elevation view thereof;  
FIG. 6 is a bottom elevation view thereof;  
FIG. 7 is a left side elevation view thereof; and,  
FIG. 8 is a right side elevation view thereof.  
The broken lines in the figures depict portions of the TV antenna that form no part of the claimed design.

**1 Claim, 8 Drawing Sheets**

(56) **References Cited**

**U.S. PATENT DOCUMENTS**

2,666,138 A \* 1/1954 Ehrbar ..... H01Q 5/48  
343/727  
D202,709 S \* 11/1965 Auburn ..... D14/235  
D211,179 S \* 5/1968 Rosenberry et al. .... D14/234  
6,323,821 B1 \* 11/2001 McLean ..... H01Q 1/36  
343/752  
D480,387 S \* 10/2003 Burns ..... H01Q 9/28  
D14/230  
D501,466 S \* 2/2005 Charlot, Jr. .... D14/235  
D520,499 S \* 5/2006 Nagatomi ..... D14/233



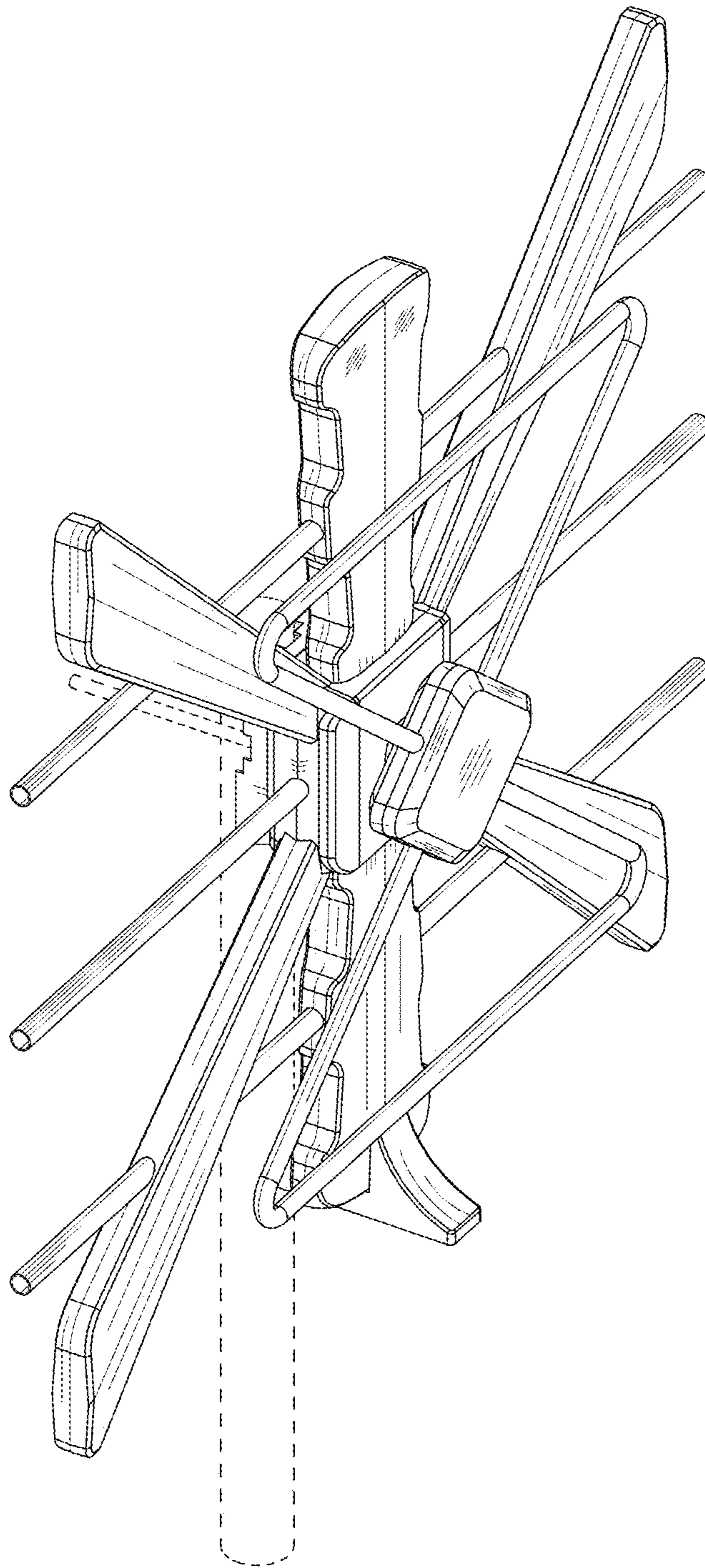


FIG. 1

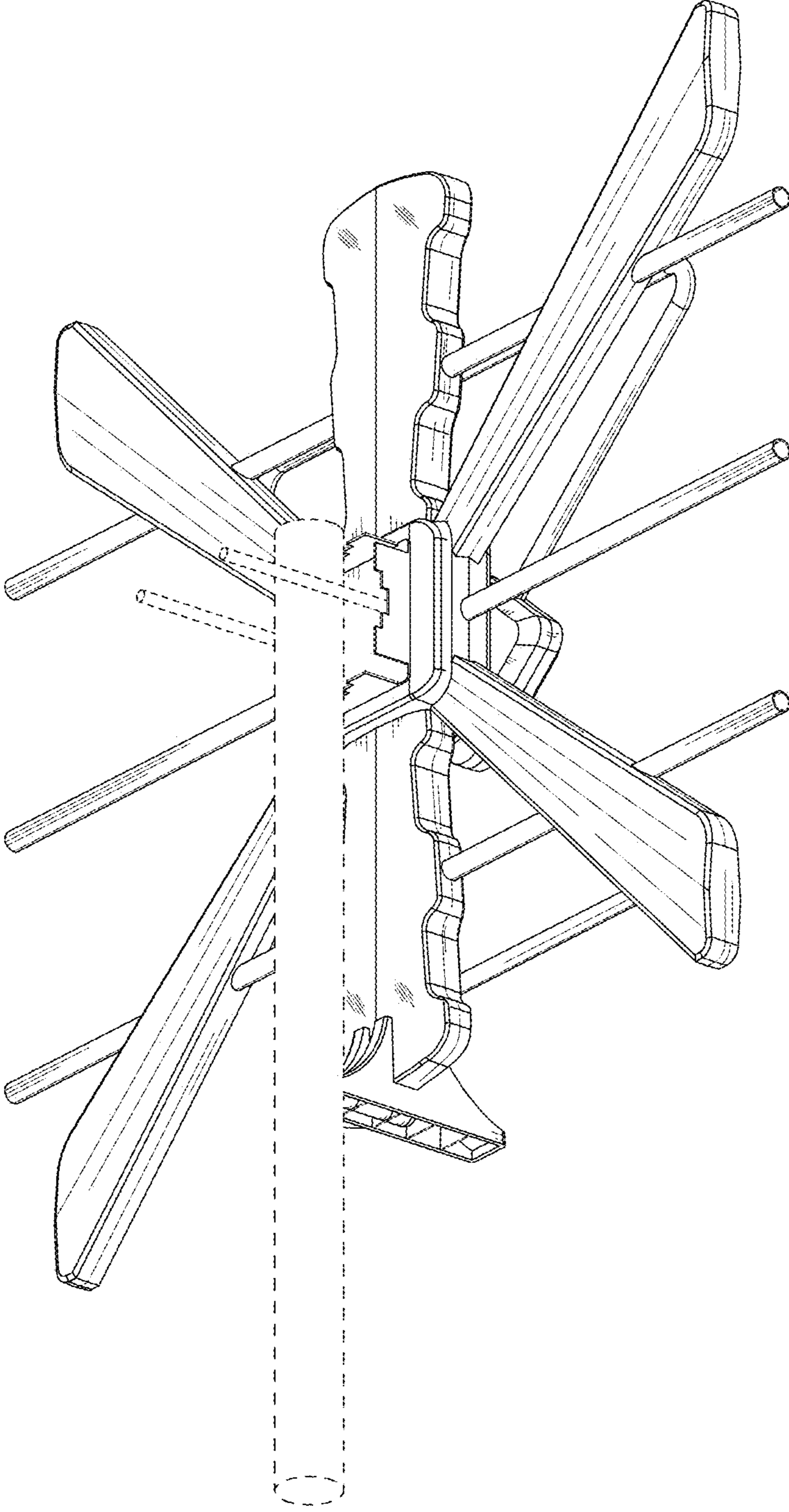


FIG. 2

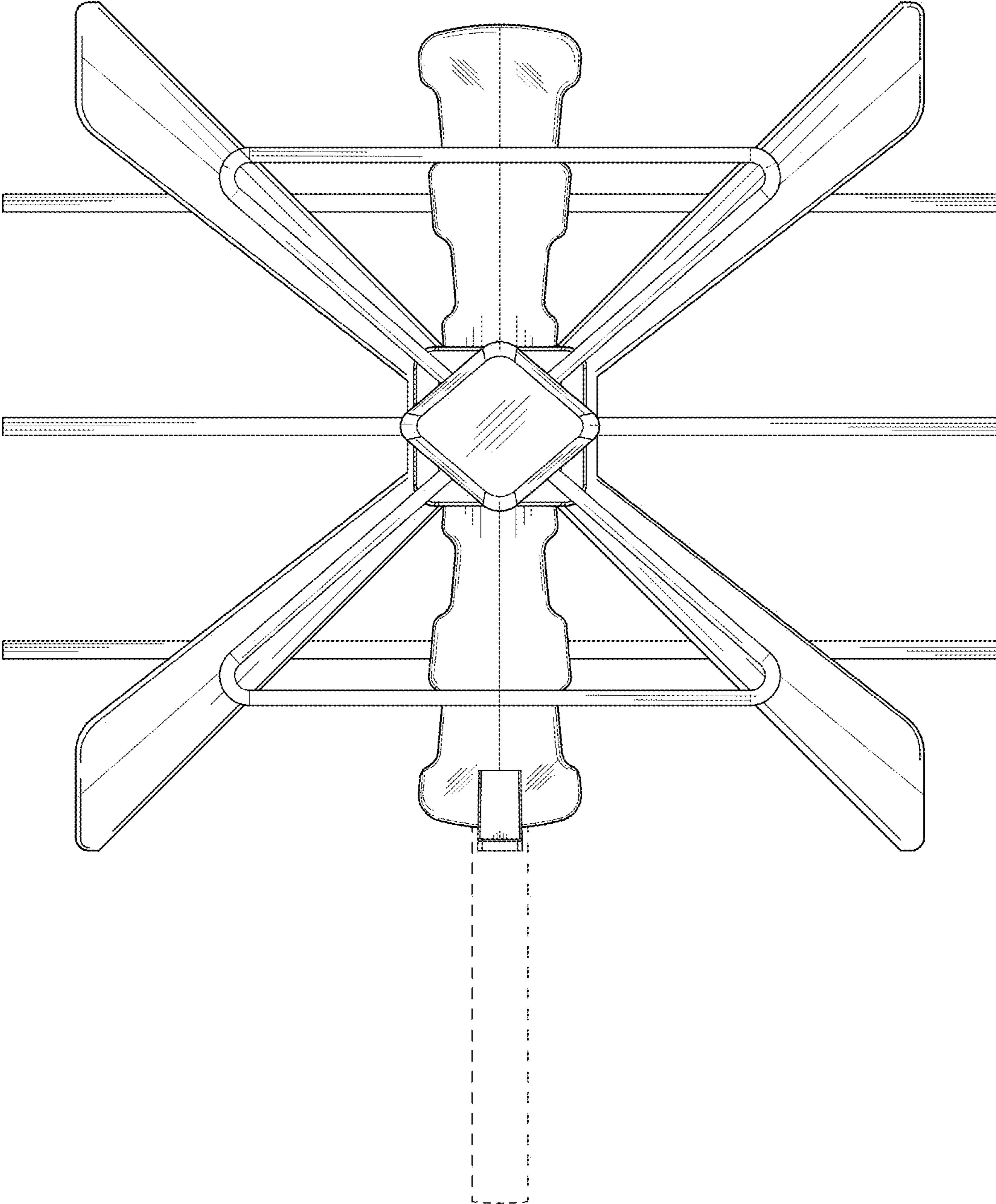


FIG. 3

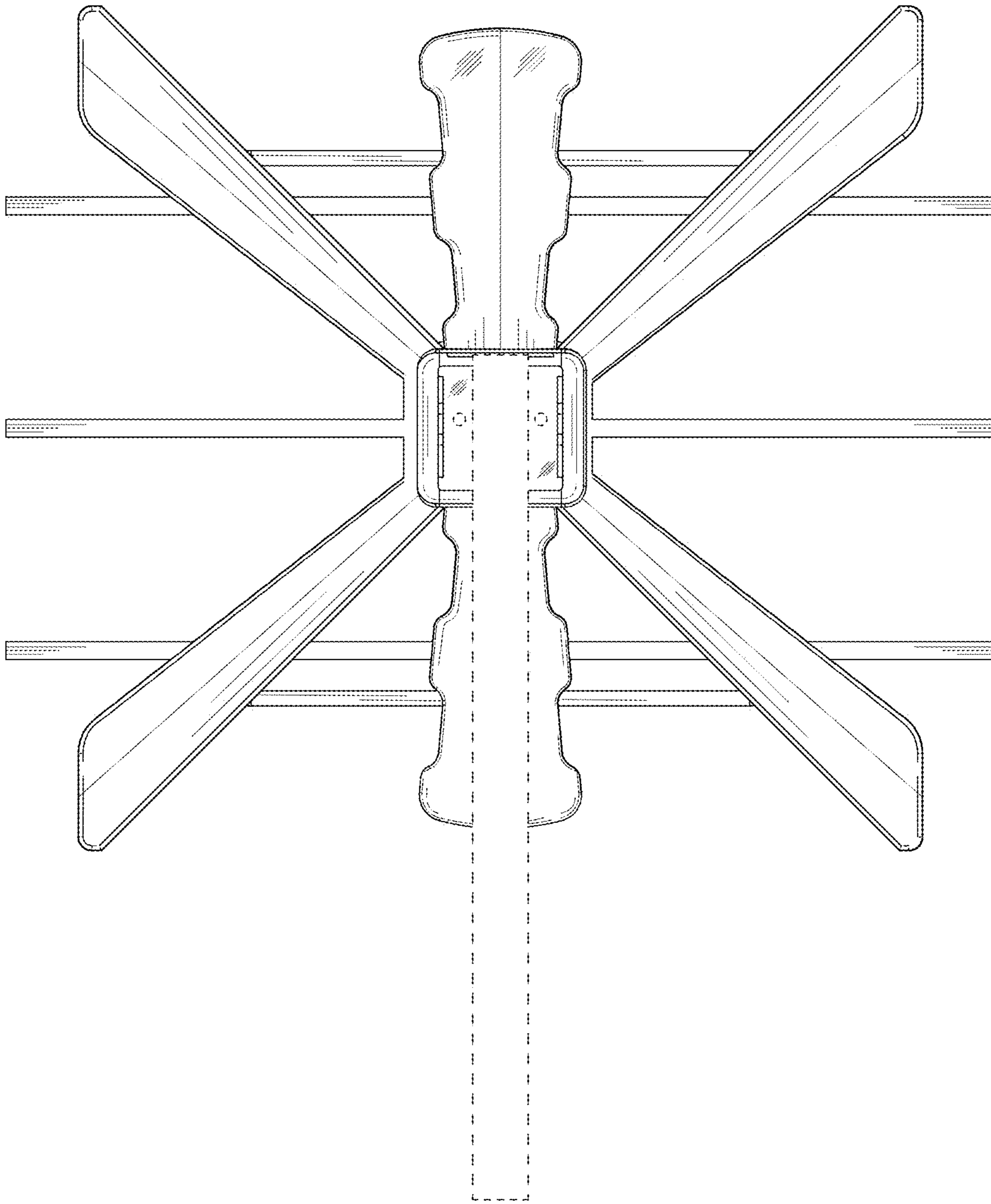


FIG. 4

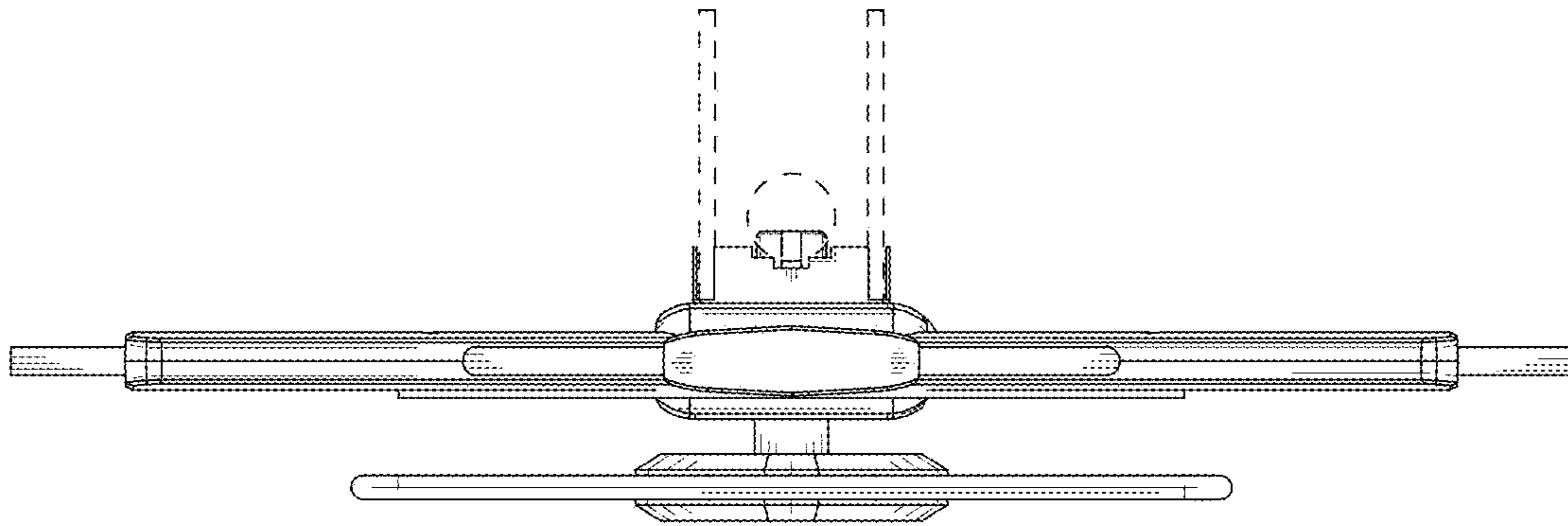


FIG. 5

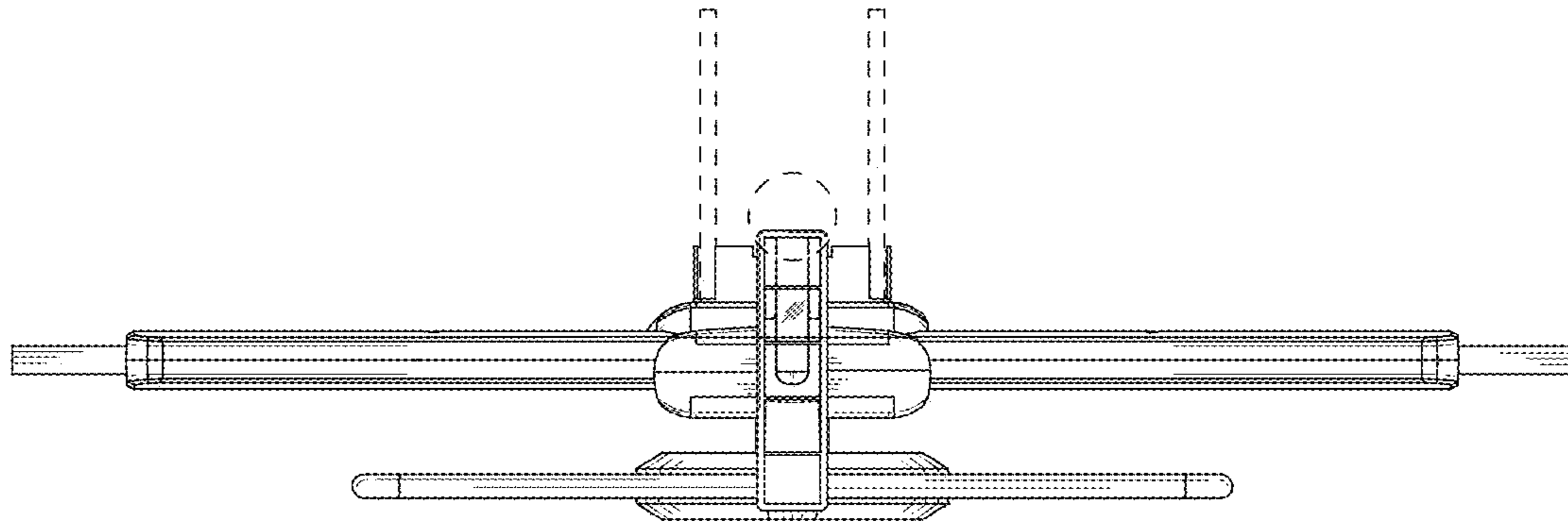


FIG. 6

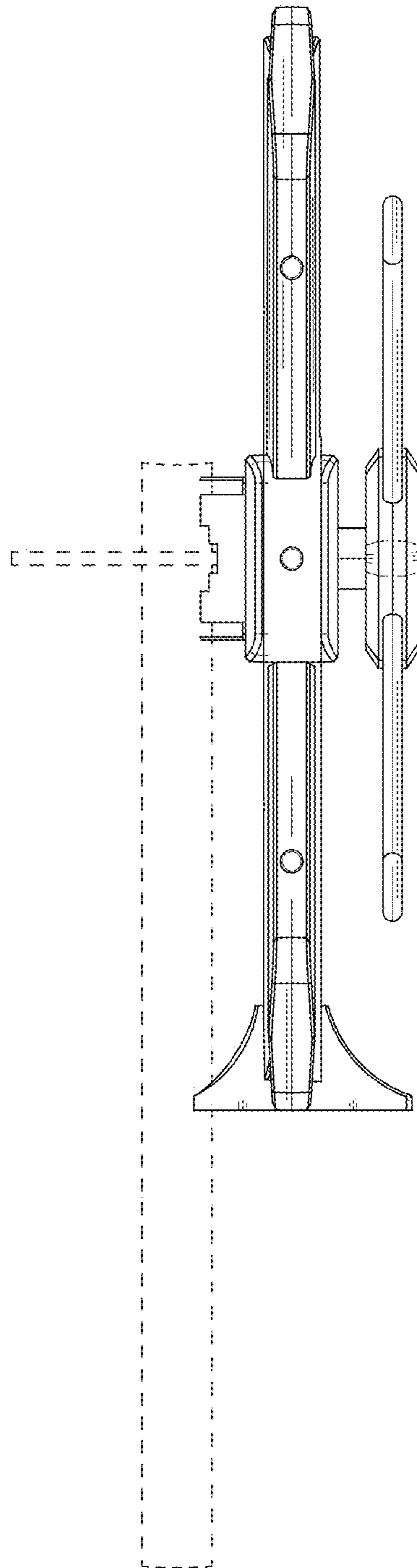


FIG. 7



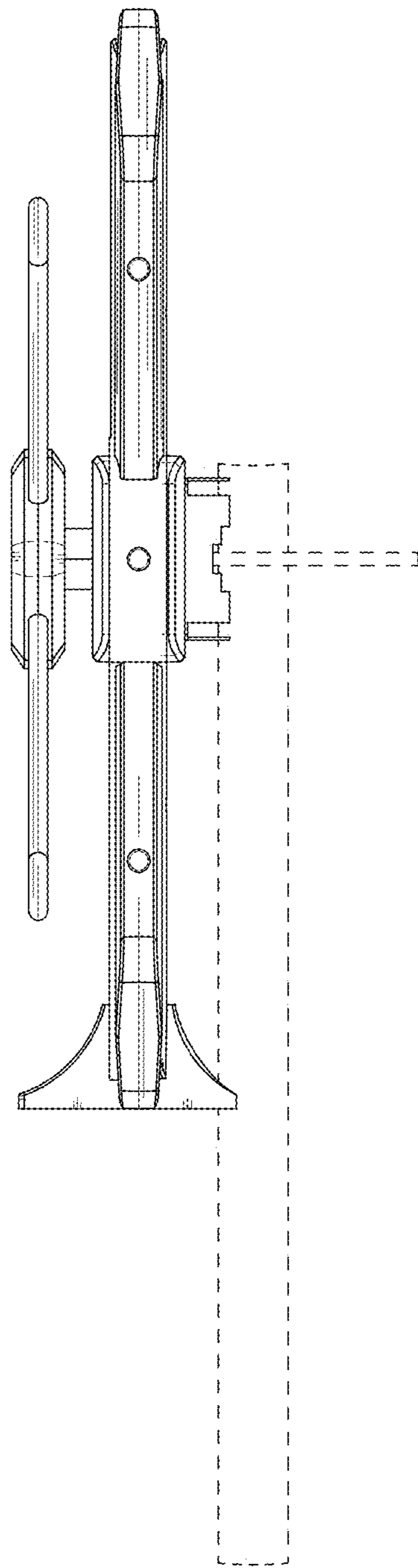


FIG. 8