



US00D909350S

(12) **United States Design Patent**
Zhou

(10) **Patent No.:** **US D909,350 S**

(45) **Date of Patent:** **** Feb. 2, 2021**

(54) **TV ANTENNA**

(71) Applicant: **Zhicheng Zhou**, Shenzhen (CN)

(72) Inventor: **Zhicheng Zhou**, Shenzhen (CN)

(**) Term: **15 Years**

(21) Appl. No.: **29/701,336**

(22) Filed: **Aug. 9, 2019**

(51) **LOC (13) Cl.** **14-03**

(52) **U.S. Cl.**
USPC **D14/230**

(58) **Field of Classification Search**
USPC D14/138, 230–238, 299, 358; D12/42,
D12/43
CPC H01Q 7/00; H01Q 13/10; H01Q 9/285;
H01Q 19/30; H01Q 19/12; H01Q 1/38;
H01Q 1/36; H01Q 2/0027; H01Q 1/48;
H01Q 9/045; H01Q 1/243; H04B 1/0475;
H04B 1/034; H05K 11/00
See application file for complete search history.

(56) **References Cited**

U.S. PATENT DOCUMENTS

4,634,975 A * 1/1987 Eccleston G01V 3/107
324/232
D831,622 S * 10/2018 Yang D14/230

D849,722 S * 5/2019 Yang D14/230
D872,714 S * 1/2020 Yang D14/230
D896,791 S * 9/2020 Yang D14/230
D896,796 S * 9/2020 Yang D14/230
D896,799 S * 9/2020 Yang D14/230
2002/0050954 A1* 5/2002 Jeong-Kun H01Q 7/00
343/770

* cited by examiner

Primary Examiner — John Windmuller

(74) *Attorney, Agent, or Firm* — Xuan Zhang

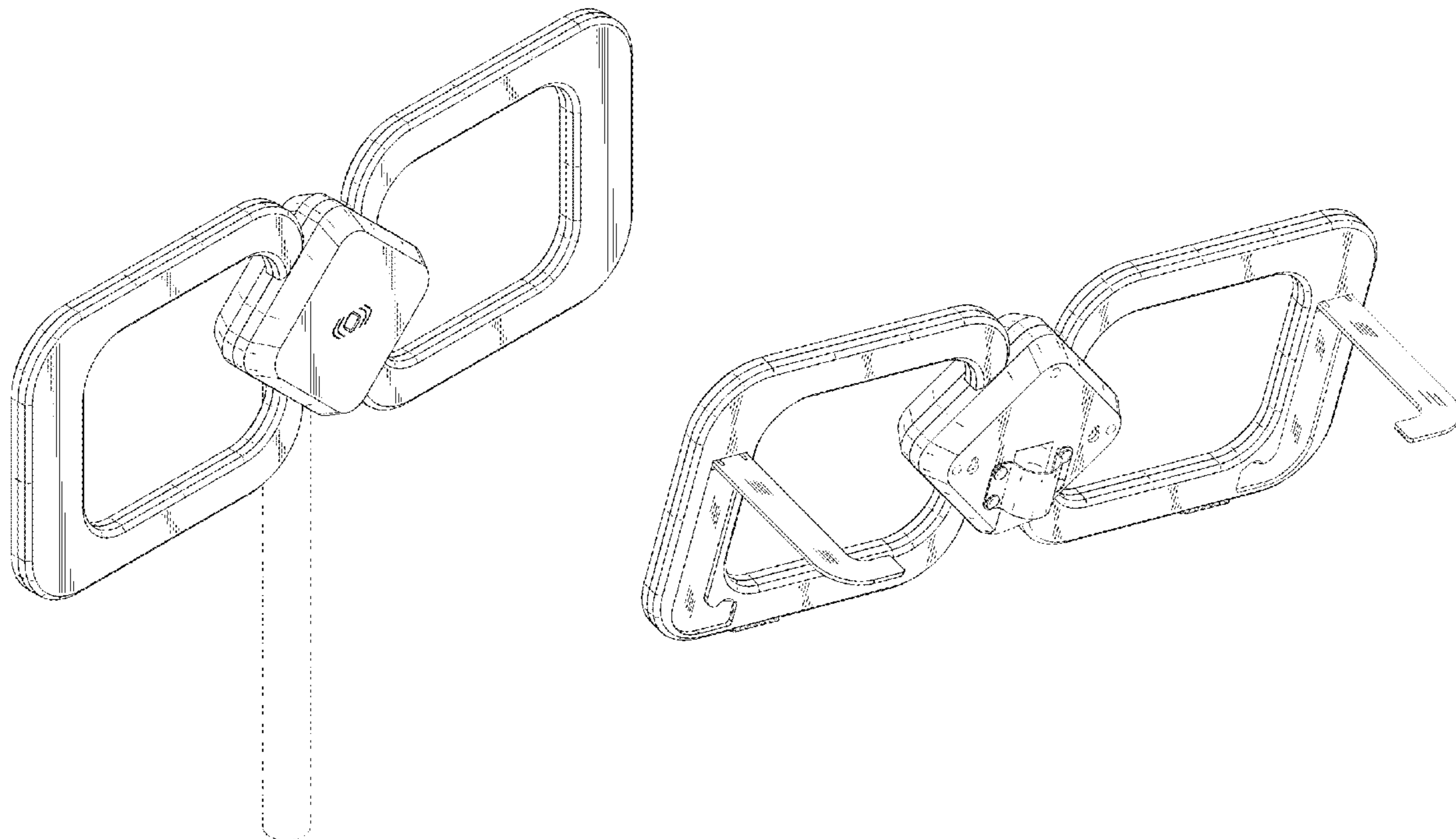
(57) **CLAIM**

The ornamental design for a TV antenna, as shown and described.

DESCRIPTION

FIG. 1 is a front perspective view a TV antenna showing my new design;
FIG. 2 is a front elevation view thereof;
FIG. 3 is a rear elevation view thereof;
FIG. 4 is a left side elevation view thereof;
FIG. 5 is a right side elevation view thereof;
FIG. 6 is a top elevation view thereof;
FIG. 7 is a bottom elevation view thereof;
FIG. 8 is a rear perspective view thereof; and,
FIG. 9 is a rear perspective view thereof with the stand in an open position.
The broken lines in the figures depict portions of the TV antenna that form no part of the claimed design.

1 Claim, 9 Drawing Sheets



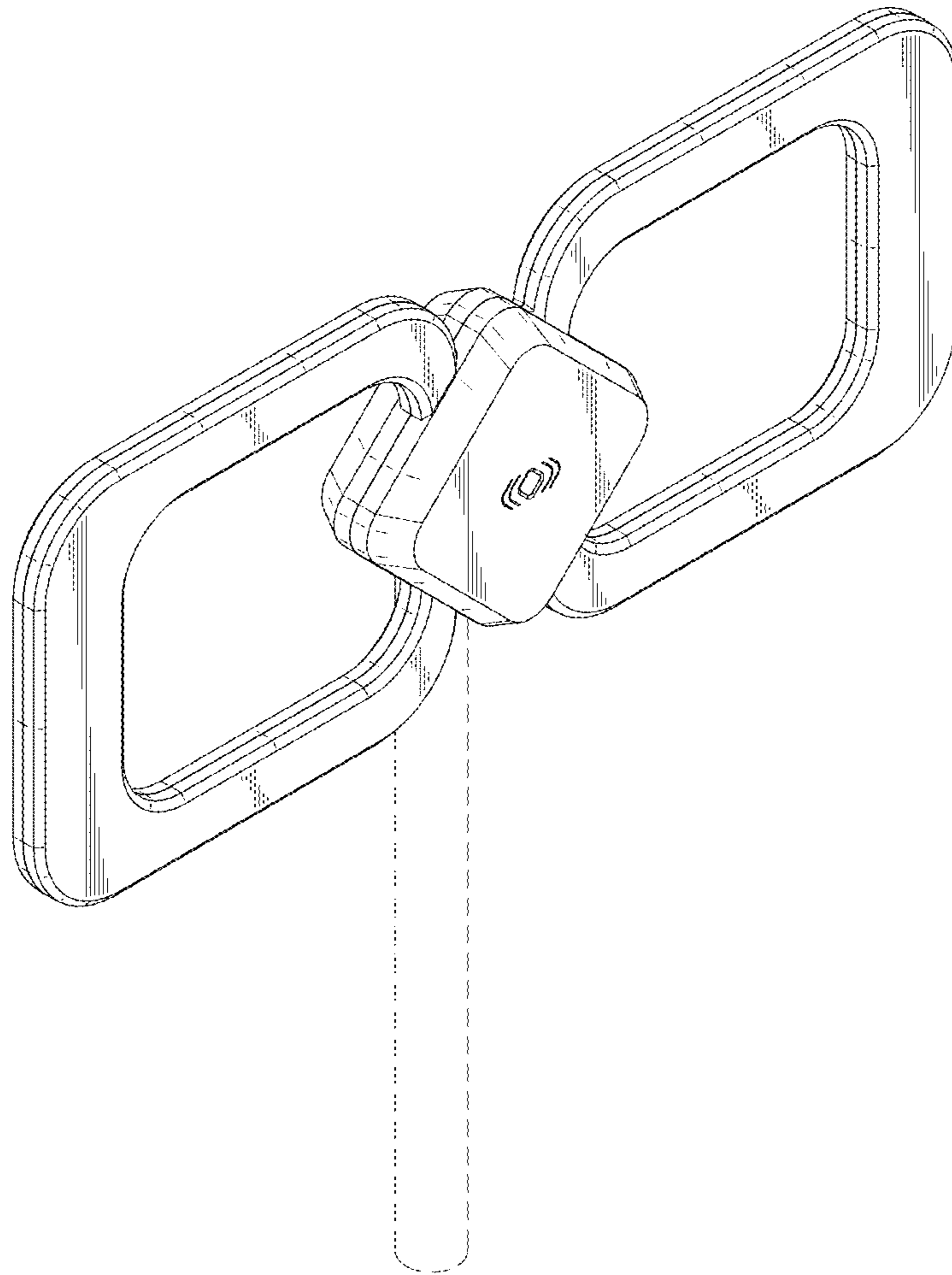


FIG. 1

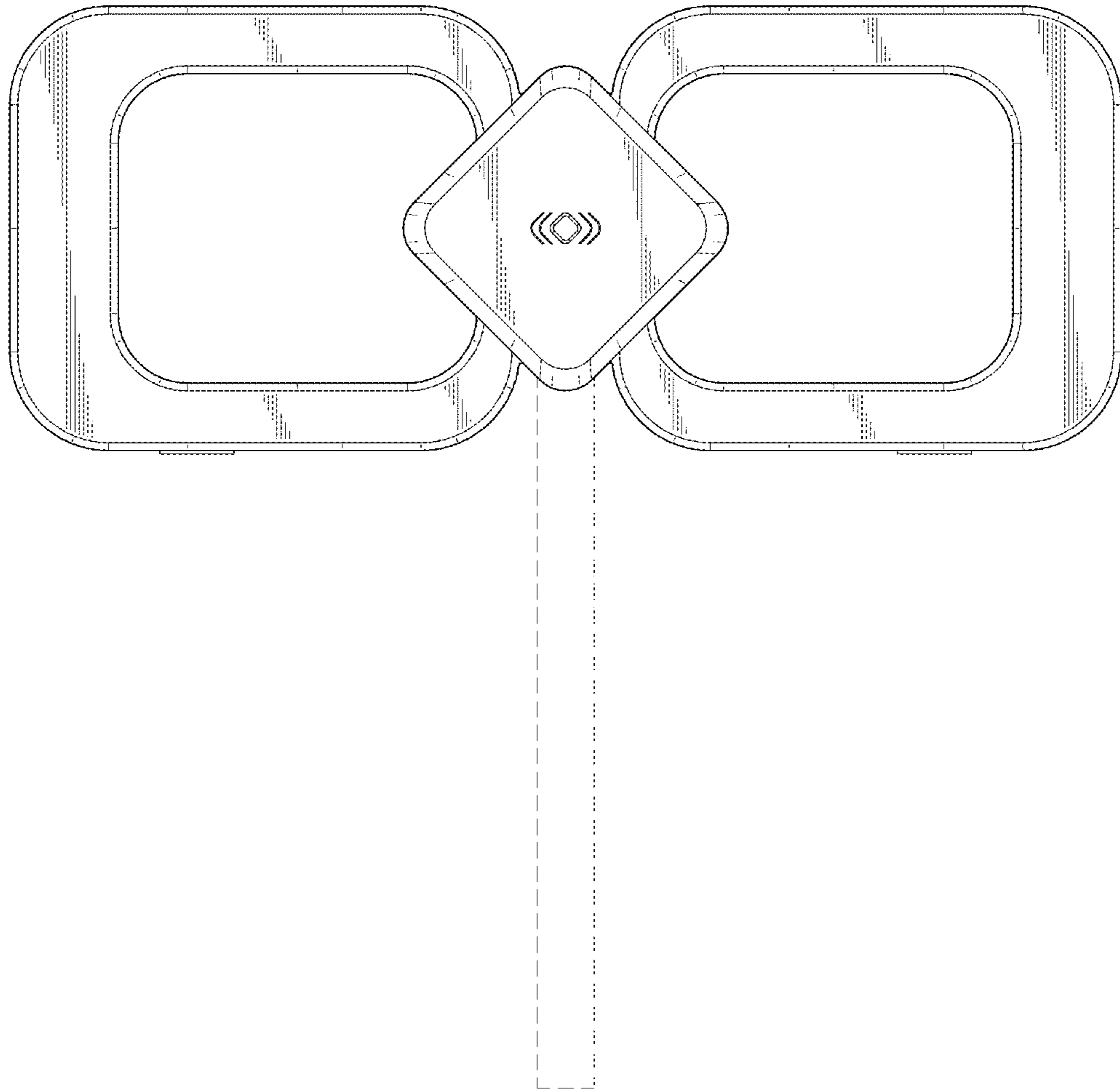


FIG.2

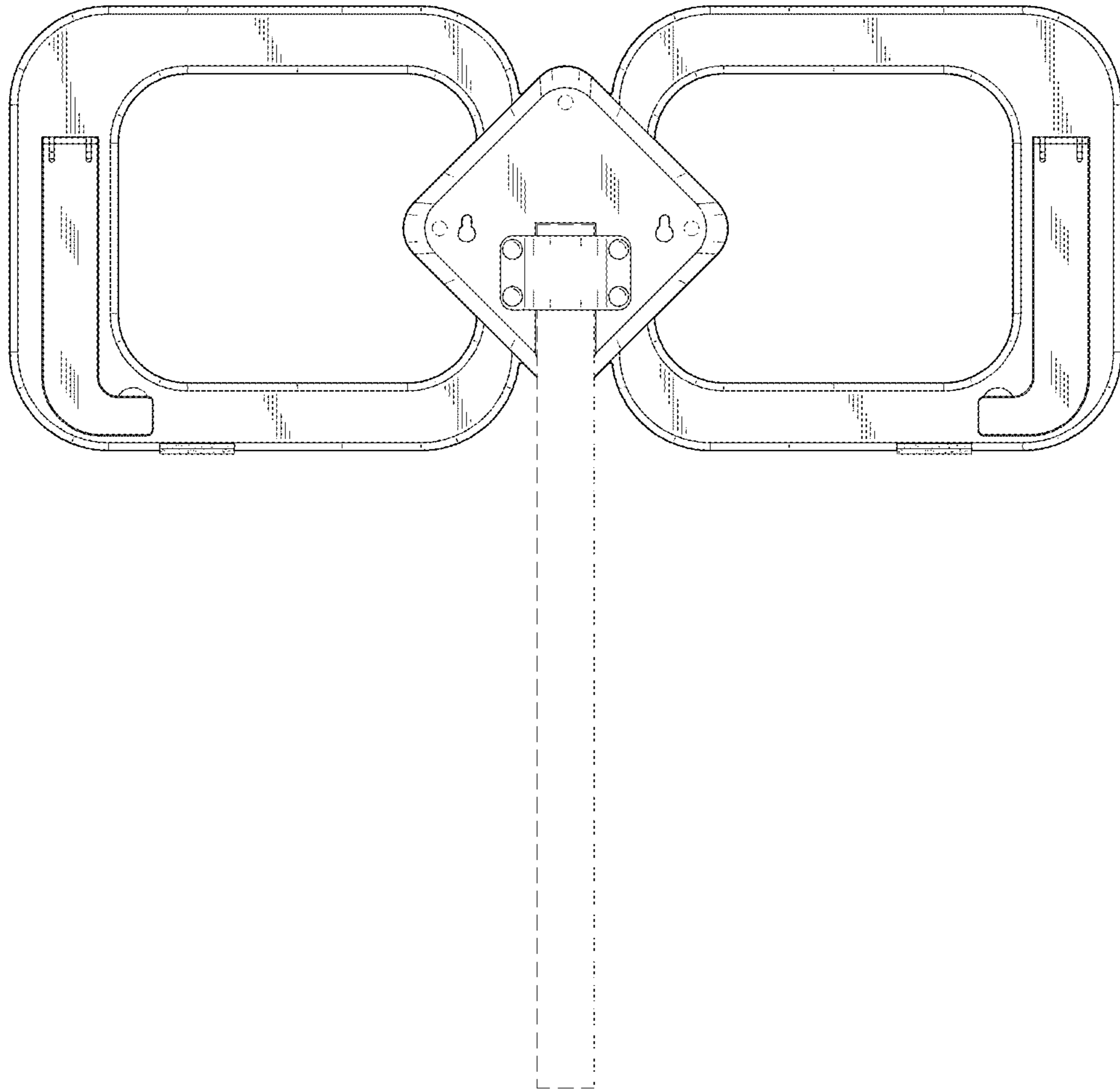


FIG. 3



FIG. 4

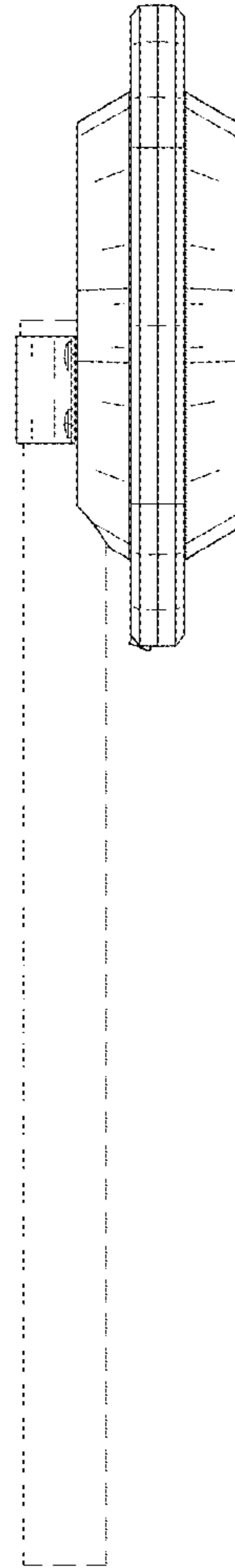


FIG. 5

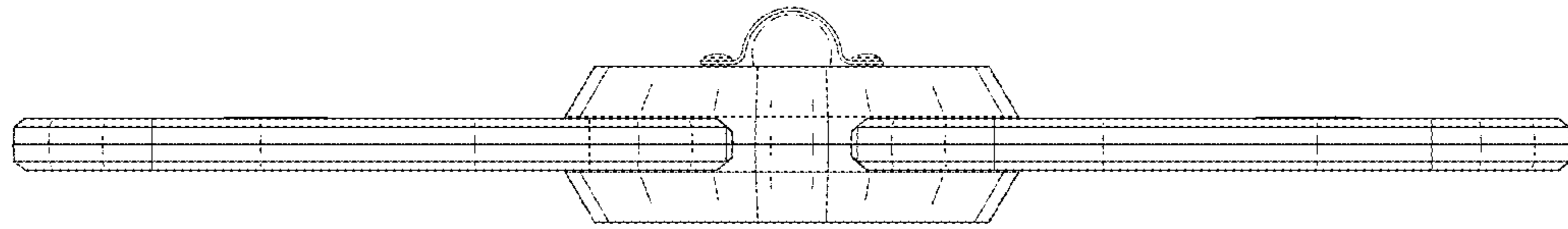


FIG. 6

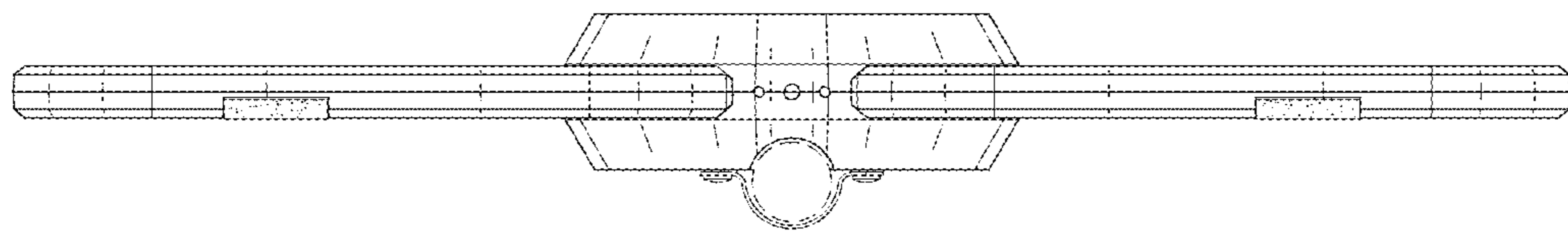


FIG. 7

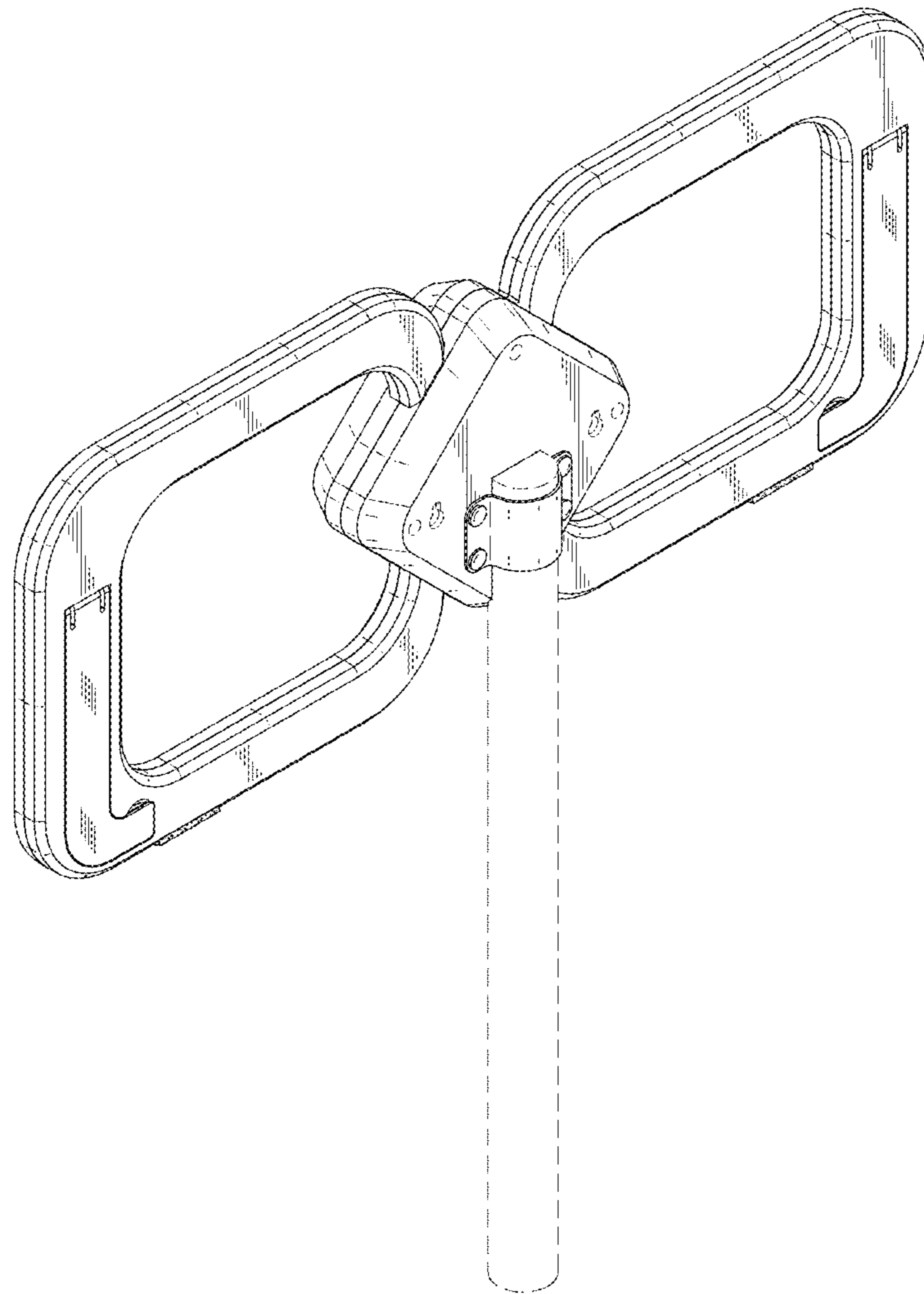


FIG. 8

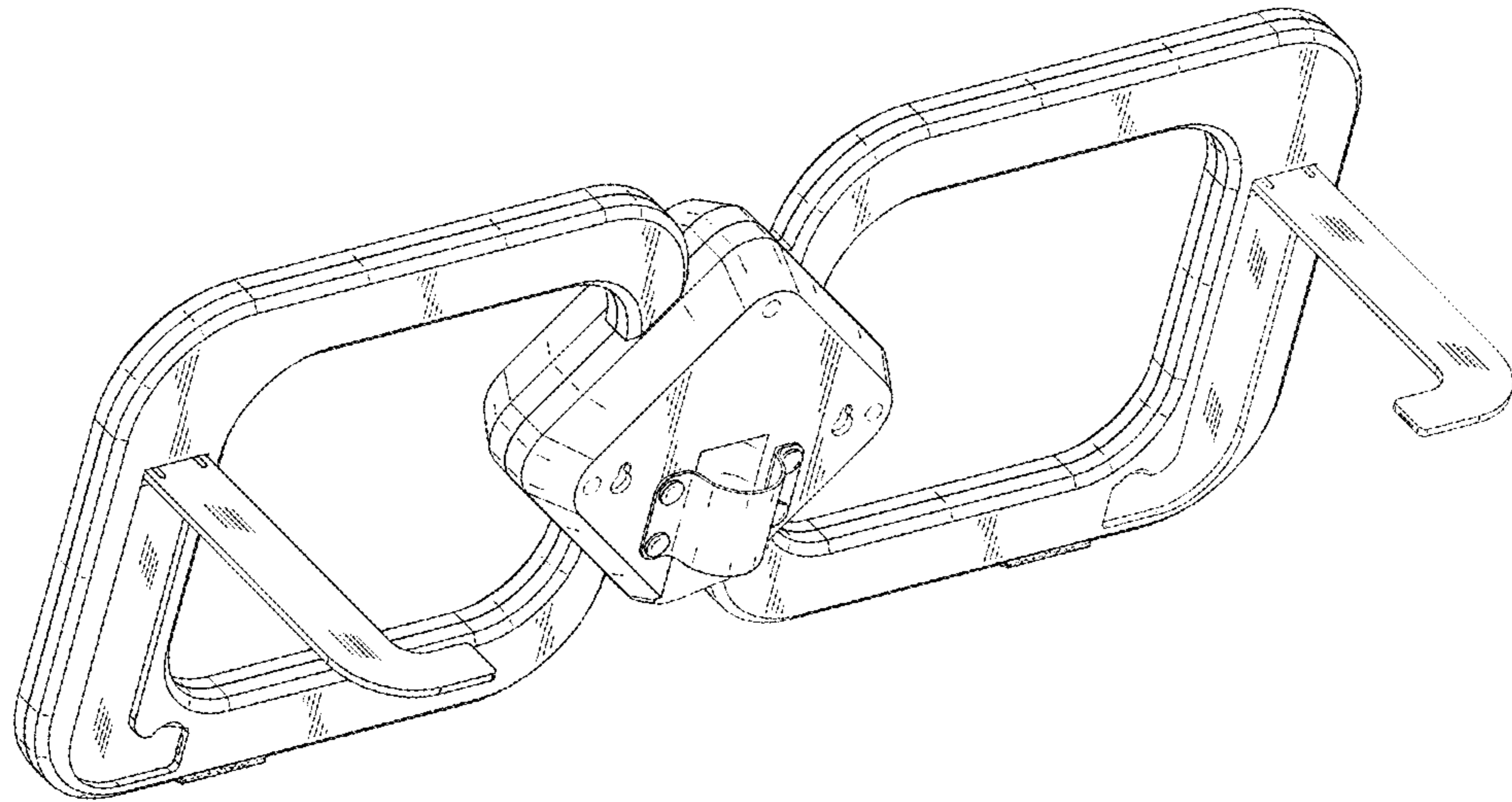


FIG. 9