



US00D909349S

(12) **United States Design Patent** (10) **Patent No.:** **US D909,349 S**
Kentley-Klay et al. (45) **Date of Patent:** **** Feb. 2, 2021**

(54) **VEHICLE ANTENNA**
(71) Applicant: **Zoox, Inc.**, Foster City, CA (US)
(72) Inventors: **Timothy David Kentley-Klay**, Stanford, CA (US); **Nahuel Elias Battaglia**, Stanford, CA (US); **Herman Francisco Delos Santos**, Redwood City, CA (US); **Richard Luke Osellame**, Redwood City, CA (US); **Christopher John Stoffel**, San Carlos, CA (US)
(73) Assignee: **Zoox, Inc.**, Foster City, CA (US)
(**) Term: **15 Years**
(21) Appl. No.: **29/655,146**
(22) Filed: **Jun. 29, 2018**
(51) **LOC (13) Cl.** **14-03**
(52) **U.S. Cl.**
USPC **D14/230**
(58) **Field of Classification Search**
USPC D14/138, 230-238, 299, 358; D12/42, D12/43
CPC H01Q 7/00; H01Q 13/10; H01Q 9/285; H01Q 19/30; H01Q 19/12; H01Q 1/38; H01Q 1/36; H04B 1/0475; H04B 1/034; H05K 11/00
See application file for complete search history.

D681,018 S 4/2013 Hakamata
D684,563 S * 6/2013 Meek D14/230
D799,454 S * 10/2017 Lin D14/230
D801,320 S * 10/2017 Wechselberger D14/230
D826,219 S * 8/2018 Kobayashi D14/230

OTHER PUBLICATIONS

Chinese Office Action dated Jul. 22, 2019, for the Chinese Patent Application No. 201830770318.7, a counterpart foreign application of the U.S. Appl. No. 29/655,146.
Chinese Office Action dated Apr. 7, 2020, for the Chinese Design Application No. 201830770318.7, a counterpart foreign application of the U.S. Appl. No. 29/655,146, 2 pages.

* cited by examiner

Primary Examiner — John Windmuller
(74) *Attorney, Agent, or Firm* — Lee & Hayes, P.C.

(57) **CLAIM**

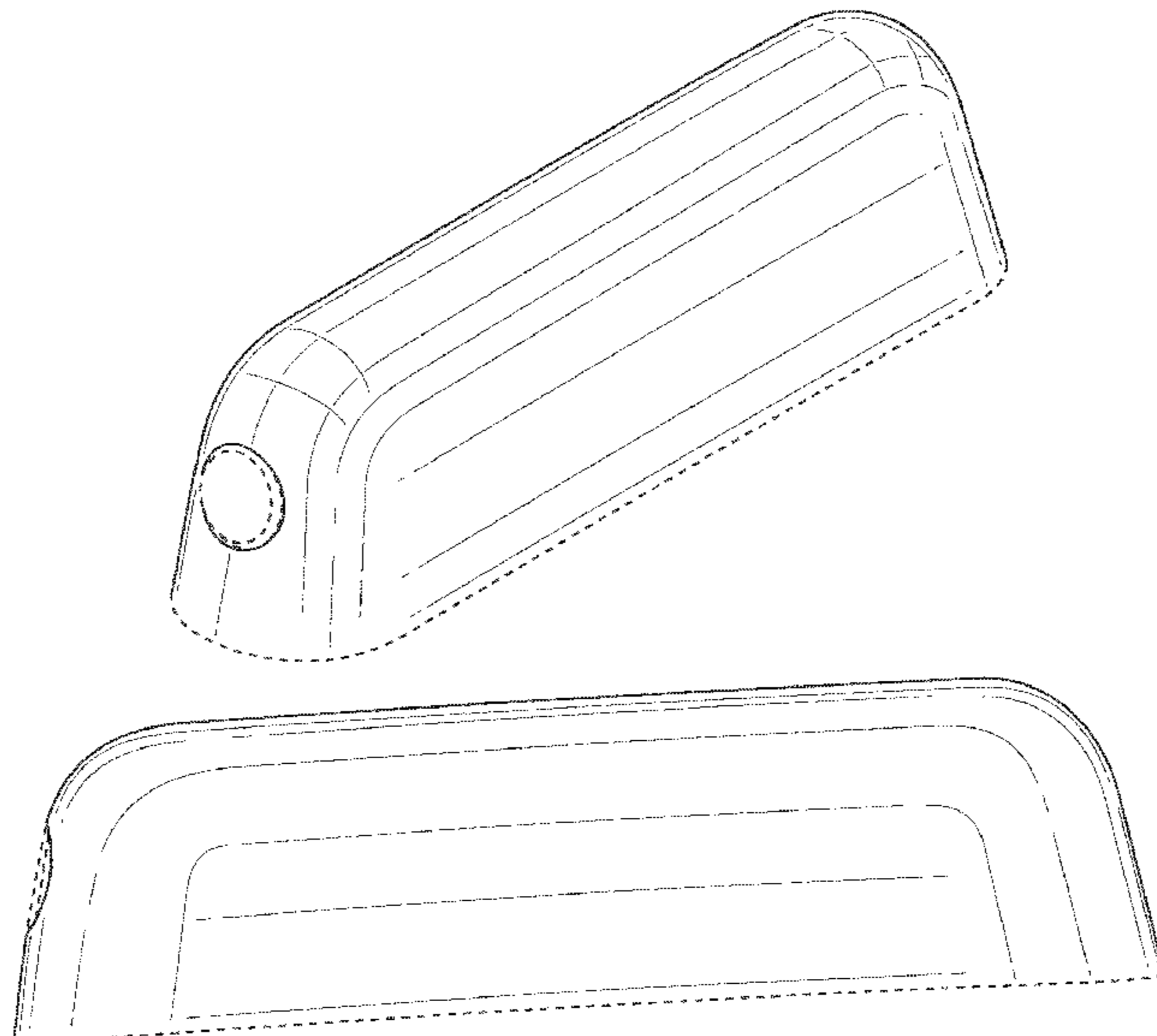
The ornamental design for a vehicle antenna, as shown and described.

DESCRIPTION

This application is related to U.S. patent application Ser. No. 29/655,062, entitled "Vehicle," filed Jun. 29, 2018, the entire contents of which are incorporated herein by reference. FIG. 1 is a front perspective view of a vehicle antenna; FIG. 2 is a front view thereof; FIG. 3 is a back view thereof; FIG. 4 is a right-side view thereof; FIG. 5 is a left-side view thereof; FIG. 6 is a top view thereof; FIG. 7 is a bottom view thereof; and, FIG. 8 is an alternative perspective view including disclaimed environment of the vehicle antenna. The broken lines depict portions of the vehicle antenna or environment of the vehicle antenna which form no part of the claimed design.

1 Claim, 8 Drawing Sheets

(56) **References Cited**
U.S. PATENT DOCUMENTS
D211,028 S * 5/1968 Zucconi D14/230
D531,996 S * 11/2006 Cislo D14/230
D581,909 S 12/2008 Jeong
D595,274 S * 6/2009 Skottke D14/230
D602,921 S * 10/2009 Skottke D14/230
D632,166 S * 2/2011 Spadotto D8/396
D673,533 S * 1/2013 Ennabli D14/230
D675,601 S 2/2013 Huet



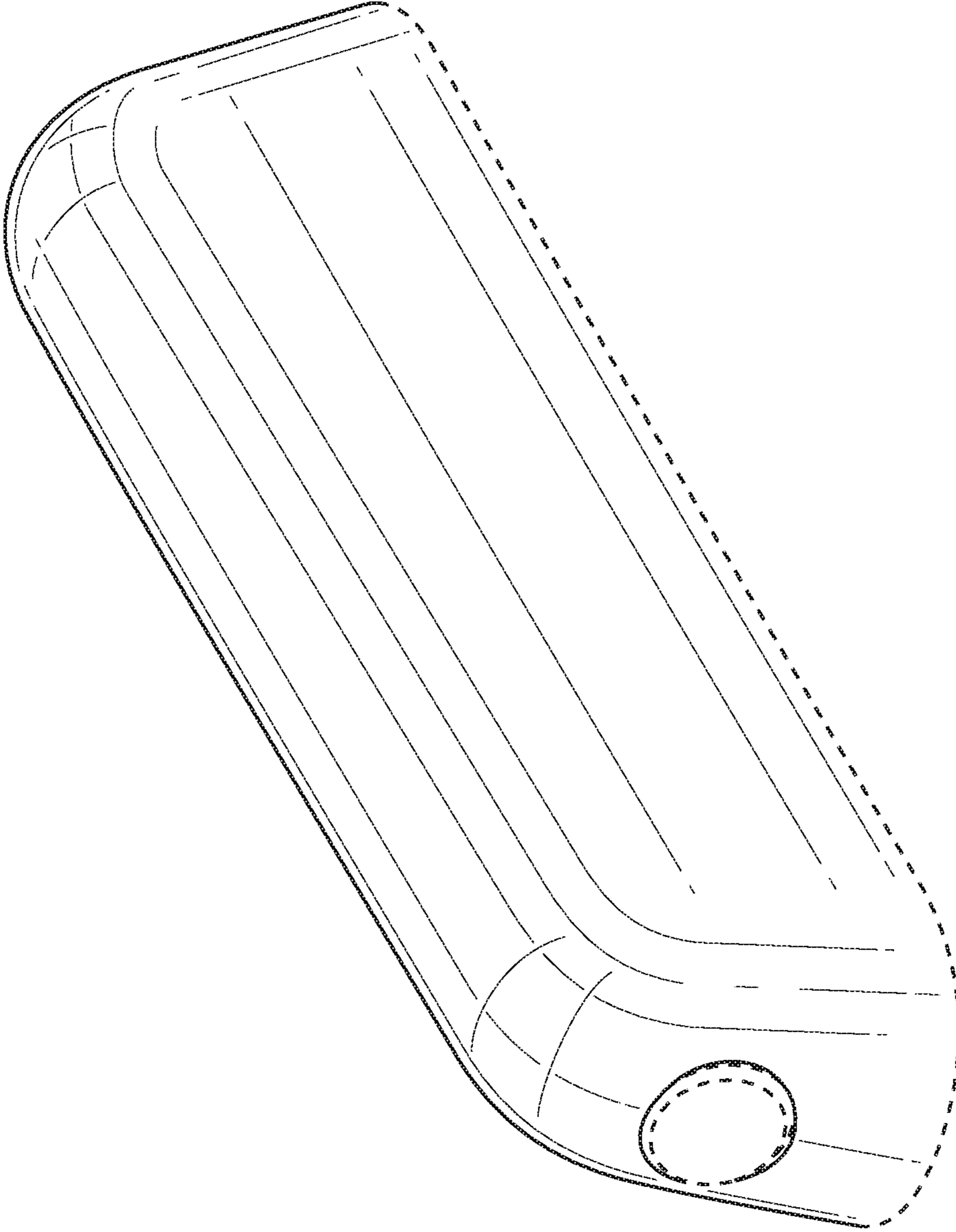


FIG. 1

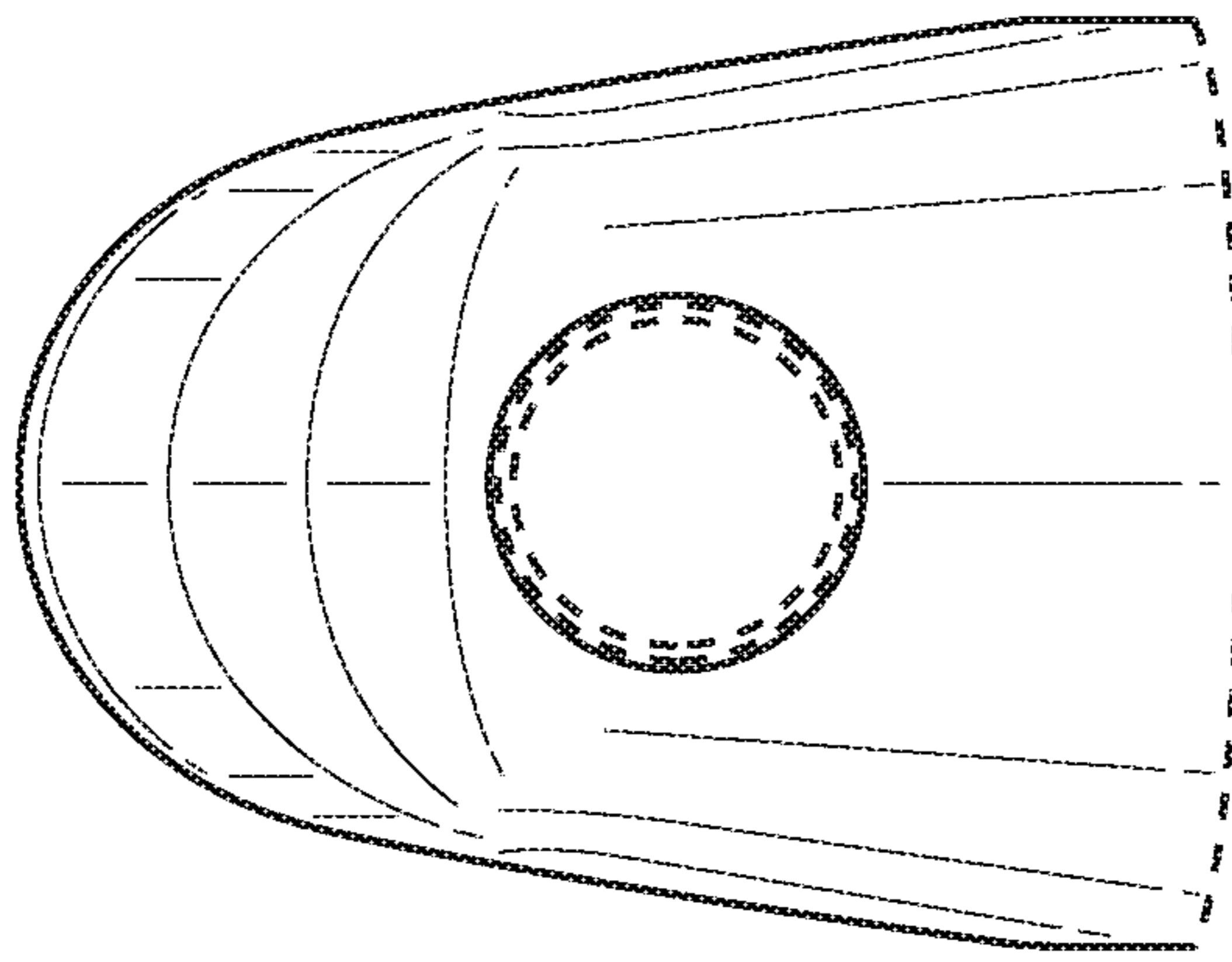


FIG. 2

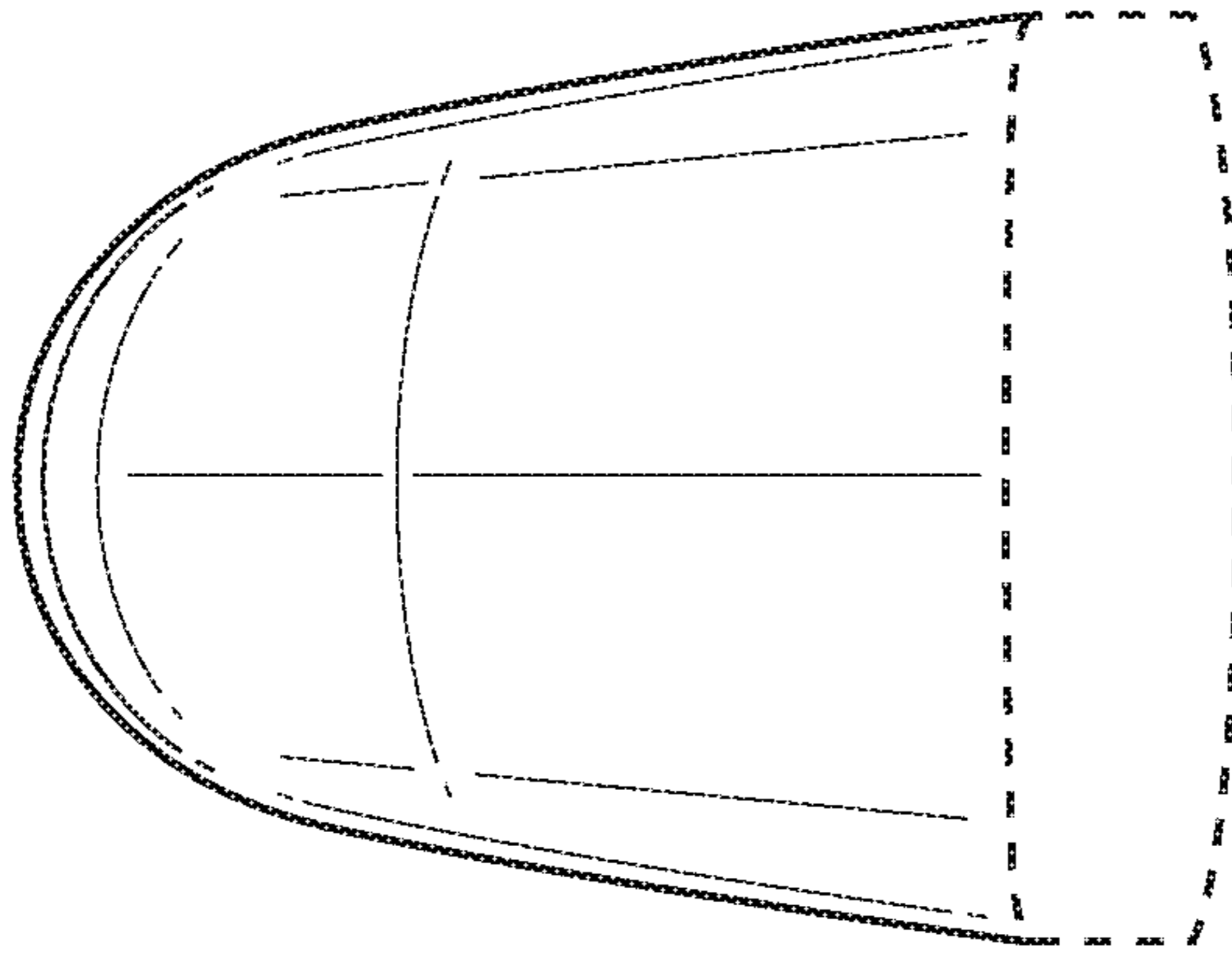


FIG. 3

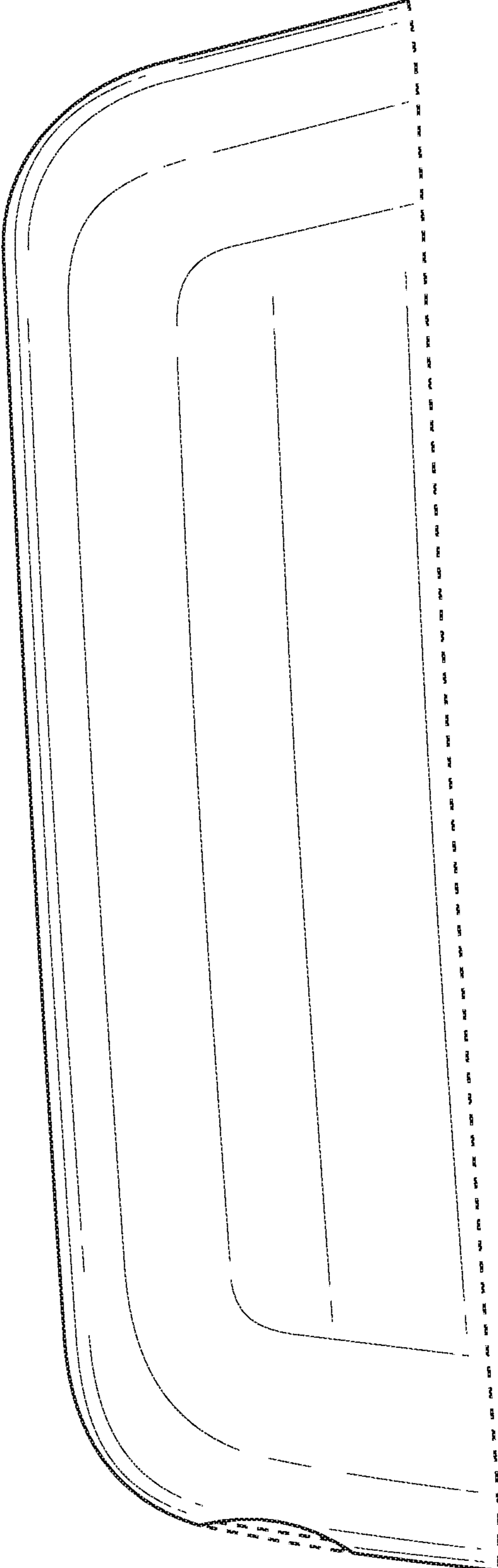


FIG. 4

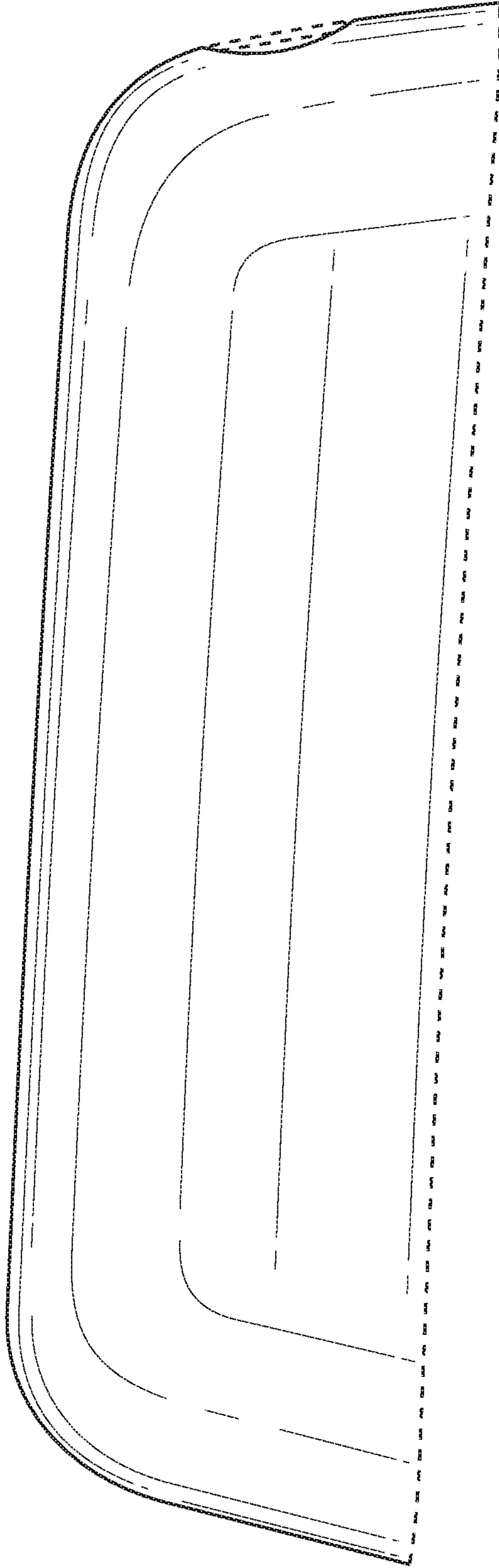


FIG. 5

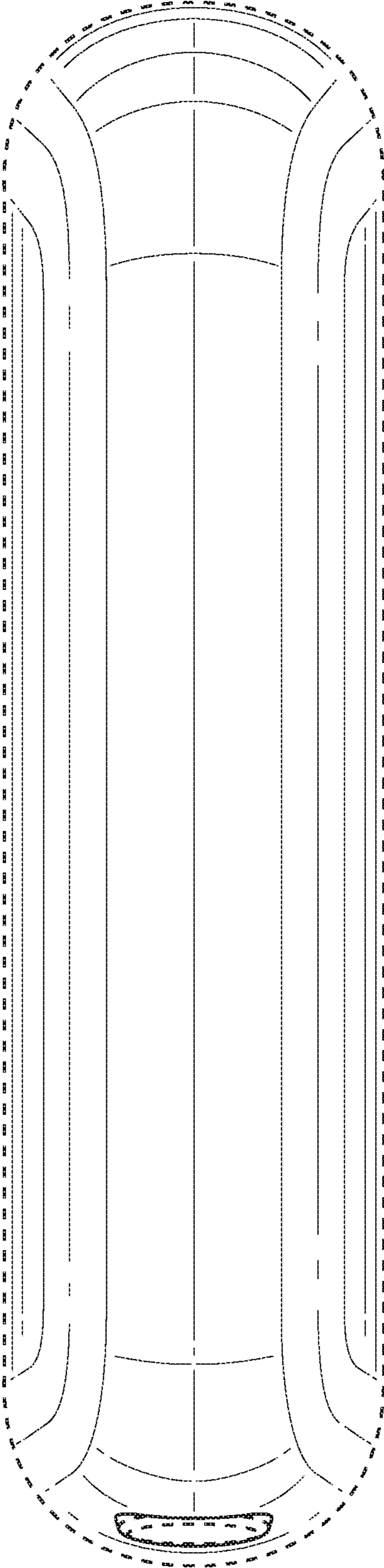


FIG. 6



FIG. 7

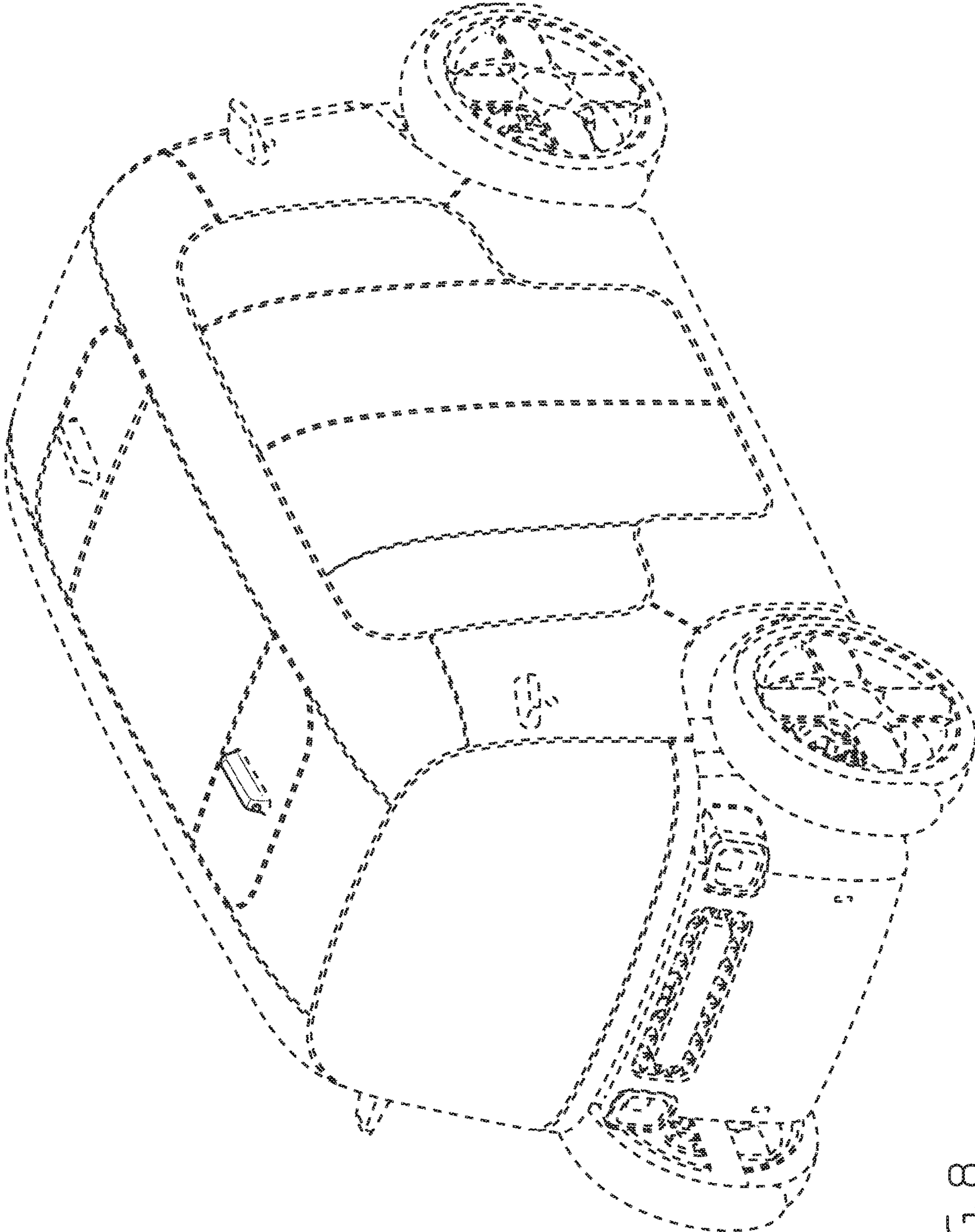


FIG. 8