



US00D909346S

(12) **United States Design Patent**  
**Wang**

(10) **Patent No.:** **US D909,346 S**

(45) **Date of Patent:** **\*\* Feb. 2, 2021**

(54) **EARPHONE**

(71) Applicant: **Baoqing Wang**, Shenzhen (CN)

(72) Inventor: **Baoqing Wang**, Shenzhen (CN)

(\*\*) Term: **15 Years**

(21) Appl. No.: **29/705,752**

(22) Filed: **Sep. 16, 2019**

(51) **LOC (13) Cl.** ..... **14-01**

(52) **U.S. Cl.**  
USPC ..... **D14/223**

(58) **Field of Classification Search**  
USPC ..... D14/223, 188, 192; D24/174;  
128/864-866; 381/380, 381, 328, 322;  
455/90.3, 575.1, 569.1  
CPC ..... H04R 1/10; H04R 1/1066; H04R 1/1016;  
H04R 5/033; H04R 5/0335; H04R 25/00;  
H04R 1/1091

See application file for complete search history.

(56) **References Cited**

**U.S. PATENT DOCUMENTS**

D176,810 S *	1/1956	Norris	.....	D14/192
D177,346 S *	4/1956	Norris	.....	D14/192
4,539,708 A *	9/1985	Norris	.....	H04B 1/088
				455/100
4,550,227 A *	10/1985	Topholm	.....	H04R 25/60
				381/324
D321,881 S *	11/1991	Hopewell	.....	D14/192
D350,961 S *	9/1994	Nakamura	.....	D14/205
D452,857 S *	1/2002	Hong	.....	D14/206
D464,638 S *	10/2002	Huang	.....	D14/205
D469,755 S *	2/2003	Hlas	.....	D14/223
D529,901 S *	10/2006	Ohta	.....	D14/223
D543,972 S *	6/2007	Taylor	.....	D14/223
D559,837 S *	1/2008	Nakano	.....	D14/223
D574,814 S *	8/2008	Hammond	.....	D14/205
D579,006 S *	10/2008	Kim	.....	D14/223
D597,534 S *	8/2009	Christopher	.....	D14/223

D603,380 S *	11/2009	Hutchieson	.....	D14/223
D618,211 S *	6/2010	Oguro	.....	D14/205
D621,817 S *	8/2010	Brickstad	.....	D14/223
D623,629 S *	9/2010	Lau	.....	D14/223
D630,181 S *	1/2011	Xiao	.....	D14/138 AA
D635,558 S *	4/2011	Zheng	.....	D14/223
D649,141 S *	11/2011	Thomas	.....	D14/242
D660,292 S *	5/2012	Rautiainen	.....	D14/223
D666,581 S *	9/2012	Perez	.....	D14/223
8,406,448 B2 *	3/2013	Lin	.....	H04R 1/1091
				381/380
D681,602 S *	5/2013	Koch	.....	D14/205

(Continued)

**FOREIGN PATENT DOCUMENTS**

CN	305973152	*	8/2020
EM	006885901-0002	*	9/2019

(Continued)

*Primary Examiner* — Paul Allen Greene

(74) *Attorney, Agent, or Firm* — HYIP

(57) **CLAIM**

The ornamental design for an earphone, as shown and described.

**DESCRIPTION**

FIG. 1 is a first perspective view of an earphone showing my new design;

FIG. 2 is a second perspective view thereof;

FIG. 3 is a front view thereof;

FIG. 4 is a back view thereof;

FIG. 5 is a left side view thereof;

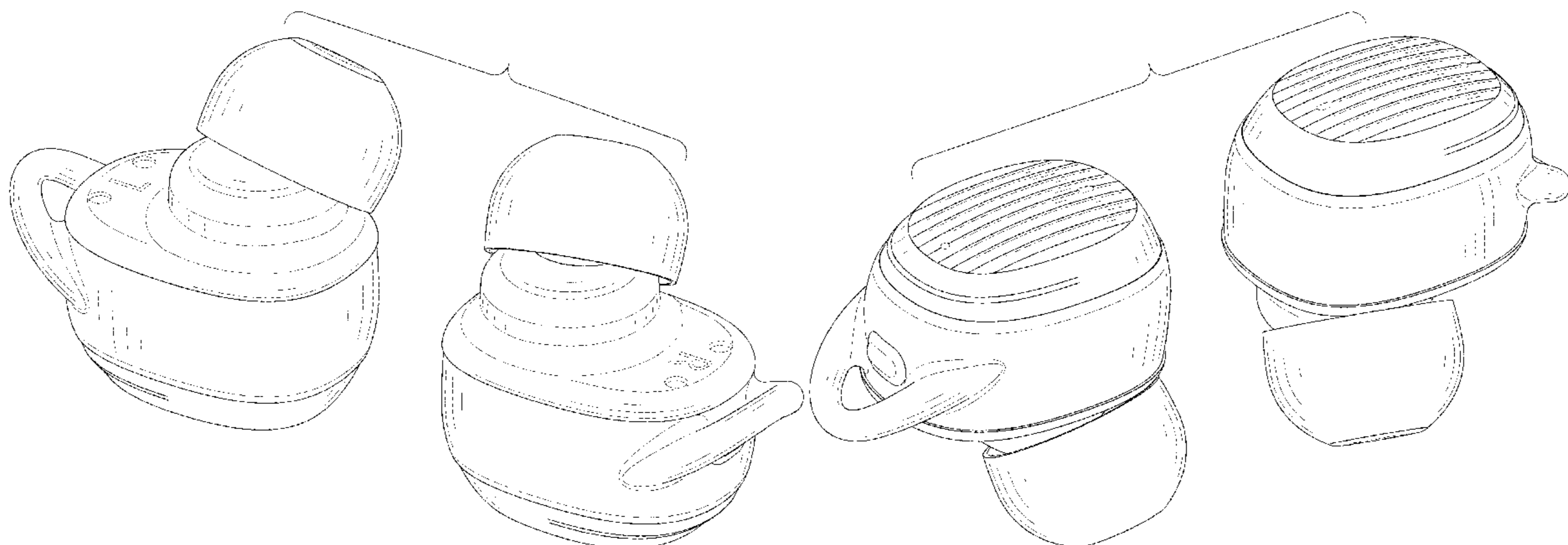
FIG. 6 is a right side view thereof;

FIG. 7 is a top view thereof; and,

FIG. 8 is a bottom view thereof.

The broken lines shown in the drawings depict portions of the earphone in which the design is embodied that form no part of the claimed design.

**1 Claim, 8 Drawing Sheets**



(56)

References Cited

U.S. PATENT DOCUMENTS

D699,215 S \* 2/2014 Koch ..... D14/205  
 D705,757 S \* 5/2014 Yashiro ..... H04R 1/10  
 D711,356 S \* 8/2014 Yang ..... D14/223  
 8,983,108 B2 \* 3/2015 Ho ..... H04R 1/1016  
 D729,775 S \* 5/2015 Seo ..... D14/223  
 D733,103 S \* 6/2015 Jeong ..... D14/224  
 D735,169 S \* 7/2015 Shieh ..... D14/223  
 D739,851 S \* 9/2015 Donohue, II ..... D14/223  
 D764,445 S \* 8/2016 Czaniecki ..... D14/223  
 D773,439 S \* 12/2016 Walker ..... D14/223  
 D777,170 S \* 1/2017 Mihara ..... D14/483  
 D788,079 S \* 5/2017 Son ..... D14/223  
 D795,224 S \* 8/2017 Valenzuela ..... D14/223  
 D798,843 S \* 10/2017 Valenzuela ..... D14/223  
 D800,097 S \* 10/2017 Chen ..... D14/223  
 D806,879 S \* 1/2018 Horbinski ..... D24/174  
 D810,950 S \* 2/2018 Camper ..... D24/189  
 D817,309 S \* 5/2018 Czaniecki ..... D14/223  
 D834,003 S \* 11/2018 Maeda ..... D14/223  
 D841,626 S \* 2/2019 Tang ..... D14/223  
 10,206,026 B2 \* 2/2019 Yeung ..... H01Q 1/48  
 D845,932 S \* 4/2019 Lu ..... D14/223  
 D852,171 S \* 6/2019 Cai ..... D14/223  
 D858,489 S \* 9/2019 Hu ..... D14/223  
 D863,261 S \* 10/2019 Zhu ..... D14/223  
 D863,262 S \* 10/2019 Roberts ..... D14/223  
 D863,263 S \* 10/2019 Yu ..... D14/223

D870,708 S \* 12/2019 Lindenberger ..... D14/223  
 D871,376 S \* 12/2019 Zhou ..... D14/223  
 D872,063 S \* 1/2020 Arimoto ..... D14/223  
 D872,064 S \* 1/2020 Cai ..... D14/223  
 D875,719 S \* 2/2020 Wen ..... D14/223  
 D876,399 S \* 2/2020 Duddy ..... D14/223  
 D883,262 S \* 5/2020 Wu ..... D14/223  
 D884,681 S \* 5/2020 Zhang ..... D14/223  
 D890,727 S \* 7/2020 Park ..... D14/223  
 D892,086 S \* 8/2020 Bonahoom ..... D14/223  
 D892,769 S \* 8/2020 Cai ..... D14/223  
 D894,158 S \* 8/2020 Gu ..... D14/223  
 D895,572 S \* 9/2020 Maeda ..... D14/205  
 D896,205 S \* 9/2020 Zhang ..... D14/223  
 D897,999 S \* 10/2020 Li ..... D14/223  
 D899,405 S \* 10/2020 Vaclavik ..... D14/223  
 D900,066 S \* 10/2020 Park ..... D14/223  
 2012/0114160 A1 \* 5/2012 Lin ..... H04R 1/1091  
 381/380  
 2014/0064548 A1 \* 3/2014 Chu ..... H04R 1/1091  
 381/380  
 2014/0205125 A1 \* 7/2014 Triato ..... H04R 1/1066  
 381/330  
 2019/0014403 A1 \* 1/2019 Lee ..... H04R 1/1016  
 2020/0219525 A1 \* 7/2020 Moon ..... G10L 21/038

FOREIGN PATENT DOCUMENTS

JP D1655842 \* 3/2020  
 JP D1655843 \* 3/2020

\* cited by examiner

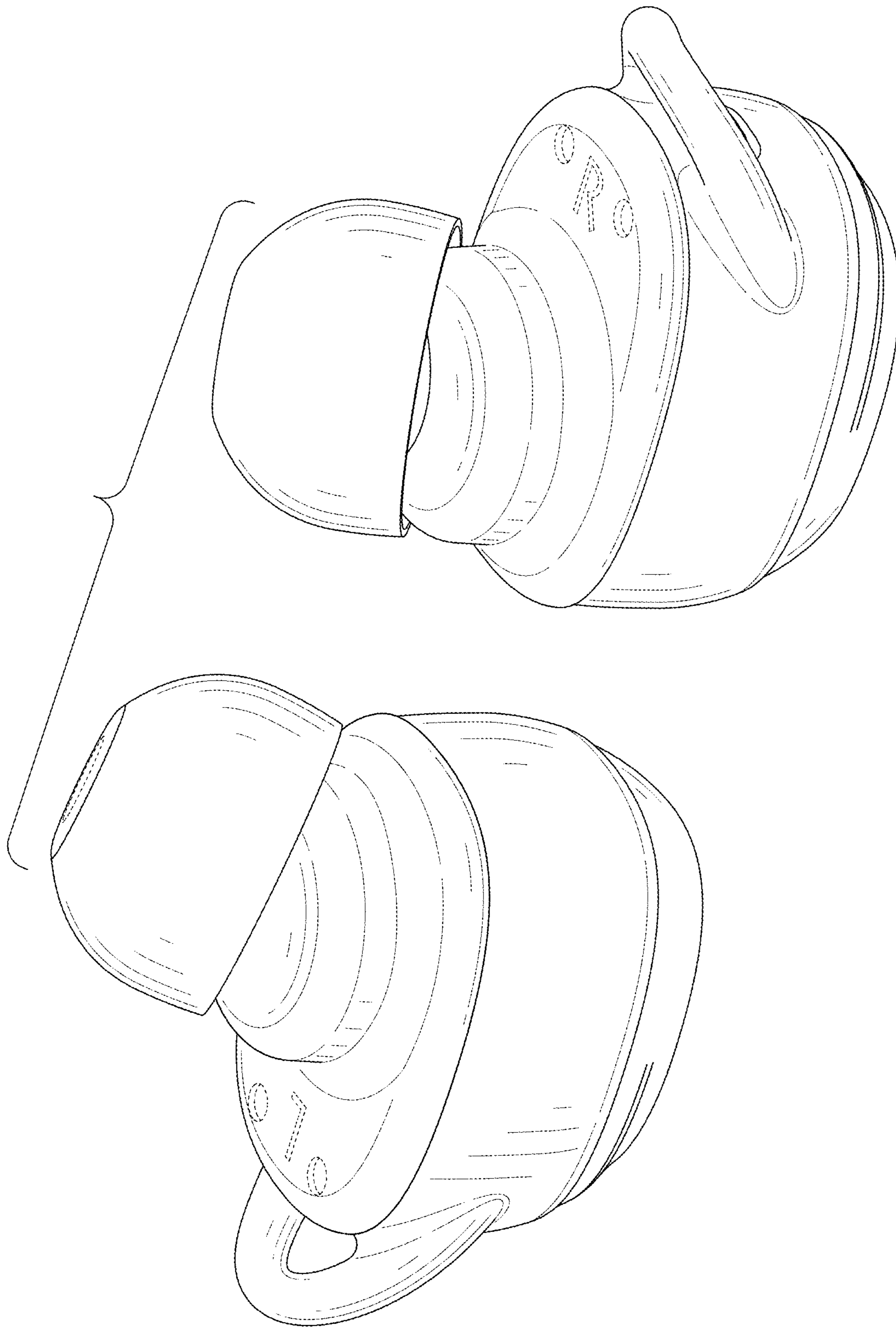


FIG. 1

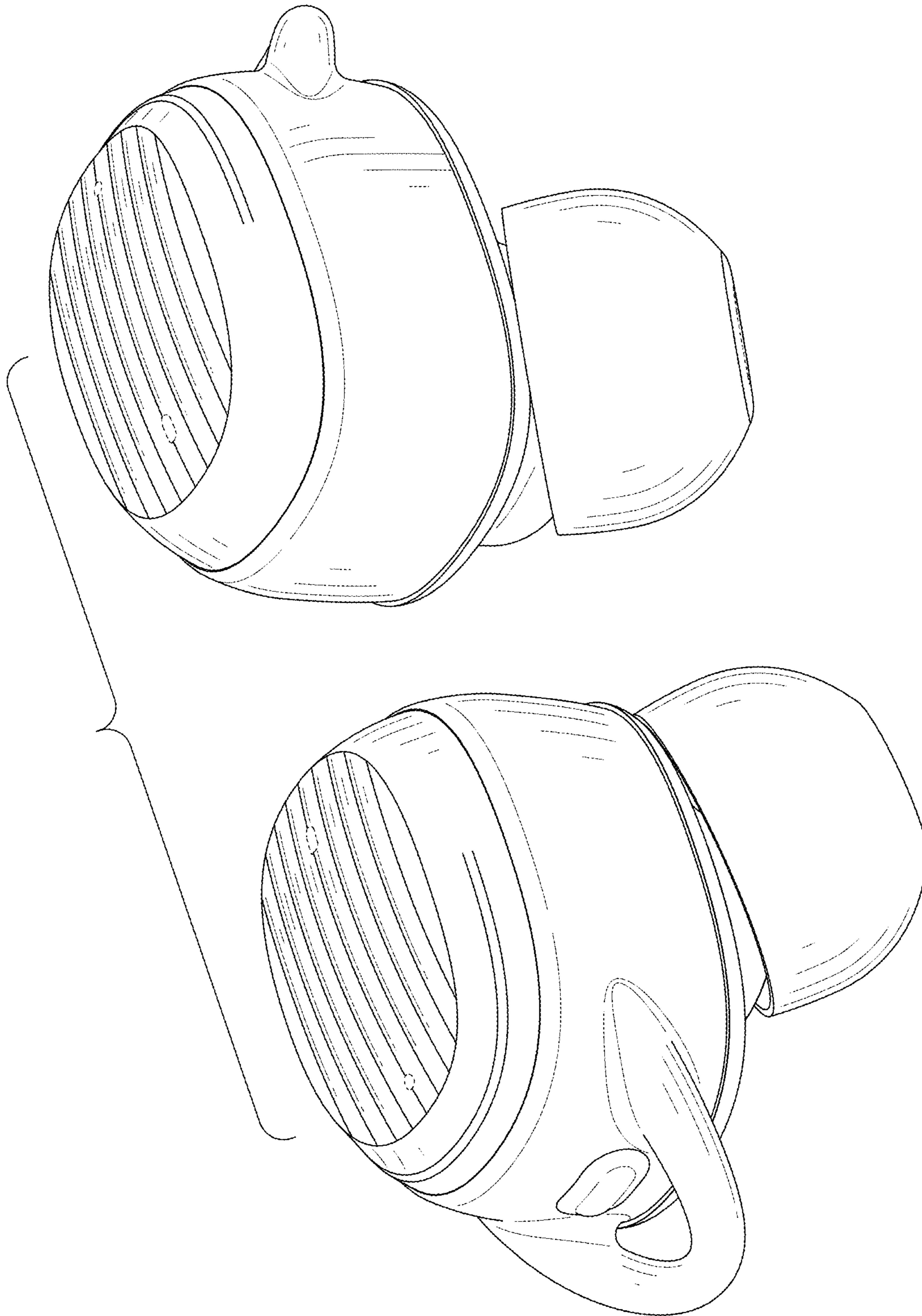


FIG. 2

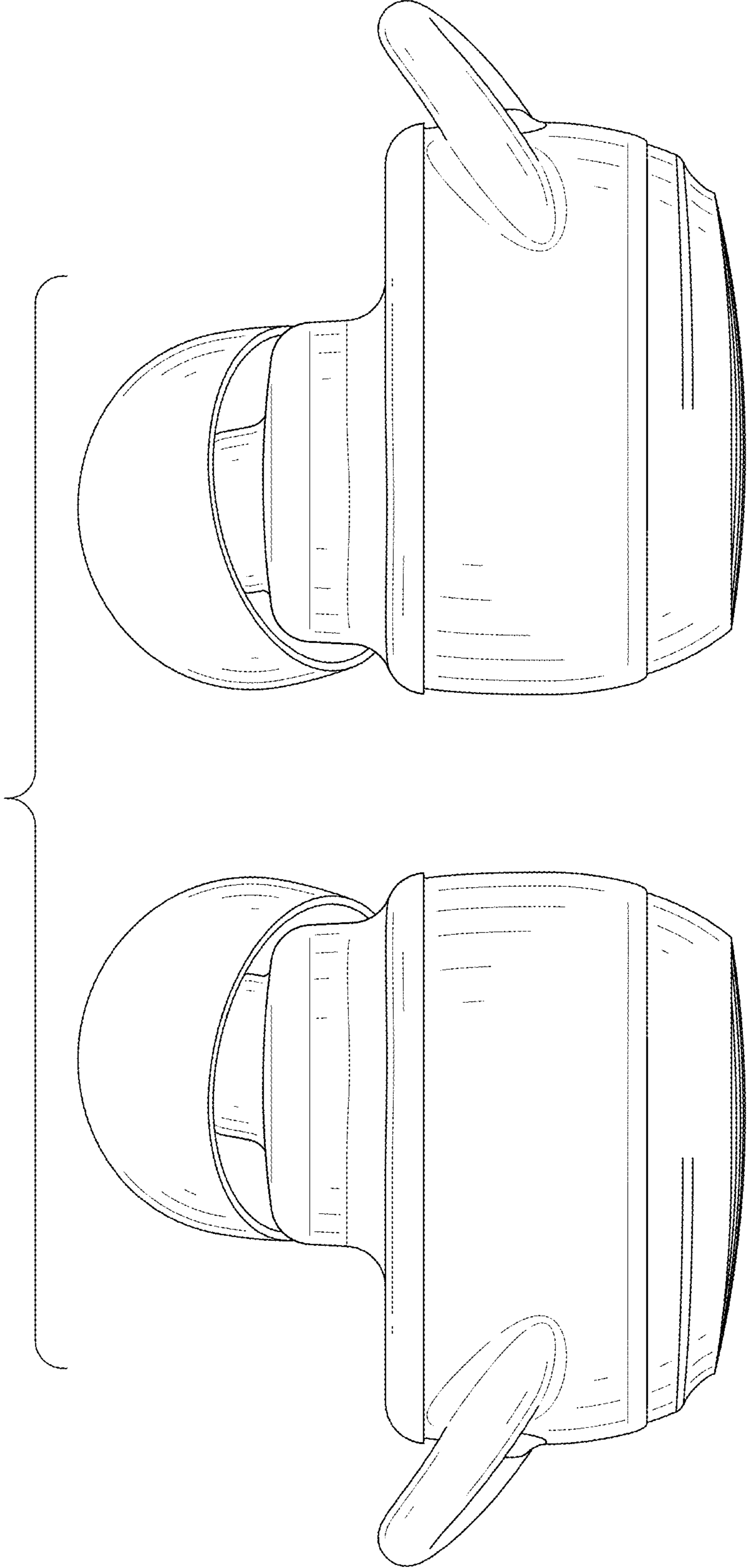


FIG. 3

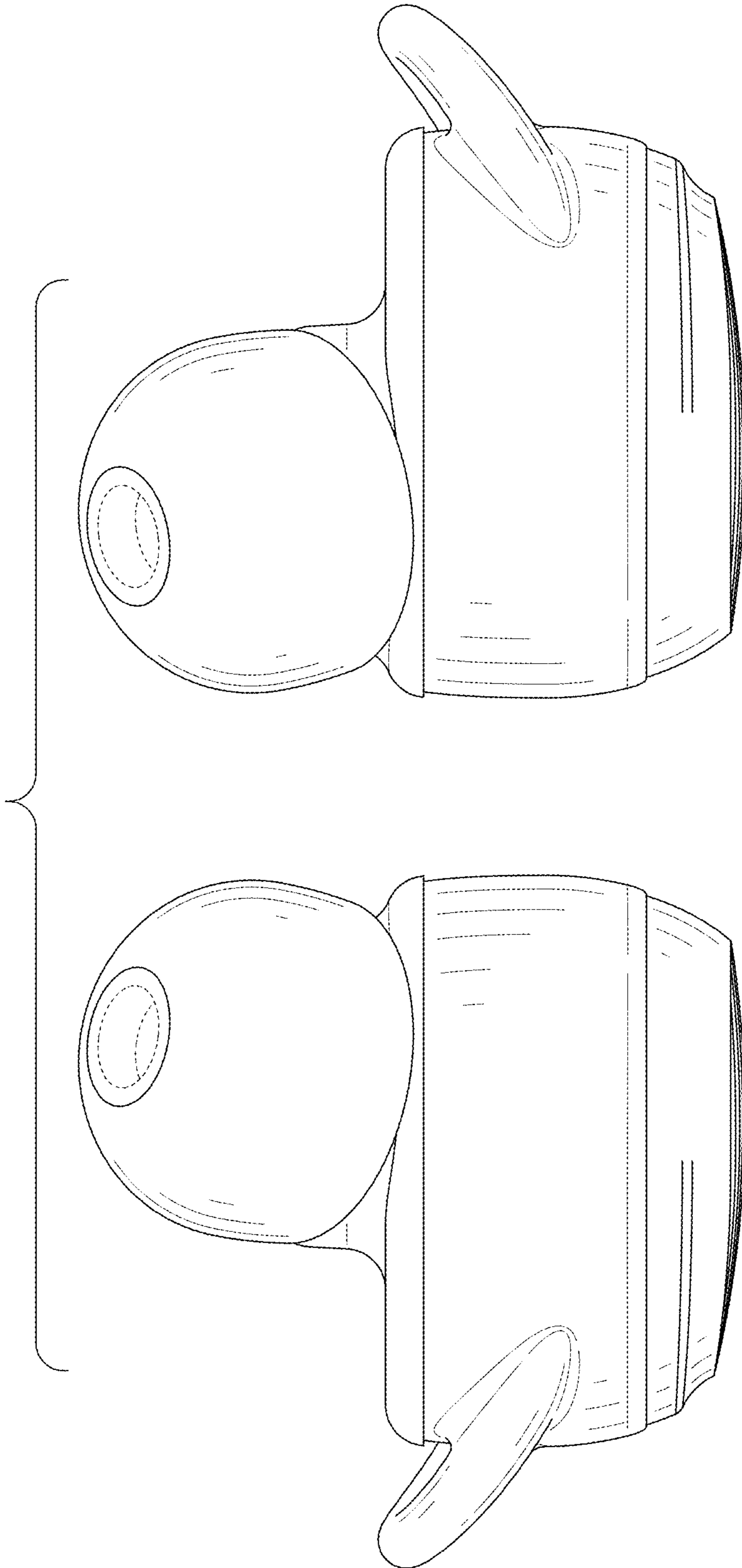


FIG. 4

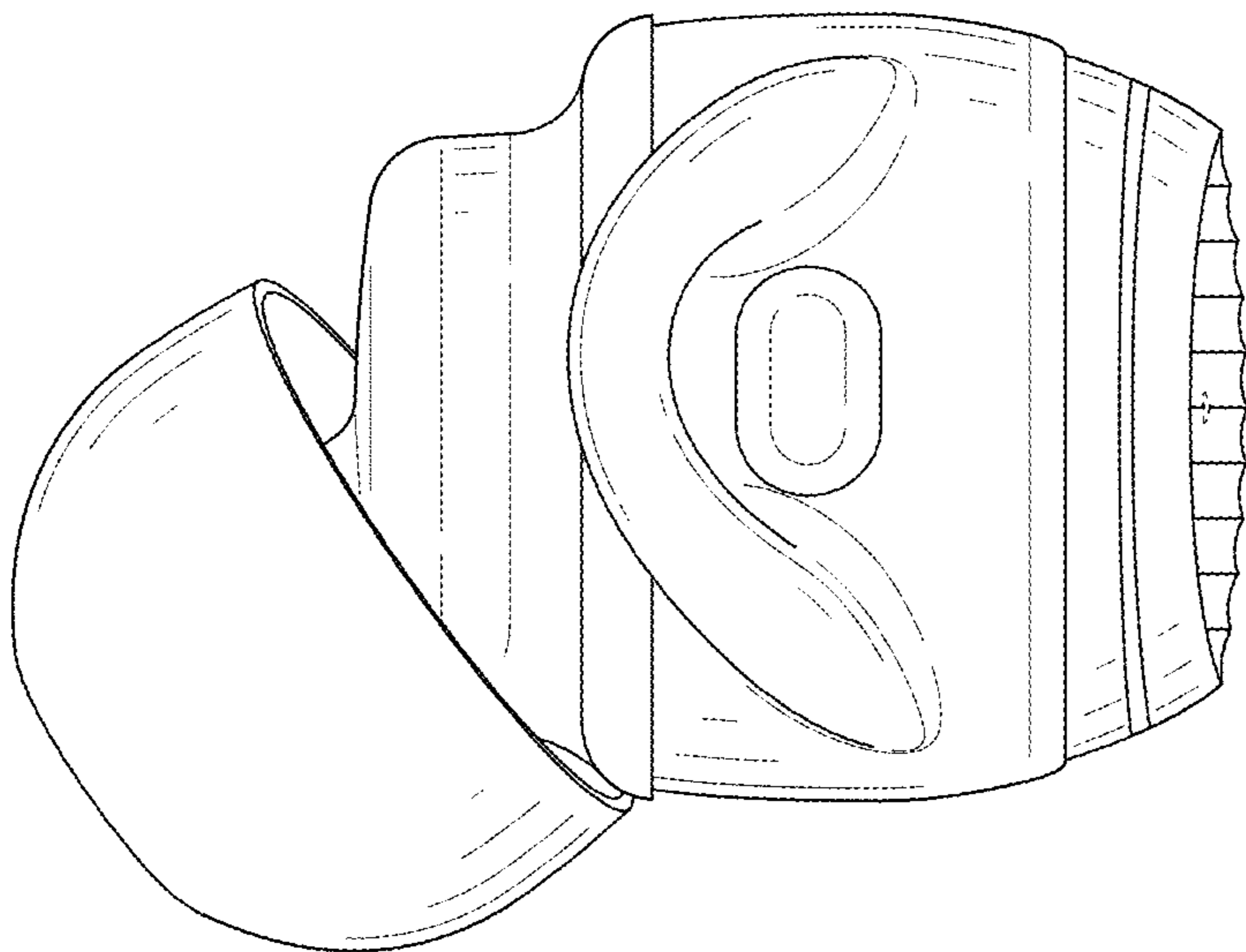


FIG. 5

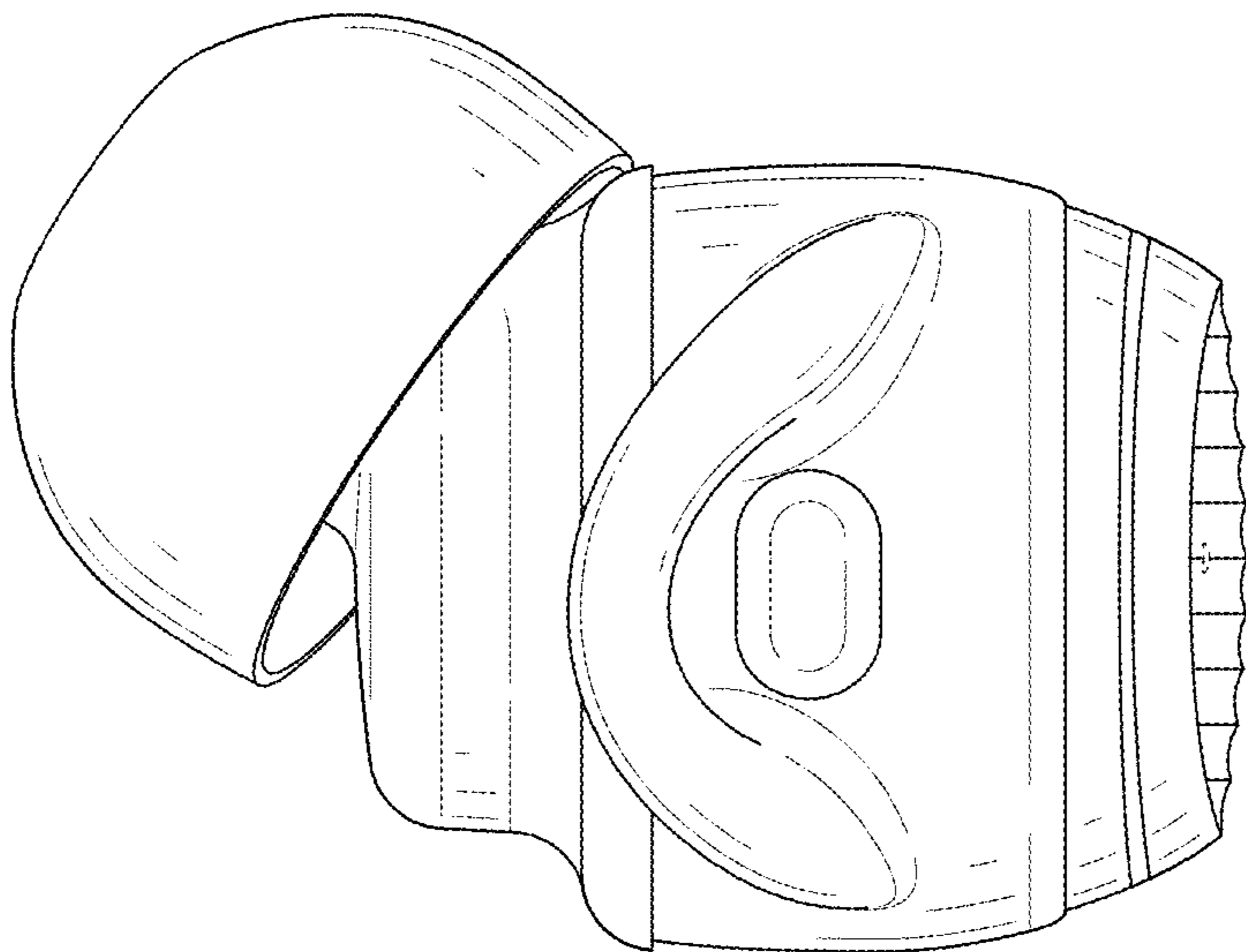


FIG. 6



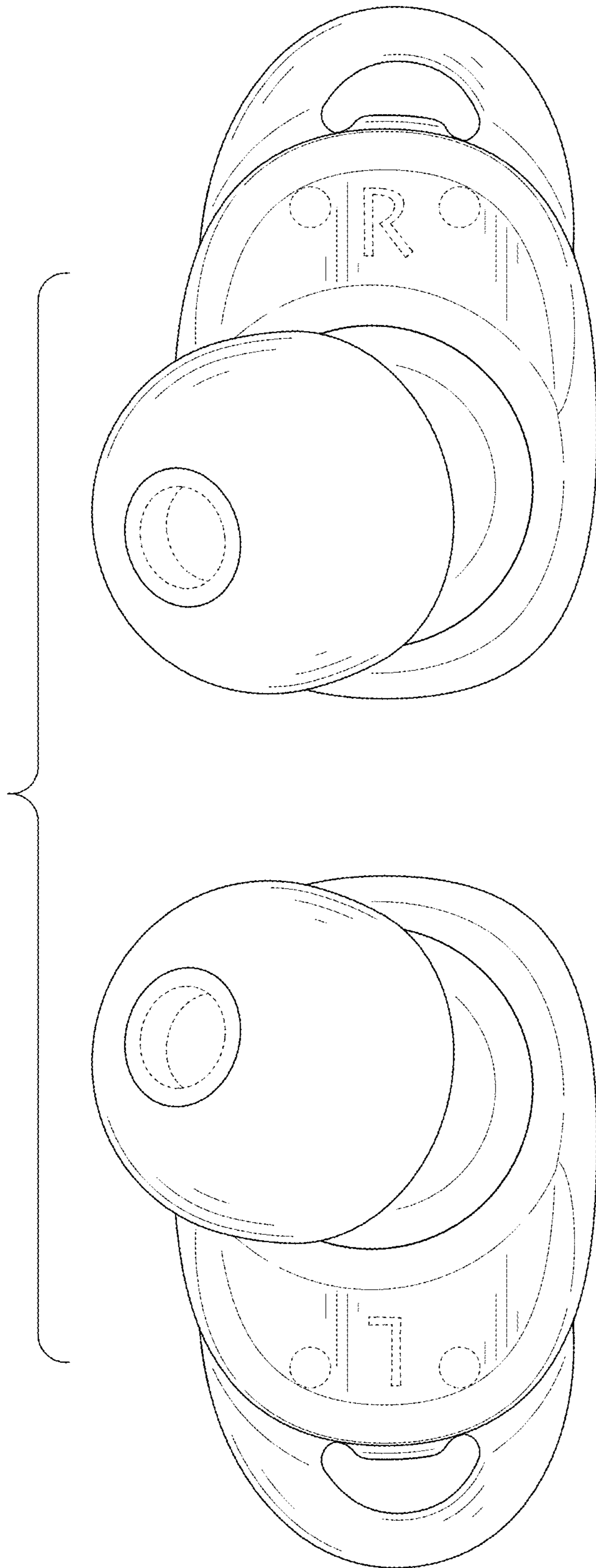


FIG. 7

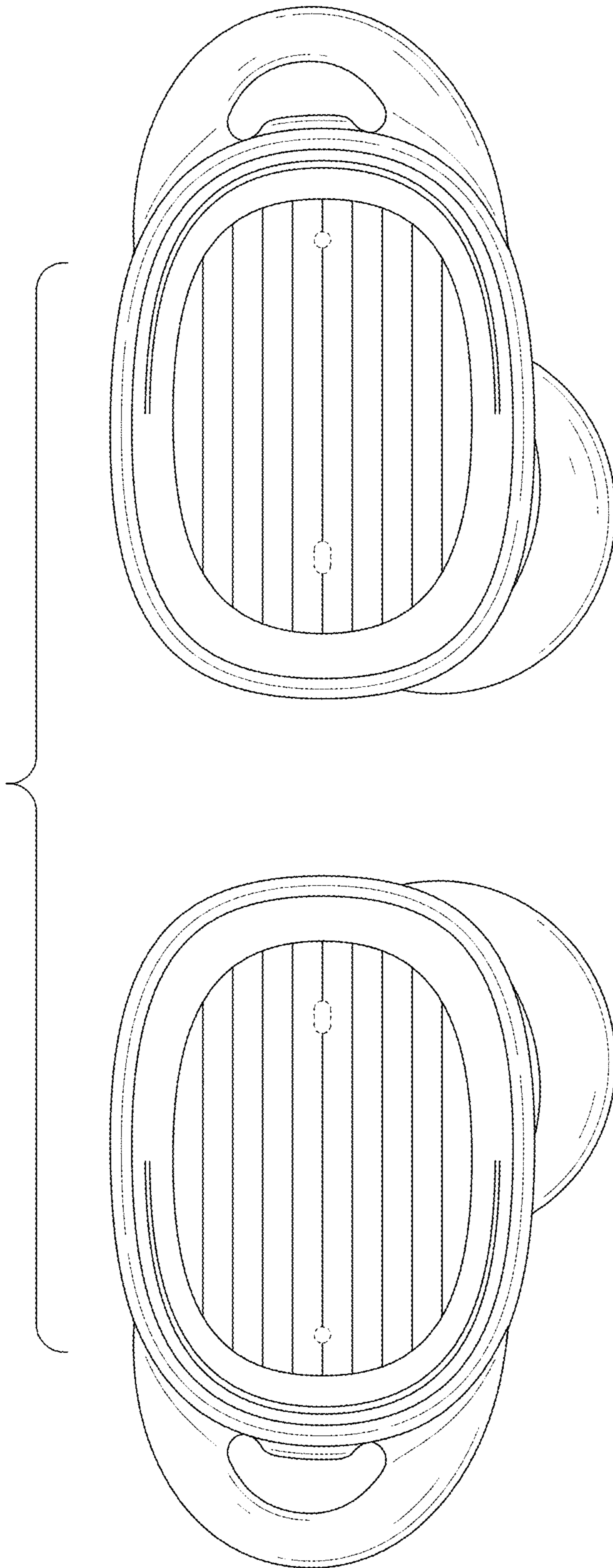


FIG. 8