



US00D909345S

(12) **United States Design Patent**
Huang

(10) **Patent No.:** **US D909,345 S**

(45) **Date of Patent:** **** Feb. 2, 2021**

- (54) **WIRELESS EARPHONE**
- (71) Applicant: **Shenzhen Shuaixian Electronic Equipment Co., Ltd, Shenzhen (CN)**
- (72) Inventor: **Xuezheng Huang, Guangzhou (CN)**
- (**) Term: **15 Years**
- (21) Appl. No.: **29/698,591**
- (22) Filed: **Jul. 18, 2019**
- (51) **LOC (13) Cl.** **14-01**
- (52) **U.S. Cl.**
USPC **D14/223**
- (58) **Field of Classification Search**
USPC D14/223, 205; D24/174; 128/864, 865,
128/866; D13/108; 381/380, 381, 328;
455/90.3, 575.1, 569.1
CPC H04R 25/00; H04R 1/10; H04R 1/1066;
H04R 5/033; H04R 5/0335; H04R
1/1091; H04R 1/105; H04R 1/1016
See application file for complete search history.

- 7,708,110 B2 * 5/2010 Leong A61F 11/08
181/135
 - D619,998 S * 7/2010 Birger D14/223
 - D622,855 S * 8/2010 Cano, Jr. D24/174
 - D624,529 S * 9/2010 Huang D14/223
- (Continued)

FOREIGN PATENT DOCUMENTS

- EM 007809850-0001 * 4/2020
- EM 008053755-0001 * 7/2020

Primary Examiner — Paula Allen Greene

(74) *Attorney, Agent, or Firm* — KA Filing LLC

(57) **CLAIM**

I claim the ornamental design for a wireless earphone, as shown and described.

DESCRIPTION

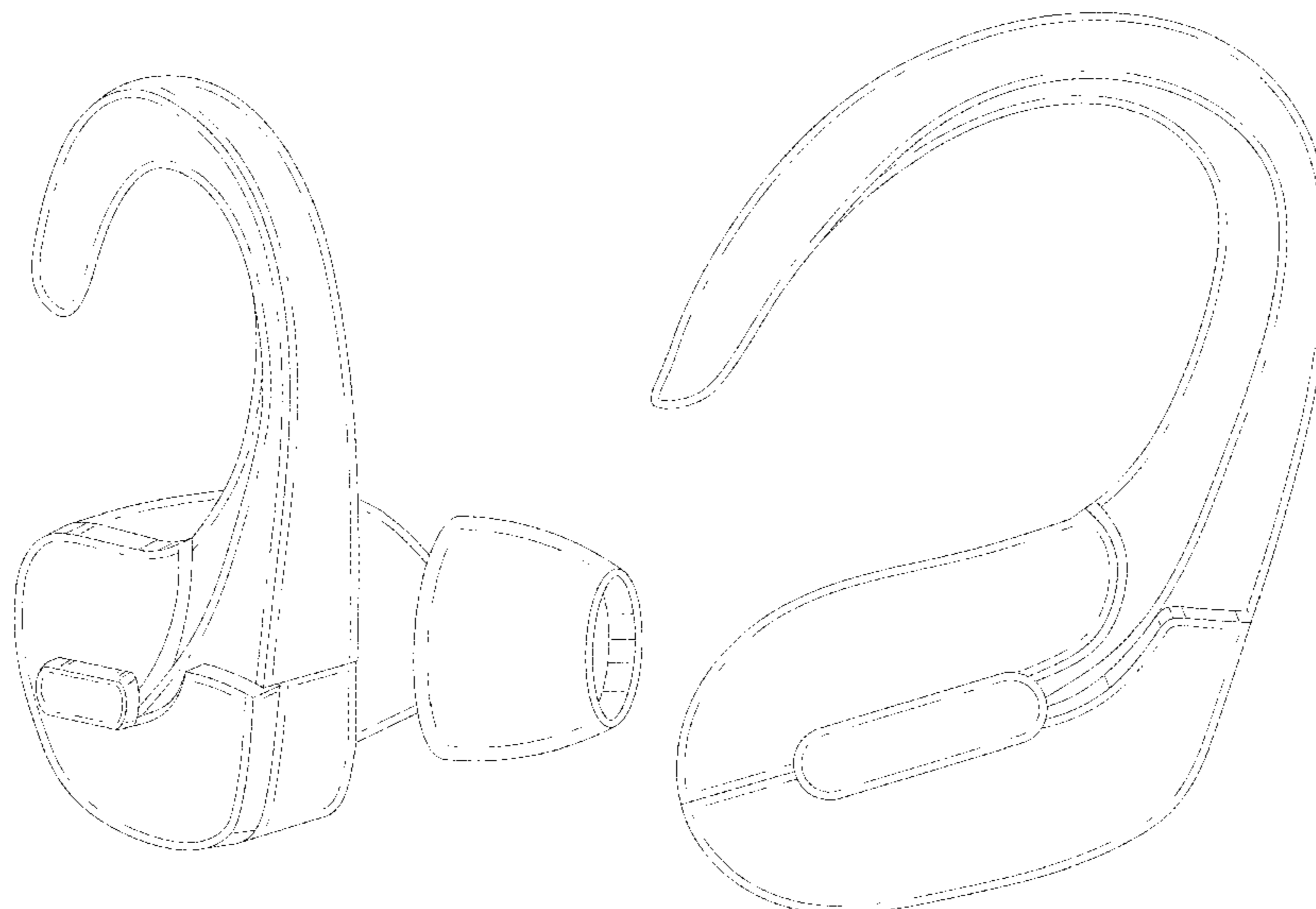
FIG. 1 is a Perspective view of a wireless earphone showing my new design;
 FIG. 2 is other Perspective view of the wireless earphone as shown in FIG. 1;
 FIG. 3 is a Right-side view of the wireless earphone as shown in FIG. 1;
 FIG. 4 is a Left-side view of the wireless earphone as shown in FIG. 1;
 FIG. 5 is a Top view of the wireless earphone as shown in FIG. 1;
 FIG. 6 is a Bottom view of the wireless earphone as shown in FIG. 1;
 FIG. 7 is a Front view of the wireless earphone as shown in FIG. 1;
 FIG. 8 is a Back view of the wireless earphone as shown in FIG. 1; and,
 FIG. 9 is another perspective view of the wireless earphone as shown in FIG. 1.
 The broken line depicted in FIG. 9 is for environmental purpose only and form no part in claimed design.

1 Claim, 9 Drawing Sheets

(56) **References Cited**

U.S. PATENT DOCUMENTS

- 4,917,504 A * 4/1990 Scott H04M 1/05
381/330
- D463,791 S * 10/2002 Nagai D14/205
- D477,593 S * 7/2003 Komiyama D14/223
- D478,573 S * 8/2003 Wisley D14/223
- D542,267 S * 5/2007 Cha D14/206
- D555,151 S * 11/2007 Eklund D14/223
- D565,033 S * 3/2008 Goransson D14/223
- D574,366 S * 8/2008 Sade D14/223
- D574,367 S * 8/2008 Jaakkola D14/205
- D584,293 S * 1/2009 Kim D14/223
- D590,813 S * 4/2009 Bradford D14/205
- D590,814 S * 4/2009 Bradford D14/223
- D592,190 S * 5/2009 Birger D14/223
- D595,698 S * 7/2009 Guccione D14/223
- D597,084 S * 7/2009 Gondo D14/223
- D603,847 S * 11/2009 Chung D14/223



(56)

References Cited

U.S. PATENT DOCUMENTS

7,841,446 B2 * 11/2010 Leong A61F 11/08
 181/135
 D634,305 S * 3/2011 Hoggarth D14/223
 D635,960 S * 4/2011 Gondo D14/223
 D649,958 S * 12/2011 Park D14/223
 D664,951 S * 8/2012 Ang D14/223
 8,265,328 B2 * 9/2012 Milde H04R 1/1066
 381/381
 D685,768 S * 7/2013 Mogili D14/223
 D686,196 S * 7/2013 Lee D14/223
 D695,275 S * 12/2013 Chee D14/223
 8,655,005 B2 * 2/2014 Birger H04R 1/1091
 381/381
 D710,333 S * 8/2014 Davies H04R 1/10
 D14/223
 D712,382 S * 9/2014 Brunner D14/223
 D725,637 S * 3/2015 Nakajima D14/223
 D743,945 S * 11/2015 Brunner D14/223
 D743,946 S * 11/2015 Brunner D14/223
 D745,862 S * 12/2015 Otani D14/223
 D761,770 S * 7/2016 Kanou D14/223
 D775,610 S * 1/2017 Nakajima D14/223
 D787,477 S * 5/2017 Lee D14/223

D796,490 S * 9/2017 Lian D14/223
 D799,452 S * 10/2017 Lee D14/223
 D806,684 S * 1/2018 Tsai D14/223
 D807,331 S * 1/2018 Morimoto D14/223
 D814,444 S * 4/2018 Liu D14/223
 D817,305 S * 5/2018 Hsieh D14/206
 D838,692 S * 1/2019 Fu D14/223
 D843,344 S * 3/2019 Zhu D14/205
 D843,971 S * 3/2019 Xu D14/206
 D863,265 S * 10/2019 Hu D14/223
 D864,110 S * 10/2019 Yoshimura D13/108
 D873,789 S * 1/2020 Hu D14/205
 D878,338 S * 3/2020 Yang D14/223
 D881,850 S * 4/2020 Zhang D14/223
 D882,262 S * 4/2020 Zhang D3/294
 D883,259 S * 5/2020 Ma D14/223
 D888,023 S * 6/2020 Gao D14/223
 D888,685 S * 6/2020 Lin D14/205
 D890,137 S * 7/2020 Ma D14/223
 D890,725 S * 7/2020 Liu D14/223
 D894,123 S * 8/2020 Xiong D13/108
 D897,996 S * 10/2020 Mei D14/223
 D899,406 S * 10/2020 Ma D14/223
 2012/0134524 A1 * 5/2012 Peng H04R 1/1075
 381/380
 2017/0105679 A1 * 4/2017 Gil A61B 5/6815

* cited by examiner

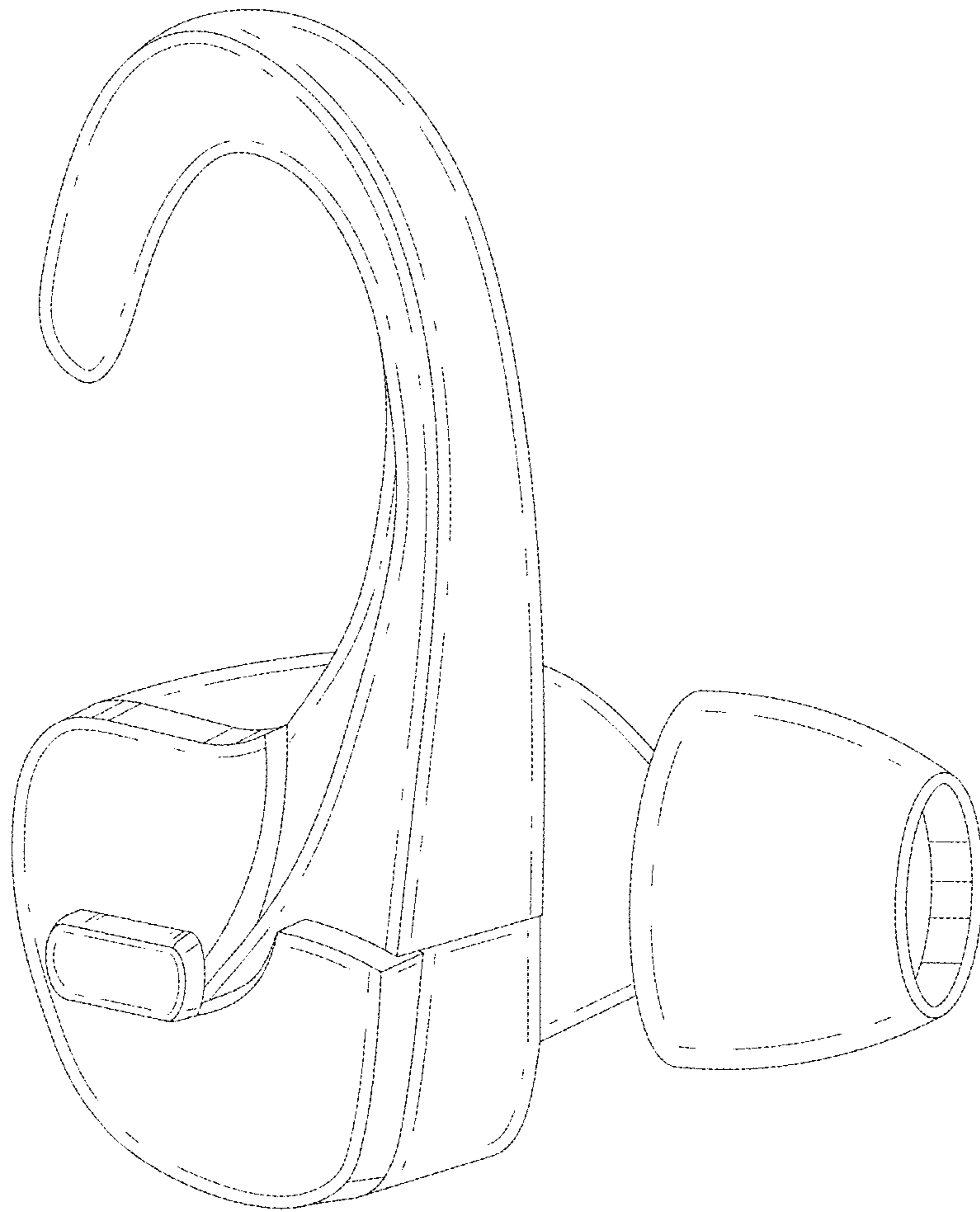


FIG. 1

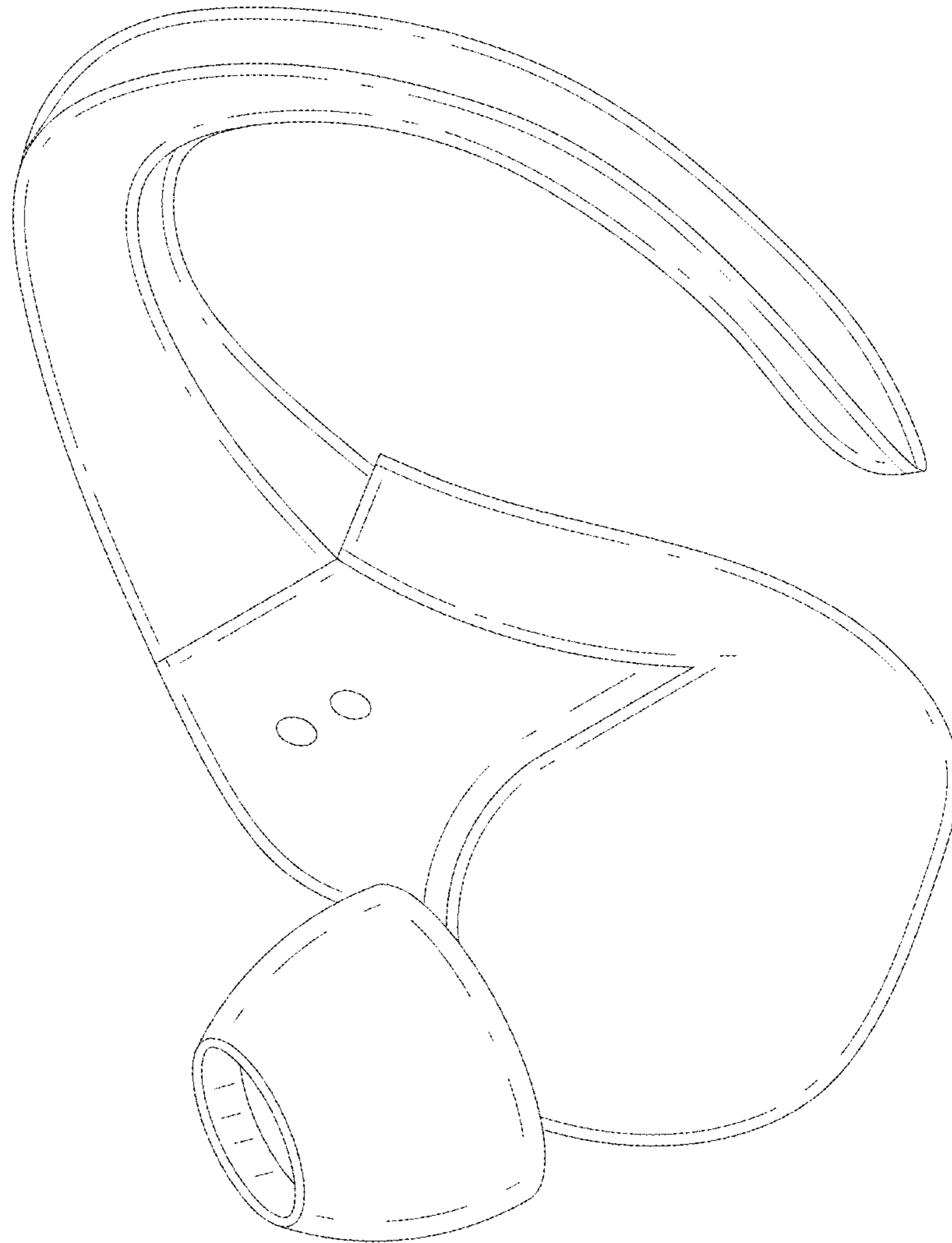


FIG. 2

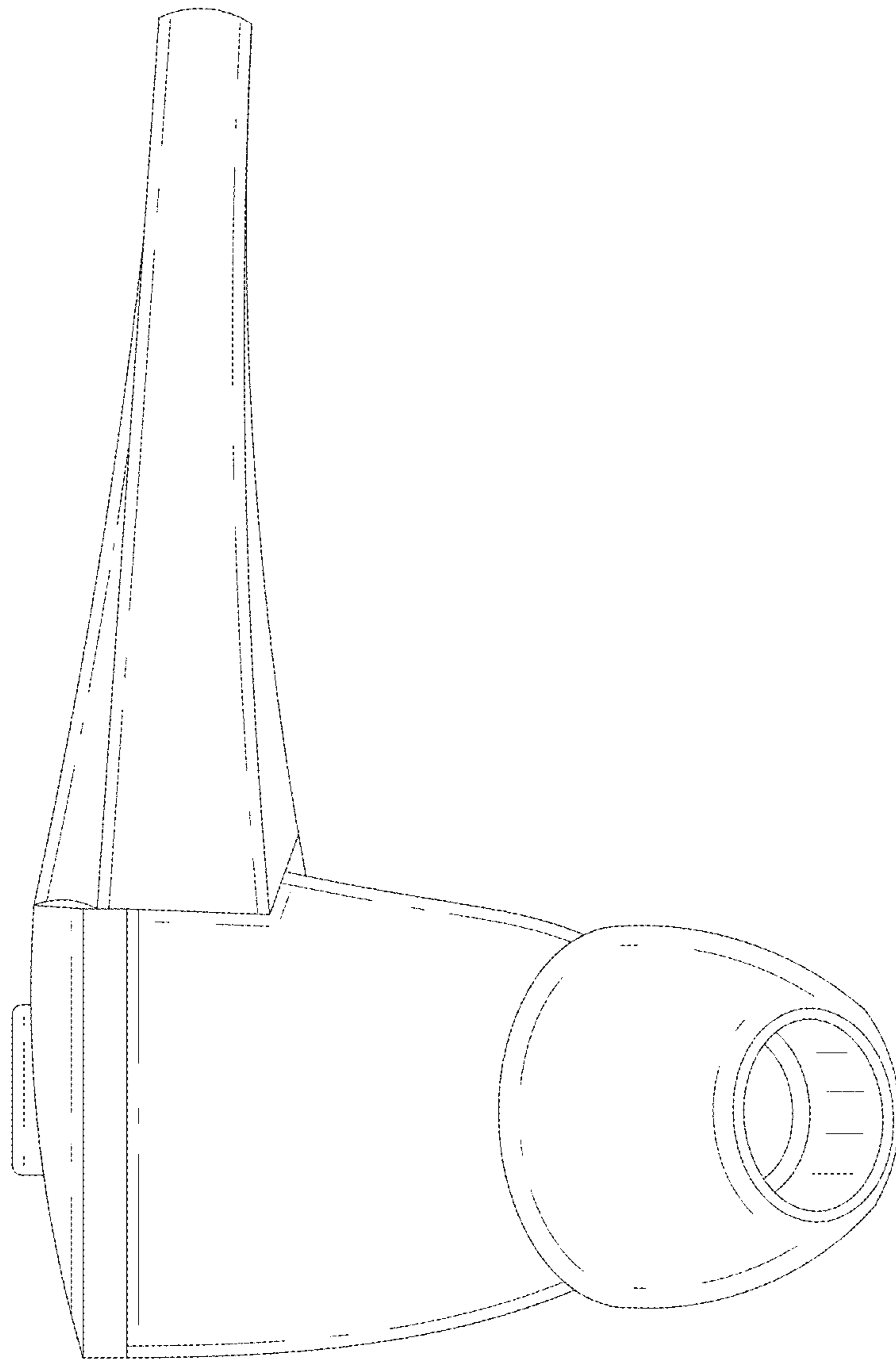


FIG. 3

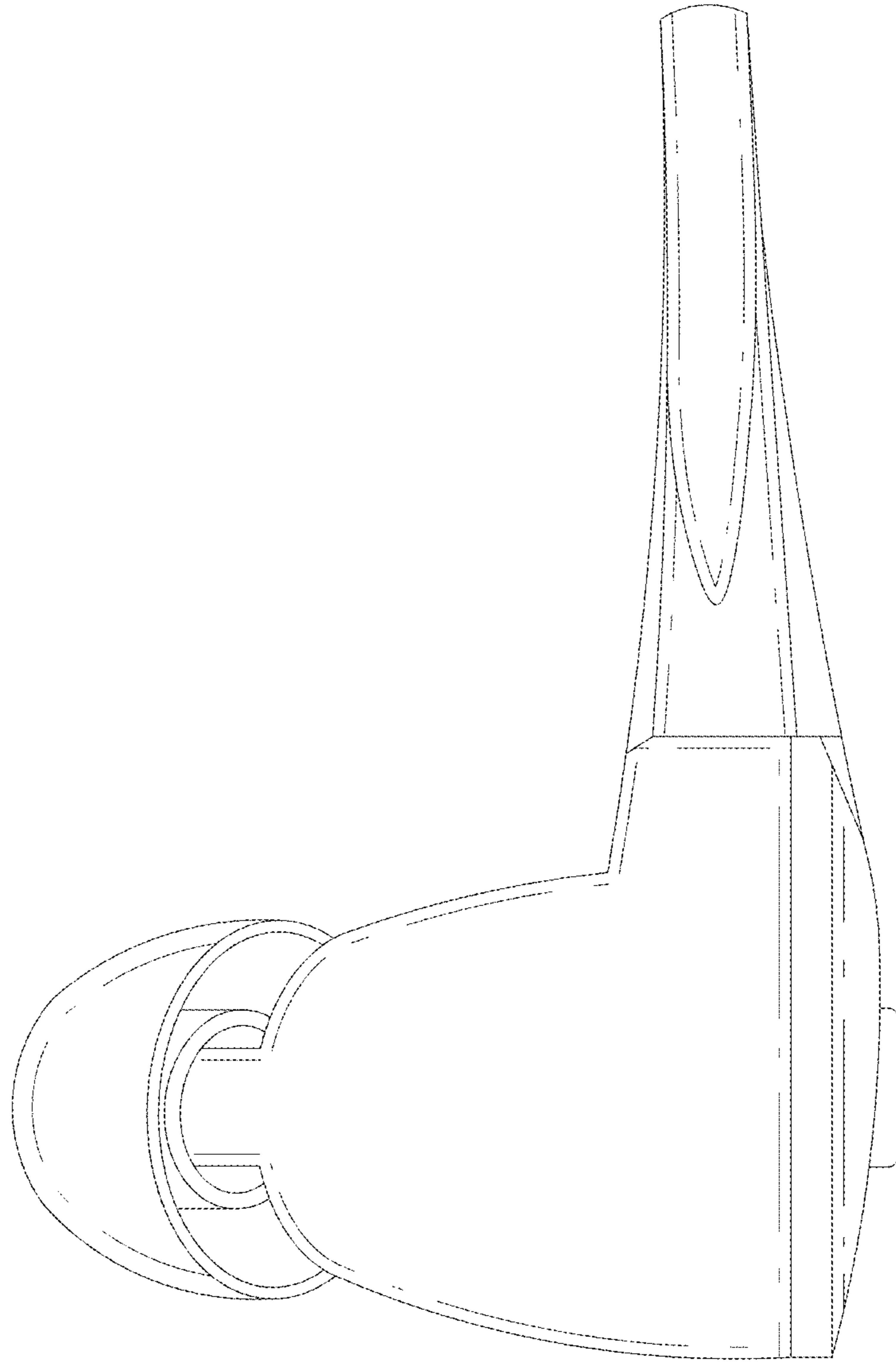


FIG. 4

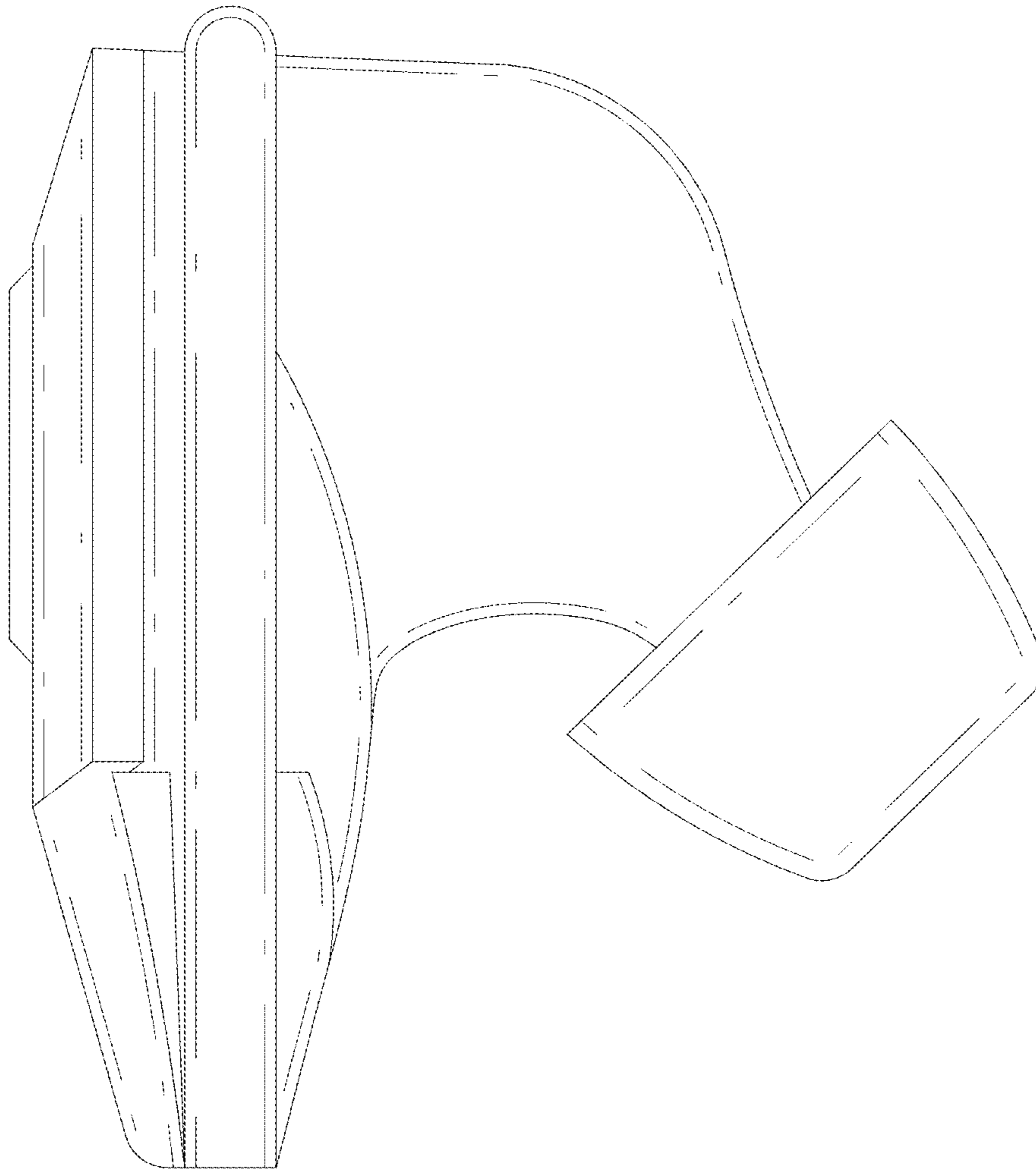


FIG. 5

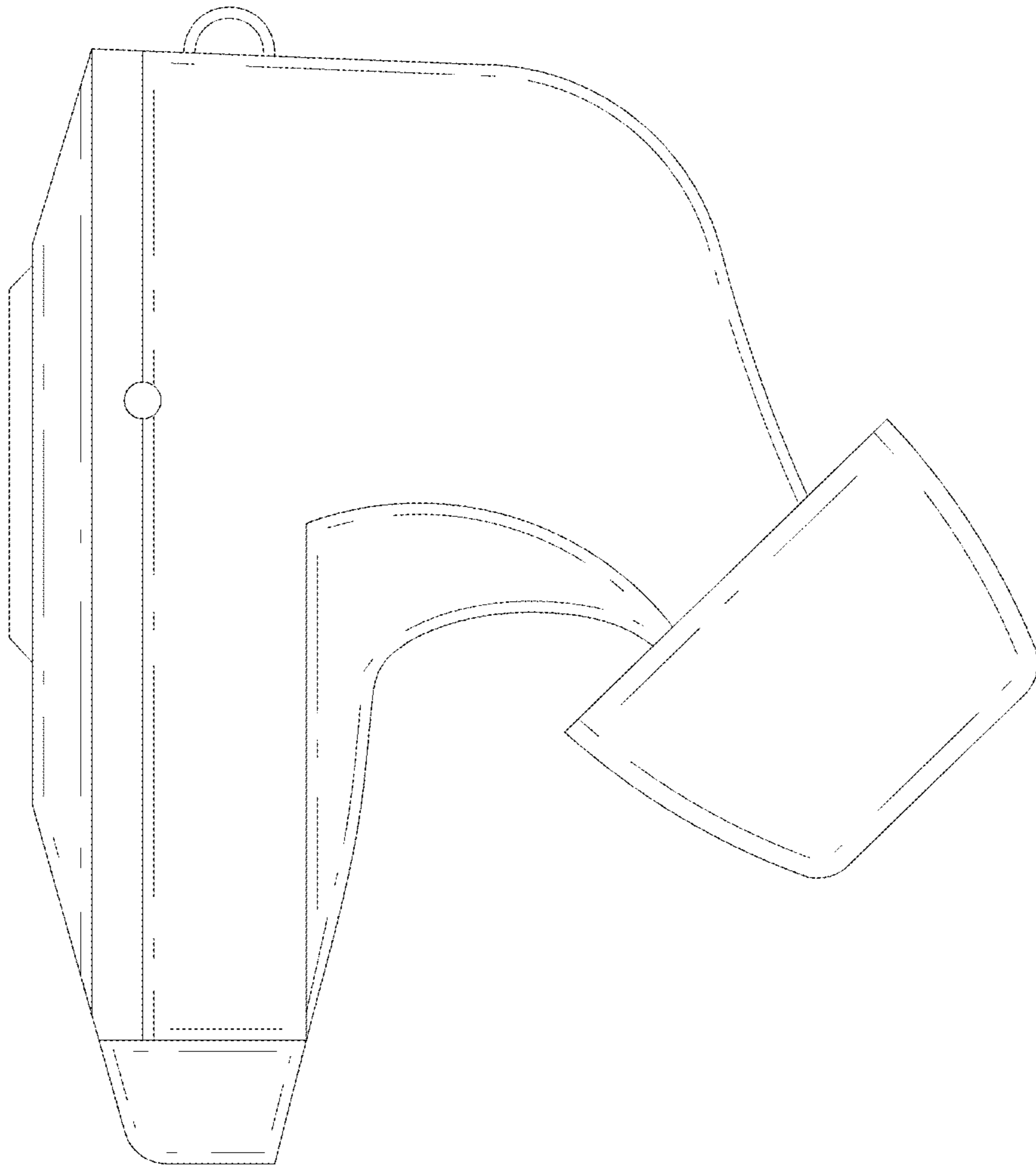


FIG. 6

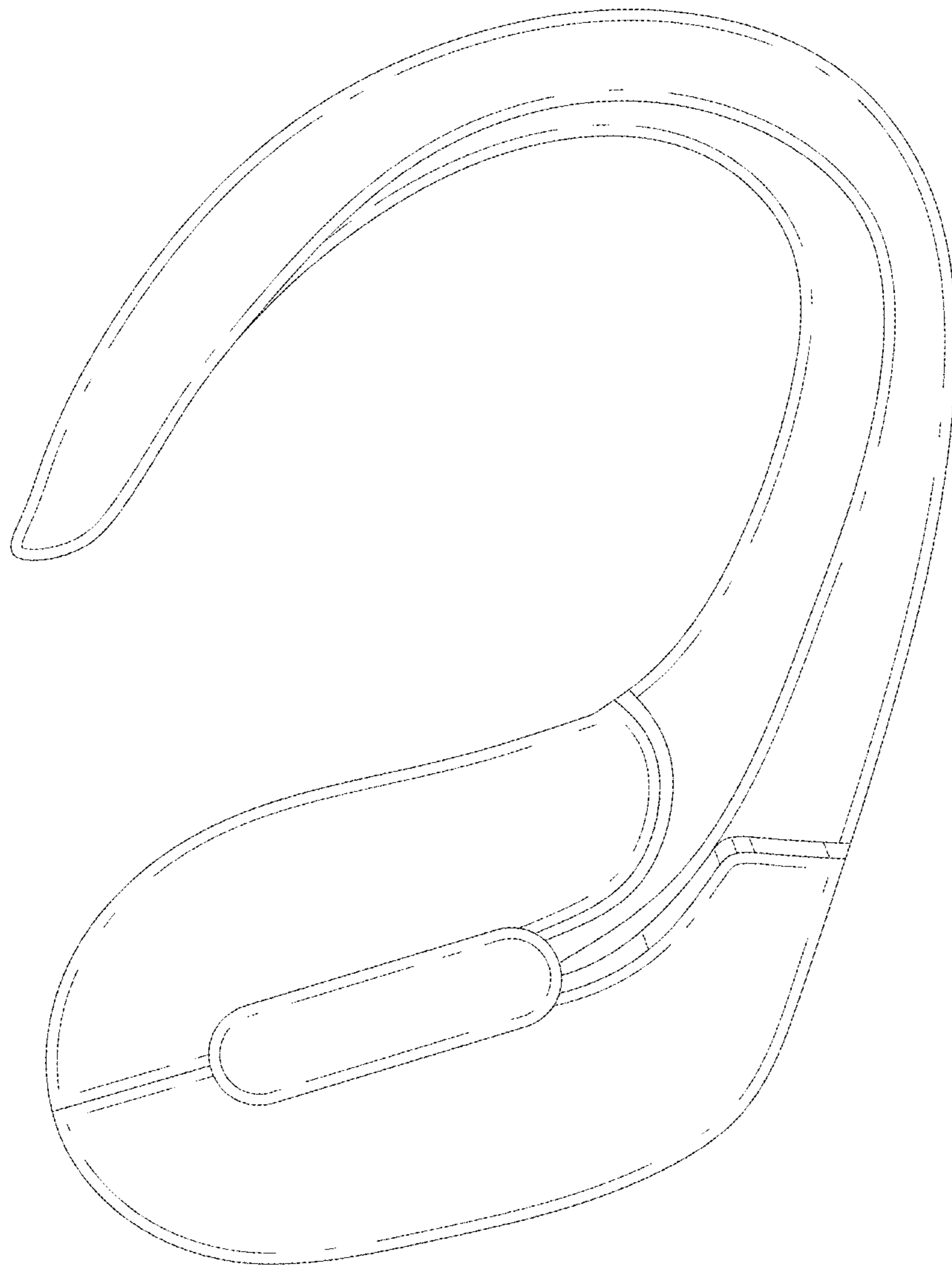


FIG. 7

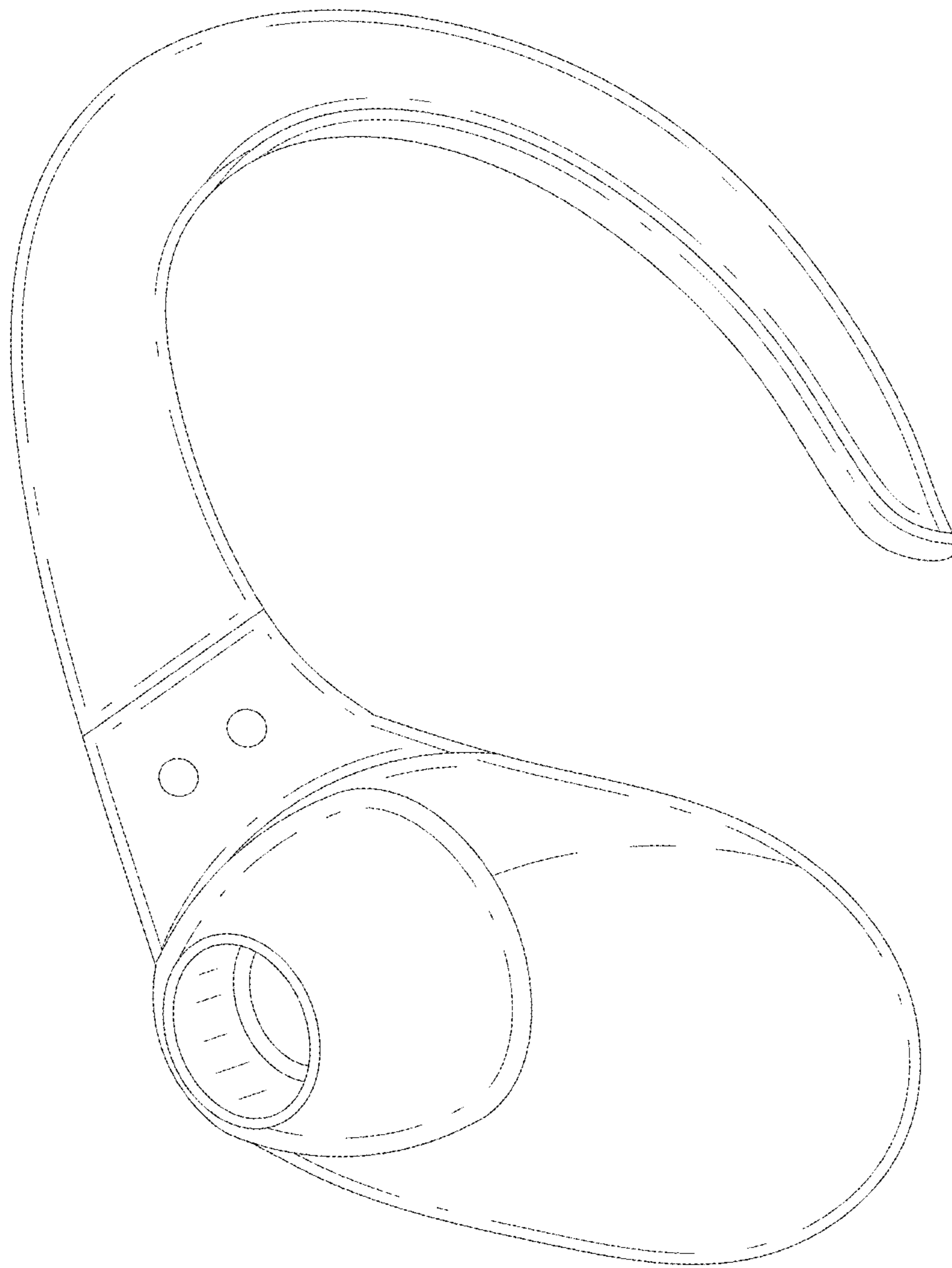


FIG. 8

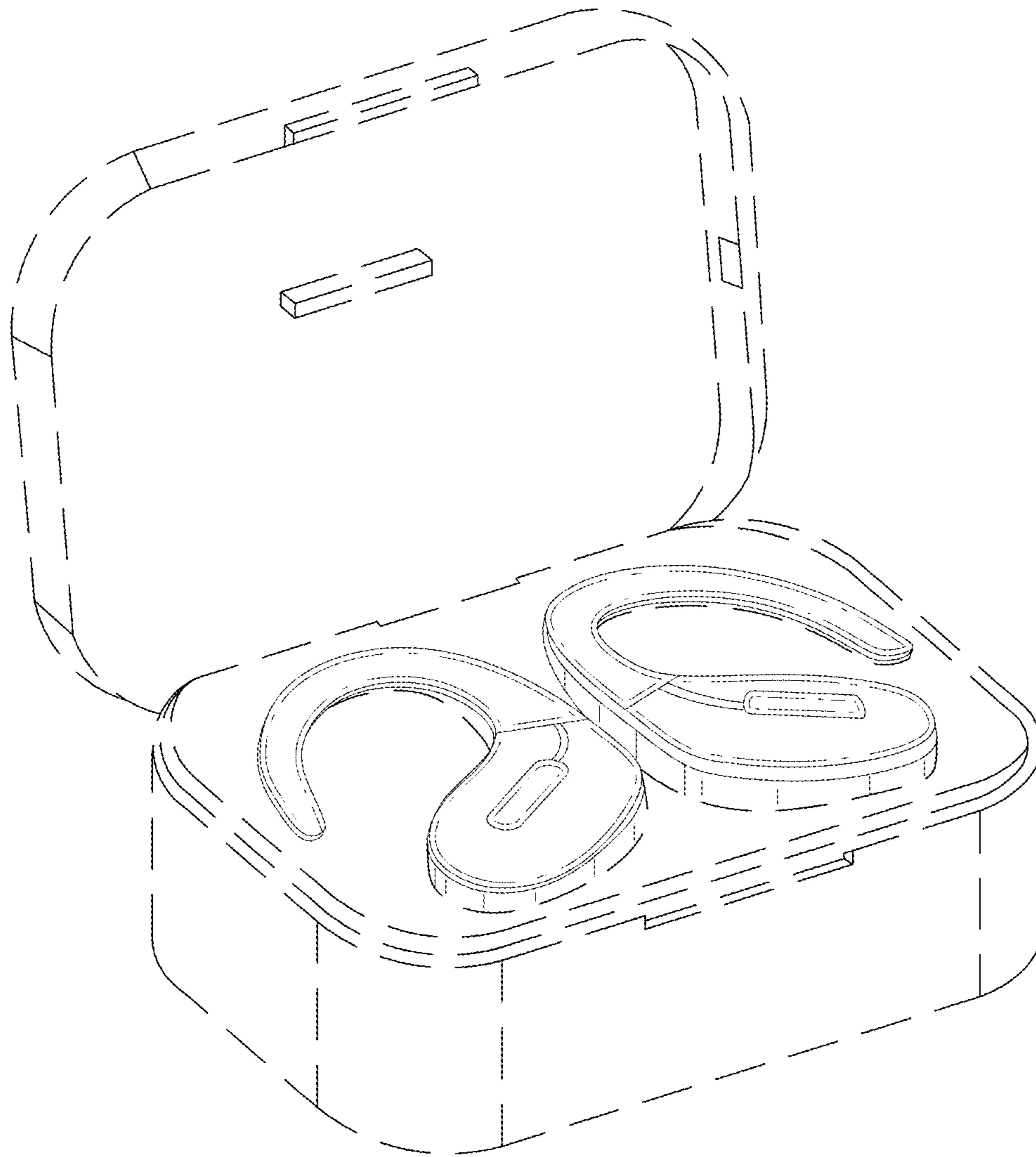


FIG. 9