



US00D909343S

(12) **United States Design Patent**  
**Newman**

(10) **Patent No.:** **US D909,343 S**

(45) **Date of Patent:** **\*\* Feb. 2, 2021**

- (54) **SPEAKER SOUND DIVERTER**
- (71) Applicant: **Bret Arden Newman**, Columbus, OH (US)
- (72) Inventor: **Bret Arden Newman**, Columbus, OH (US)
- (\*\*) Term: **15 Years**
- (21) Appl. No.: **29/679,635**
- (22) Filed: **Feb. 7, 2019**
- (51) **LOC (13) Cl.** ..... **14-01**
- (52) **U.S. Cl.**  
USPC ..... **D14/221**
- (58) **Field of Classification Search**  
USPC ..... D14/221, 224, 205, 250, 240, 354, 432; 181/136, 129; 381/377, 349, 352, 160, 381/388, 322, 320, 328, 386; D24/175; D8/301, 313; D20/8; D11/122; D6/545; D27/137, 176; 455/90.3, 575.1, 569.1; D3/318, 319  
CPC . H04R 25/00; H04R 1/20; H04R 1/02; H04R 7/00; H04R 1/028; H04R 1/345; H05K 5/00; A61F 11/008  
See application file for complete search history.

- (56) **References Cited**  
U.S. PATENT DOCUMENTS  
1,708,257 A \* 4/1929 Campbell ..... A61F 11/008 181/136  
1,761,666 A \* 6/1930 Hinternesch ..... A61F 11/008 181/133  
1,828,151 A \* 10/1931 Neff ..... A61F 11/008 181/136  
2,469,254 A \* 5/1949 Bankson ..... A61F 11/008 181/136  
3,192,894 A \* 7/1965 Staver ..... A47K 5/05 401/6  
3,618,698 A \* 11/1971 McCabe ..... A61F 11/008 181/136

- D227,235 S \* 6/1973 Miller ..... D8/354
- 3,938,616 A \* 2/1976 Brownfield ..... A61F 11/008 181/136
- D244,467 S \* 5/1977 Aquilino ..... D24/175
- D286,873 S \* 11/1986 Ikeda ..... D14/205
- D292,916 S \* 11/1987 Ikeda ..... 181/129
- 4,771,859 A \* 9/1988 Breland ..... A61F 11/008 181/129
- 4,928,788 A \* 5/1990 Erickson ..... H04R 1/025 181/141
- D310,530 S \* 9/1990 McGuire ..... D14/205
- 5,020,629 A \* 6/1991 Edmundson ..... A61F 11/008 181/129
- D349,095 S \* 7/1994 Gorenz, Jr. .... D13/103
- 5,345,512 A \* 9/1994 Lee ..... H04R 1/1066 181/136

(Continued)

*Primary Examiner* — Paula Allen Greene  
(74) *Attorney, Agent, or Firm* — Quickpatents, LLC; Kevin Prince

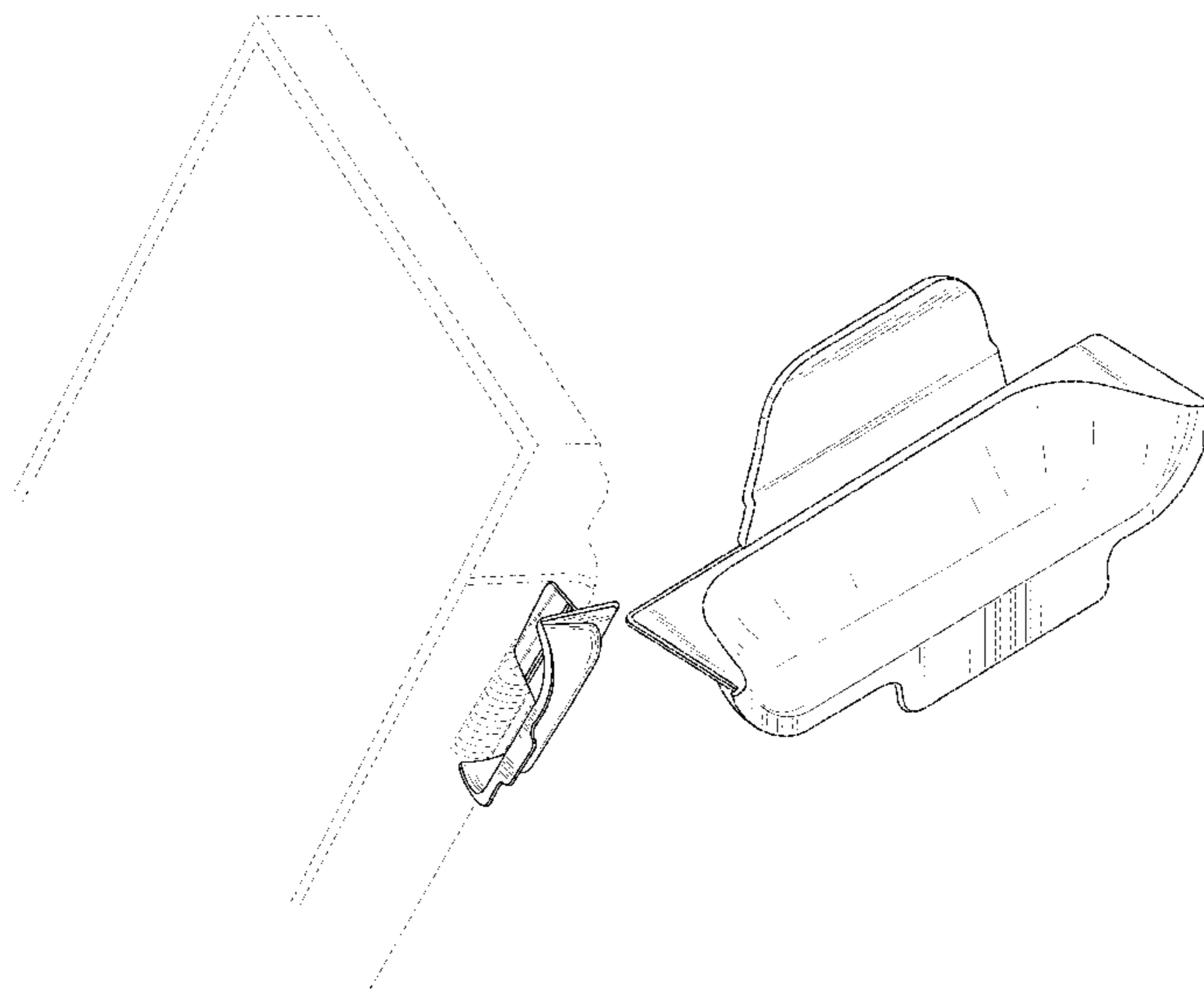
(57) **CLAIM**

The ornamental design for a speaker sound diverter, as shown and described.

**DESCRIPTION**

FIG. 1 is a bottom perspective view of a speaker sound diverter showing my new design; FIG. 2 is a top perspective view of FIG. 1; FIG. 3 is a front elevational view of FIG. 1; FIG. 4 is a rear elevational view of FIG. 1; FIG. 5 is a right-side elevational view of FIG. 1, the left-side elevational view being a mirror image thereof; FIG. 6 is a top plan view of FIG. 1; FIG. 7 is a bottom plan view of FIG. 1; and, FIG. 8 is a cross sectional view thereof, taken along line 8-8 of FIG. 3.  
The broken lines depict environment that forms no part of the claimed design.

**1 Claim, 5 Drawing Sheets**



(56)

**References Cited**

U.S. PATENT DOCUMENTS

5,468,922 A \* 11/1995 Hanba ..... H04R 5/023  
 181/150  
 D373,248 S \* 9/1996 Wang ..... D3/318  
 5,661,270 A \* 8/1997 Bozorgi-Ram ..... A61F 11/008  
 181/129  
 5,689,574 A \* 11/1997 Heirich ..... G06F 1/1605  
 381/300  
 D397,118 S 8/1998 Keating  
 5,965,850 A \* 10/1999 Fraser ..... A61F 11/008  
 181/129  
 D420,008 S \* 2/2000 Lohrding ..... D13/147  
 6,760,460 B1 \* 7/2004 Jeon ..... H04N 5/642  
 181/198  
 7,035,419 B2 \* 4/2006 Yu ..... H04R 1/2896  
 181/172  
 D552,085 S \* 10/2007 Andre ..... D14/217

D598,024 S \* 8/2009 Scott ..... D14/432  
 D674,375 S \* 1/2013 Robineau ..... D14/221  
 8,731,219 B2 \* 5/2014 Weiss ..... G10K 11/28  
 381/160  
 9,004,434 B2 \* 4/2015 Kang ..... H04M 1/04  
 248/316.4  
 D728,535 S 5/2015 Degenkolb  
 D745,492 S \* 12/2015 Miki ..... D14/221  
 D750,048 S \* 2/2016 Miki ..... D14/221  
 D750,599 S \* 3/2016 Miki ..... D14/221  
 D752,559 S \* 3/2016 Miki ..... D14/221  
 D752,560 S \* 3/2016 Miki ..... D14/221  
 D752,561 S \* 3/2016 Miki ..... D14/221  
 9,510,072 B2 11/2016 Newman  
 D851,697 S \* 6/2019 Qiu ..... D18/4.6  
 10,491,975 B2 \* 11/2019 Graff ..... H04R 1/28  
 2012/0241247 A1 9/2012 Choe  
 2013/0004012 A1 \* 1/2013 Huang ..... A45C 11/00  
 381/388

\* cited by examiner

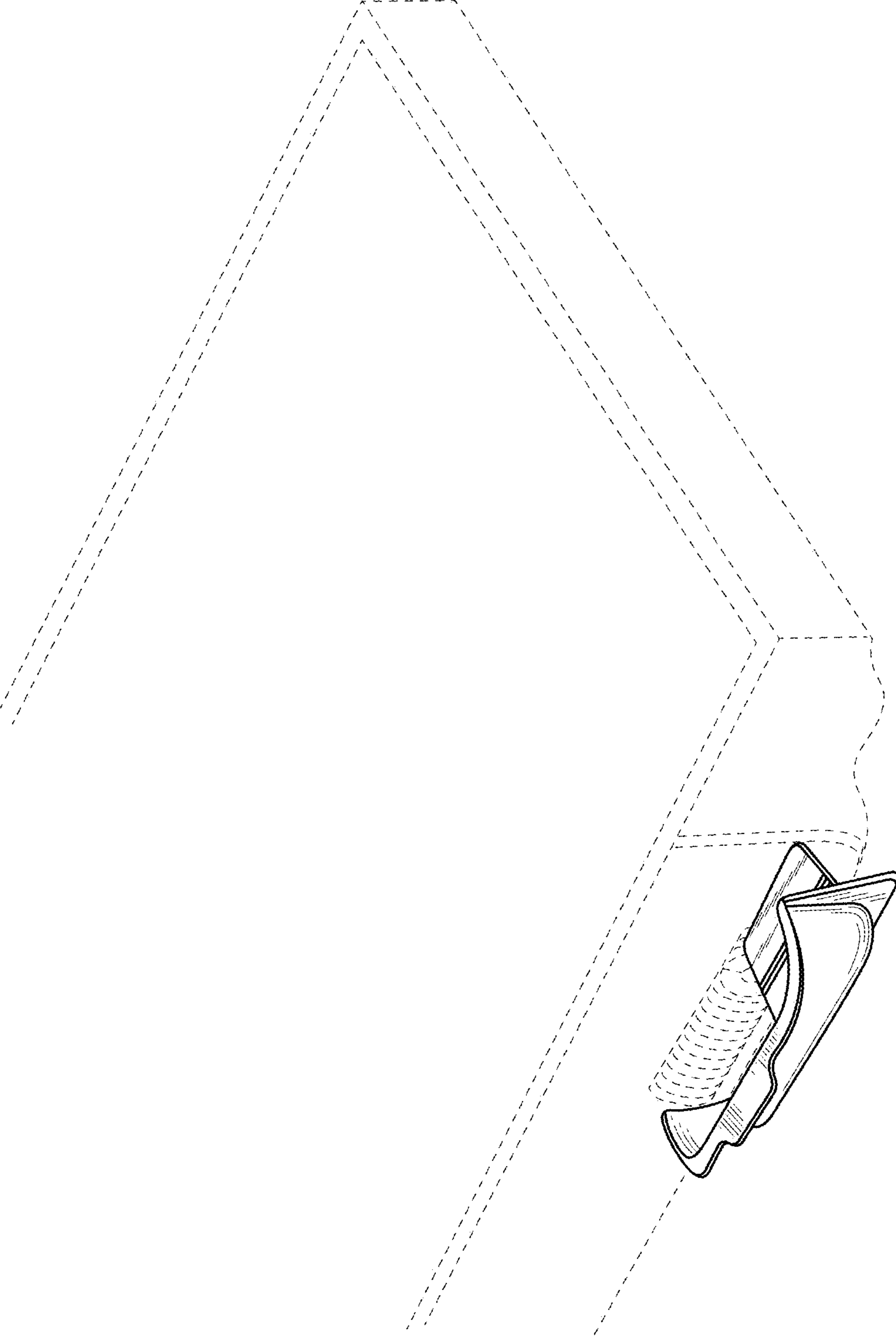


FIG. 1

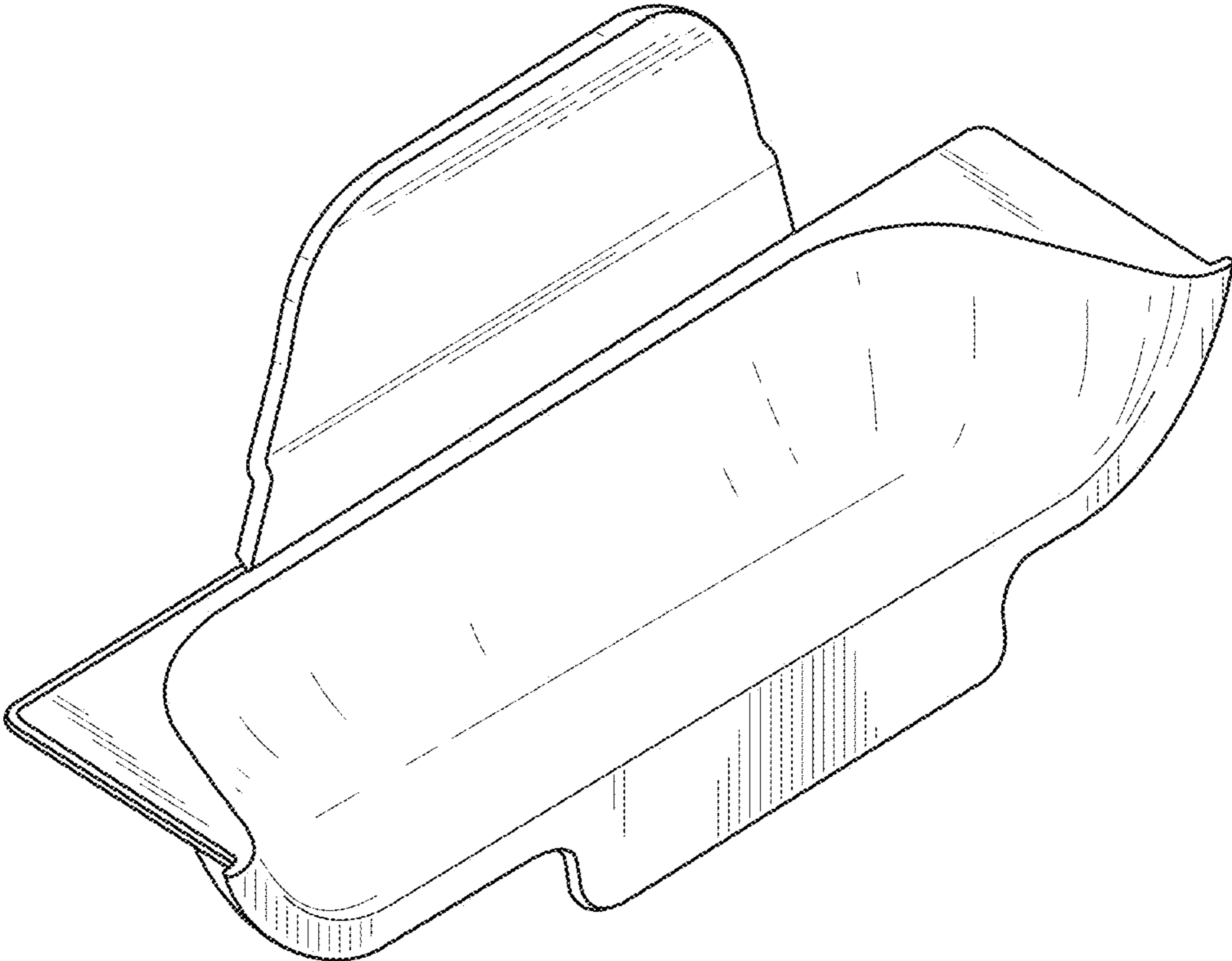


FIG. 2

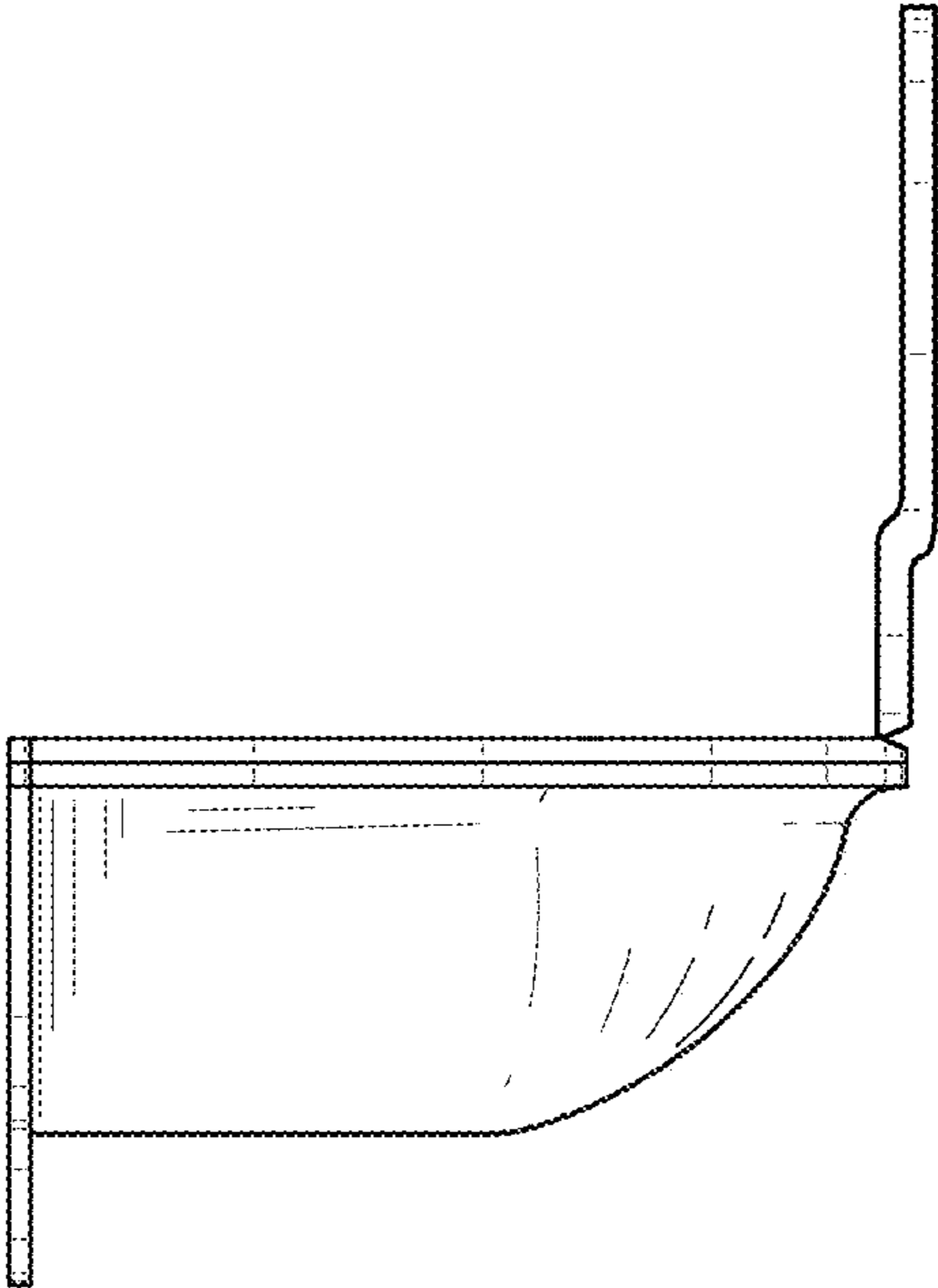
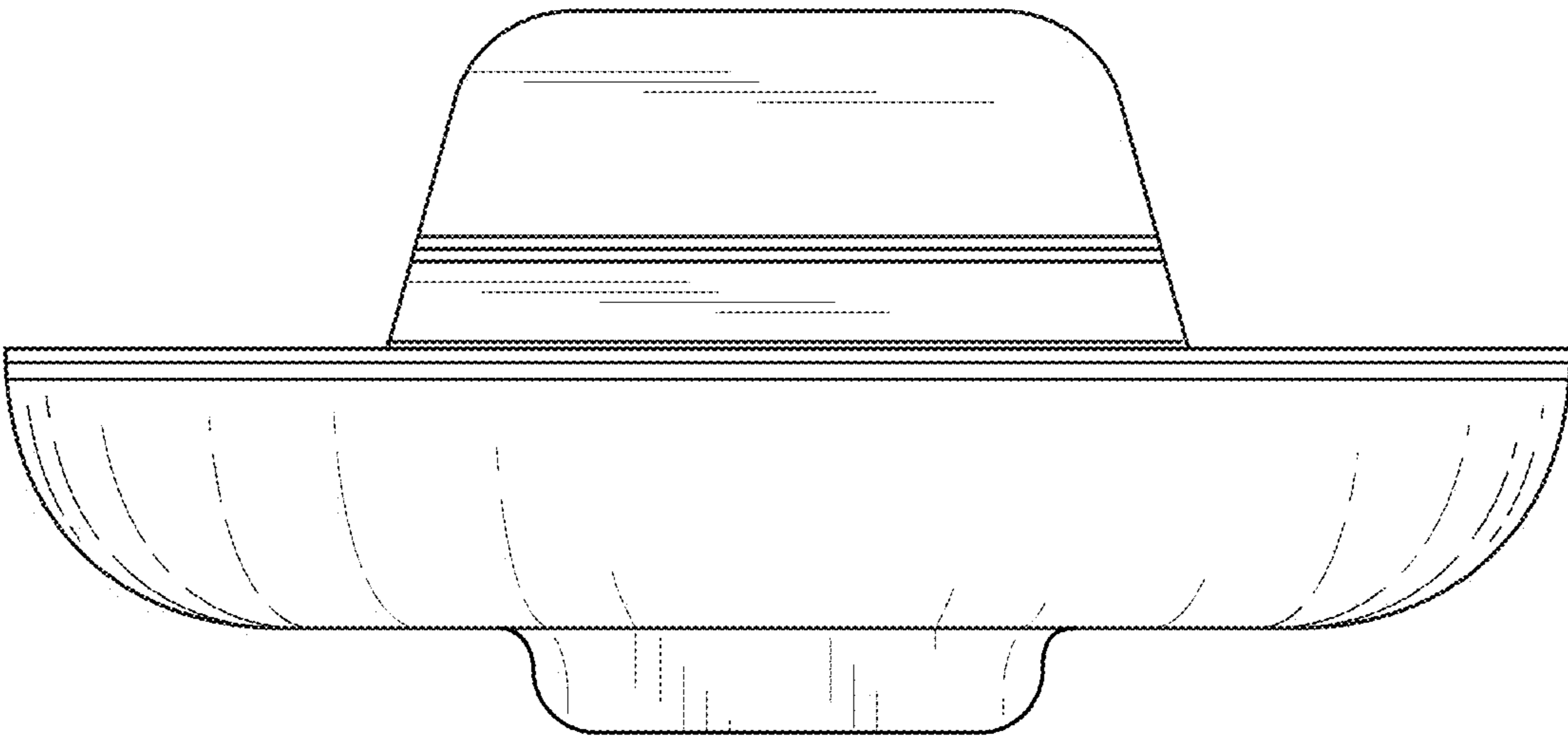
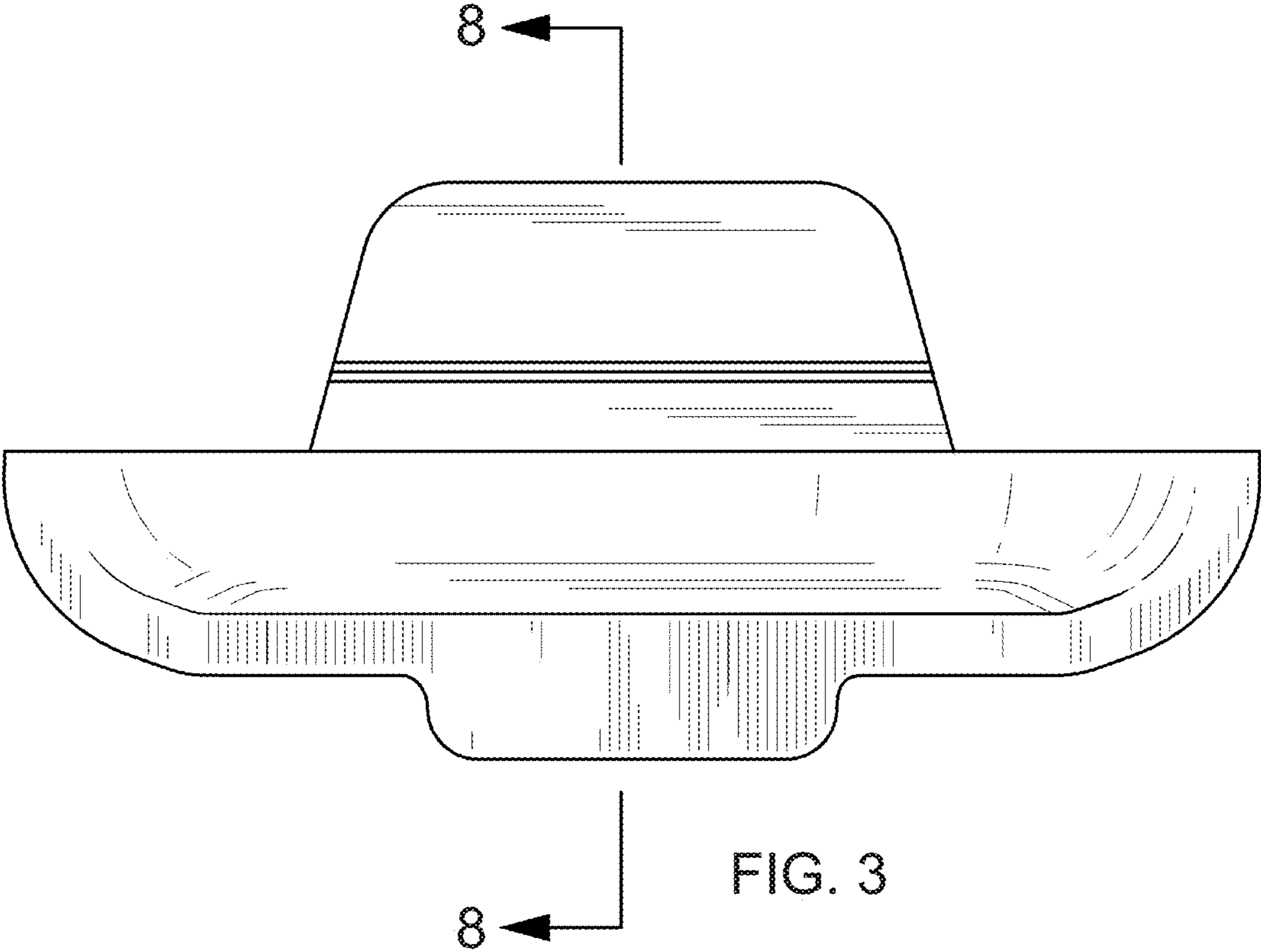


FIG. 5



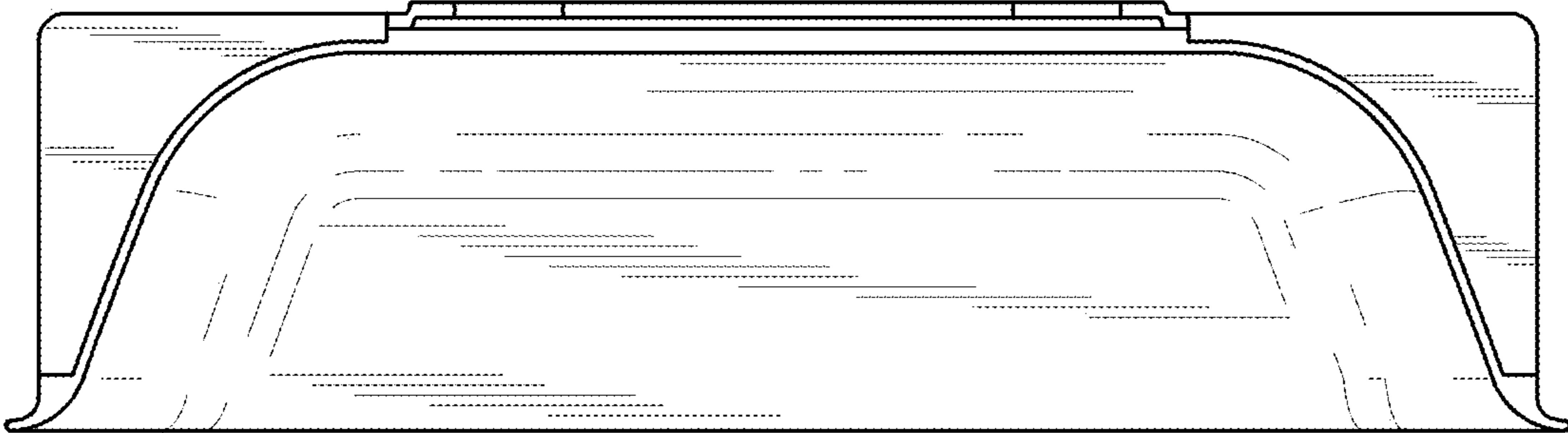


FIG. 6

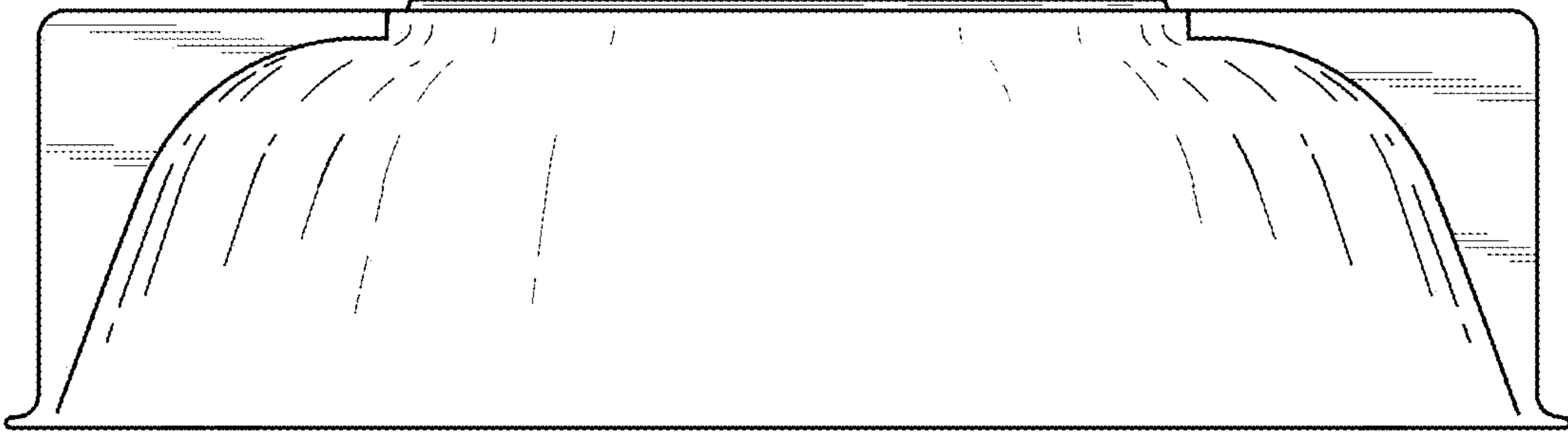


FIG. 7

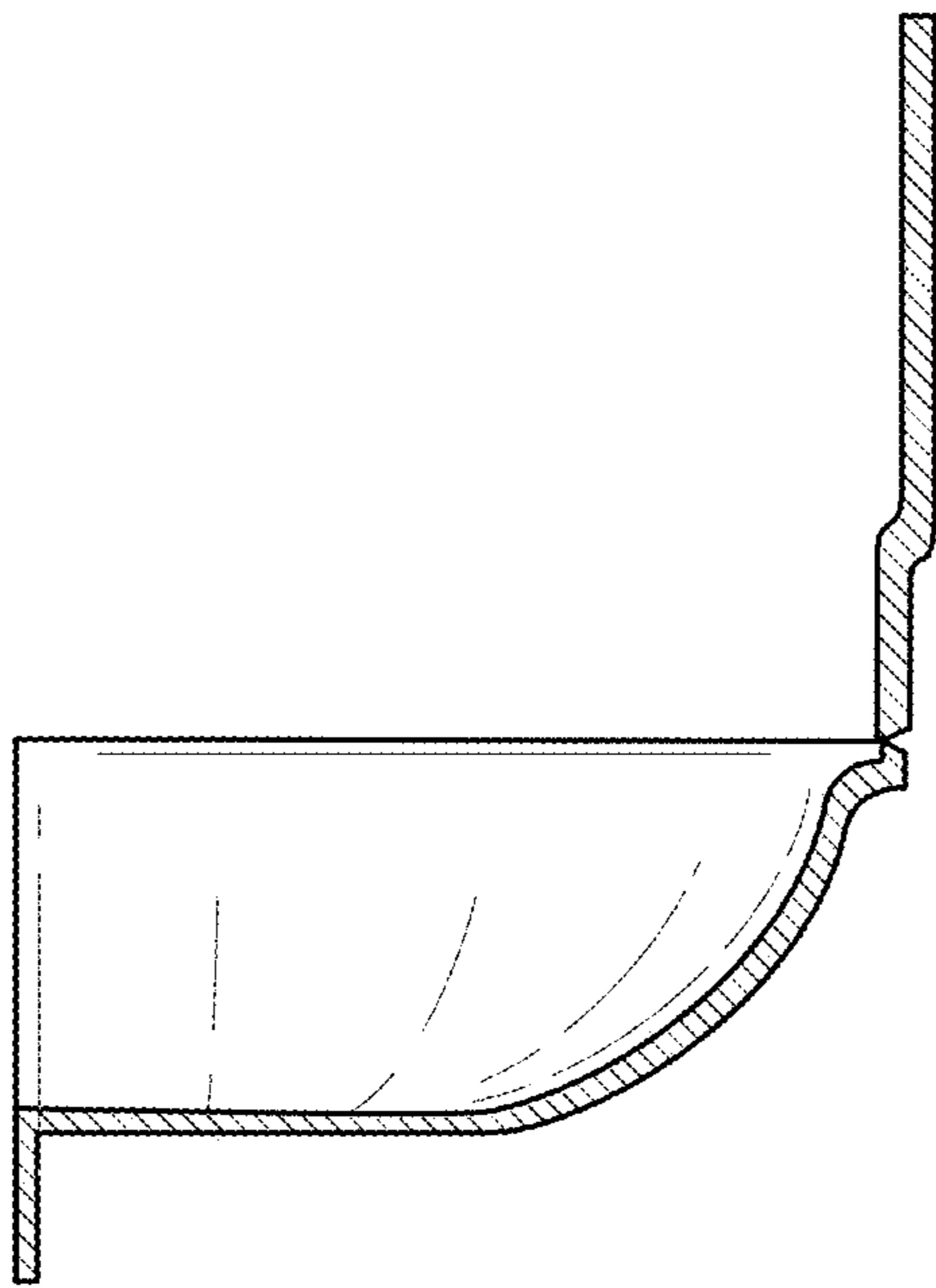


FIG. 8