



US00D909342S

(12) **United States Design Patent**
Herndon

(10) **Patent No.:** **US D909,342 S**
(45) **Date of Patent:** **** Feb. 2, 2021**

- (54) **HEADSET PRIVACY SHIELD**
- (71) Applicant: **Eddie Herndon**, Sharpsburg, GA (US)
- (72) Inventor: **Eddie Herndon**, Sharpsburg, GA (US)
- (**) Term: **15 Years**
- (21) Appl. No.: **29/688,546**
- (22) Filed: **Apr. 23, 2019**
- (51) **LOC (13) Cl.** **14-03**
- (52) **U.S. Cl.**
USPC **D14/217**
- (58) **Field of Classification Search**
USPC D14/204–229, 154, 155, 158, 159
CPC H04R 1/016; H04R 1/1091; H04R 1/1041;
H04R 24/007; H04R 5/033; H04R 5/04;
H04R 1/08; H04R 1/1008; H04R 1/403;
H04R 2201/107; H04R 2460/13; H04R
2499/11; H04R 2499/13; H04R 25/552;
H04R 29/00; H04R 3/005; H04R 3/04;
H04R 3/12; H04R 5/027; H03K
19/17728; H03K 19/1776; H03K
3/556113; H03M 13/00; H04J 11/003;
H04M 1/04; H04M 1/215; H04M 1/725;
H04M 1/72522; H04M 1/72561; H04M
2203/2094; H04M 3/42127; H04M
3/42263; H04M 3/42365; H04M 3/465;
H04M 3/543
See application file for complete search history.

(56) **References Cited**

U.S. PATENT DOCUMENTS

6,935,458	B2	8/2005	Owens	
8,437,491	B2	5/2013	Ward	
9,241,208	B2	1/2016	Ball	
9,525,765	B2*	12/2016	Moser	H04R 1/083
D792,377	S	7/2017	Humphreys	
D813,202	S*	3/2018	Johnson	D14/217
2007/0025576	A1*	2/2007	Wen	H04R 1/083 381/361

2008/0089546	A1*	4/2008	Ward	H04R 1/083 381/376
2008/0134402	A1	6/2008	Bailey	
2008/0304690	A1	12/2008	Poindexter	
2009/0173357	A1*	7/2009	Bonge	A45D 44/22 132/214
2010/0034412	A1	2/2010	Parda	
2010/0185432	A1*	7/2010	Almagro	H04R 5/033 704/2
2013/0174381	A1	7/2013	McClellan	
2015/0182765	A1*	7/2015	Saco	A41D 13/1161 128/863
2016/0255432	A1*	9/2016	Casso Villareal	H04R 1/105 381/375
2016/0293065	A1	10/2016	Cunningham	
2017/0070798	A1	3/2017	Arnold	

FOREIGN PATENT DOCUMENTS

WO 2009029667 3/2009

* cited by examiner

Primary Examiner — Khawaja Anwar

(57) **CLAIM**

I claim the ornamental design for a headset privacy shield, as shown and described.

DESCRIPTION

FIG. 1 is a front view of the headset privacy shield. FIG. 2 is a rear view of the claimed design. FIG. 3 is a right side view of the claimed design. FIG. 4 is a left side view of the claimed design. FIG. 5 is a top view of the claimed design. FIG. 6 is a bottom view of the claimed design; and, FIG. 7 is a perspective view of the claimed design in use with a headset. The broken lines appearing in FIG. 7 of a headset are environmental matter and form no part of the claimed design.

1 Claim, 5 Drawing Sheets

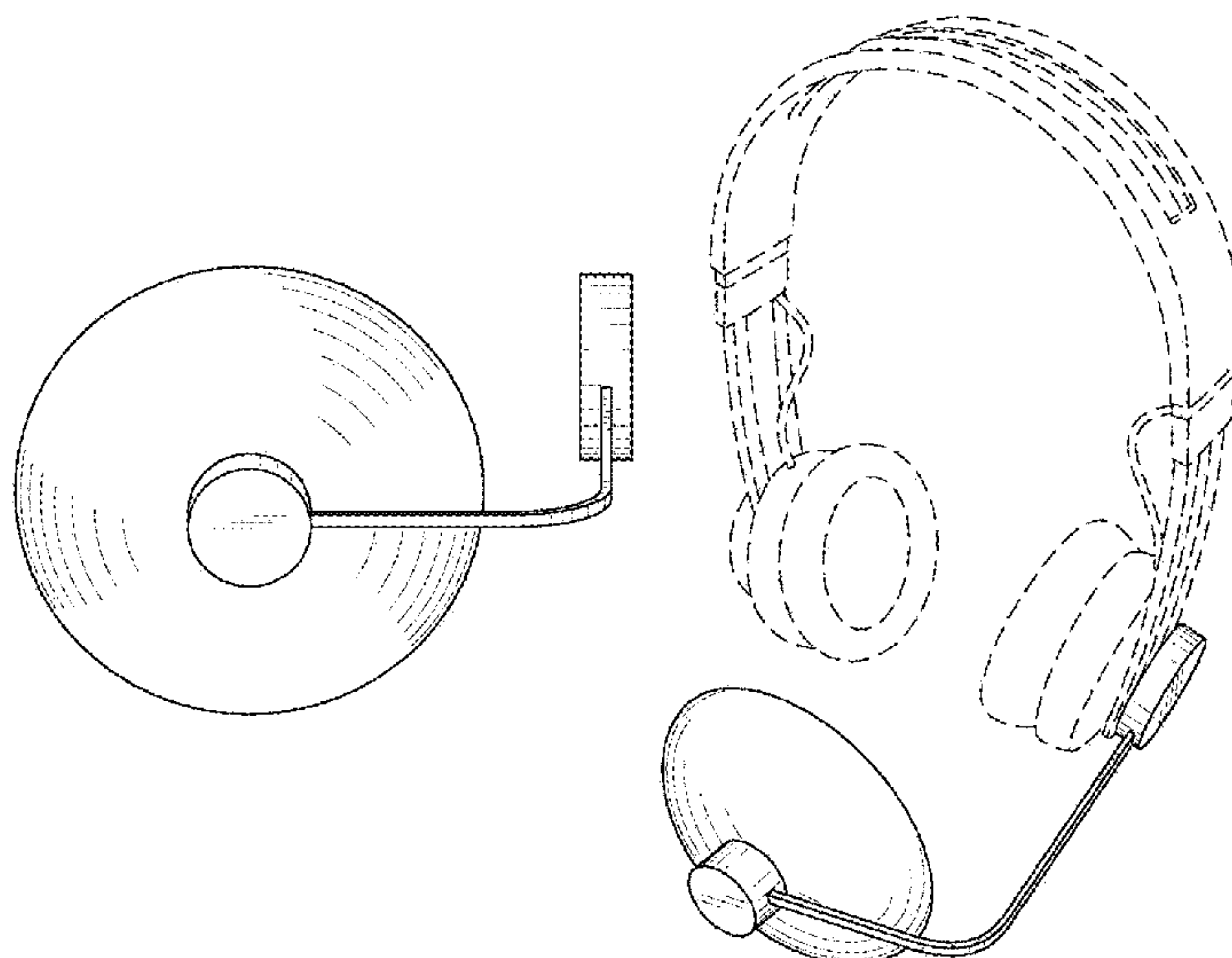


FIG. 1

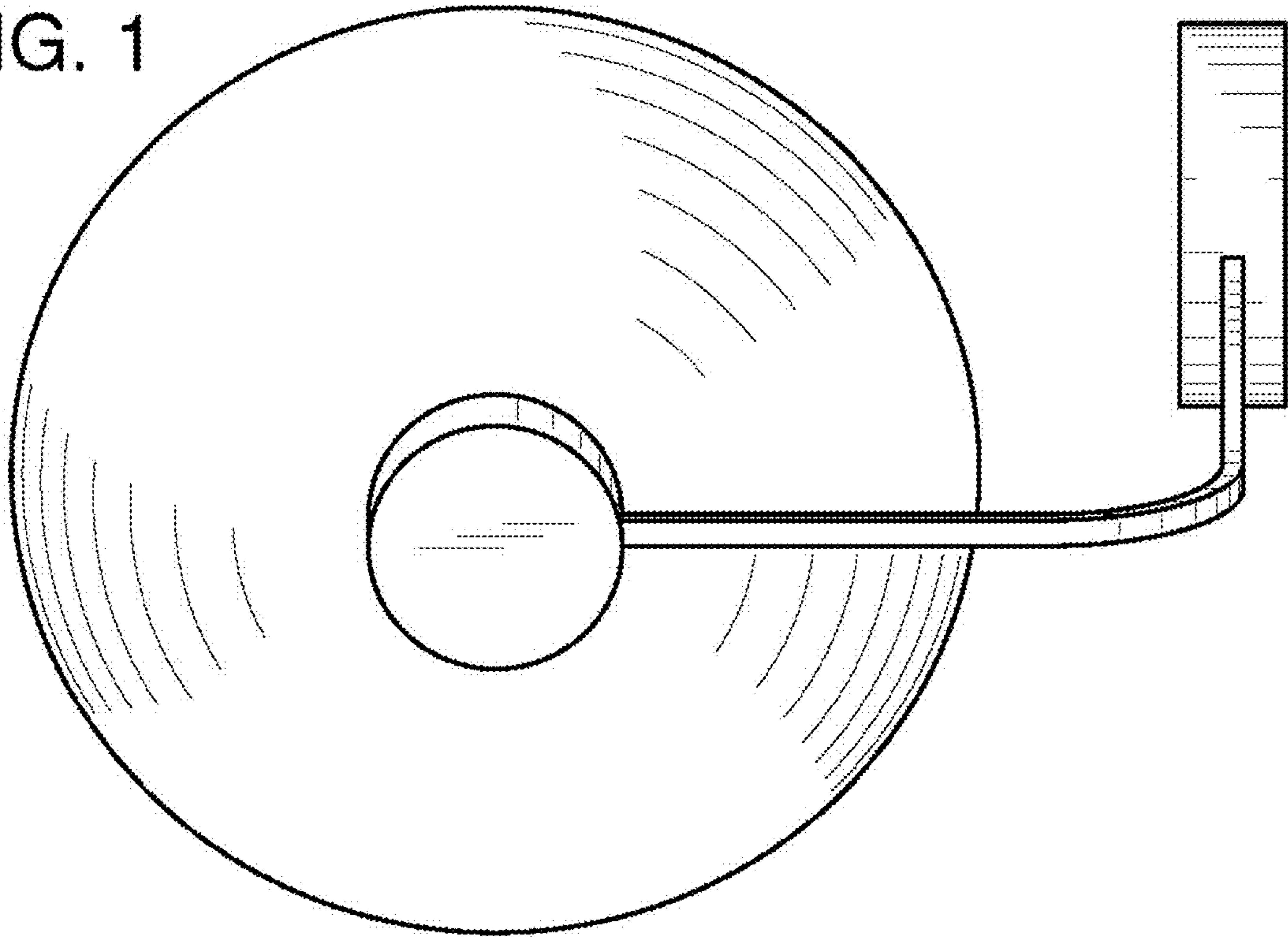
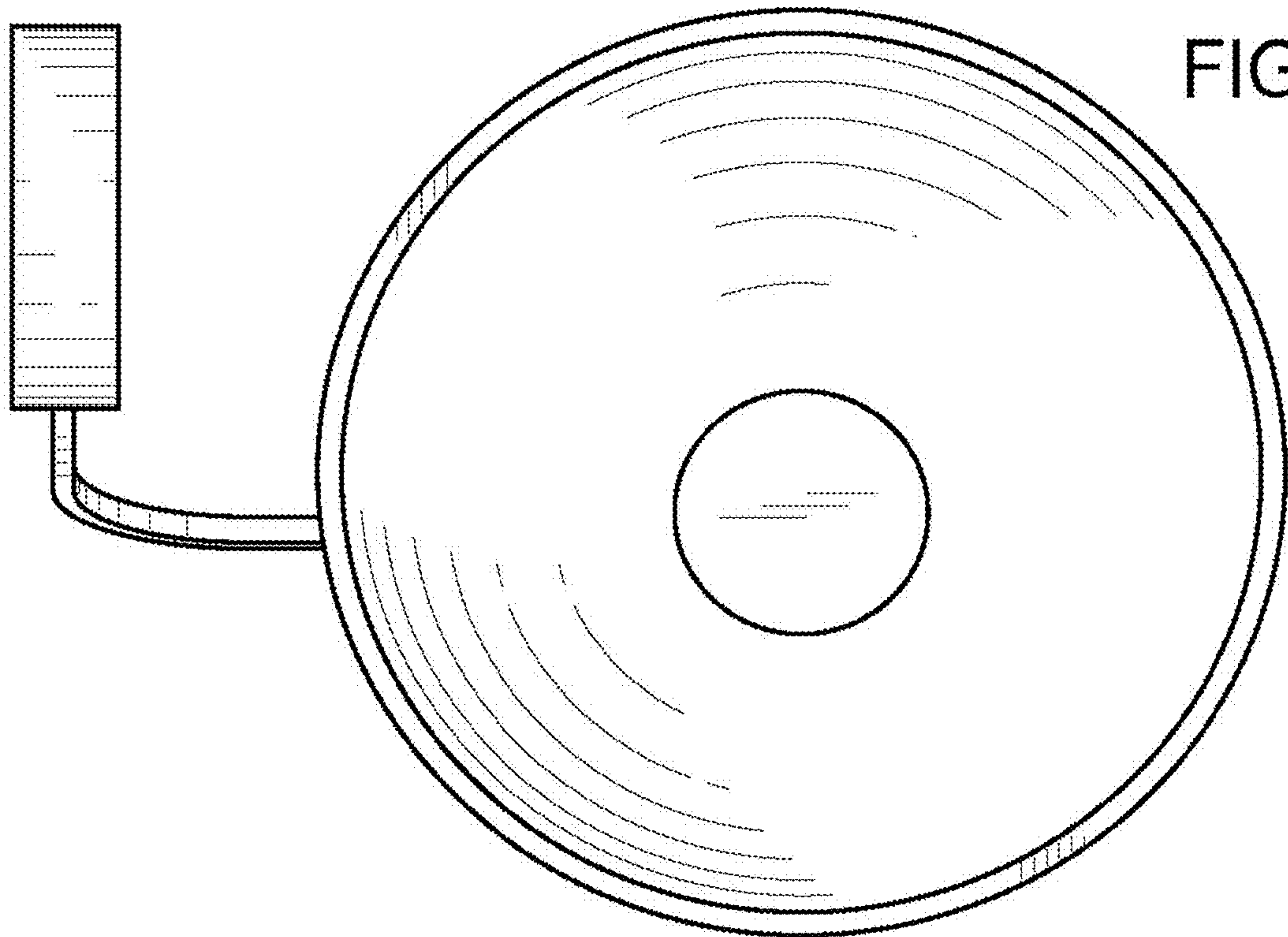


FIG. 2



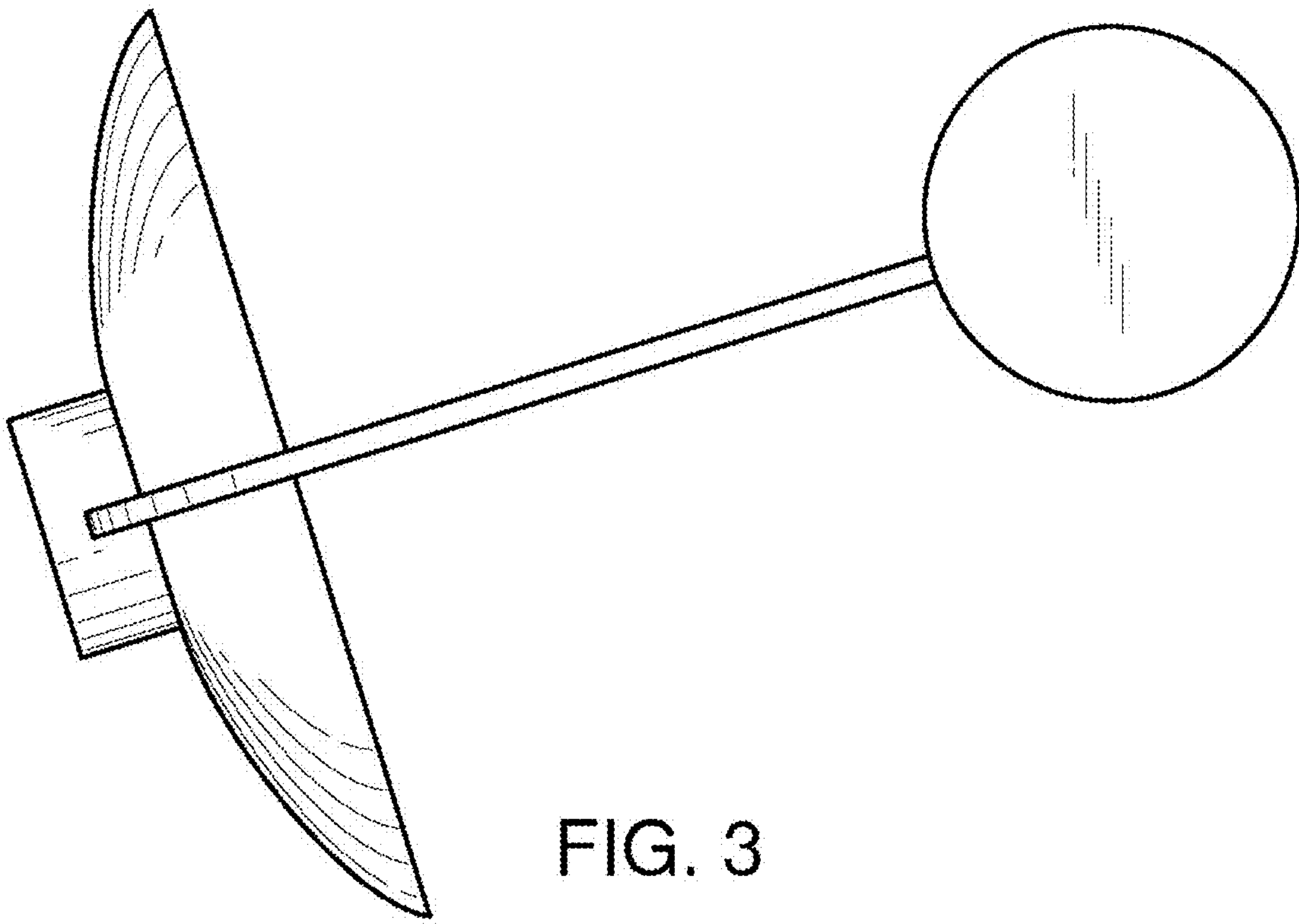


FIG. 3

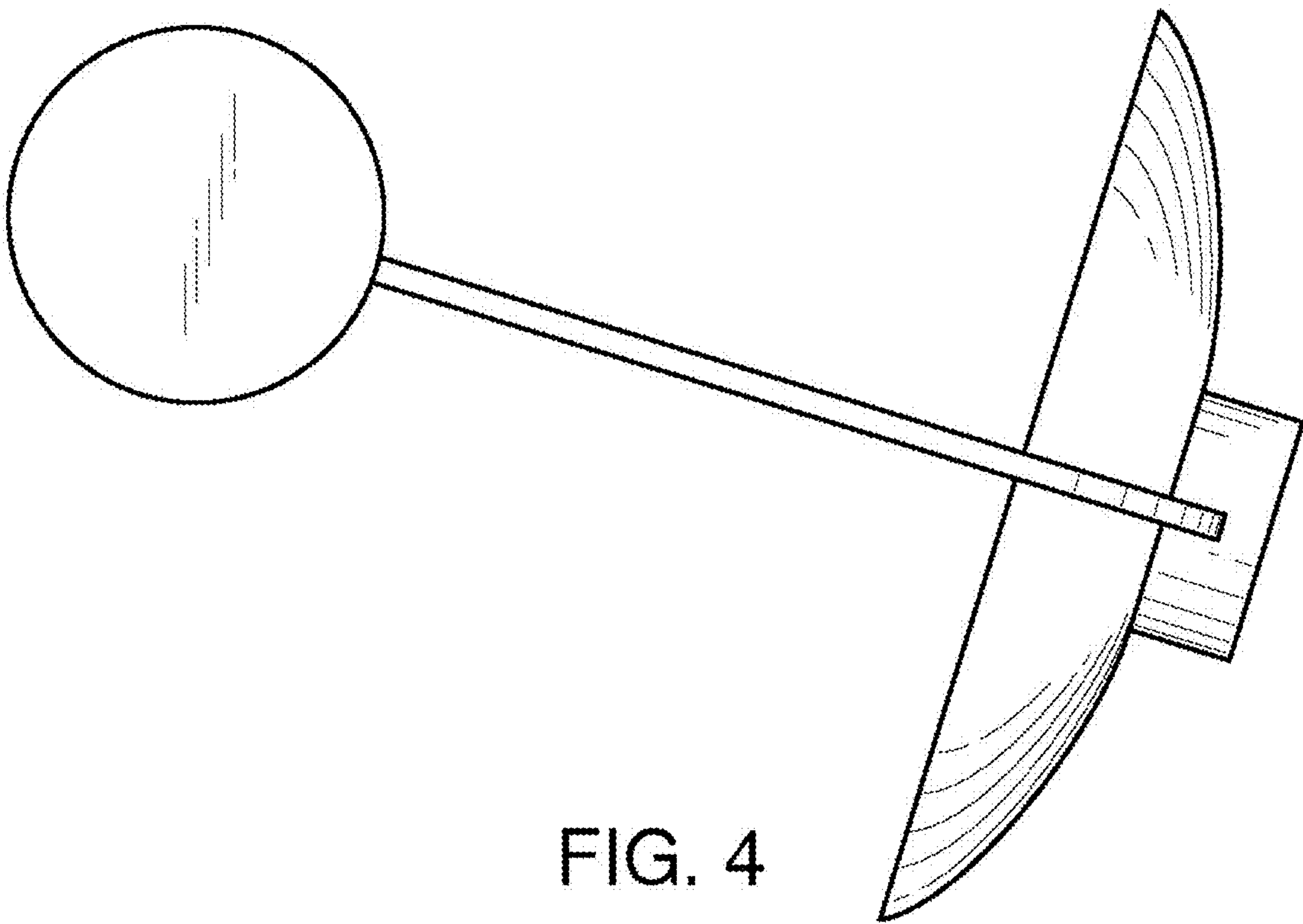


FIG. 4

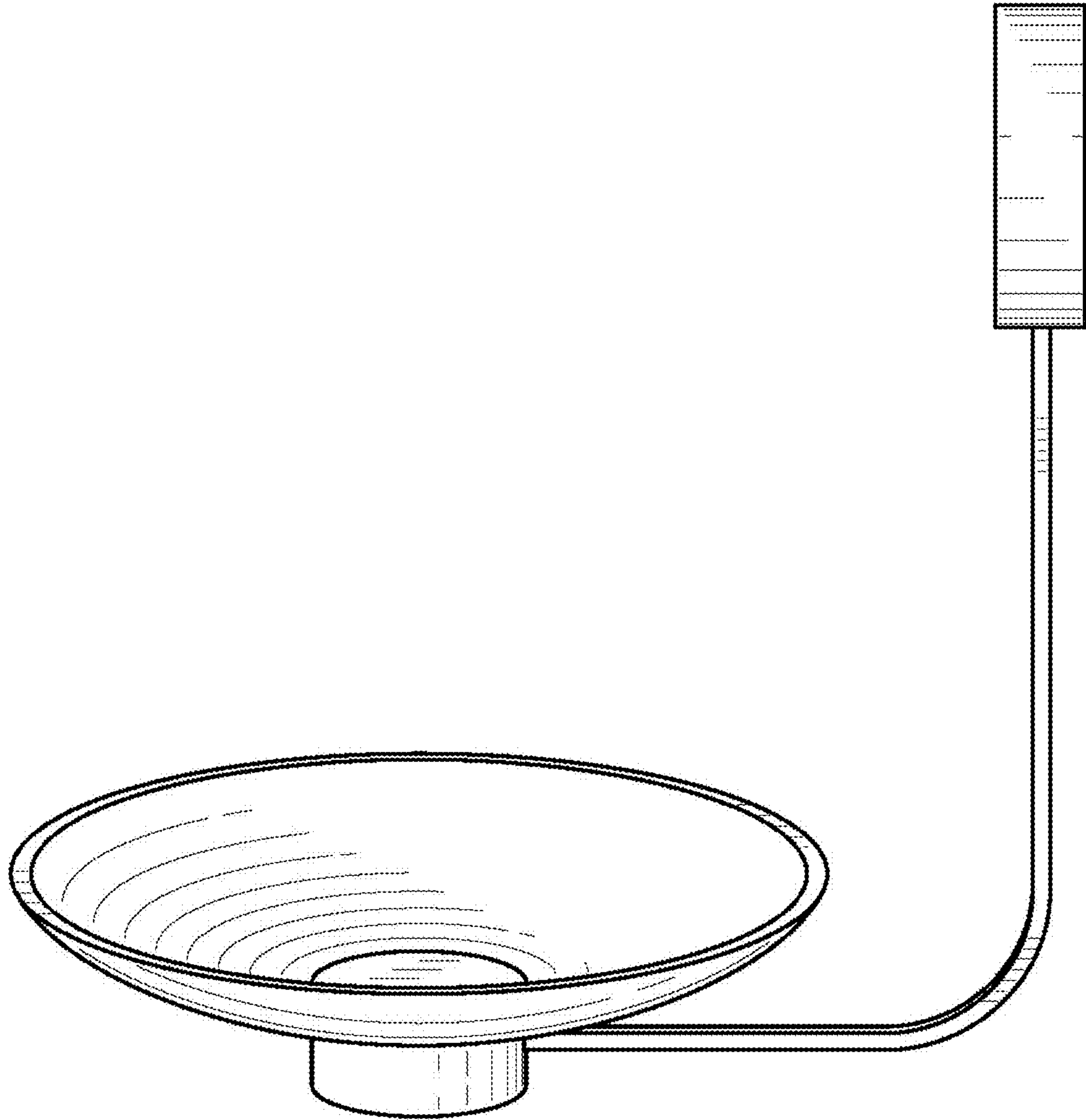


FIG. 5

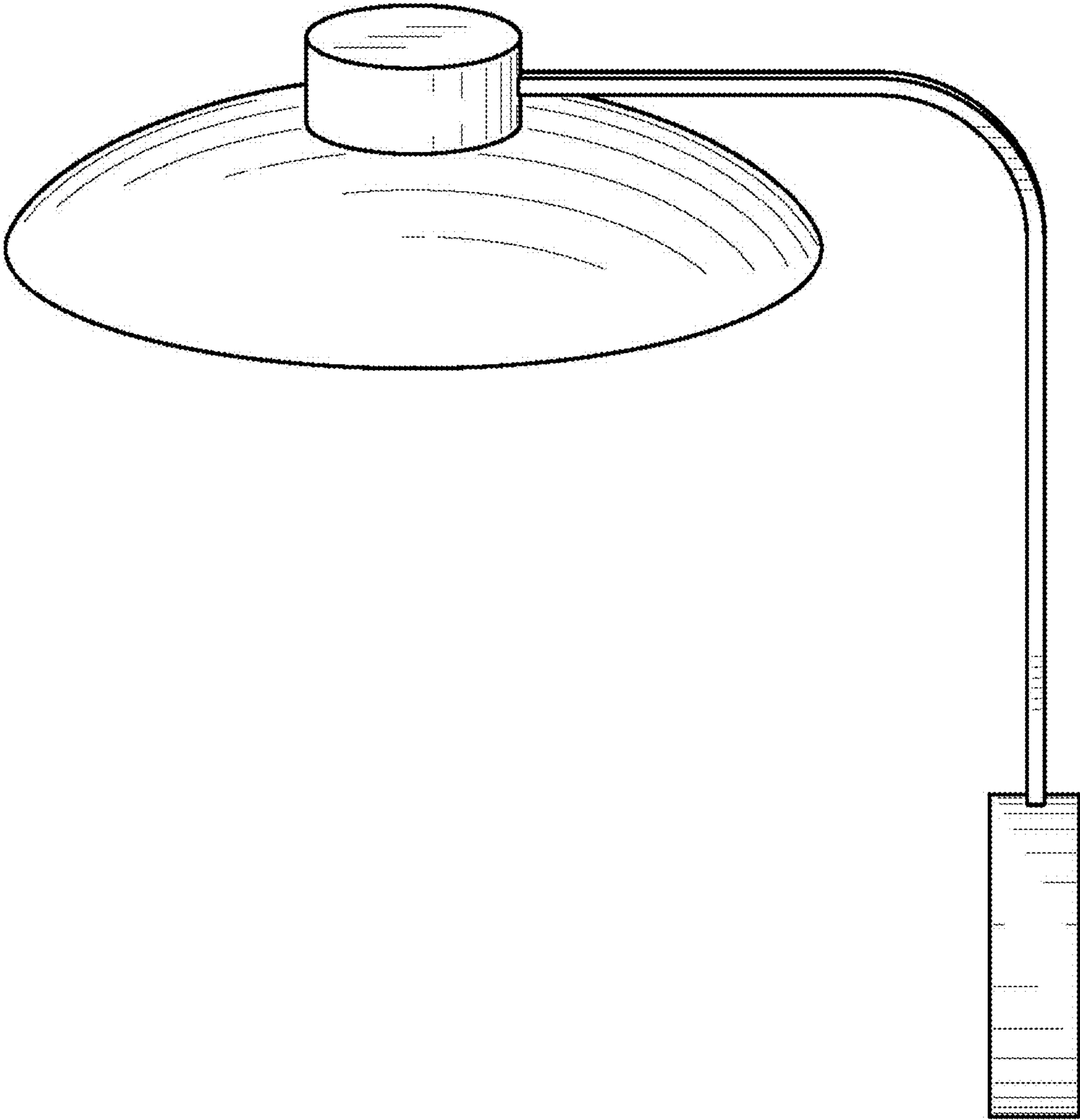


FIG. 6

FIG. 7

