



US00D909337S

(12) **United States Design Patent**
Liu

(10) **Patent No.:** **US D909,337 S**

(45) **Date of Patent:** **** Feb. 2, 2021**

(54) **HEADSET**

(71) Applicant: **Hanbing Liu**, Chibi (CN)

(72) Inventor: **Hanbing Liu**, Chibi (CN)

(**) Term: **15 Years**

(21) Appl. No.: **29/698,417**

(22) Filed: **Jul. 16, 2019**

(30) **Foreign Application Priority Data**

Jun. 24, 2019 (CN) 2019 3 0329142

(51) **LOC (13) Cl.** **14-01**

(52) **U.S. Cl.**

USPC **D14/206**; D14/226

(58) **Field of Classification Search**

USPC D14/206, 226; 381/380, 381, 374;
455/90.3, 575.1, 569.1

CPC H04R 25/00; H04R 1/1066; H04R 1/1016;
H04R 5/033; H04R 5/0335; H04R 19/04;
H04R 9/06

See application file for complete search history.

(56) **References Cited**

U.S. PATENT DOCUMENTS

D229,833 S *	1/1974	Becker	D14/205
D233,444 S *	10/1974	Christian	D14/206
D322,071 S *	12/1991	Bergin	D14/205
D377,174 S *	1/1997	Runquist	D14/206
D379,990 S *	6/1997	Bungardt	D14/228
D432,527 S *	10/2000	DeLeon	D14/225
D458,597 S *	6/2002	Davies	D14/206
D462,946 S *	9/2002	Beraut	D14/228
D476,645 S *	7/2003	Padala	D14/223
D512,708 S *	12/2005	Harris, Jr.	D14/205
D541,255 S *	4/2007	Taylor	D14/205
D585,871 S *	2/2009	Lee	D14/205
D587,684 S *	3/2009	Ham	D14/205
D592,639 S *	5/2009	Kuh	D14/205

D594,847 S *	6/2009	Suzuki	D14/205
D602,908 S *	10/2009	Ham	D14/206
D637,579 S *	5/2011	Hamaura	D14/205
D651,764 S *	1/2012	Gresko	A61F 11/14
				D29/112
D662,080 S *	6/2012	Carr	D14/205
D673,524 S *	1/2013	Brennwald	D14/206
D706,244 S *	6/2014	Goransson	D14/225
D721,052 S *	1/2015	Carr	D14/205
D727,286 S *	4/2015	Galler	D14/205
D729,196 S *	5/2015	Liu	D14/205
D734,297 S *	7/2015	Sasaki	D14/205
D740,256 S *	10/2015	Carr	D14/206
D752,017 S *	3/2016	Daniel	D14/205
D778,258 S *	2/2017	Hsu	D14/205
D782,999 S *	4/2017	Spio	D14/206
9,706,281 B2 *	7/2017	Hernandez Vazquez	

H04R 1/08

D836,084 S *	12/2018	Xie	D14/205
D838,687 S *	1/2019	Wu	D14/205
D840,370 S *	2/2019	Kelly	D14/205

(Continued)

Primary Examiner — Paula Allen Greene

(74) *Attorney, Agent, or Firm* — ZANIP

(57) **CLAIM**

The ornamental design for a headset, as shown and described.

DESCRIPTION

FIG. 1 is a perspective view of a headset, showing my new design;

FIG. 2 is a front view thereof;

FIG. 3 is a back view thereof;

FIG. 4 is a left side view thereof;

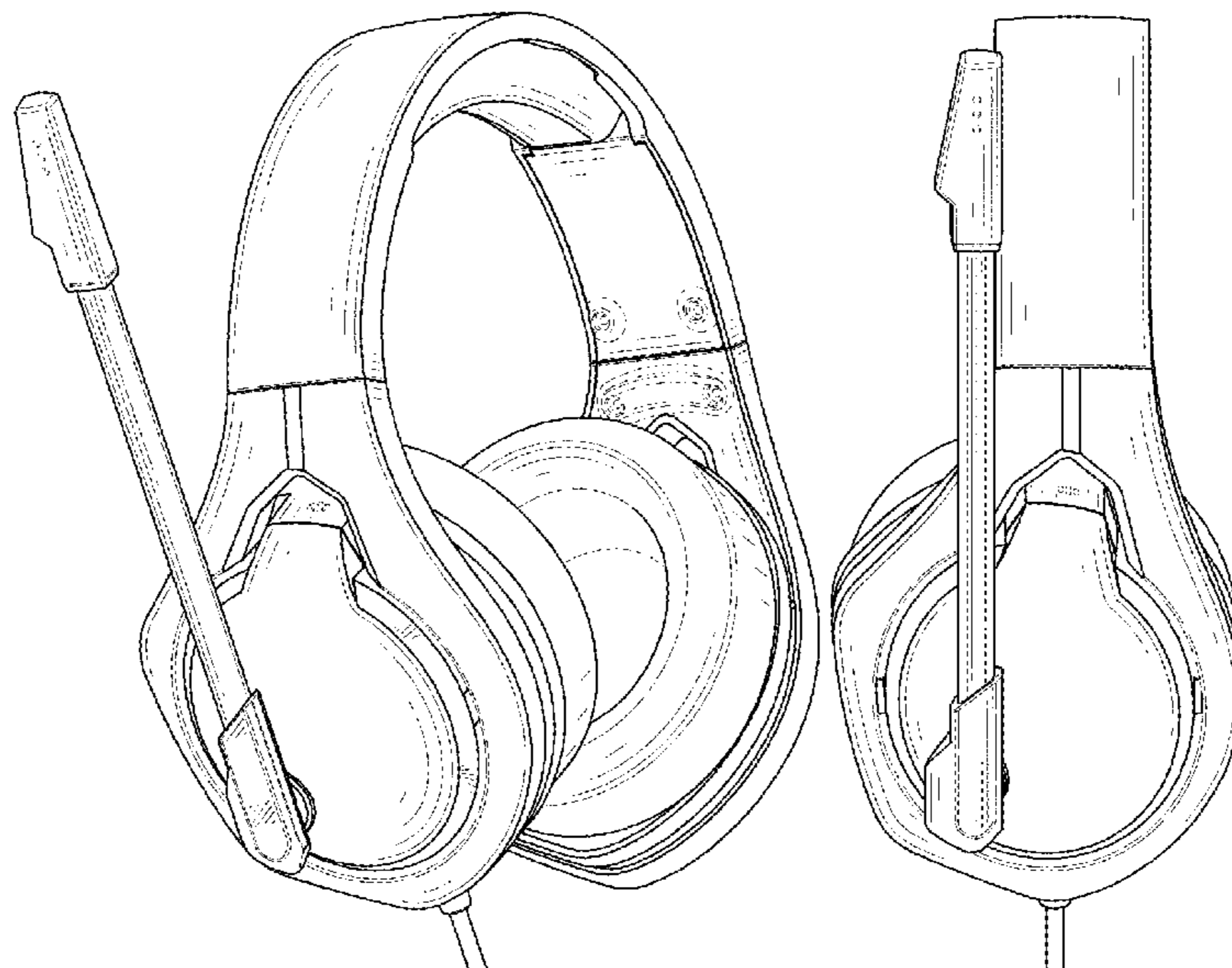
FIG. 5 is a right side view thereof;

FIG. 6 is a top view thereof; and,

FIG. 7 is a bottom view thereof.

The broken lines in the figures illustrate portions of the headset that form no part of the claimed design.

1 Claim, 7 Drawing Sheets



(56)

References Cited

U.S. PATENT DOCUMENTS

D840,373	S	*	2/2019	Lee	D14/206
D845,927	S	*	4/2019	Wang	D14/206
D851,064	S	*	6/2019	Wang	D14/206
D859,355	S	*	9/2019	Hu	D14/205
D864,153	S	*	10/2019	Hu	D14/205
D864,903	S	*	10/2019	Liu	D14/206
D866,515	S	*	11/2019	Long	D14/206
D868,734	S	*	12/2019	Wang	D14/206
D870,698	S	*	12/2019	Long	D14/206
D872,050	S	*	1/2020	Liu	D14/206
D875,711	S	*	2/2020	Long	D14/205
D876,392	S	*	2/2020	Zhou	D14/206
D877,116	S	*	3/2020	Liu	D14/206
D883,950	S	*	5/2020	Liu	D14/206
D890,131	S	*	7/2020	Shen	D14/206
D891,398	S	*	7/2020	Chen	D14/206
D891,399	S	*	7/2020	Chen	D14/206
D893,454	S	*	8/2020	Li	D14/206
2011/0206216	A1	*	8/2011	Brunner	H04R 1/1066 381/74

* cited by examiner

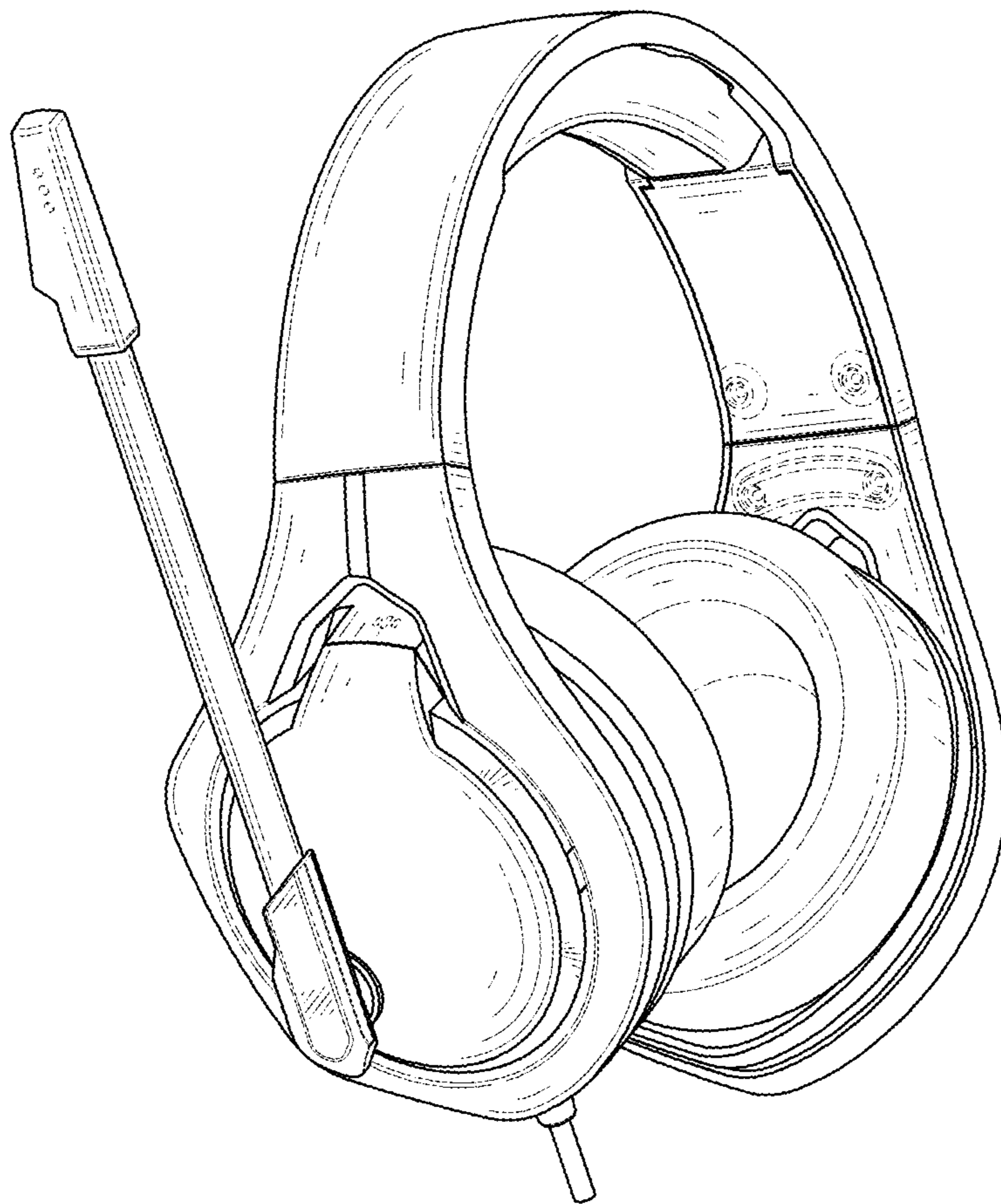


FIG. 1

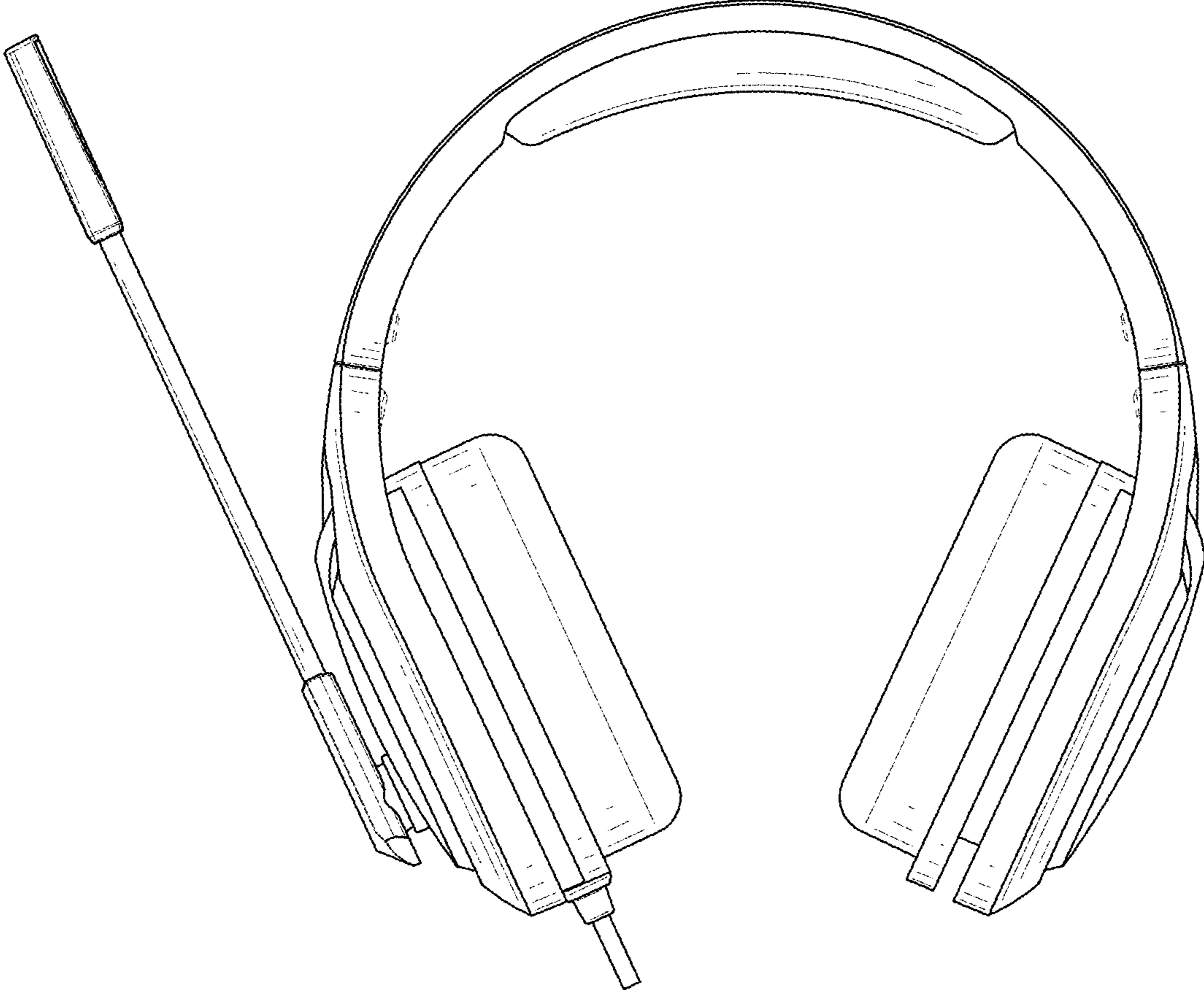


FIG. 2

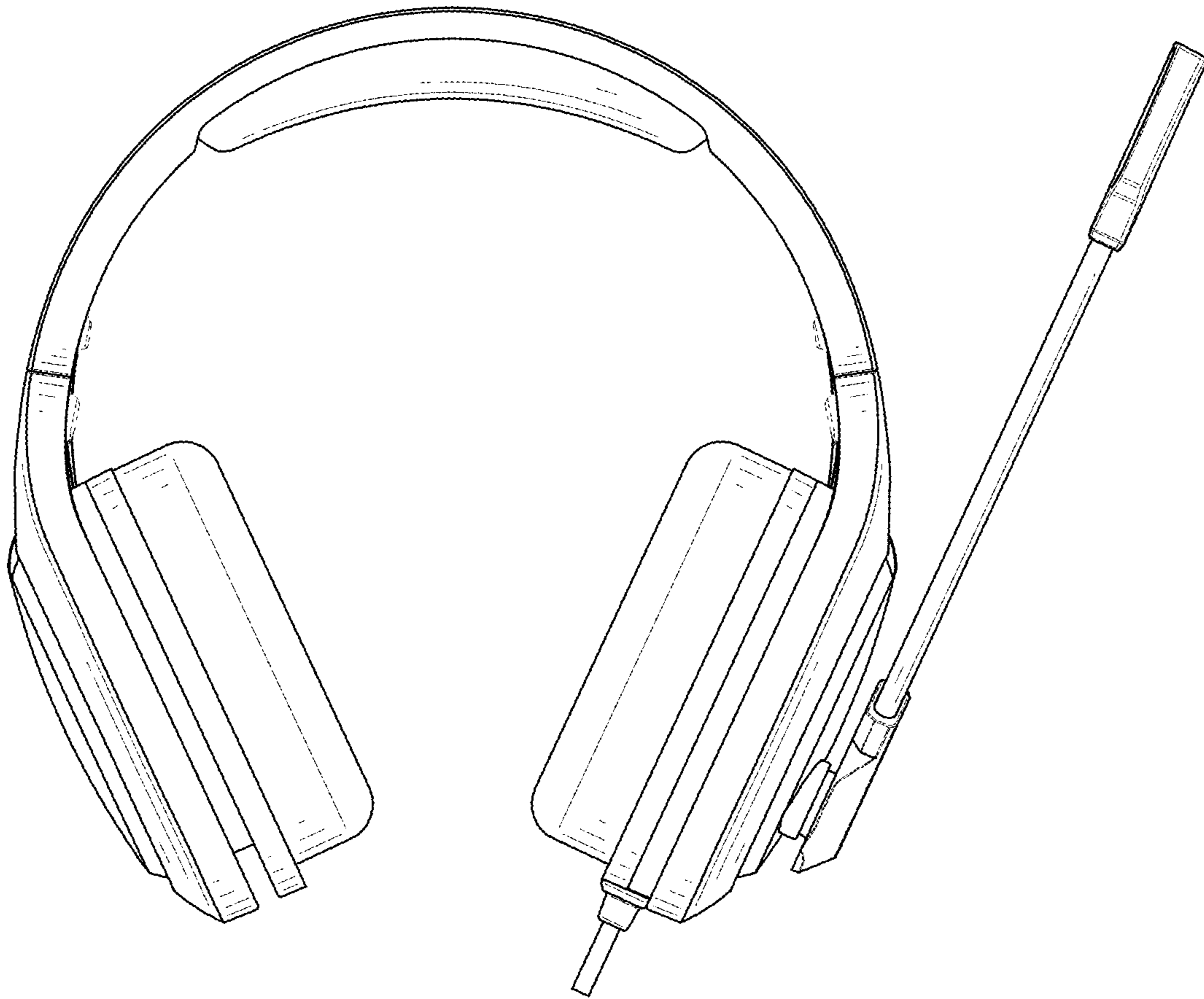


FIG. 3

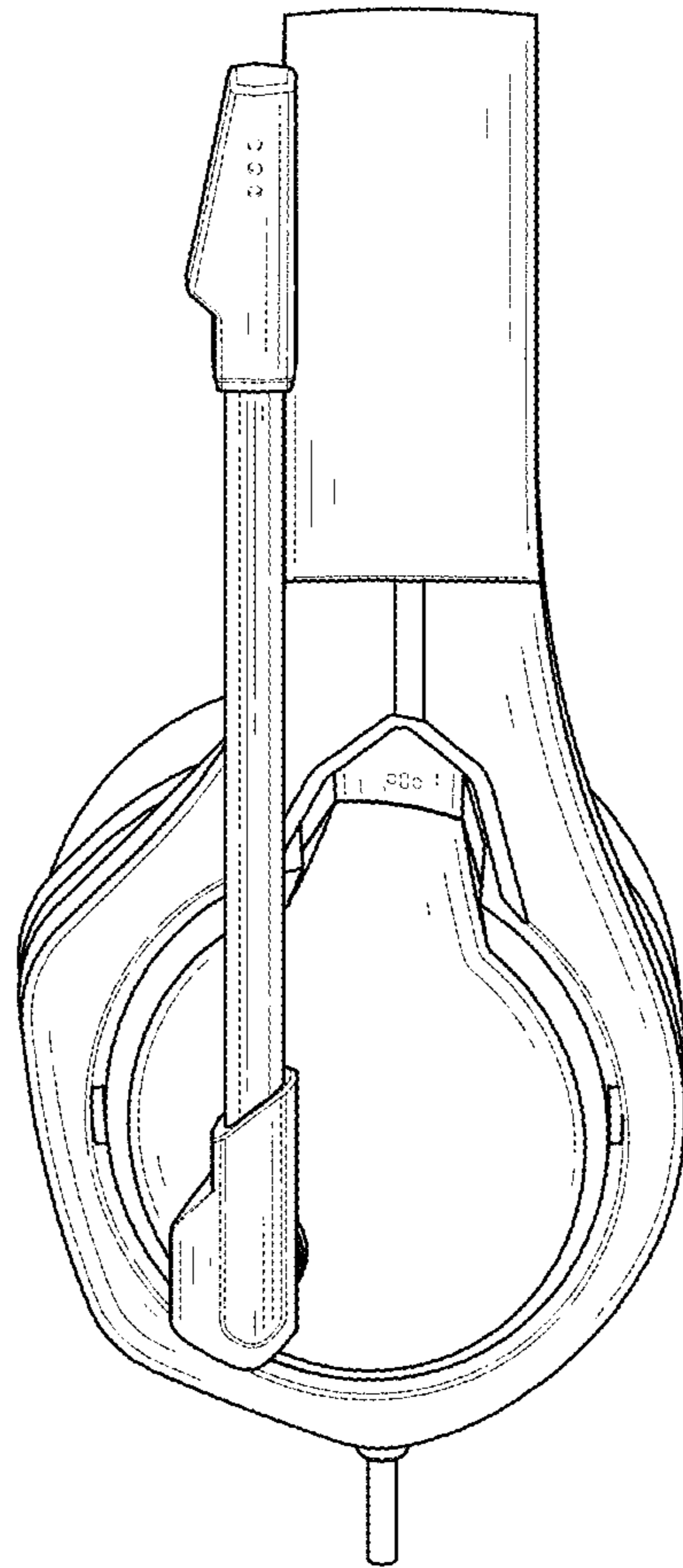


FIG. 4

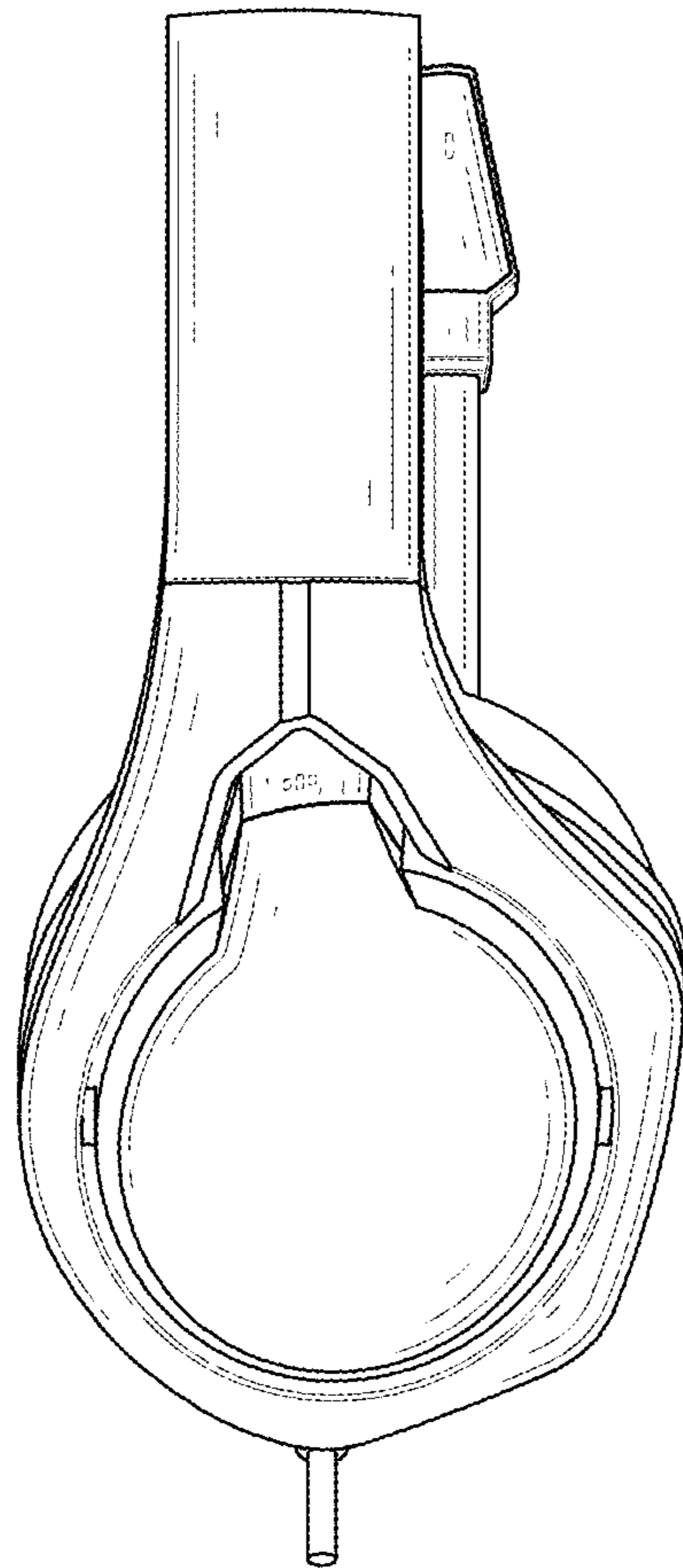


FIG. 5

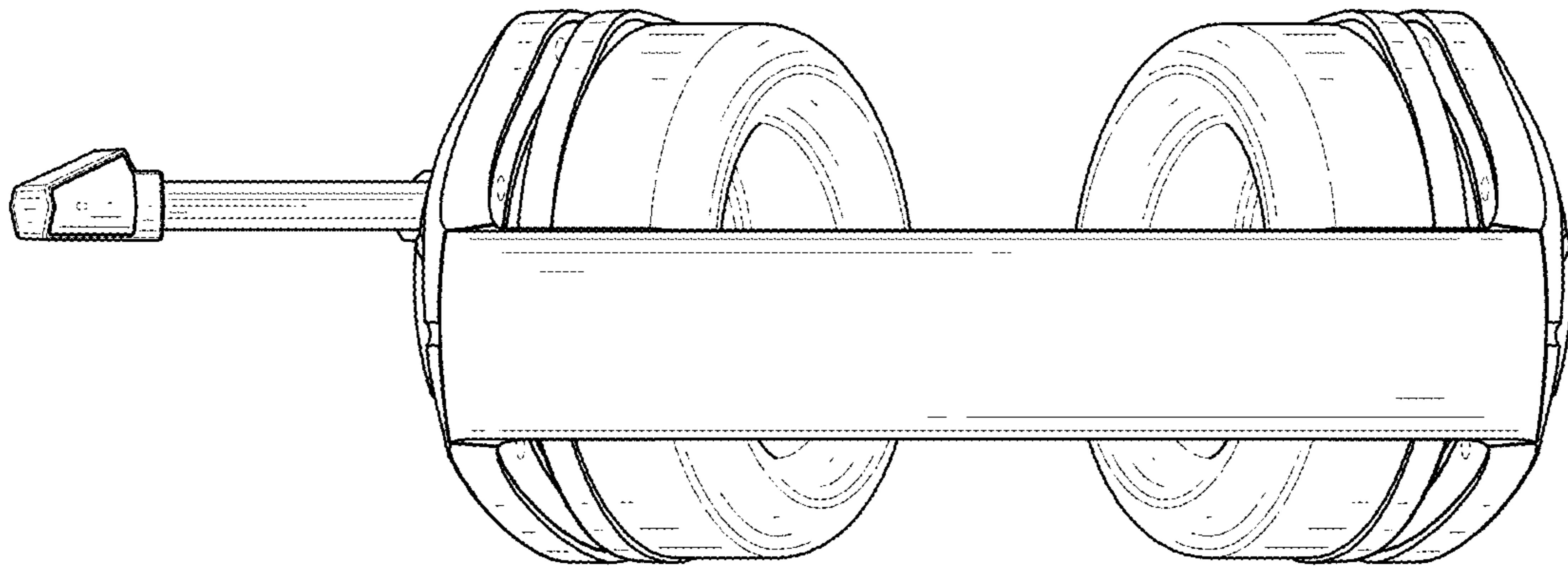


FIG. 6

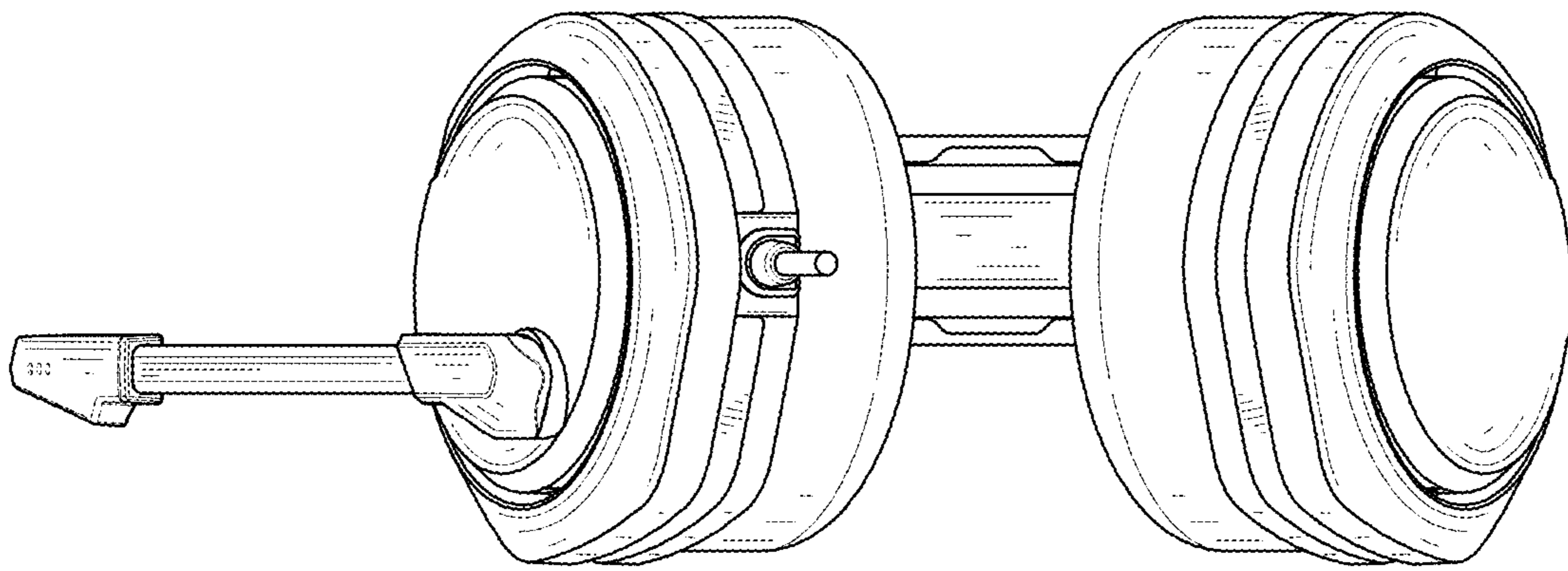


FIG. 7