



US00D909336S

(12) **United States Design Patent** (10) **Patent No.:** **US D909,336 S**  
**Adams et al.** (45) **Date of Patent:** **\*\* Feb. 2, 2021**

(54) **EARPHONE**  
(71) Applicant: **Dragon Summit Group Inc.**, Grand Cayman (KY)  
(72) Inventors: **William Adams**, La, CA (US); **Yu Ai**, Beijing (CN); **Chee Wei Jaren Goh**, Singapore (SG)  
(\*\*) Term: **15 Years**  
(21) Appl. No.: **29/694,437**  
(22) Filed: **Jun. 11, 2019**  
(51) **LOC (13) Cl.** ..... **14-01**  
(52) **U.S. Cl.**  
USPC ..... **D14/205**  
(58) **Field of Classification Search**  
USPC ..... D14/205, 223, 218; D24/174; 128/864, 128/865, 866; 381/380, 381; 455/90.3, 455/575.1, 569.1; D11/90, 127, 134; 63/26  
CPC ..... H04R 1/10; H04R 25/00; H04R 25/02; H04R 1/1066; H04R 1/1016; H04R 5/033; H04R 5/0335; H04R 1/1041; H04R 1/1091; H04R 1/105; H04R 1/1033  
See application file for complete search history.

(56) **References Cited**  
U.S. PATENT DOCUMENTS  
813,084 A \* 2/1906 Dover ..... 63/26  
D204,199 S \* 3/1966 Westreich ..... D11/90  
D264,510 S \* 5/1982 Boyd ..... D28/78  
D268,653 S \* 4/1983 Sun ..... D11/121  
D314,964 S \* 2/1991 Chung ..... D14/188  
D316,550 S \* 4/1991 Sogabe ..... D14/168  
D326,655 S \* 6/1992 Iribe ..... D14/192  
D392,979 S \* 3/1998 Inukai ..... D14/228  
D435,580 S \* 12/2000 Grinkus ..... D14/218  
D458,246 S \* 6/2002 Davies ..... D14/206

D465,476 S \* 11/2002 Golding ..... D14/223  
D473,217 S \* 4/2003 Rivera ..... D14/223  
D475,996 S \* 6/2003 Skulley ..... D14/223  
D504,347 S \* 4/2005 Yuan ..... D11/90  
D539,782 S \* 4/2007 Lee ..... D14/188  
D542,782 S \* 5/2007 Pena Angarita ..... D14/223  
D554,627 S \* 11/2007 Gondo ..... D14/223  
D555,152 S \* 11/2007 Wang ..... D14/223  
D569,841 S \* 5/2008 Chung ..... D14/205  
D572,703 S \* 7/2008 Ledbetter ..... D14/205  
D573,978 S \* 7/2008 Ledbetter ..... D14/205  
D575,268 S \* 8/2008 Christopher ..... D14/205  
D582,354 S \* 12/2008 Andre ..... D13/158  
D587,685 S \* 3/2009 Densho ..... D14/206  
D589,493 S \* 3/2009 Densho ..... D14/206  
D594,441 S \* 6/2009 Lee ..... D14/205  
D597,071 S \* 7/2009 Andre ..... D14/206  
D598,894 S \* 8/2009 Masuda ..... D14/205  
D599,778 S \* 9/2009 Ando ..... D14/205

(Continued)

Primary Examiner — Paula Allen Greene

(74) Attorney, Agent, or Firm — HYIP

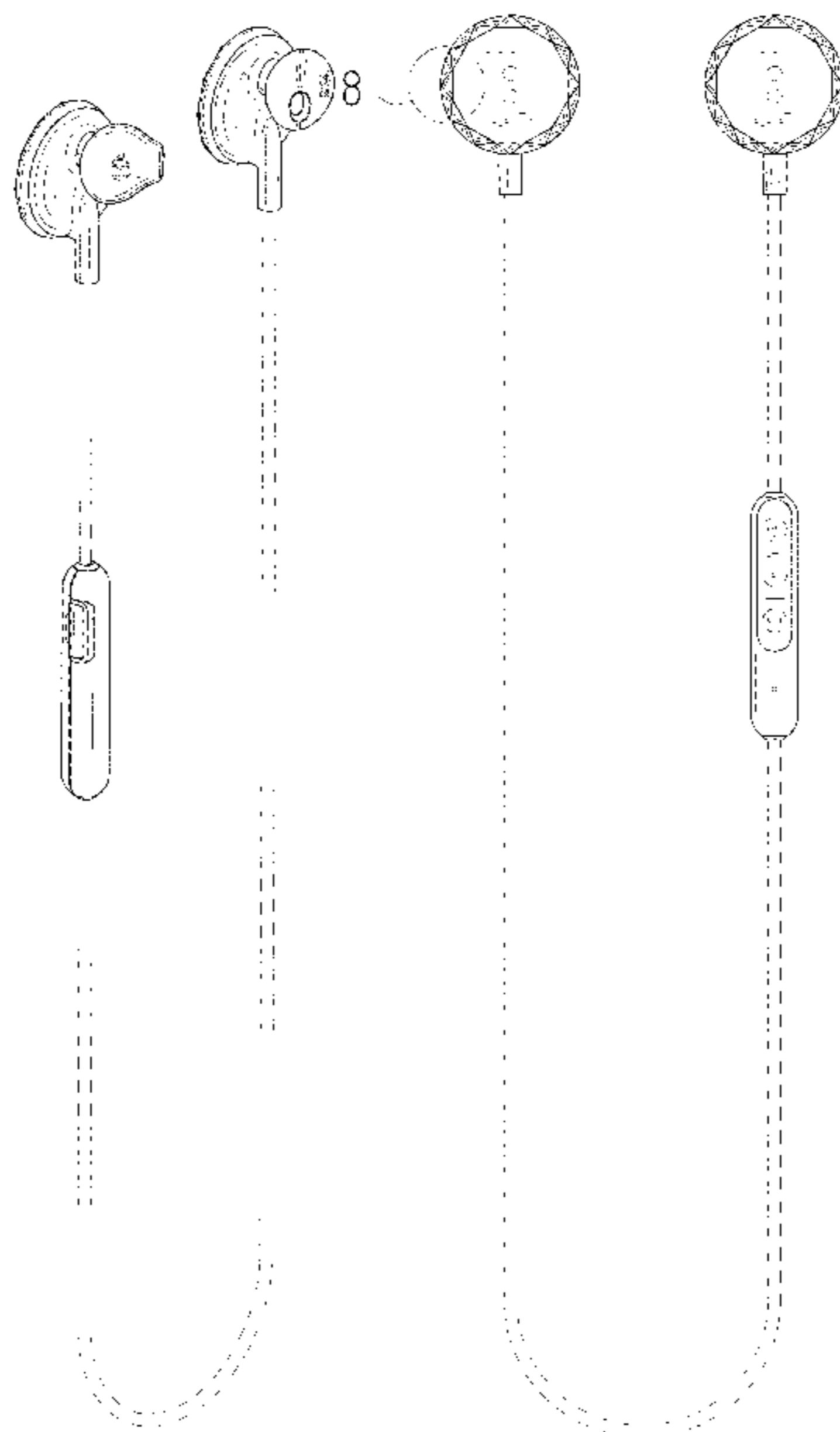
(57) **CLAIM**

The ornamental design for an earphone, as shown and described.

**DESCRIPTION**

FIG. 1 is a perspective view of an earphone showing our new design;  
FIG. 2 is a front view thereof;  
FIG. 3 is a back view thereof;  
FIG. 4 is a right side view thereof;  
FIG. 5 is a left side view thereof;  
FIG. 6 is a top view thereof;  
FIG. 7 is a bottom view thereof; and,  
FIG. 8 is an enlarged view of the selected portion in FIG. 2.  
The broken lines shown in the drawings depict portions of the earphone in which the design is embodied that form no part of the claimed design.

**1 Claim, 8 Drawing Sheets**



(56)

References Cited

U.S. PATENT DOCUMENTS

D603,378 S *	11/2009	Paradise .....	D14/223	D733,689 S *	7/2015	Narita .....	D14/223
D603,380 S *	11/2009	Hutchieson .....	D14/223	D743,381 S *	11/2015	Pi .....	D14/218
D603,837 S *	11/2009	Martin .....	D14/206	D757,682 S *	5/2016	Perez .....	D14/205
D604,272 S *	11/2009	Kitayama .....	D14/223	D758,353 S *	6/2016	Akana .....	D14/218
D614,166 S *	4/2010	Brickstad .....	D14/205	D760,189 S *	6/2016	Loh Jun Kern .....	D14/205
D617,680 S *	6/2010	Graff .....	D11/222	D773,435 S *	12/2016	Ott .....	D14/205
D625,294 S *	10/2010	Wada .....	D14/218	D780,155 S *	2/2017	Levine .....	D14/205
D627,337 S *	11/2010	Wu .....	D14/223	D780,157 S *	2/2017	Uggla .....	D14/205
D636,763 S *	4/2011	Walter .....	D14/223	D782,442 S *	3/2017	Chen .....	D14/205
D637,585 S *	5/2011	Nagayama .....	D14/223	D784,962 S *	4/2017	Yang .....	D14/223
D643,416 S *	8/2011	Chong .....	D14/223	D785,594 S *	5/2017	Zaihui .....	D14/205
D643,830 S *	8/2011	Fish .....	D14/205	D793,995 S *	8/2017	Nakagawa .....	D14/218
D652,822 S *	1/2012	Lee .....	D14/223	D796,484 S *	9/2017	Chen .....	D14/218
D660,290 S *	5/2012	Weedon .....	D14/223	D803,184 S *	11/2017	Loh Jun Kern .....	D14/205
D666,581 S *	9/2012	Perez .....	D14/223	D803,185 S *	11/2017	Loh Jun Kern .....	D14/205
8,422,717 B2 *	4/2013	Lin .....	H04R 1/1091 381/372	D810,047 S *	2/2018	Tzeng .....	D14/205
D682,808 S *	5/2013	Fletcher .....	D14/205	D812,038 S *	3/2018	Nakajima .....	D14/205
D685,750 S *	7/2013	Nakagawa .....	D13/168	D820,810 S *	6/2018	Levine .....	D14/205
D685,764 S *	7/2013	Coulter .....	D14/205	D821,999 S *	7/2018	Guo .....	D14/205
D695,724 S *	12/2013	Ishikura .....	D14/223	D825,523 S *	8/2018	Adams .....	D14/205
D698,750 S *	2/2014	Yoon .....	D14/206	D830,992 S *	10/2018	Hardi .....	D14/205
D712,371 S *	9/2014	Henning .....	D14/205	D845,926 S *	4/2019	Aoyagi .....	D14/205
D716,268 S *	10/2014	Yamamoto .....	D14/218	D865,707 S *	11/2019	Bian .....	D14/205
D718,273 S *	11/2014	Harata .....	D14/205	D875,070 S *	2/2020	Carr .....	D14/205
D718,286 S *	11/2014	Yang .....	D14/223	D875,072 S *	2/2020	Yao .....	D14/205
D719,550 S *	12/2014	Yang .....	D14/223	D883,134 S *	5/2020	Bonke .....	D11/90
D727,871 S *	4/2015	Orbach .....	D14/205	D896,686 S *	9/2020	Shah .....	D11/90
D733,101 S *	6/2015	Pi .....	D14/223	2012/0093331 A1 *	4/2012	Lin .....	H04R 1/1091 381/71.6
				2013/0077815 A1 *	3/2013	Stephenson .....	H04R 1/1016 381/370
				2016/0316290 A1 *	10/2016	Shen .....	H04R 1/1025

\* cited by examiner

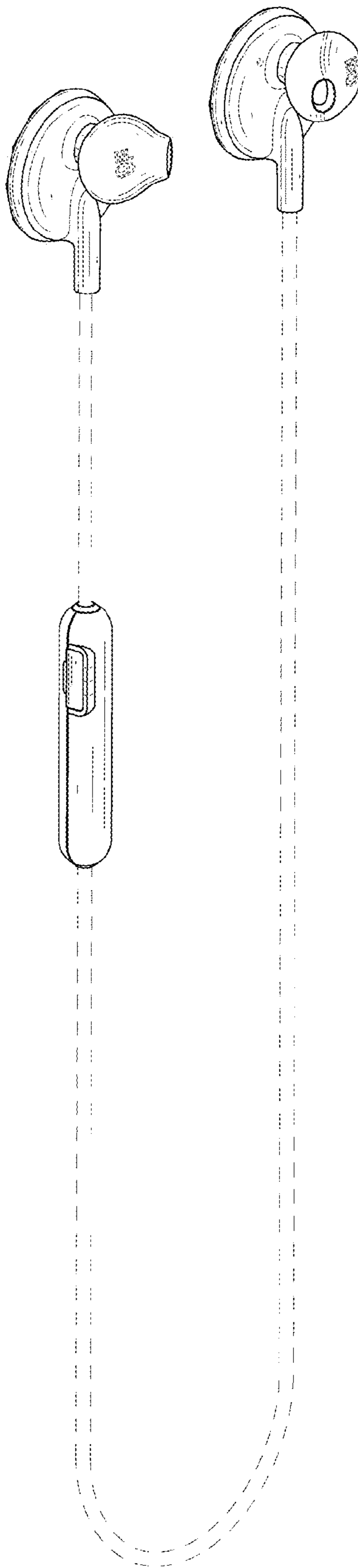


FIG. 1

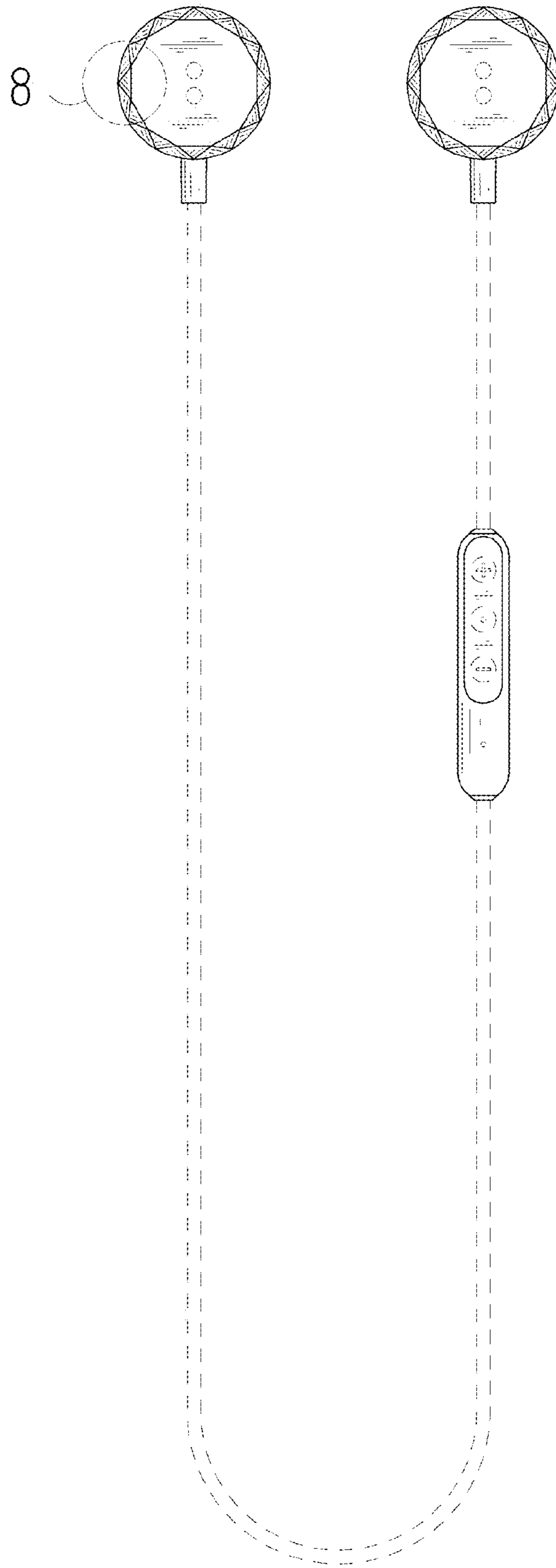


FIG. 2

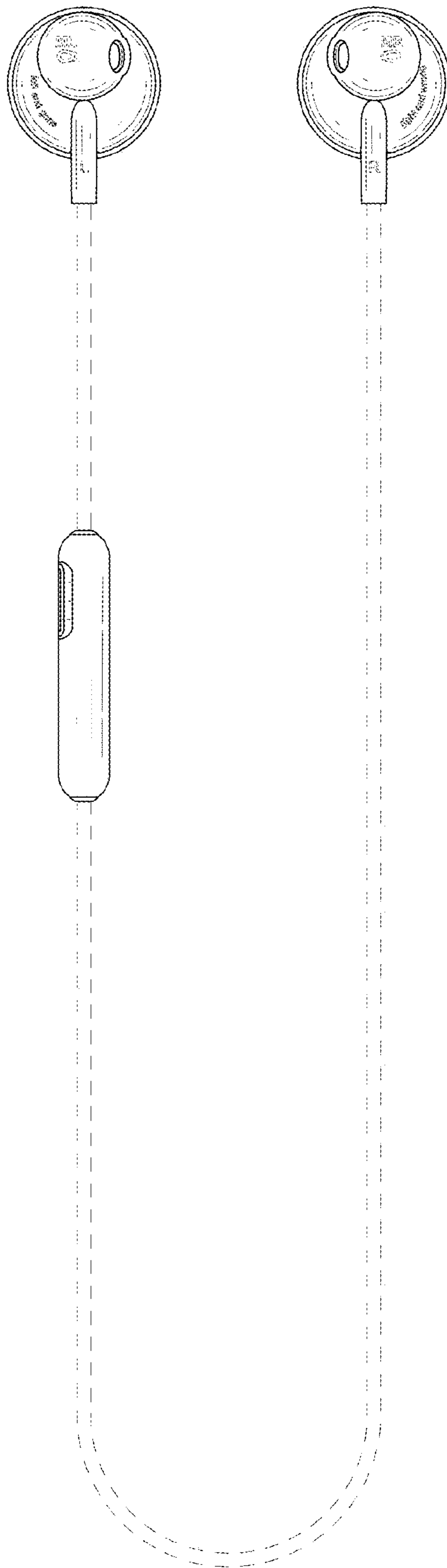


FIG. 3

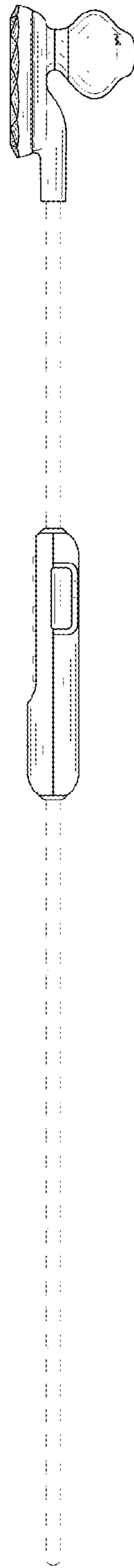


FIG. 4



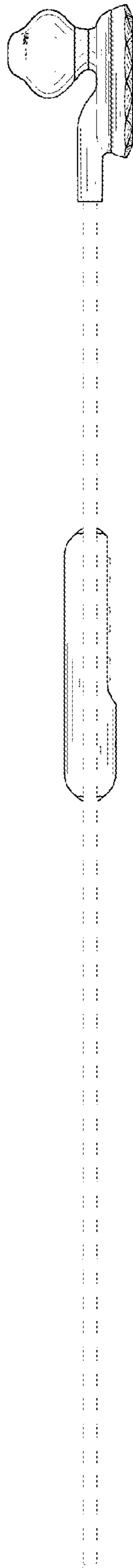


FIG. 5

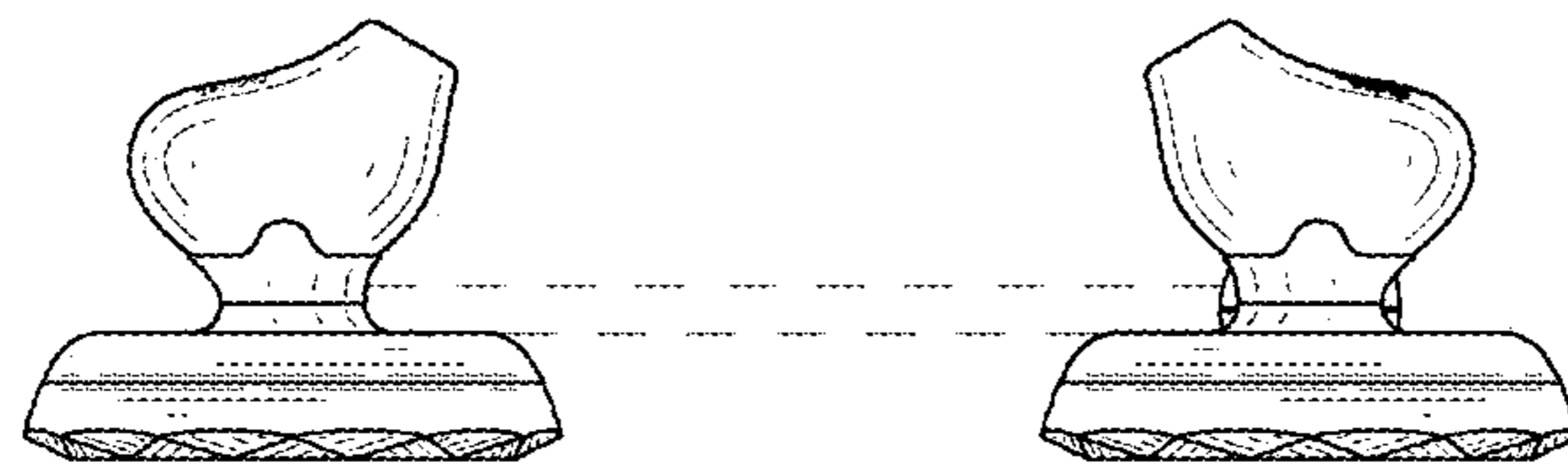


FIG. 6



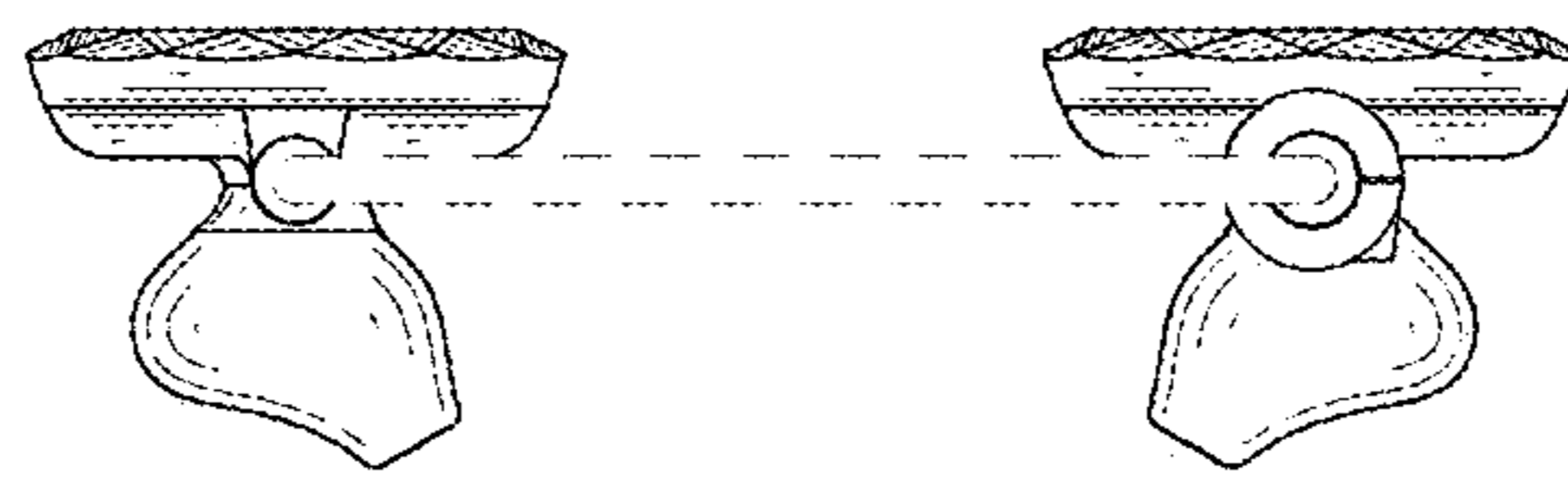


FIG. 7

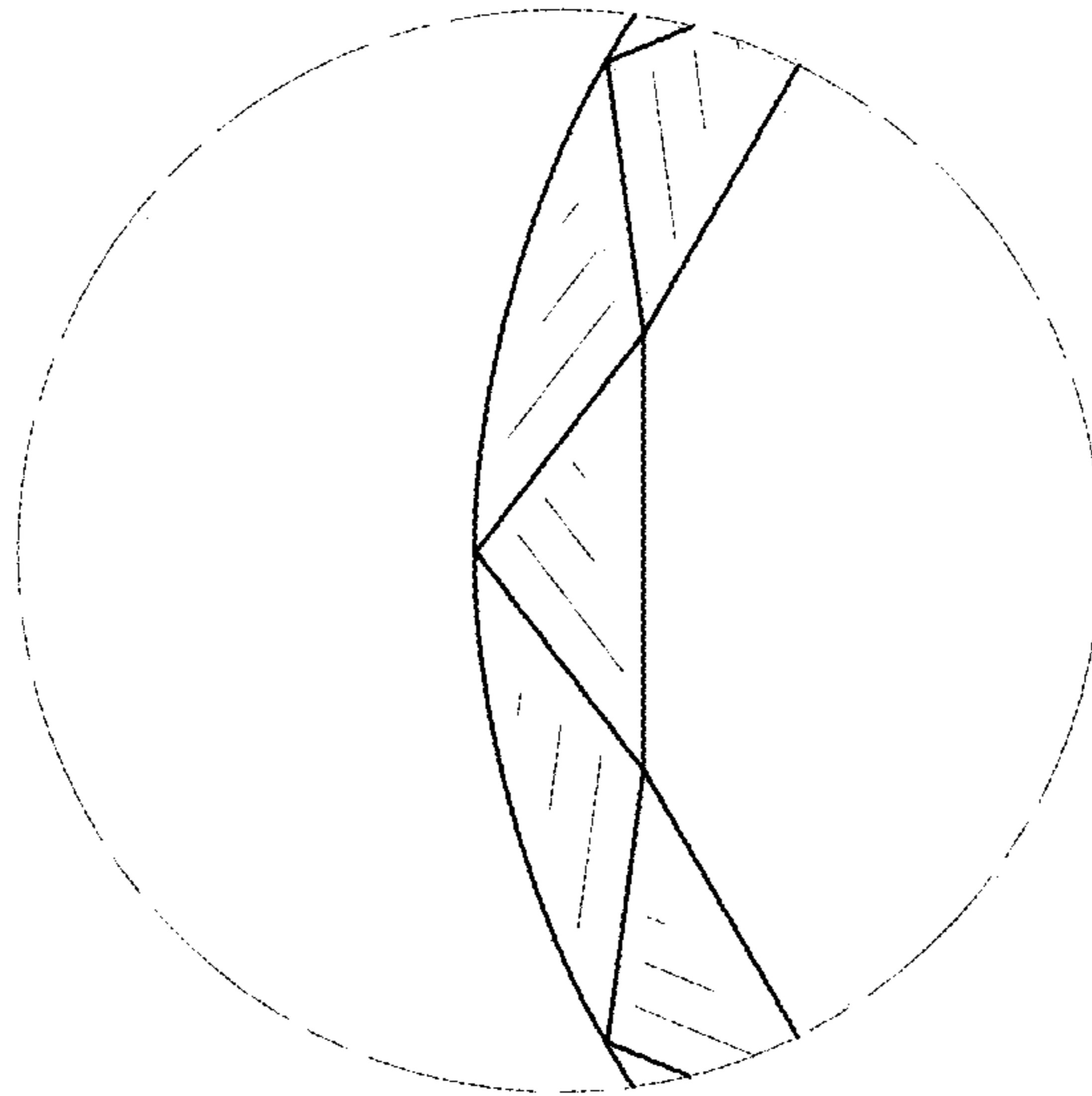


FIG. 8