



US00D909335S

(12) **United States Design Patent**
Jones et al.

(10) **Patent No.:** **US D909,335 S**

(45) **Date of Patent:** **** Feb. 2, 2021**

(54) **HEADPHONE**

(71) Applicants: **Kreg Jones**, Jenkintown, PA (US);
Jonathan Toto, Alexandria, VA (US)

(72) Inventors: **Kreg Jones**, Jenkintown, PA (US);
Jonathan Toto, Alexandria, VA (US)

(**) **Term:** **15 Years**

(21) **Appl. No.:** **29/693,166**

(22) **Filed:** **May 31, 2019**

(51) **LOC (13) Cl.** **14-01**

(52) **U.S. Cl.**
USPC **D14/205; D14/217**

(58) **Field of Classification Search**
USPC D14/205, 188, 192, 203.1, 203.6, 238.1,
D14/509, 510, 135, 195, 196, 217;
D21/405; 434/319; 369/30.02, 241;
381/380, 381; 455/90.3, 575.1, 569.1
CPC H04R 25/00; H04R 25/02; H04R 1/1066;
H04R 1/1016; H04R 5/033; H04R
5/0335; H04R 1/1091; H04R 1/1058
See application file for complete search history.

(56) **References Cited**

U.S. PATENT DOCUMENTS

1,065,823	A *	6/1913	Matthews	G01F 11/286 222/205
D237,009	S *	9/1975	Izuhara	D14/198
D246,259	S *	11/1977	Nishimura	D14/205
D250,761	S *	1/1979	Vong	D10/38
4,385,209	A *	5/1983	Greason	H04R 19/016 307/400
D284,859	S *	7/1986	Okada	D14/192
D291,690	S *	9/1987	Tabachnik	D14/205
D307,275	S *	4/1990	Pollard	379/452
5,018,599	A *	5/1991	Dohi	H04R 1/1008 181/129

D321,881	S *	11/1991	Hopewell	D14/192
D331,060	S *	11/1992	Emmons	D14/218
D371,793	S *	7/1996	Patton	D14/218
5,793,878	A *	8/1998	Chang	H04R 5/0335 381/370
D402,412	S *	12/1998	Thorpe	D28/82
D415,159	S *	10/1999	Nakano	D14/215
D417,465	S *	12/1999	Kreitz	D14/192
D439,574	S *	3/2001	Katayama	D14/192
6,392,196	B1 *	5/2002	Lin	A61F 11/14 2/209
D459,952	S *	7/2002	Bellander	D7/667
D467,895	S *	12/2002	Hirano	D14/192
D504,414	S *	4/2005	Yoshida	D14/192
D510,335	S *	10/2005	Suzuki	D14/205
D512,417	S *	12/2005	Hirakawa	D14/223
D514,085	S *	1/2006	Lee	D14/188

(Continued)

Primary Examiner — Paula Allen Greene

(74) *Attorney, Agent, or Firm* — Stradley Ronon Stevens & Young, LLP

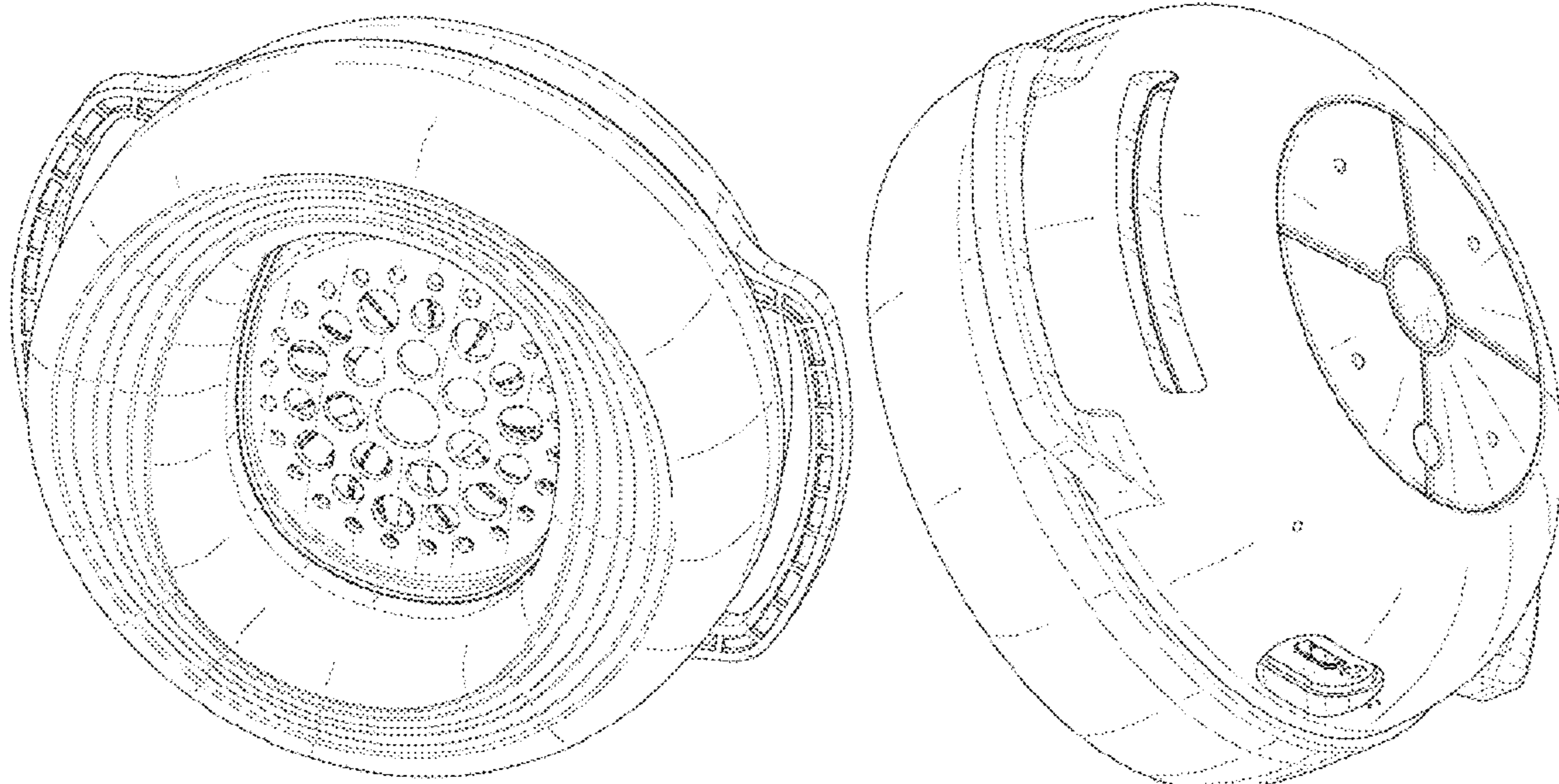
(57) **CLAIM**

The ornamental design for a headphone, as shown and described.

DESCRIPTION

FIG. 1 is a top front perspective view of the headphone; FIG. 2 is a top rear perspective view of the headphone; FIG. 3 is a bottom front perspective view of the headphone; FIG. 4 is a front elevation view of the headphone; FIG. 5 is a rear elevation view of the headphone; FIG. 6 is a top plan view of the headphone; FIG. 7 is a bottom plan view of the headphone; FIG. 8 is a right side elevation view of the headphone; and, FIG. 9 is a left side elevation view of the headphone. The broken lines show portions of the claimed design that are environment; the broken lines form no part of the claimed design.

1 Claim, 9 Drawing Sheets



(56)

References Cited

U.S. PATENT DOCUMENTS

D517,527 S * 3/2006 Suzuki D14/205
 D531,159 S * 10/2006 Park D14/203.3
 D542,282 S * 5/2007 Yoshiyama D14/223
 D543,972 S * 6/2007 Taylor D14/223
 D554,614 S * 11/2007 Lin D14/509
 D557,684 S * 12/2007 Pundsack D14/205
 7,457,649 B1 * 11/2008 Wilson H04R 1/1025
 379/428.02
 D583,800 S * 12/2008 Jaakkola D14/205
 D584,293 S * 1/2009 Kim D14/223
 7,492,917 B2 * 2/2009 Ito H04R 1/10
 381/370
 D591,267 S * 4/2009 Files D12/114
 D592,640 S * 5/2009 Tkachuk D14/205
 D604,266 S * 11/2009 Milde D14/205
 D657,776 S * 4/2012 Lee D14/205
 D673,519 S * 1/2013 Tan D14/205

D673,520 S * 1/2013 Tan D14/205
 D690,682 S * 10/2013 Iacovelli D14/205
 D700,904 S * 3/2014 Miller D14/218
 D725,078 S * 3/2015 Wong D14/216
 D728,512 S * 5/2015 Nakagawa D14/205
 D737,249 S * 8/2015 Zhao D14/216
 D765,056 S * 8/2016 Yang D14/205
 D770,415 S * 11/2016 Pellisari D14/216
 D792,468 S * 7/2017 Langhammer D14/496
 D793,356 S * 8/2017 Hardi D14/205
 D794,611 S * 8/2017 Valenzuela D14/223
 D795,224 S * 8/2017 Valenzuela D14/223
 D798,843 S * 10/2017 Valenzuela D14/223
 D803,811 S * 11/2017 Katsuno D14/216
 D815,149 S * 4/2018 Langhammer D14/496
 D857,680 S * 8/2019 Boucquey D14/248
 2007/0263896 A1 * 11/2007 Chen H04R 1/105
 381/381
 2008/0037816 A1 * 2/2008 Lee H04R 5/0335
 381/379

* cited by examiner

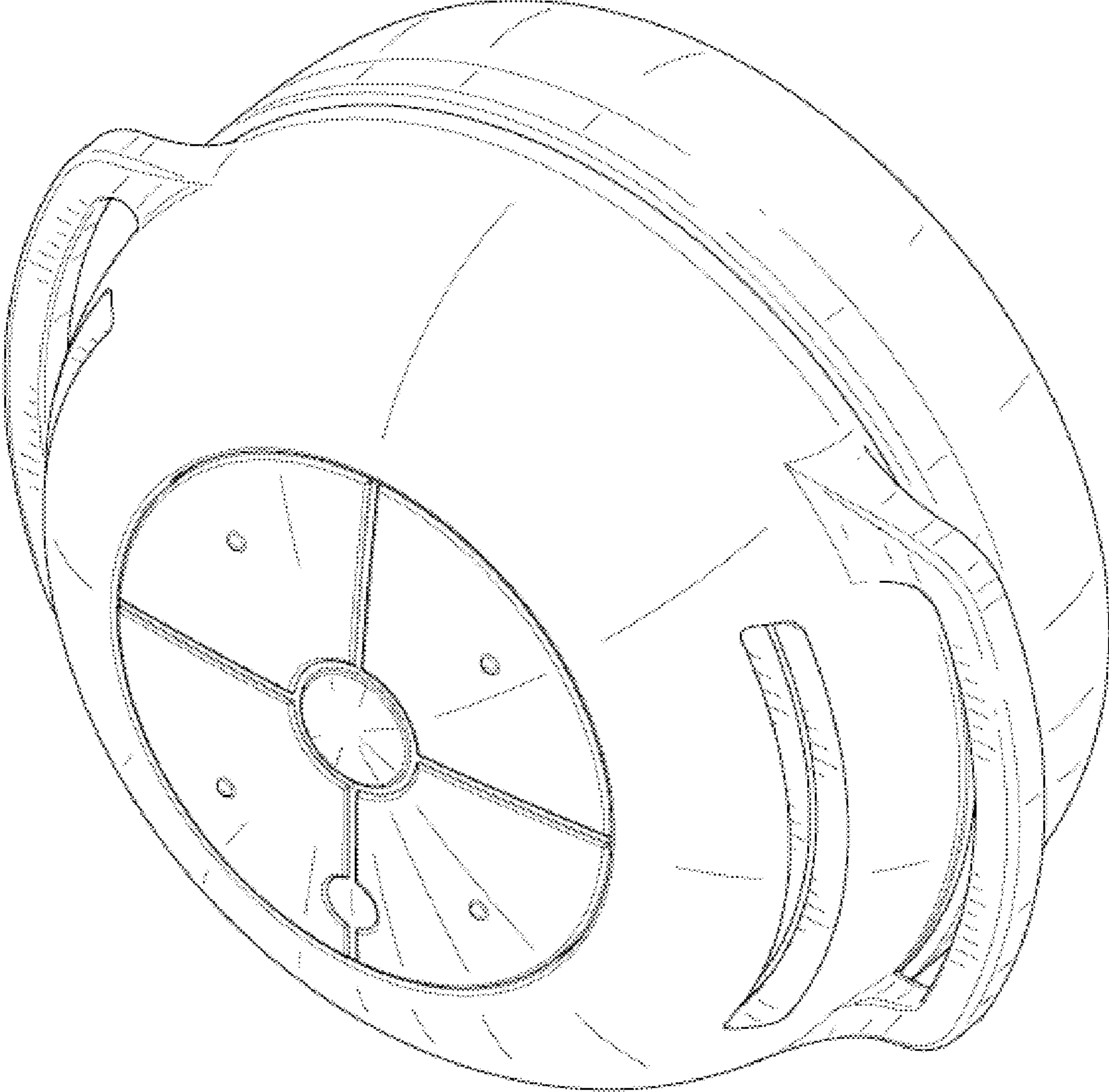


FIG. 1

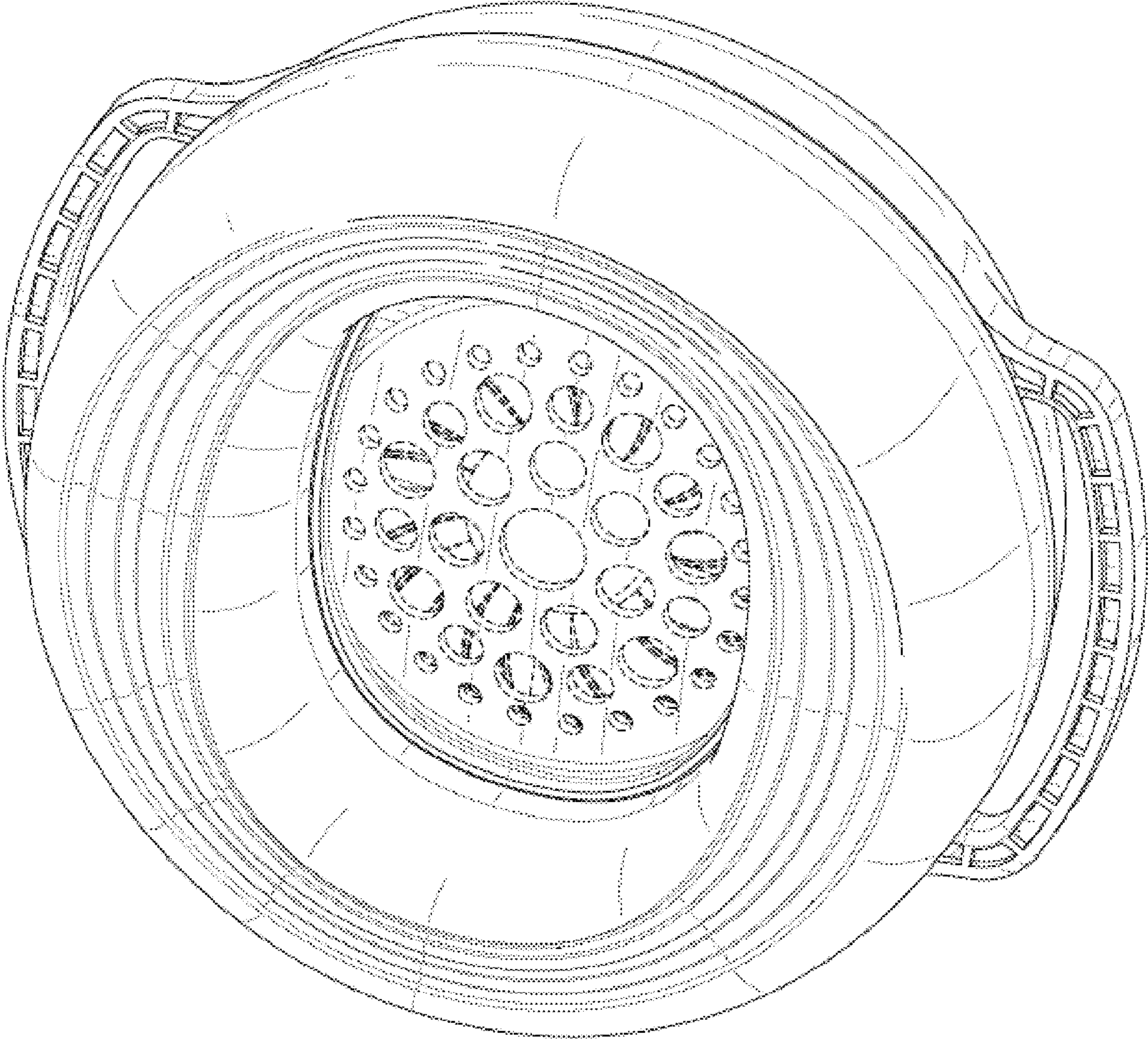


FIG. 2

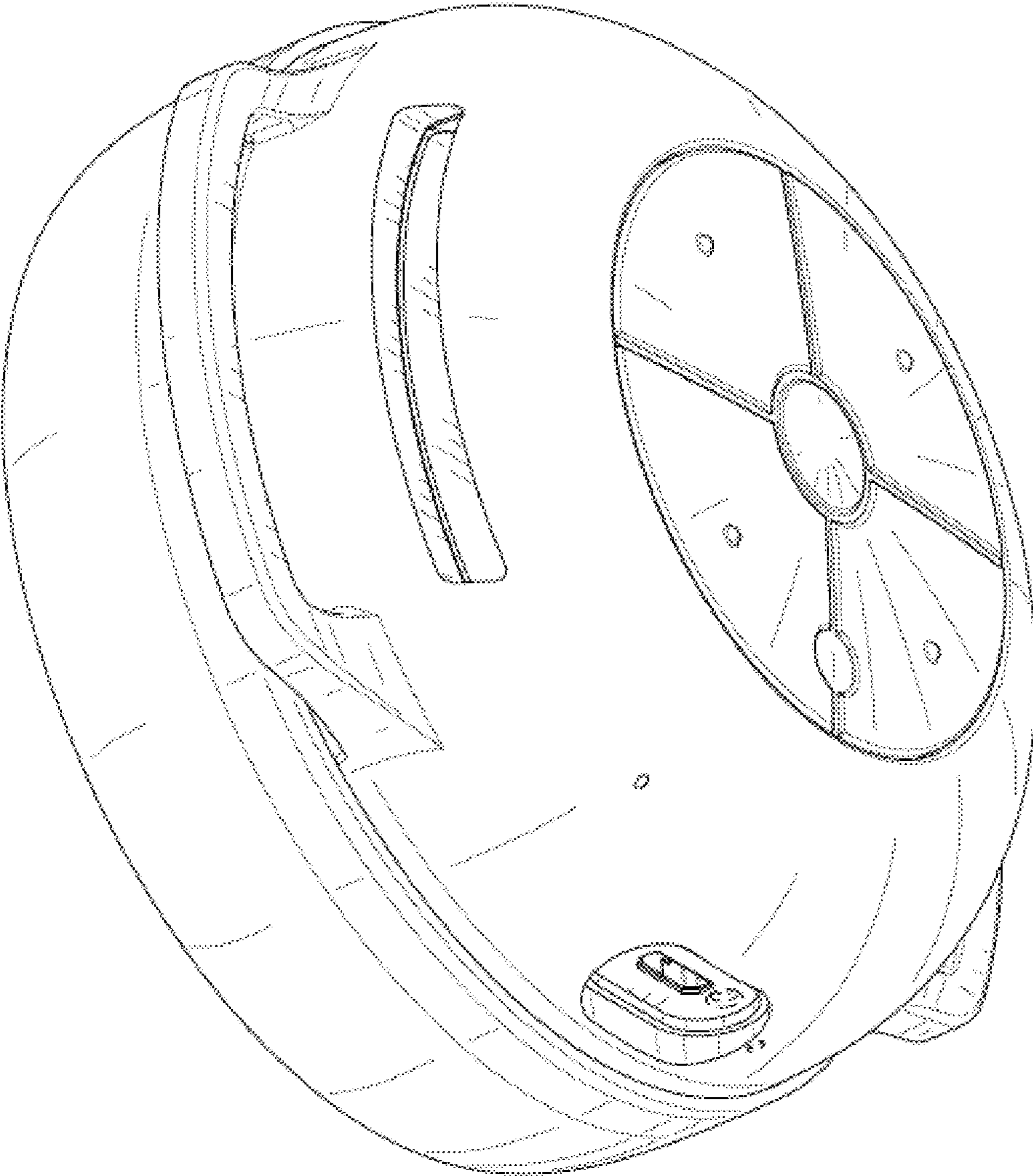


FIG. 3

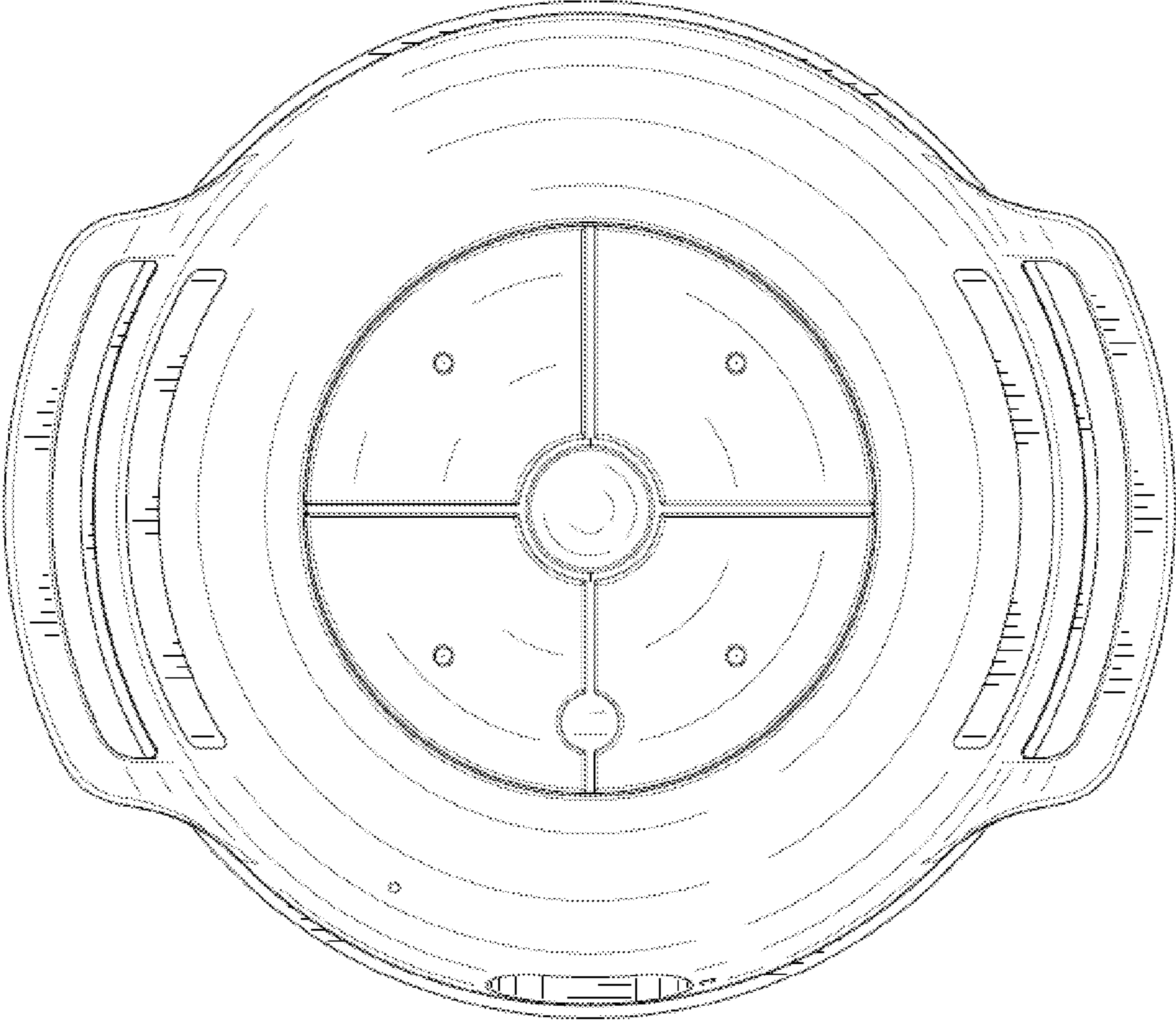


FIG. 4

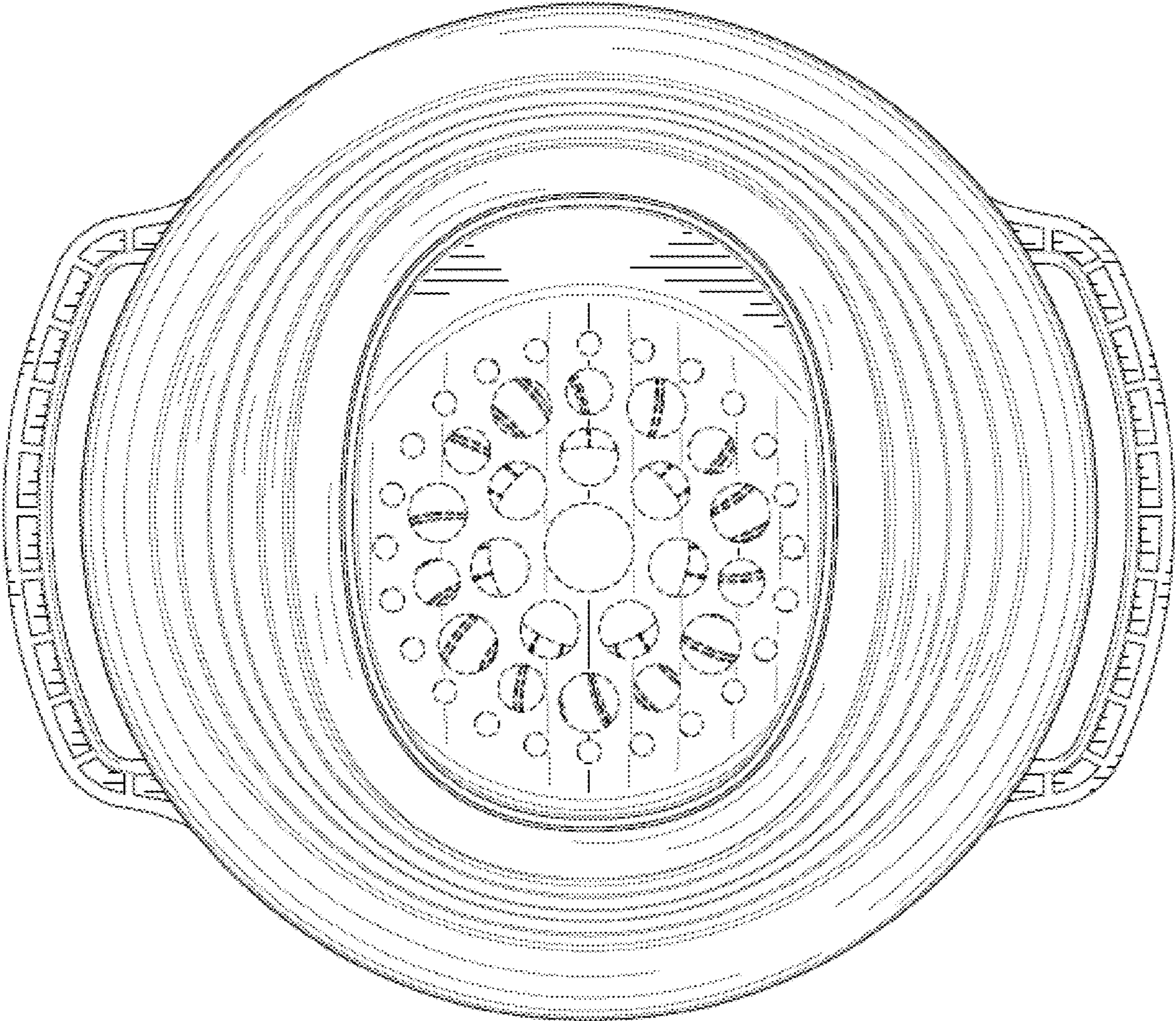


FIG. 5

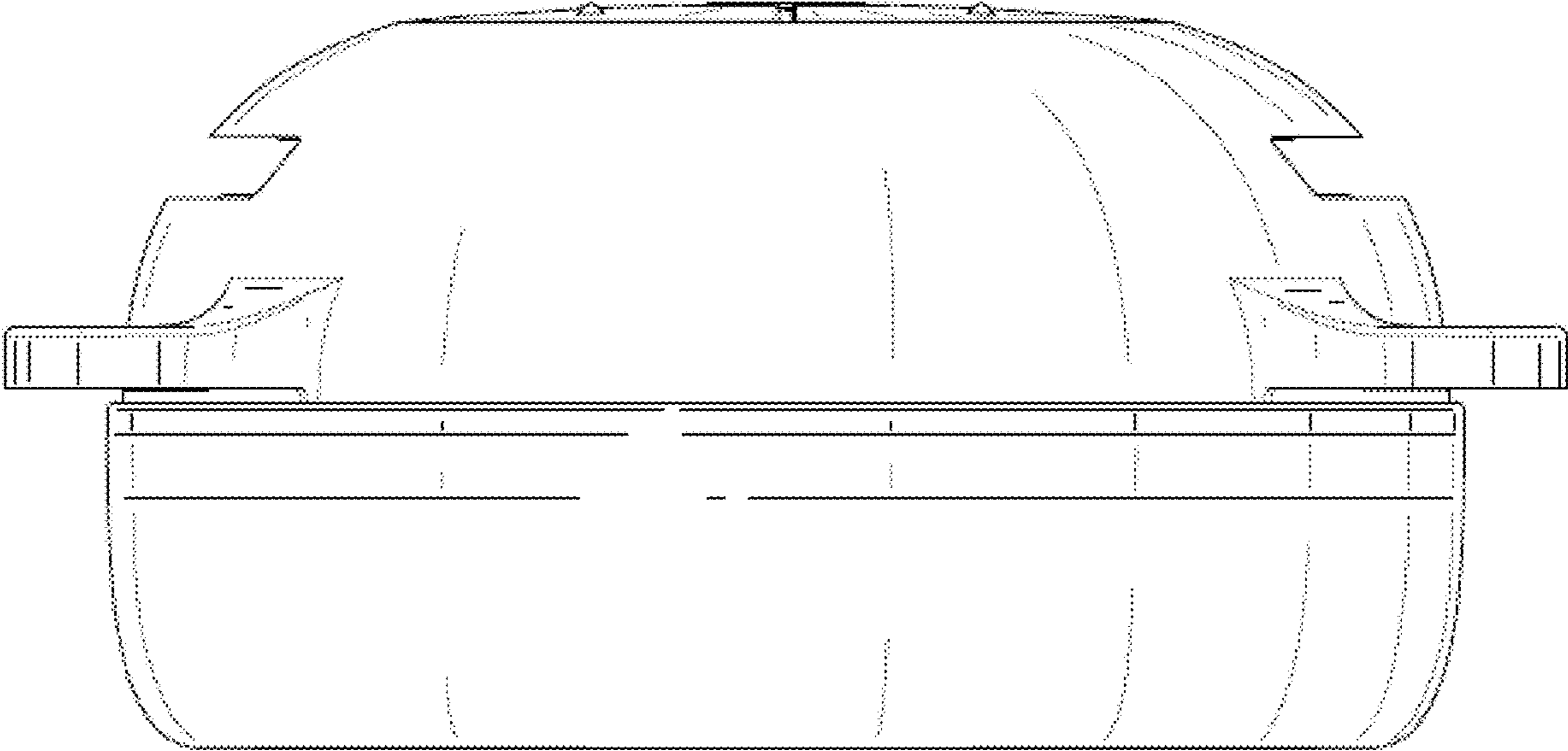


FIG. 6

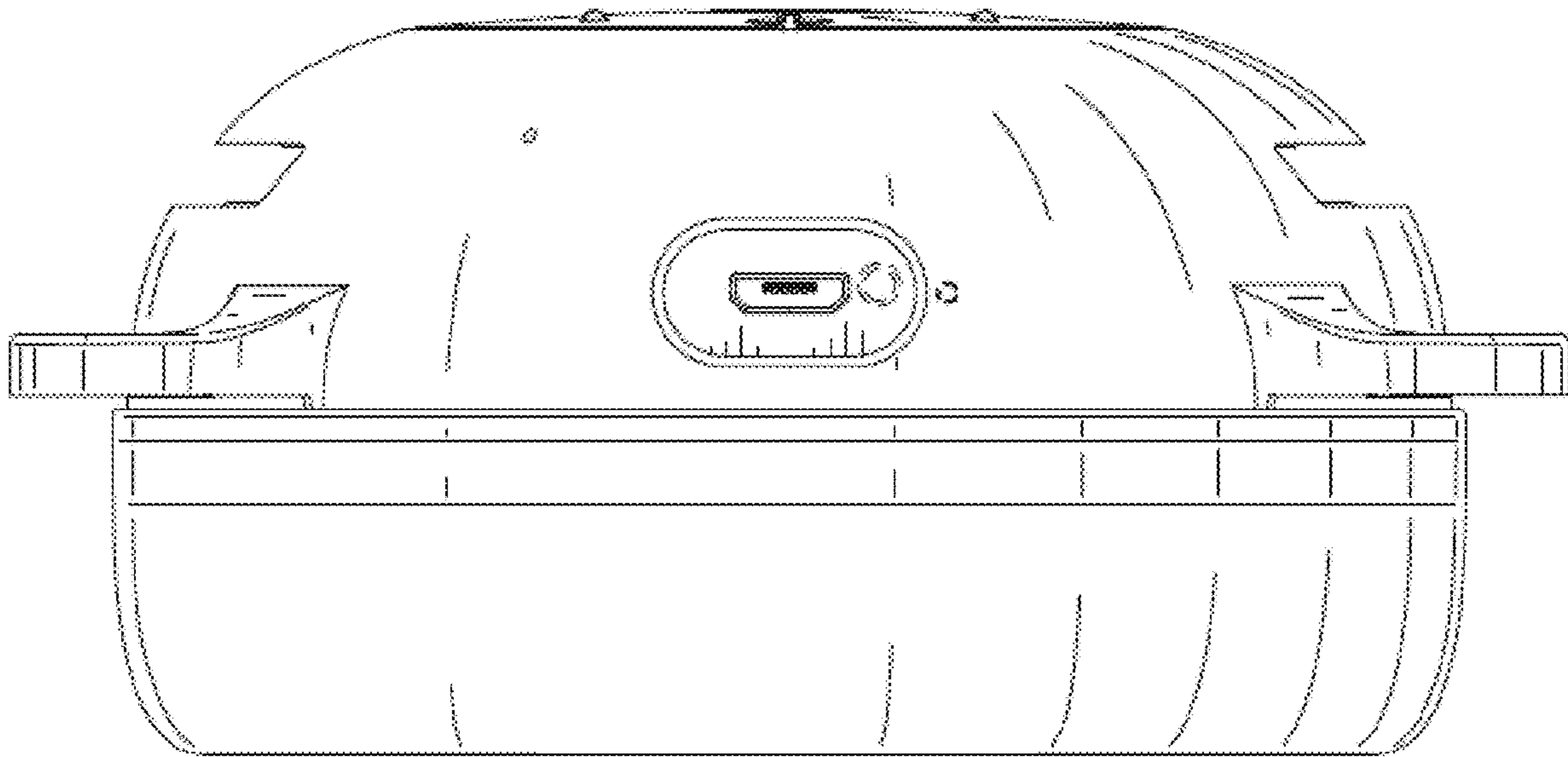


FIG. 7

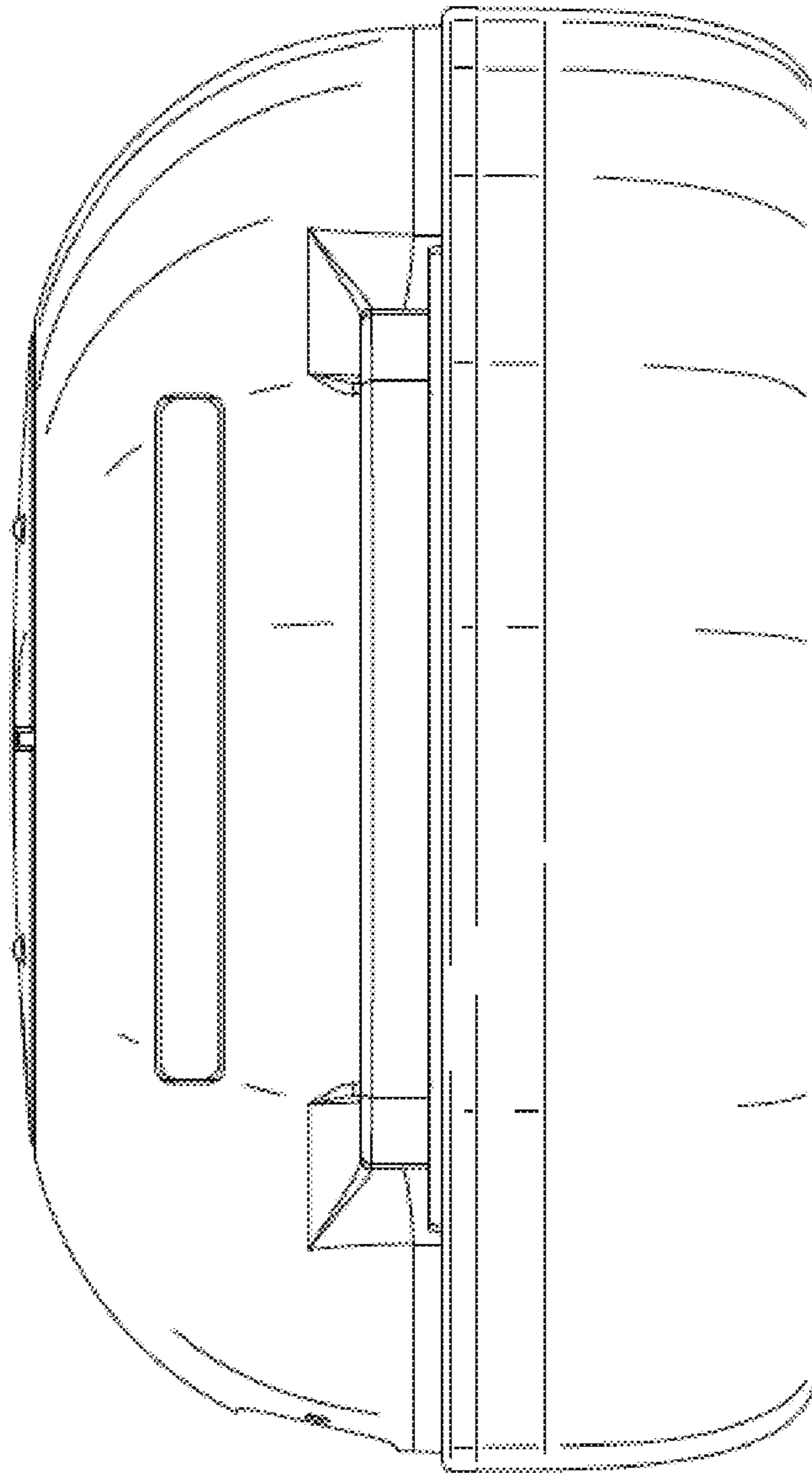


FIG. 8

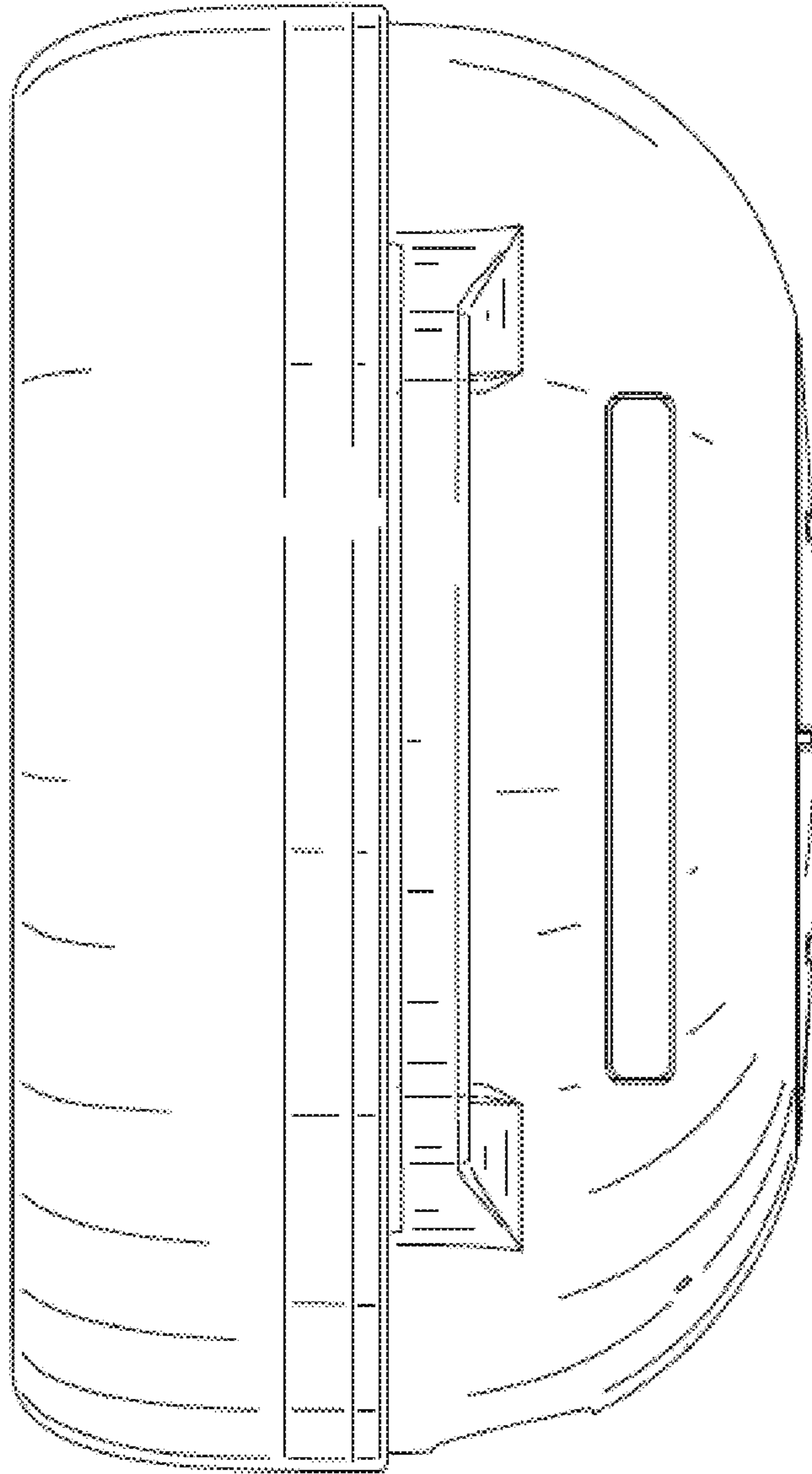


FIG. 9