



US00D909334S

(12) **United States Design Patent**  
**Yang**

(10) **Patent No.:** **US D909,334 S**  
(45) **Date of Patent:** **\*\* Feb. 2, 2021**

(54) **SPEAKER**

(71) Applicant: **Minglong Yang**, Guangdong (CN)  
(72) Inventor: **Minglong Yang**, Guangdong (CN)  
(\*\*) Term: **15 Years**

(21) Appl. No.: **29/714,285**

(22) Filed: **Nov. 21, 2019**

(30) **Foreign Application Priority Data**

Aug. 14, 2019 (CN) ..... 2019 3 0441165

(51) **LOC (13) Cl.** ..... **14-01**

(52) **U.S. Cl.**

USPC ..... **D14/204**; D14/214

(58) **Field of Classification Search**

USPC ..... D14/204–216, 155–159, 160–173, 187,  
D14/188, 203.1–203.8, 217–222, 225–229

CPC ..... H04R 1/02; H04R 1/021; H04R 1/023;  
H04R 5/00; H04R 9/06; H04R 2420/07

See application file for complete search history.

(56) **References Cited**

**U.S. PATENT DOCUMENTS**

D695,269 S *	12/2013	Carpenter	.....	D14/210
D736,742 S *	8/2015	Warden	.....	D14/214
D753,092 S *	4/2016	Warden	.....	D14/209.1
9,693,125 B2 *	6/2017	MacDonald	.....	H04R 1/02
D827,609 S *	9/2018	Zingali	.....	D14/214
D829,191 S *	9/2018	Yang	.....	D14/214
D836,596 S *	12/2018	Warden	.....	D14/204
2018/0376265 A1 *	12/2018	Warden	.....	H04R 27/00
2019/0281384 A1 *	9/2019	Yang	.....	H04R 1/403

**FOREIGN PATENT DOCUMENTS**

CN	201730224068	*	12/2017
EM	006349833-0001	*	4/2019
KR	3020190018860	*	2/2020
KR	3020160048030	*	4/2020
KR	3020190061889	*	9/2020
WO	WOD096069-001	*	10/2017

**OTHER PUBLICATIONS**

Bose S1 Pro Portable Bluetooth Speaker System, (c) 2018 [online], [retrieved Nov. 5, 2020], Retrieved from Internet, URL: <https://www.amazon.com/Bose-Bluetooth-Speaker-System-Battery/dp/B07BLZX73S/ref=asc\_df\_B07BLZX73S/?tag=hyprod-20&linkCode=df0&hvad=E2%80%A6> (Year: 2018).\*

S1 Pro System, 2017 [online], [retrieved Nov. 5, 2020], Retrieved from Internet, URL: <https://www.bose.com/en\_us/products/speakers/portable\_pa\_speakers/s1\_pro\_system.html?mc=25\_PS\_SP\_PL\_00\_GO\_&gclid=EAAlQobChMI8M%E2%80%A6#ProductTabs\_tab999> (Year: 2017).\*

\* cited by examiner

*Primary Examiner* — Barbara Fox  
*Assistant Examiner* — Aram Kwon

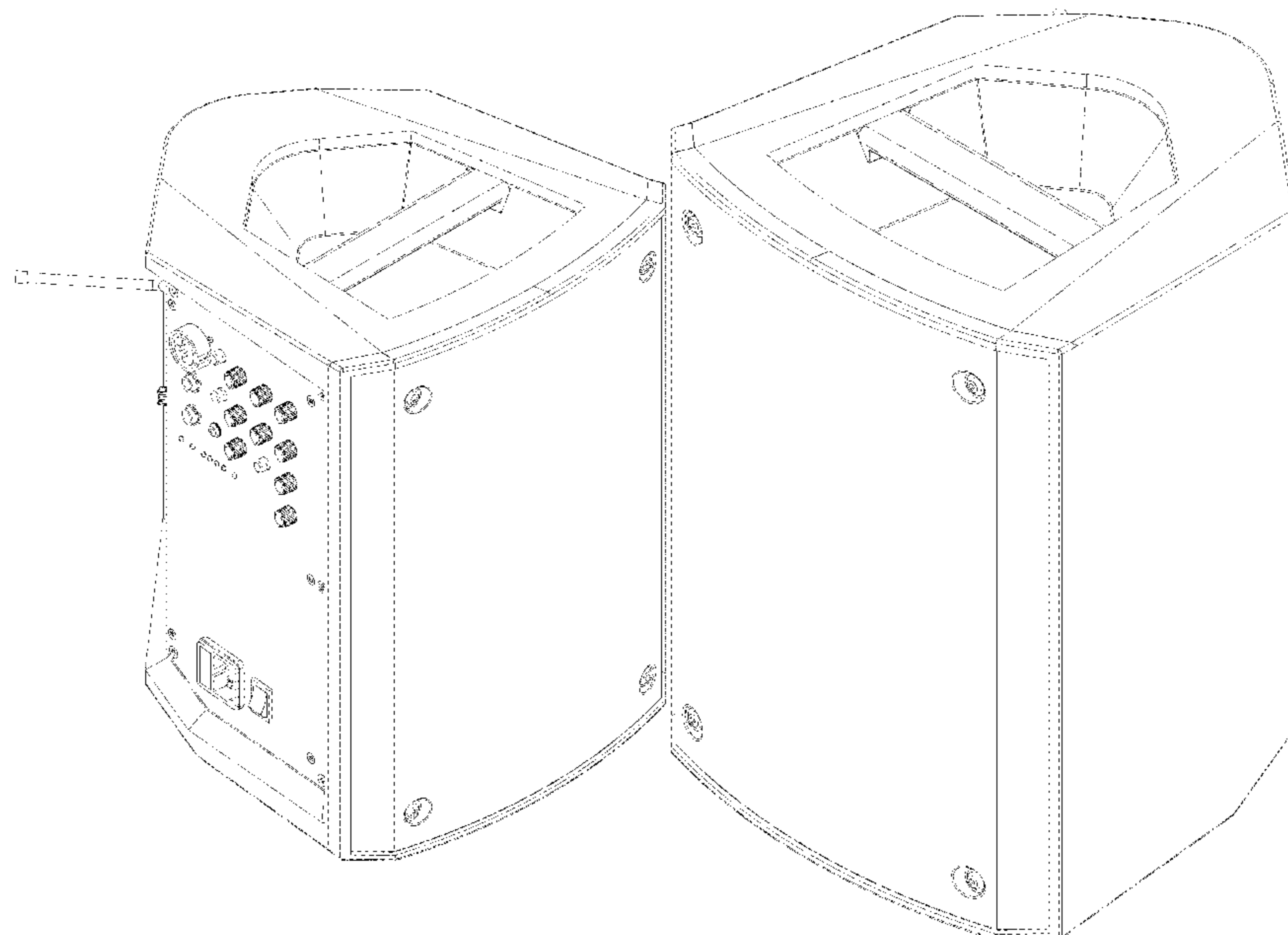
(57) **CLAIM**

The ornamental design for a speaker, as shown.

**DESCRIPTION**

FIG. 1 is a front elevational view of a speaker showing my new design;  
FIG. 2 is a rear elevational view thereof;  
FIG. 3 is a left side view thereof;  
FIG. 4 is a right side view thereof;  
FIG. 5 is a top plan view thereof;  
FIG. 6 is a bottom plan view thereof;  
FIG. 7 is a perspective view thereof;  
FIG. 8 is a second perspective view thereof;  
FIG. 9 is a third perspective view thereof; and,  
FIG. 10 is a fourth perspective view thereof.

**1 Claim, 10 Drawing Sheets**



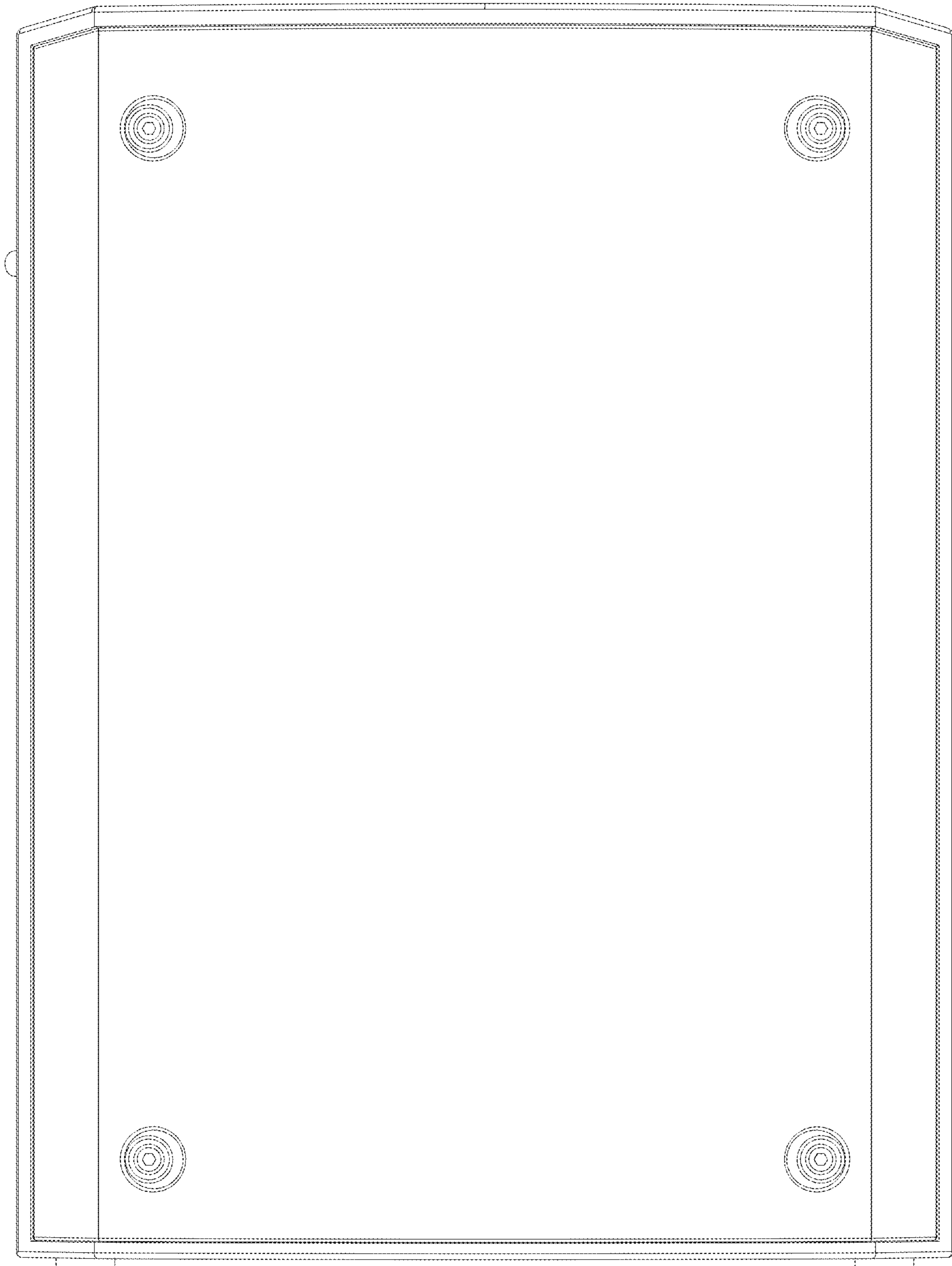


Fig. 1

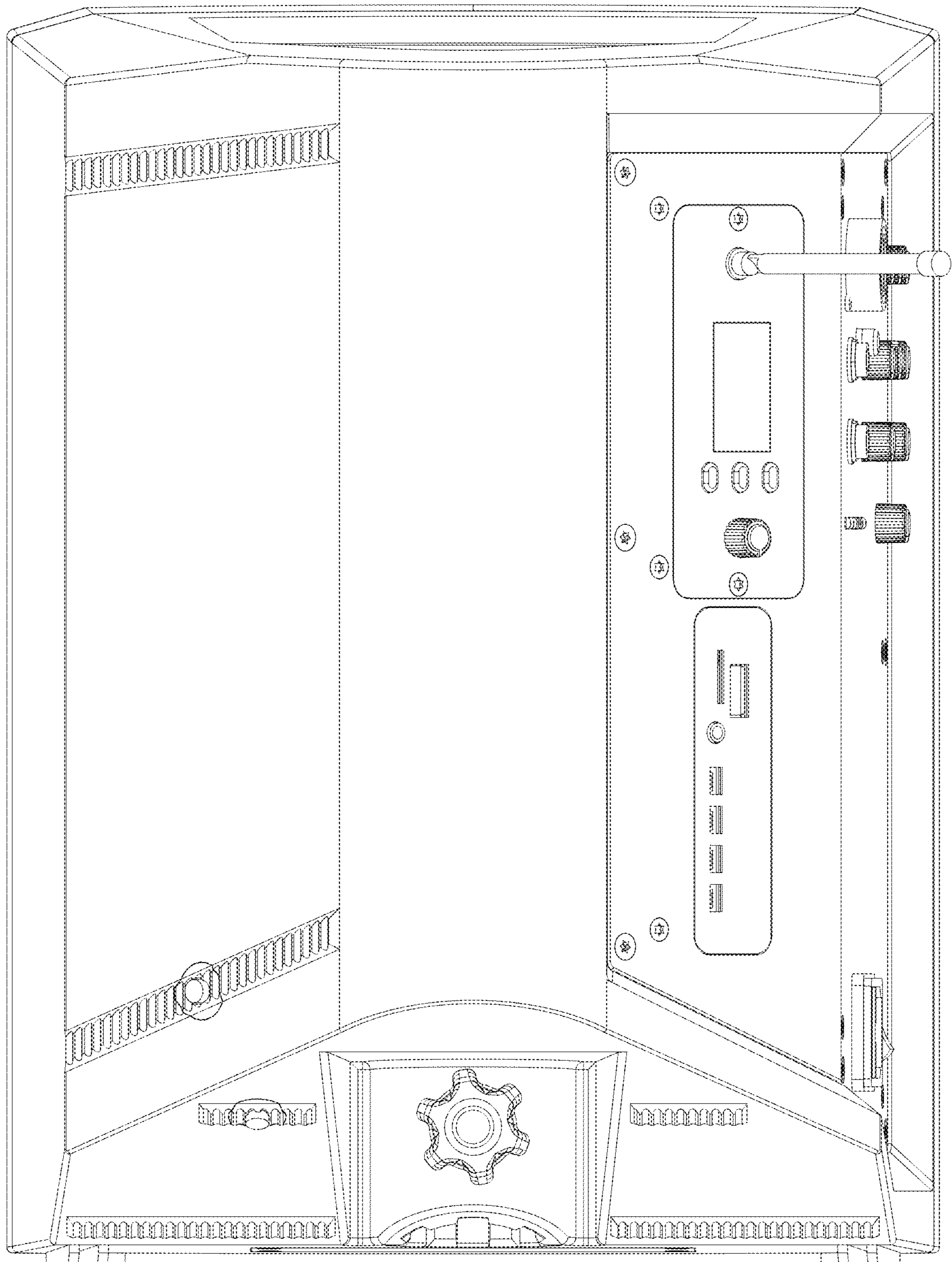


Fig. 2



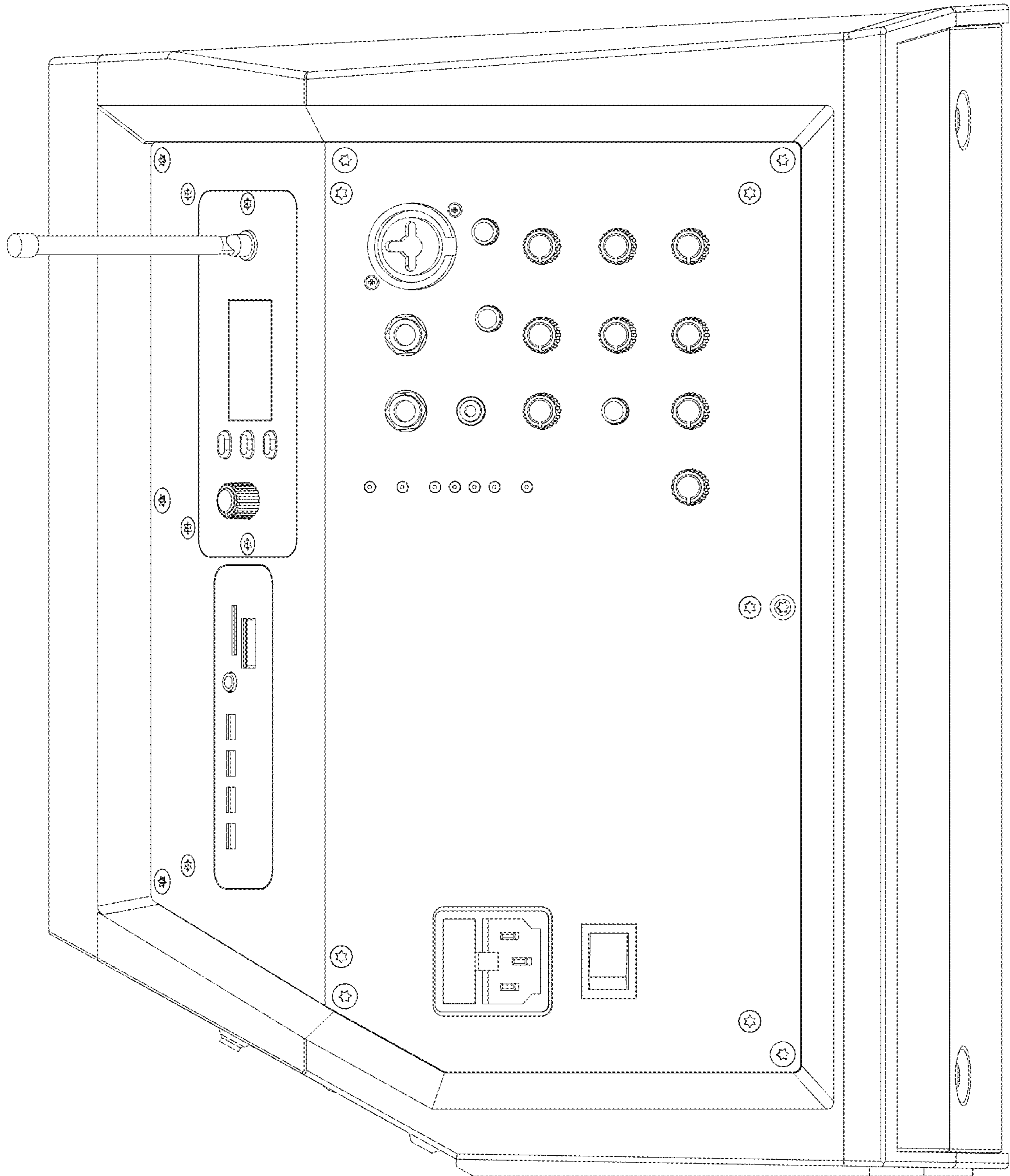


Fig. 3

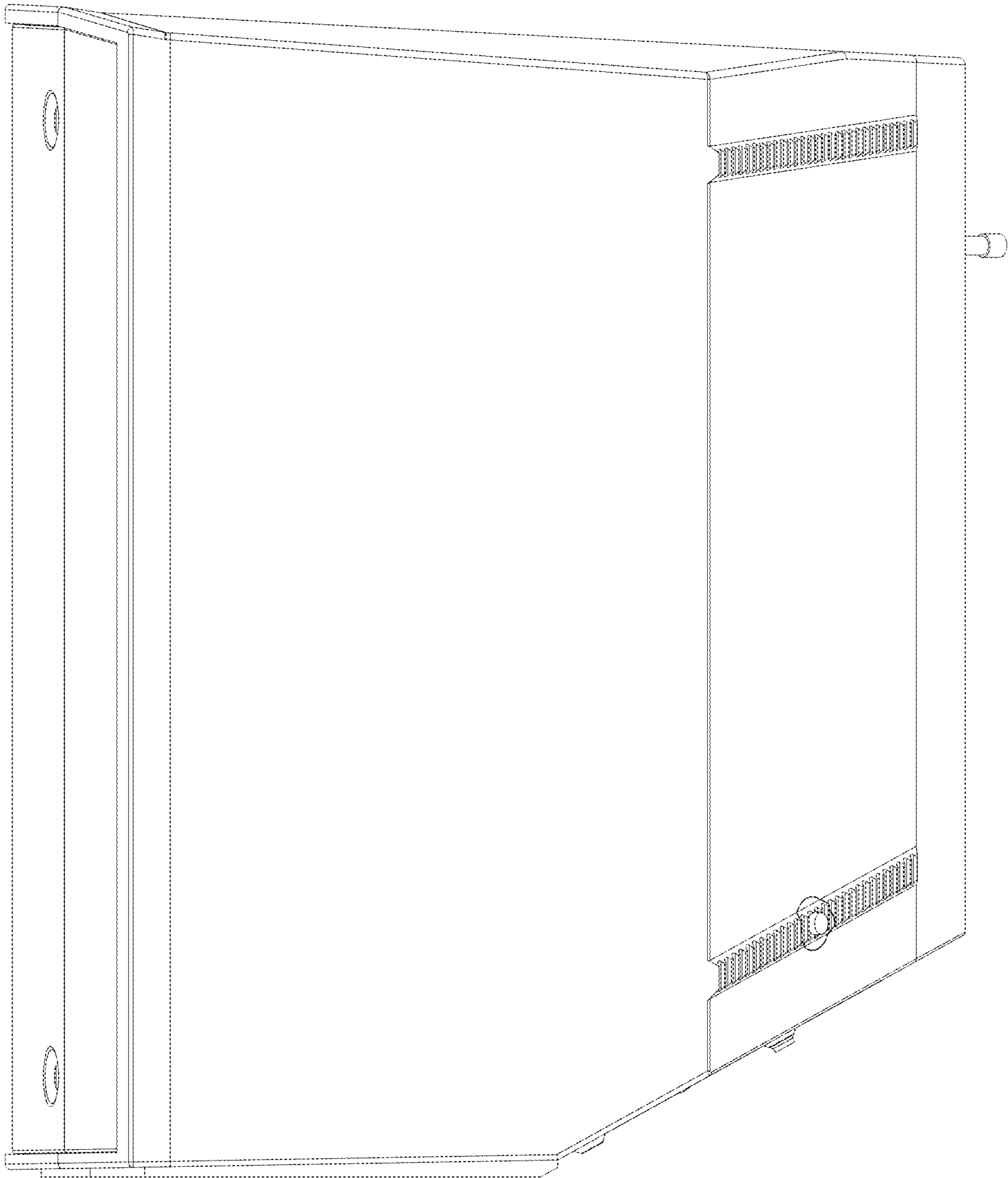


Fig. 4

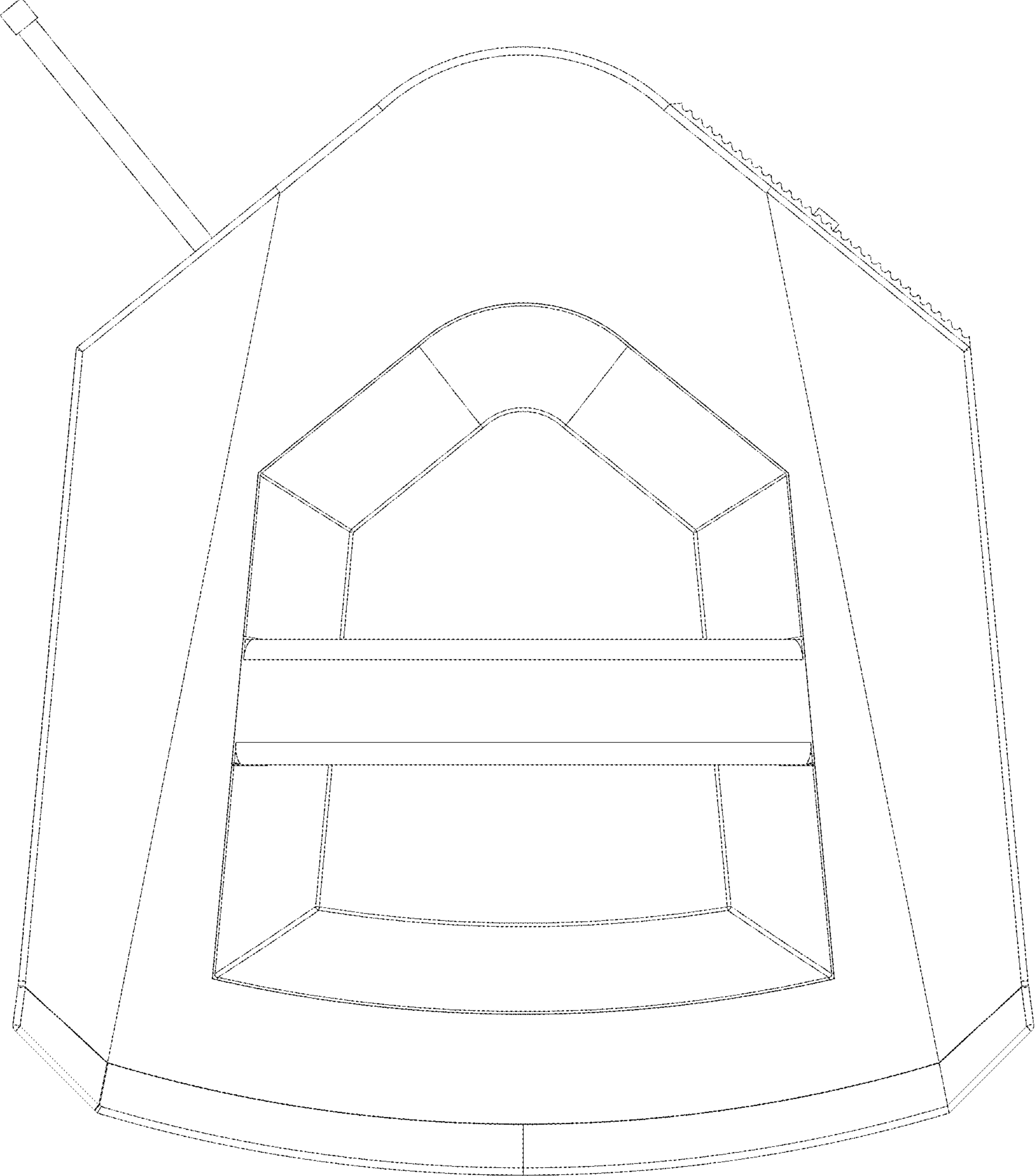


Fig. 5

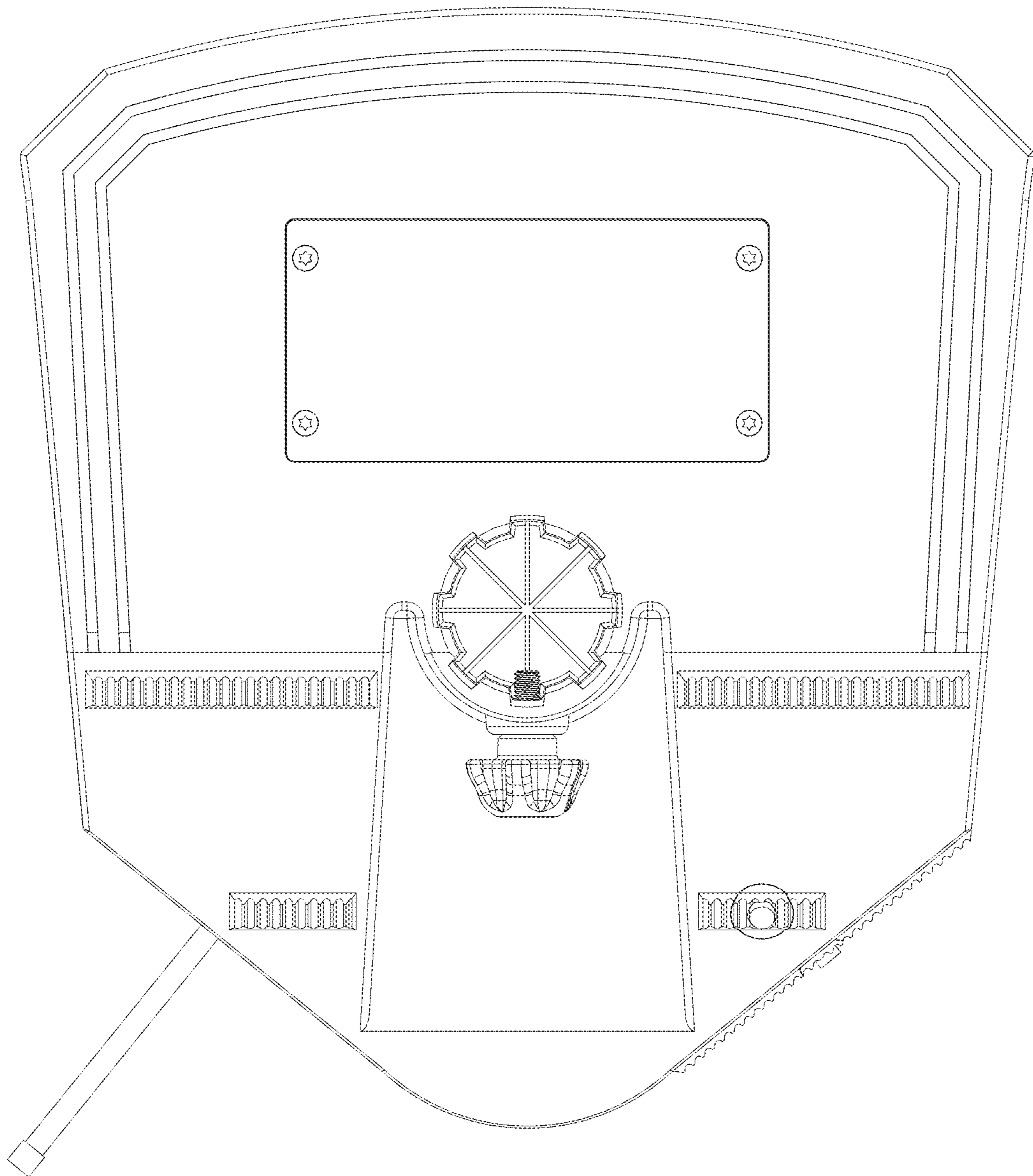


Fig. 6

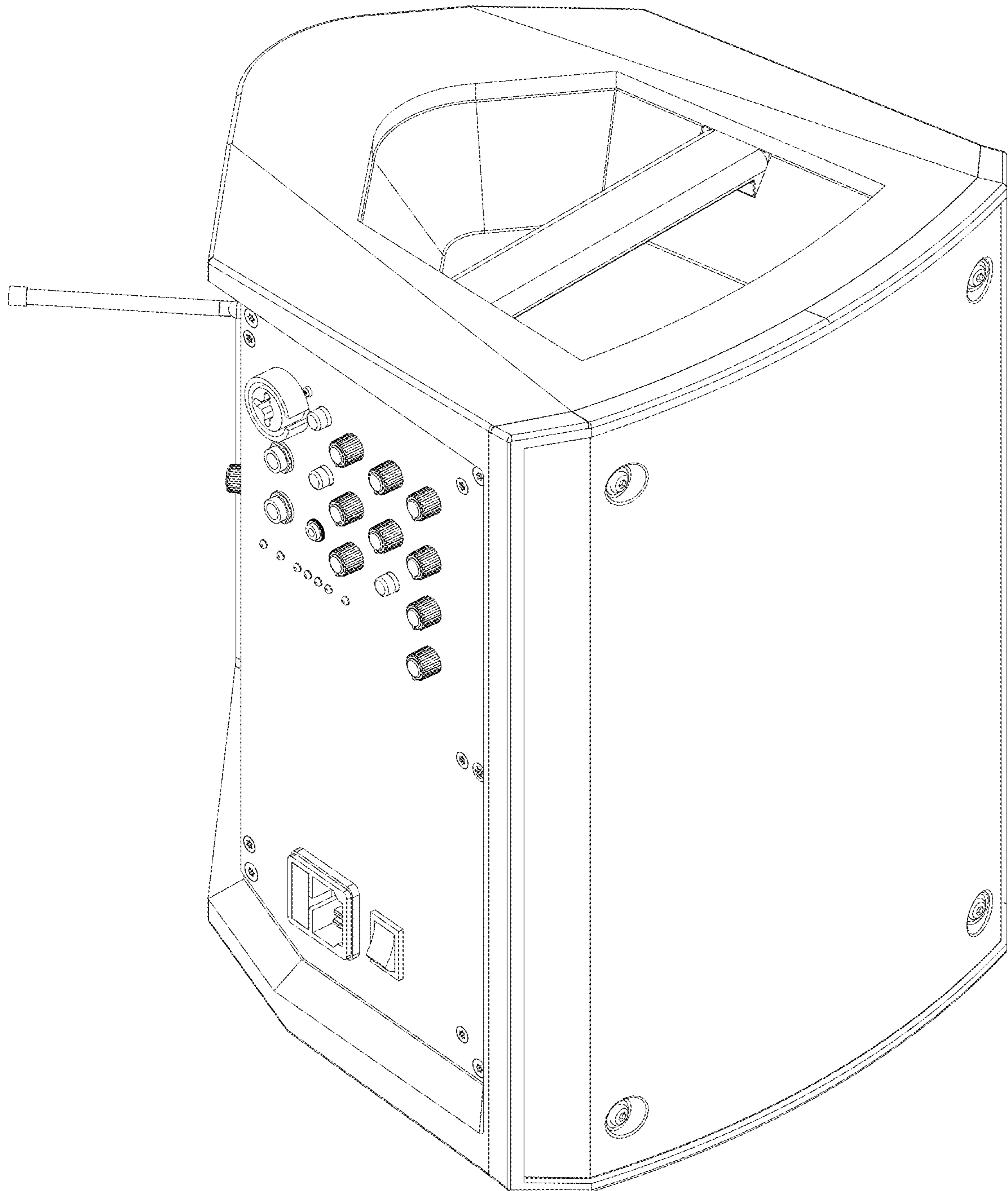


Fig. 7



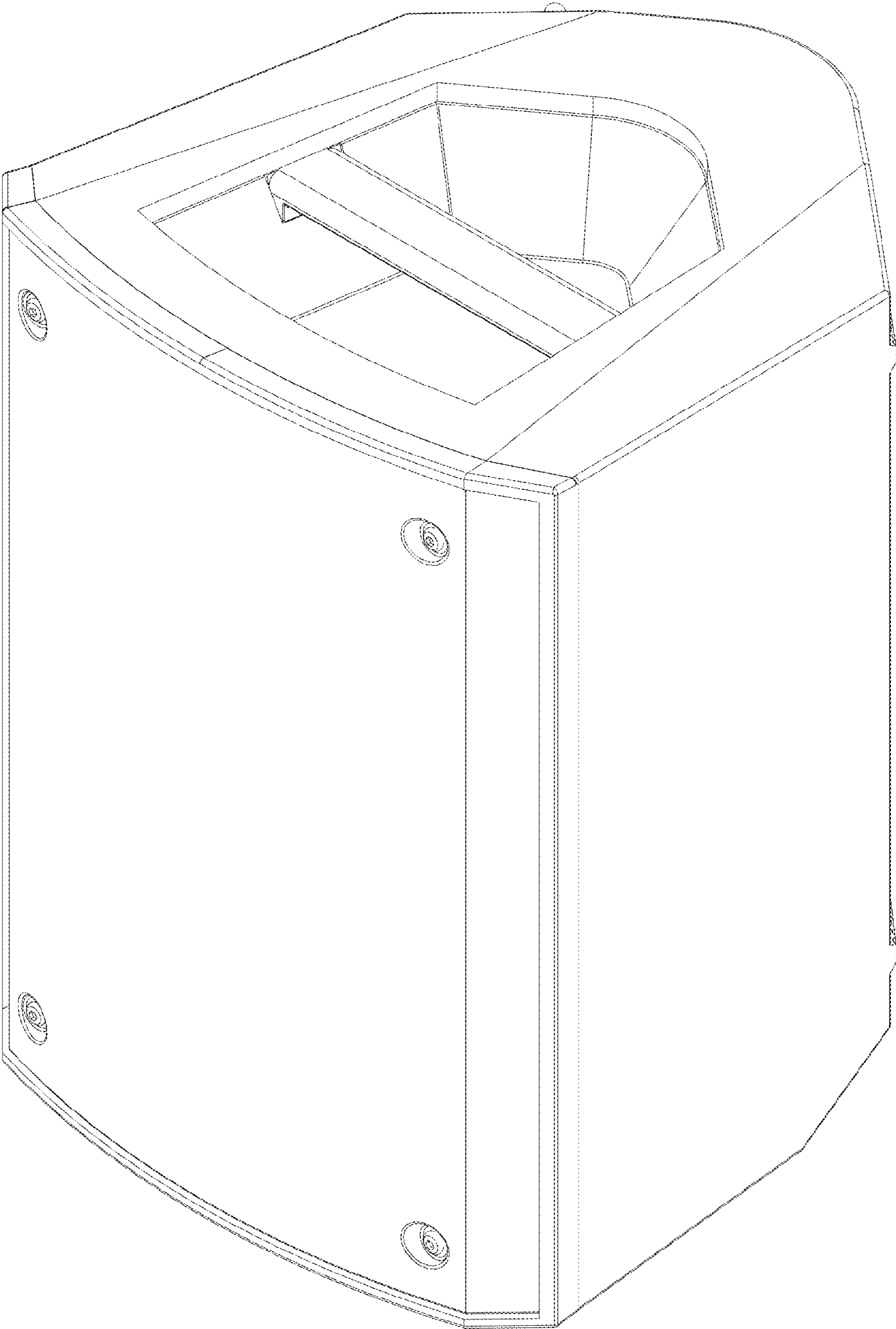


Fig. 8

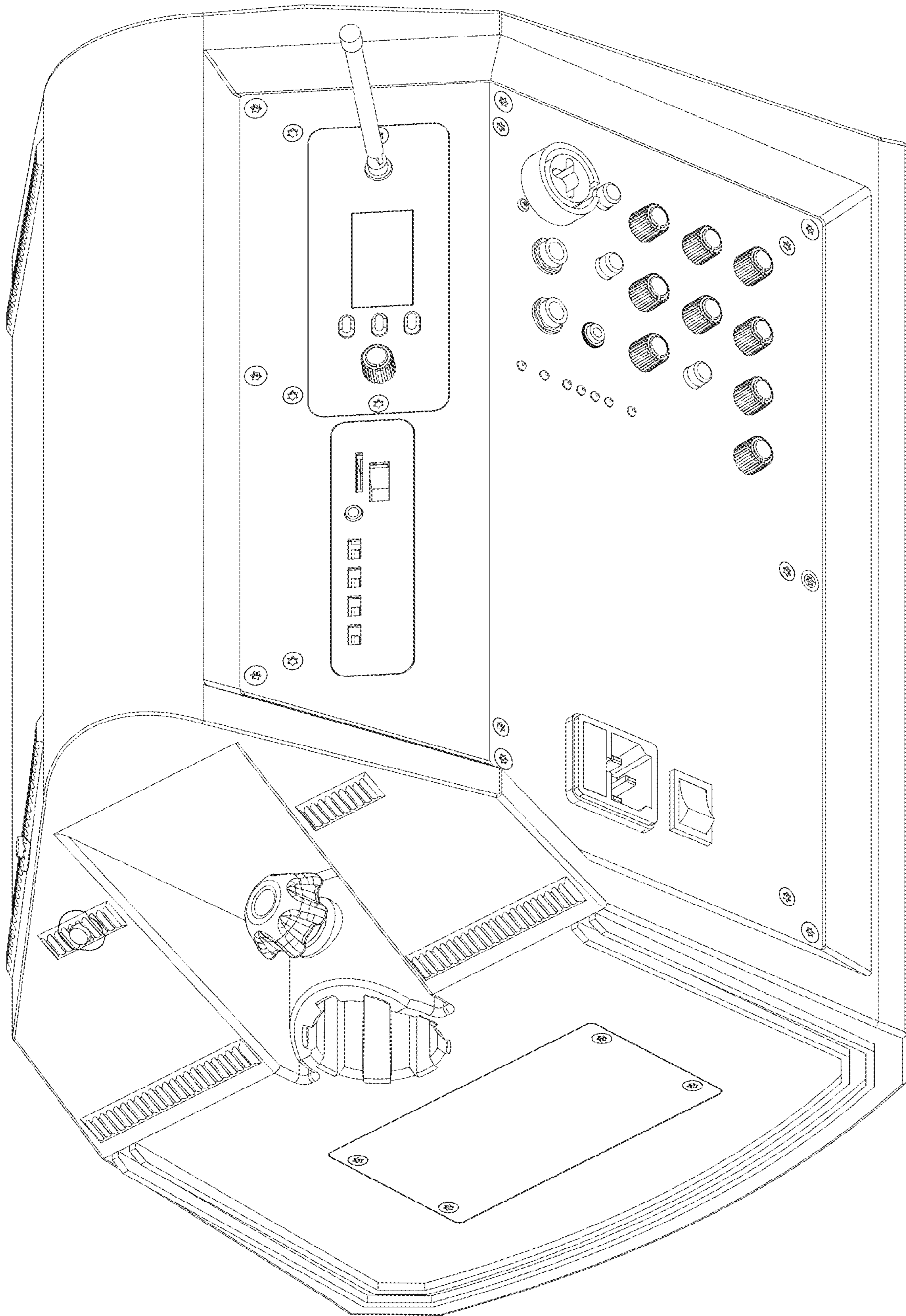


Fig. 9

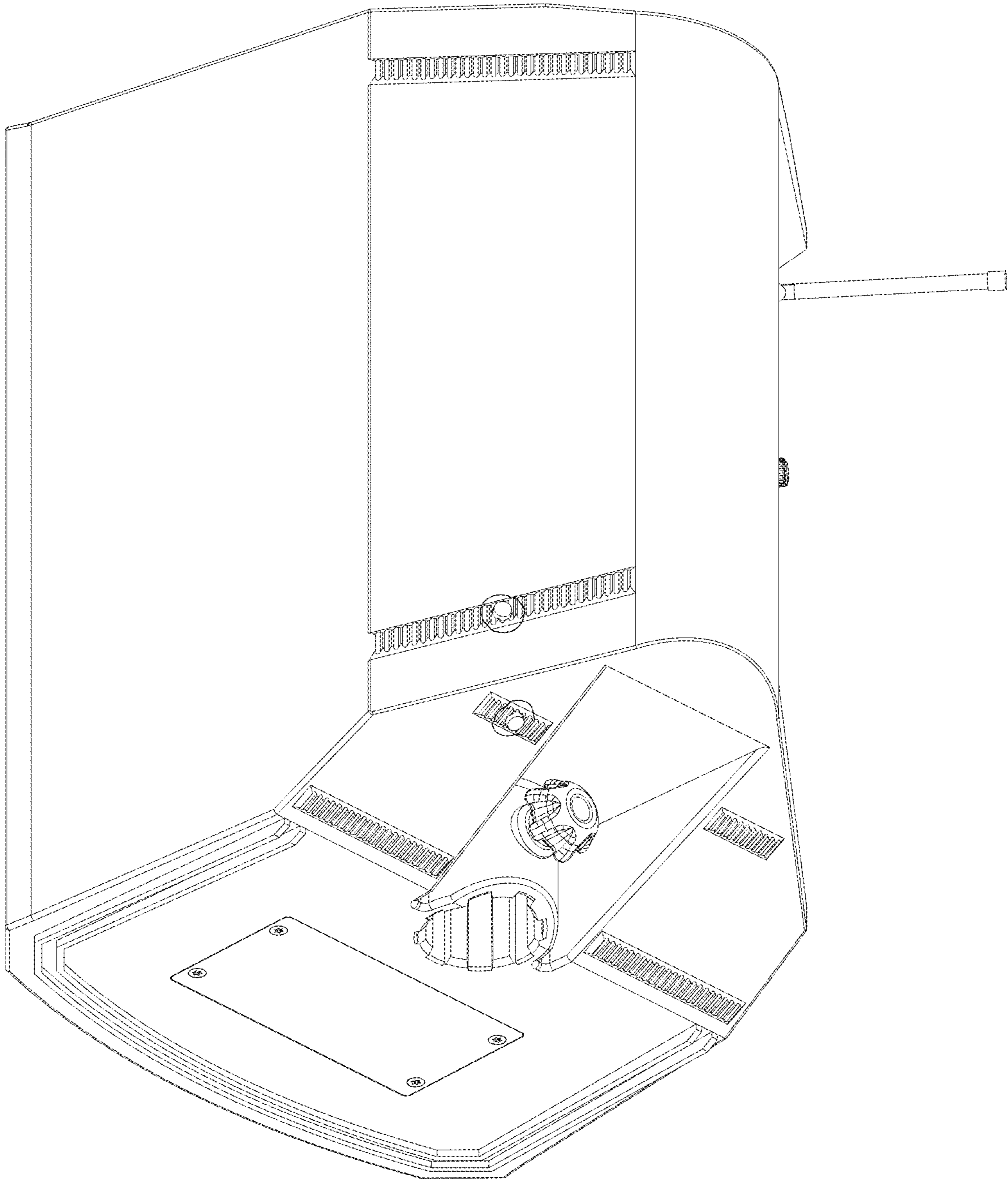


Fig. 10