



US00D909325S

(12) **United States Design Patent** (10) **Patent No.:** **US D909,325 S**  
**Lee et al.** (45) **Date of Patent:** **\*\* Feb. 2, 2021**

(54) **MODULAR DISPLAY UNIT**

(71) Applicant: **Samsung Electronics Co., Ltd.**,  
Suwon-si (KR)

(72) Inventors: **Jaeneung Lee**, Ansan-si (KR);  
**Chul-Yong Cho**, Seoul (KR)

(73) Assignee: **Samsung Electronics Co., Ltd.**,  
Suwon-si (KR)

(\*\*) Term: **15 Years**

(21) Appl. No.: **29/690,733**

(22) Filed: **May 10, 2019**

(30) **Foreign Application Priority Data**

Nov. 15, 2018 (KR) ..... 30-2018-0052946

(51) **LOC (13) Cl.** ..... **14-03**

(52) **U.S. Cl.**  
USPC ..... **D14/126; D14/129**

(58) **Field of Classification Search**  
USPC ..... D14/125–137, 239, 250, 314–316, 322,  
D14/326, 336, 337; D10/65; D6/300  
(Continued)

(56) **References Cited**

**U.S. PATENT DOCUMENTS**

4,818,639 A \* 4/1989 Kunz ..... H01M 8/244  
429/472  
D327,263 S \* 6/1992 Ogawa ..... D14/137  
(Continued)

**FOREIGN PATENT DOCUMENTS**

EM 003566926-0001 1/2017  
KR 30-2007-0028349 9/2007  
(Continued)

**OTHER PUBLICATIONS**

Samsung's 75-inch MicroLED 4K TV is a huge step into the future,  
Jan. 6, 2019 [online], [retrieved Sep. 17, 2020], Retrieved from

Internet, URL: <<https://www.theverge.com/2019/1/6/18168793/samsungs-75-inch-microled-4k-tv-picture-quality-ces-2019>> (Year: 2019).\*

(Continued)

*Primary Examiner* — Barbara Fox

*Assistant Examiner* — Aram Kwon

(74) *Attorney, Agent, or Firm* — NSIP Law

(57) **CLAIM**

We claim the ornamental design for a modular display unit,  
as shown and described.

**DESCRIPTION**

FIG. 1 is a front perspective view of a modular display unit showing our new design according to a first embodiment; FIG. 2 is a front view thereof; FIG. 3 is a rear view thereof; FIG. 4 is a left-side view thereof; FIG. 5 is a right-side view thereof; FIG. 6 is a top view thereof; FIG. 7 is a bottom view thereof; FIG. 8 is an enlarged view of the encircled portion in FIG. 5; FIG. 9 is an enlarged view of the encircled portion in FIG. 6; FIG. 10 is a front perspective view of a modular display unit showing our new design according to a second embodiment; FIG. 11 is a front view thereof; FIG. 12 is a rear view thereof; FIG. 13 is a left-side view thereof; FIG. 14 is a right-side view thereof; FIG. 15 is a top view thereof; FIG. 16 is a bottom view thereof; FIG. 17 is an enlarged view of the encircled portion in FIG. 14; FIG. 18 is an enlarged view of the encircled portion in FIG. 15; FIG. 19 is a front perspective view of a modular display unit showing our new design according to a third embodiment; FIG. 20 is a front view thereof;

(Continued)

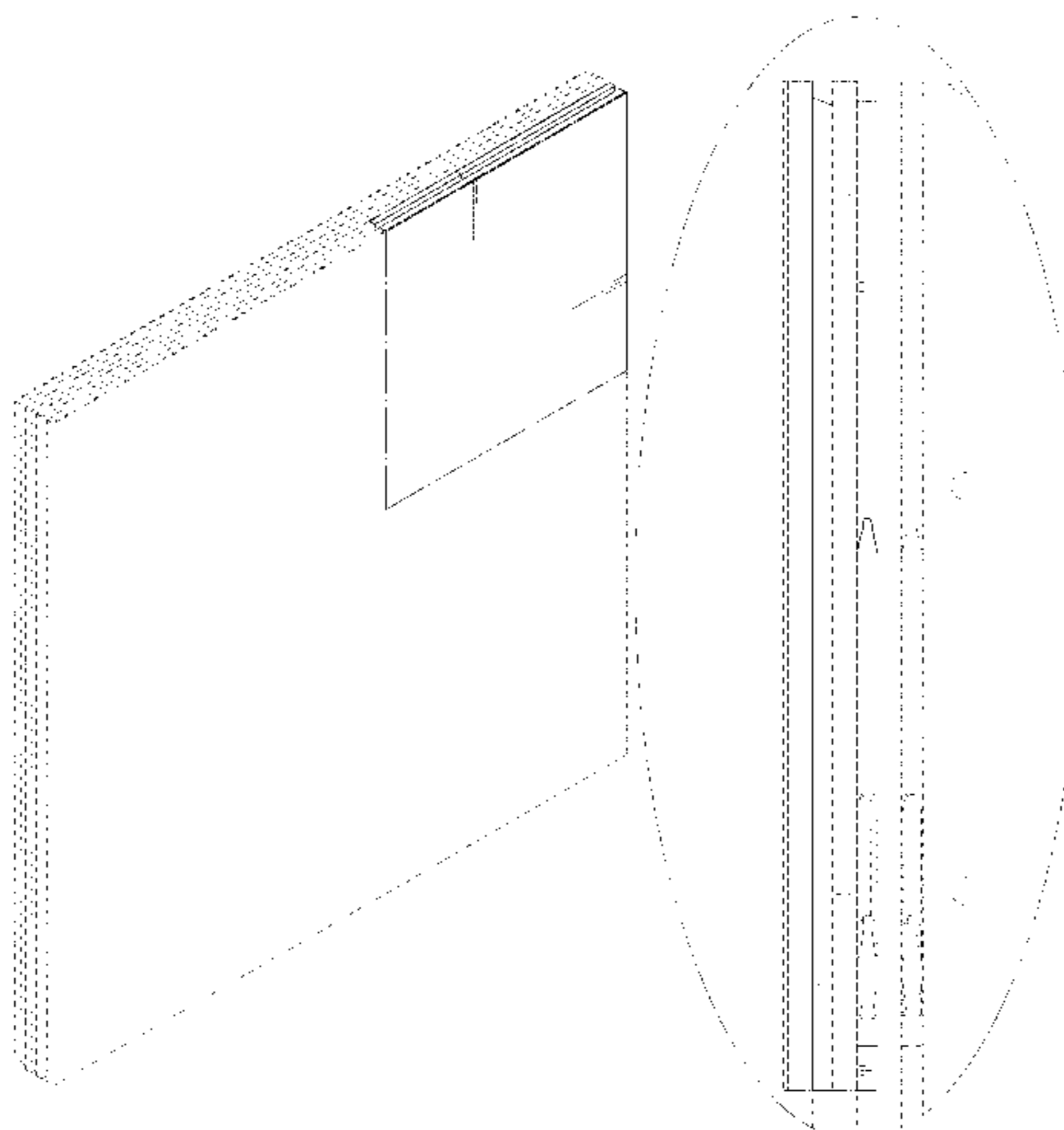


FIG. 21 is a rear view thereof;  
 FIG. 22 is a left-side view thereof;  
 FIG. 23 is a right-side view thereof;  
 FIG. 24 is a top view thereof;  
 FIG. 25 is a bottom view thereof;  
 FIG. 26 is an enlarged view of the encircled portion in FIG. 23;  
 FIG. 27 is an enlarged view of the encircled portion in FIG. 24;  
 FIG. 28 is a front perspective view of a modular display unit showing our new design according to a fourth embodiment;  
 FIG. 29 is a front view thereof;  
 FIG. 30 is a rear view thereof;  
 FIG. 31 is a left-side view thereof;  
 FIG. 32 is a right-side view thereof;  
 FIG. 33 is a top view thereof; and  
 FIG. 34 is a bottom view thereof.  
 FIG. 35 is an enlarged view of the encircled portion in FIG. 32; and,  
 FIG. 36 is an enlarged view of the encircled portion in FIG. 33.  
 The broken lines in the figures showing portions of the modular display unit form no part of the claimed design. The dot-dash lines in the figures represent a boundary of the claimed design and form no part thereof. The dot-dot-dash broken lines encircling enlargement portions of the claimed design form no part of the claimed design.

**1 Claim, 28 Drawing Sheets**

(58) **Field of Classification Search**

CPC ..... G06F 1/16; G06F 1/1601; G06F 1/1637;  
 H04N 5/64; H05K 5/0204; H05K 5/0017;  
 H05K 5/0217

See application file for complete search history.

(56)

**References Cited**

U.S. PATENT DOCUMENTS

D330,029	S	*	10/1992	Kawaguchi	.....	D14/212
D727,274	S	*	4/2015	Park	.....	D14/125
D737,817	S	*	9/2015	Starck	.....	D14/365
D767,533	S	*	9/2016	Mchatet	.....	D14/214
D804,712	S		12/2017	Cai et al.		
D824,381	S	*	7/2018	Collins	.....	D14/315
D824,897	S	*	8/2018	Collins	.....	D14/315
D879,731	S	*	3/2020	Kim	.....	D14/126
D879,745	S	*	3/2020	Lyu	.....	D14/214
D886,800	S	*	6/2020	Modestine	.....	D14/214
2010/0159160	A1	*	6/2010	Basile	.....	G09F 15/0068 428/14
2019/0384560	A1	*	12/2019	Seo	.....	H05K 5/0017
2020/0225903	A1	*	7/2020	Cohen	.....	G06F 3/041

FOREIGN PATENT DOCUMENTS

KR	30-2009-0011057		10/2010
KR	30-2013-0010361		2/2014
WO	WOD202750-001	*	11/2019
WO	WOD202944-001	*	1/2020
WO	WOD202944-002	*	1/2020
WO	WOD202944-003	*	1/2020

OTHER PUBLICATIONS

Focono. "K Series" [2019] [www.focono.com](http://www.focono.com) May 9, 2019 <[https://www.focono.com/ledxs/info\\_12.aspx](https://www.focono.com/ledxs/info_12.aspx)>.  
 C&E Tech USA Inc. "LED Outdoor Display" [2019] [www.cetechusa.com](http://www.cetechusa.com) May 9, 2019 <<http://www.cetechusa.com/product/147.html>>.  
 Flynn, Conner. "Samsung announces LED square display" [2012] [www.geeky-gadgets.com](http://www.geeky-gadgets.com) Aug. 27, 2012 <[https://www.geeky-gadgets.com/samsung-announces-led-square-display-27-08-2012/?utm\\_source=feedburner&utm\\_medium=feed&utm\\_campaign=Feed%3A+geeky-gadgets+%028Geeky+Gadgets%029](https://www.geeky-gadgets.com/samsung-announces-led-square-display-27-08-2012/?utm_source=feedburner&utm_medium=feed&utm_campaign=Feed%3A+geeky-gadgets+%028Geeky+Gadgets%029)>.

\* cited by examiner

FIG. 1

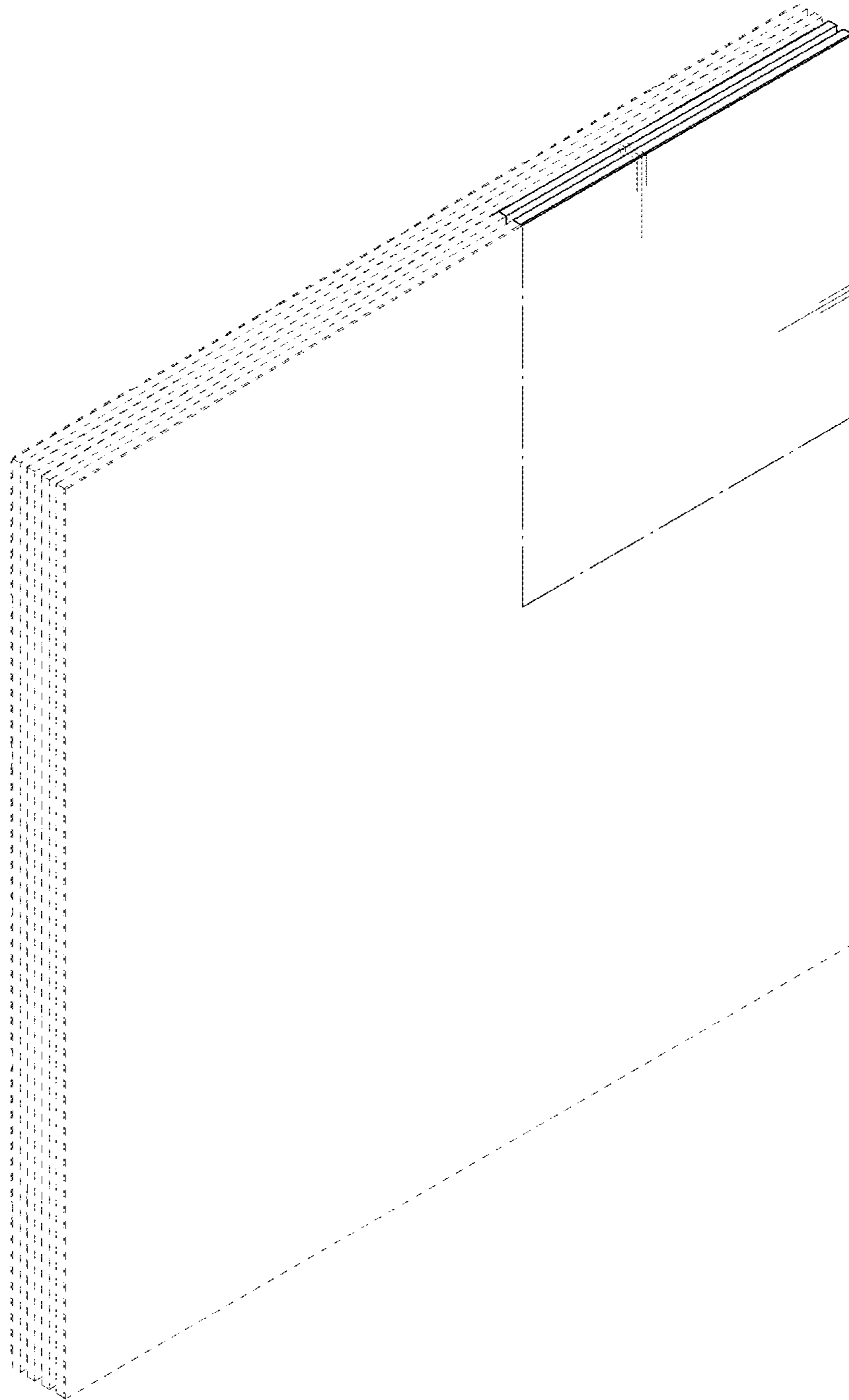


FIG. 2

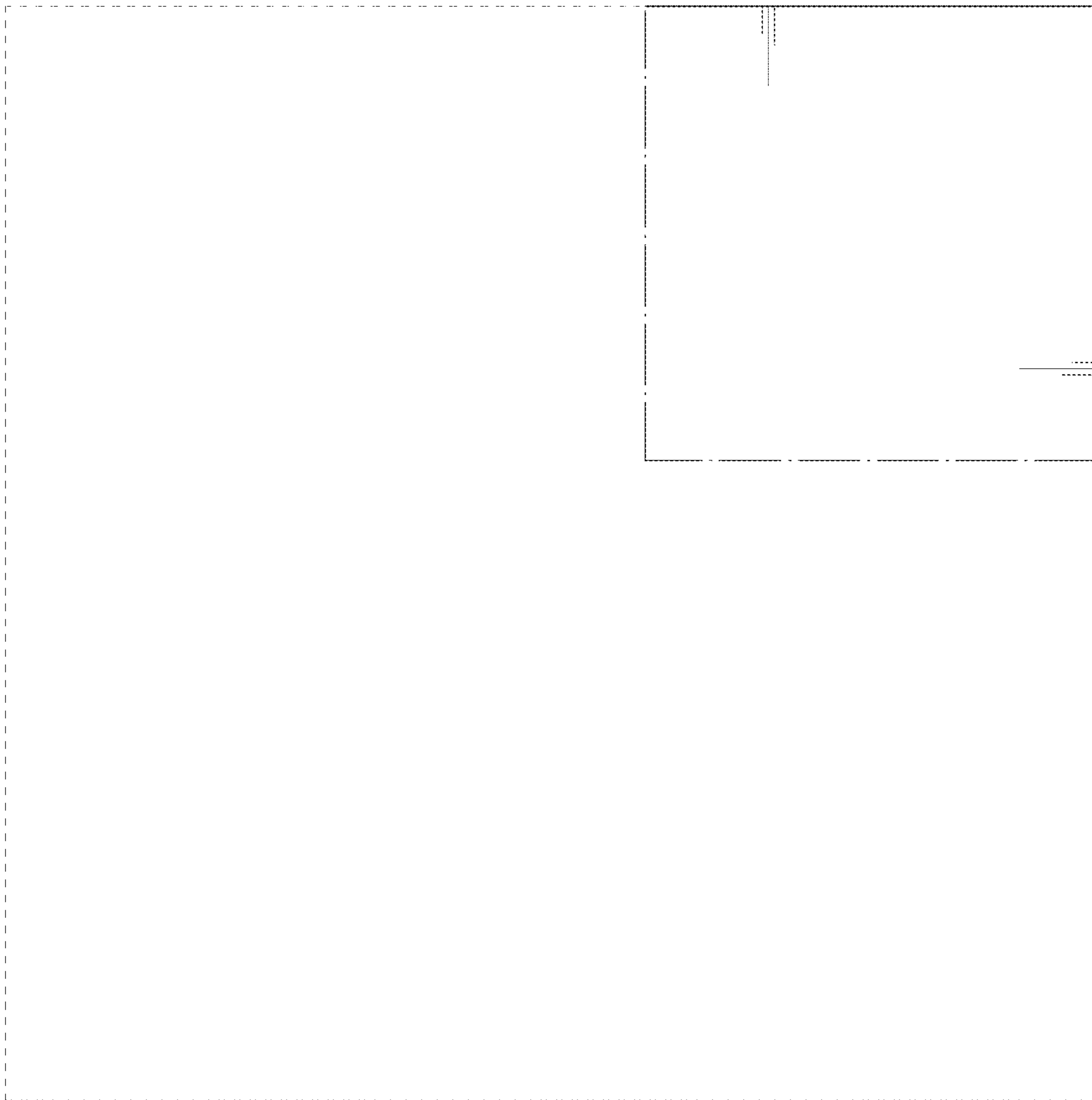


FIG. 3

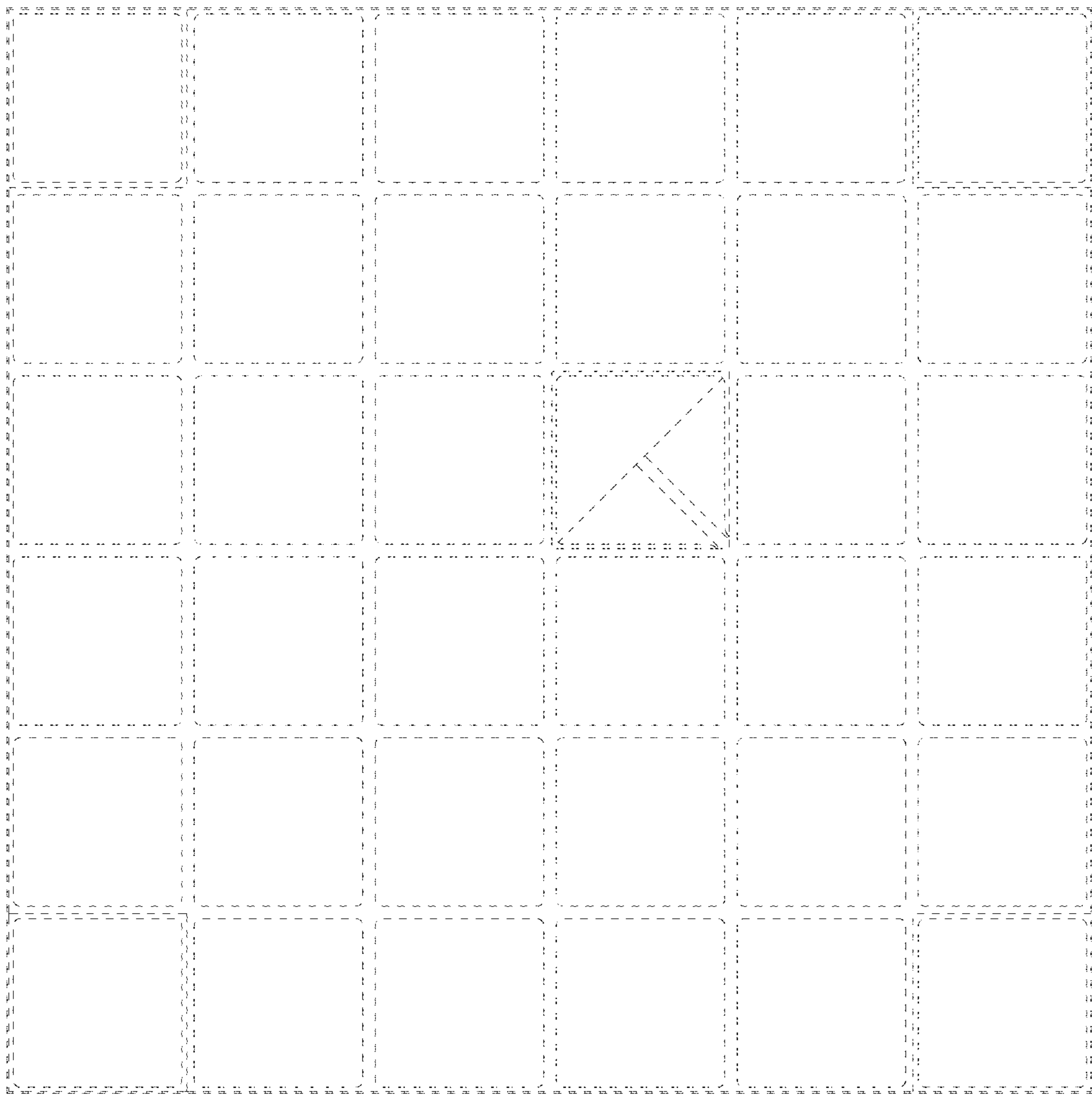


FIG. 4

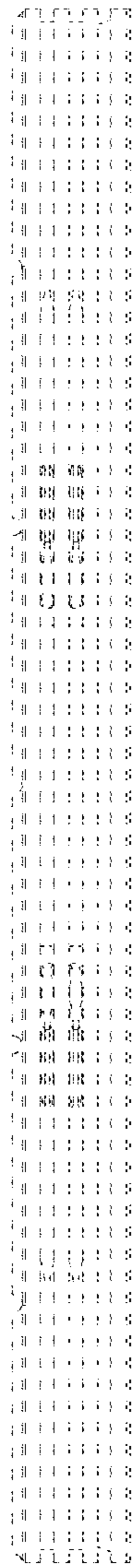


FIG. 5

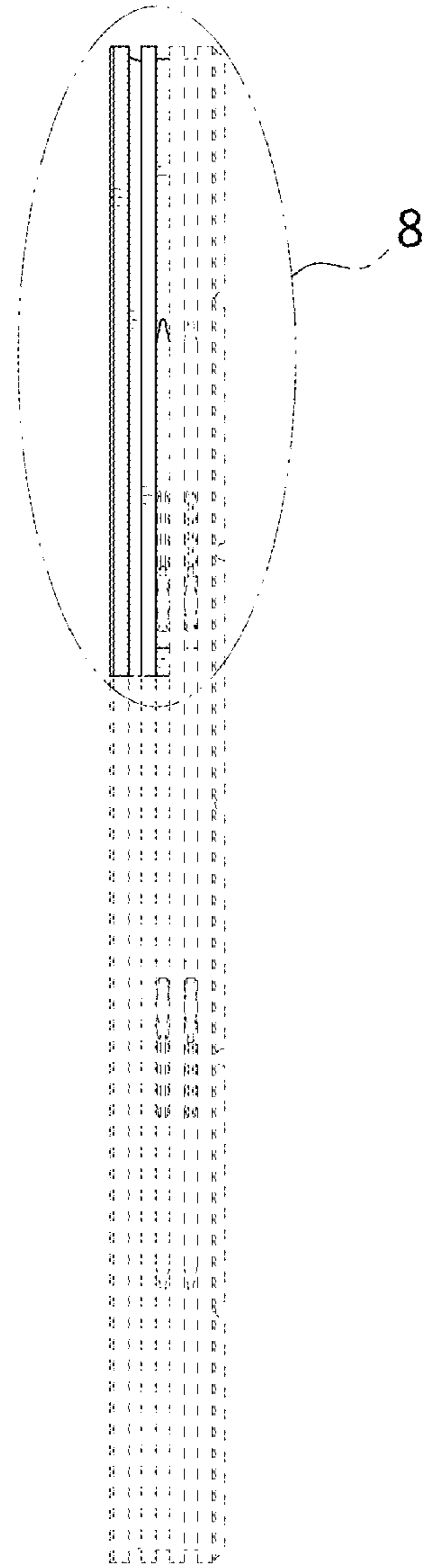


FIG. 6

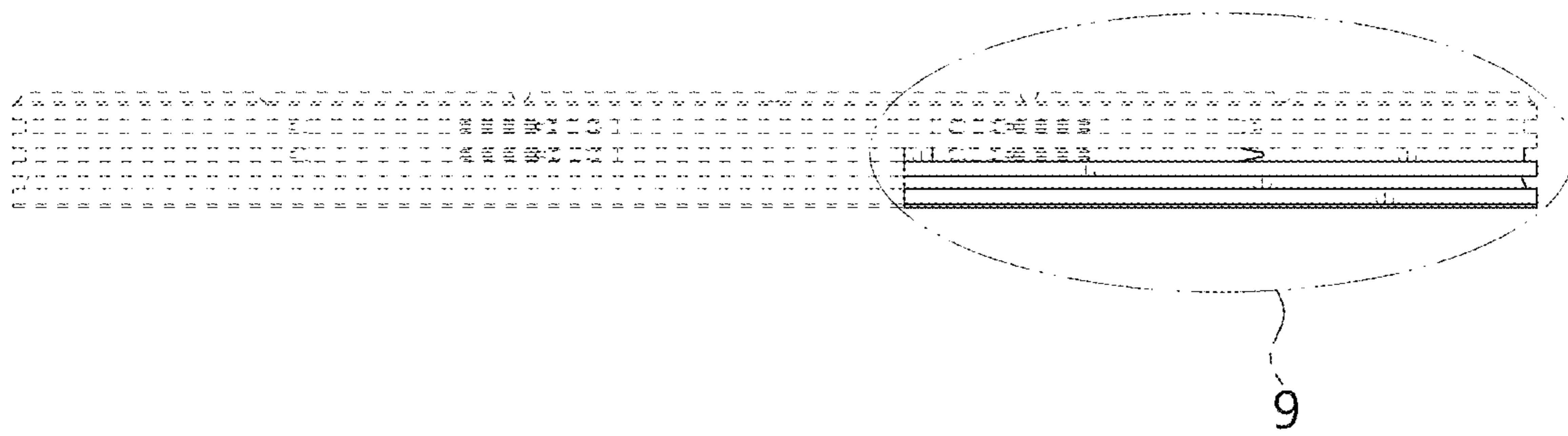


FIG. 7

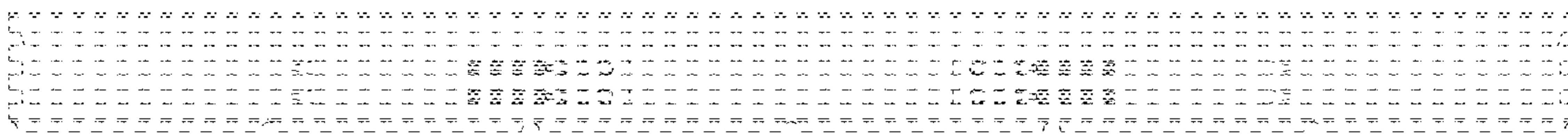


FIG. 8

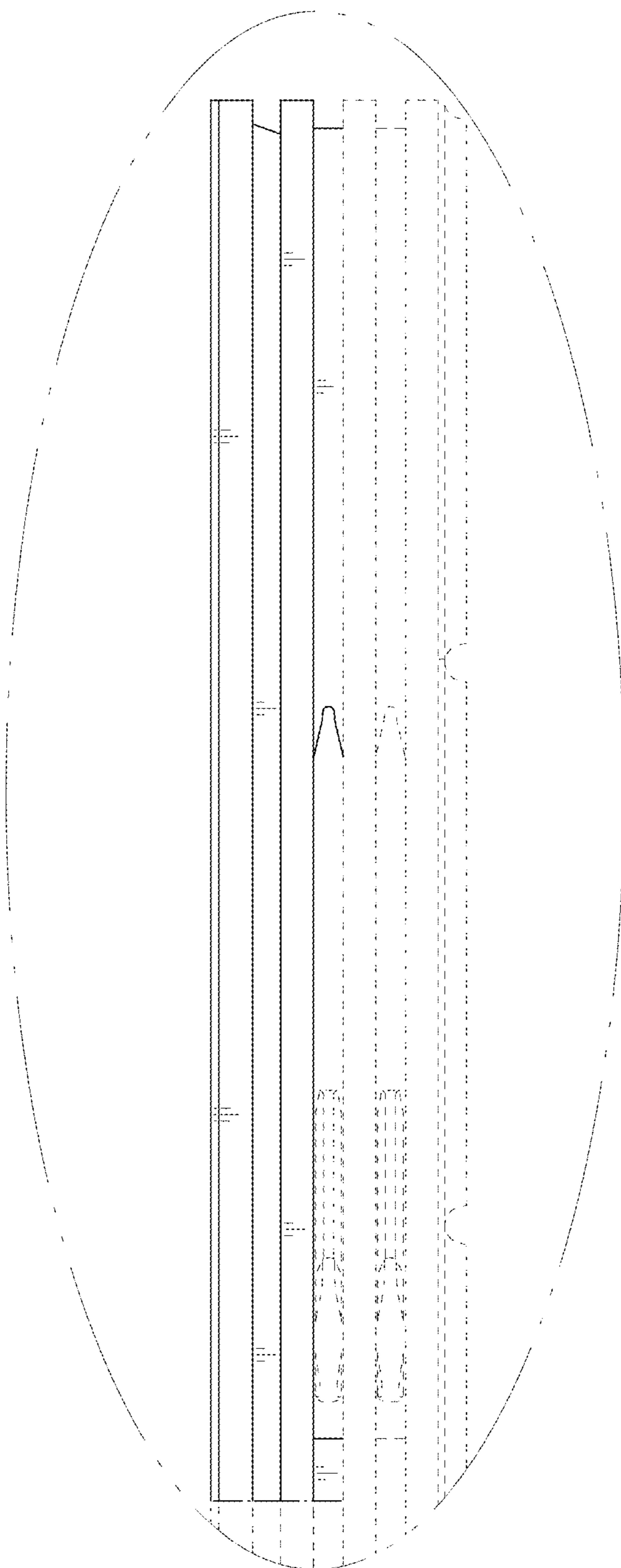




FIG. 9

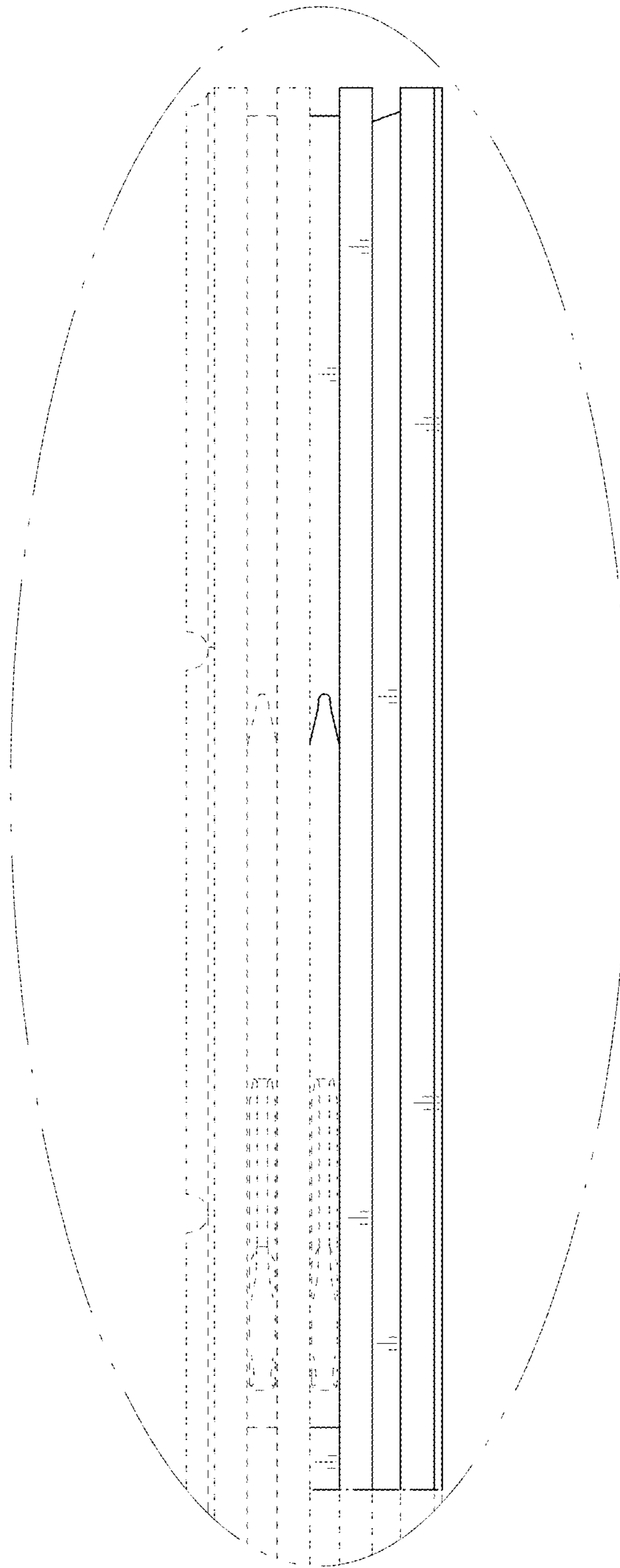


FIG. 10

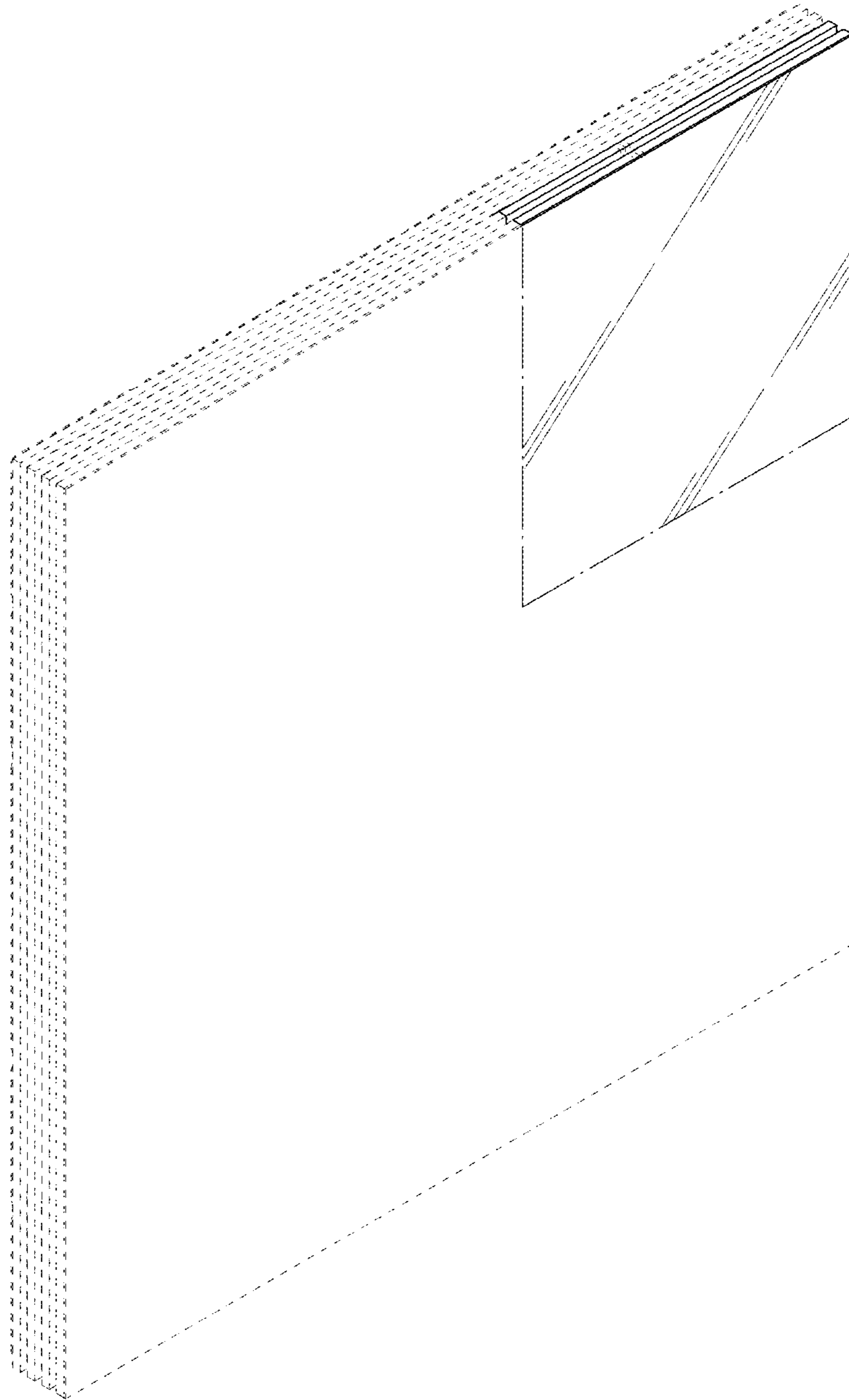


FIG. 11

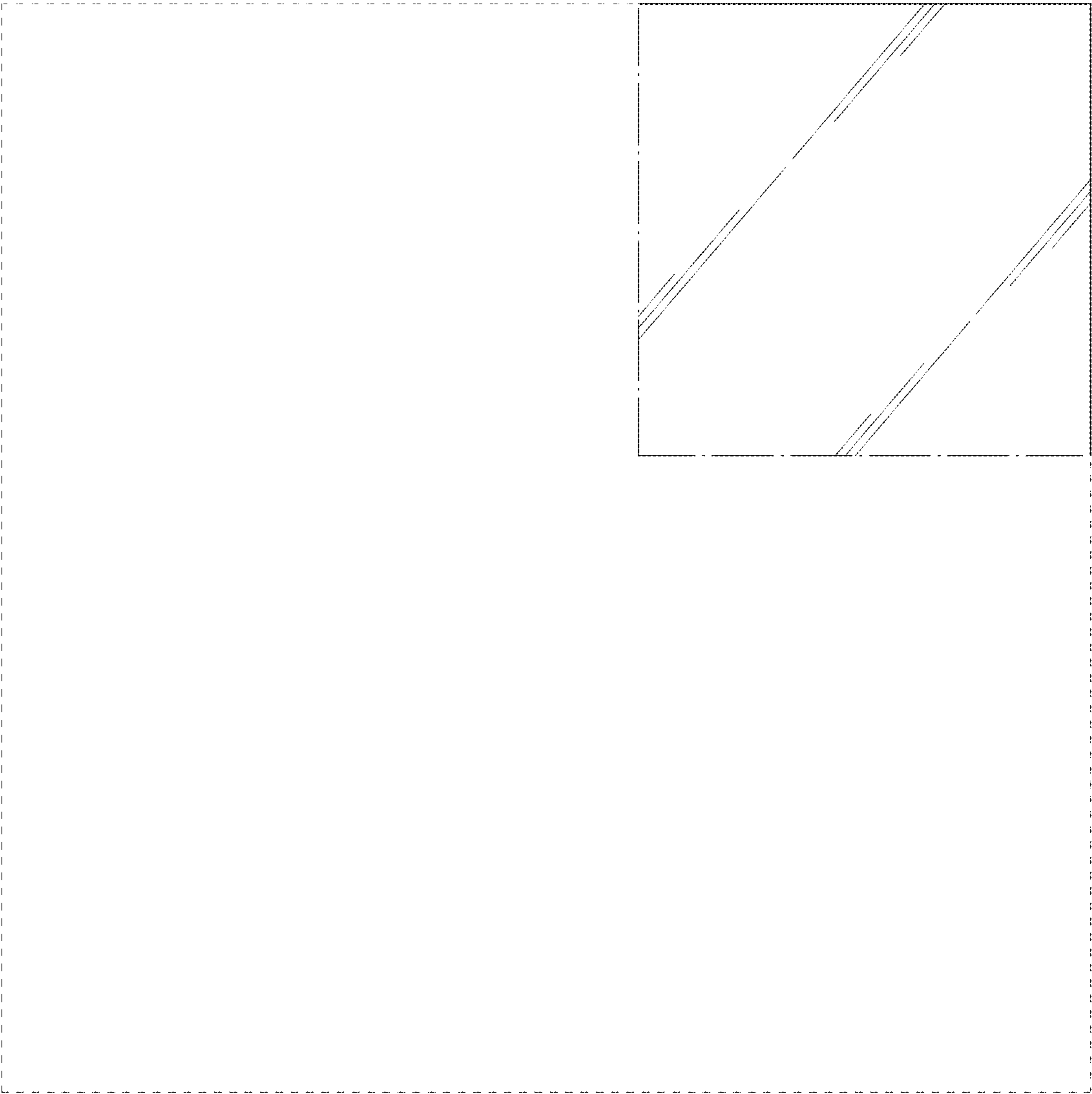


FIG. 12

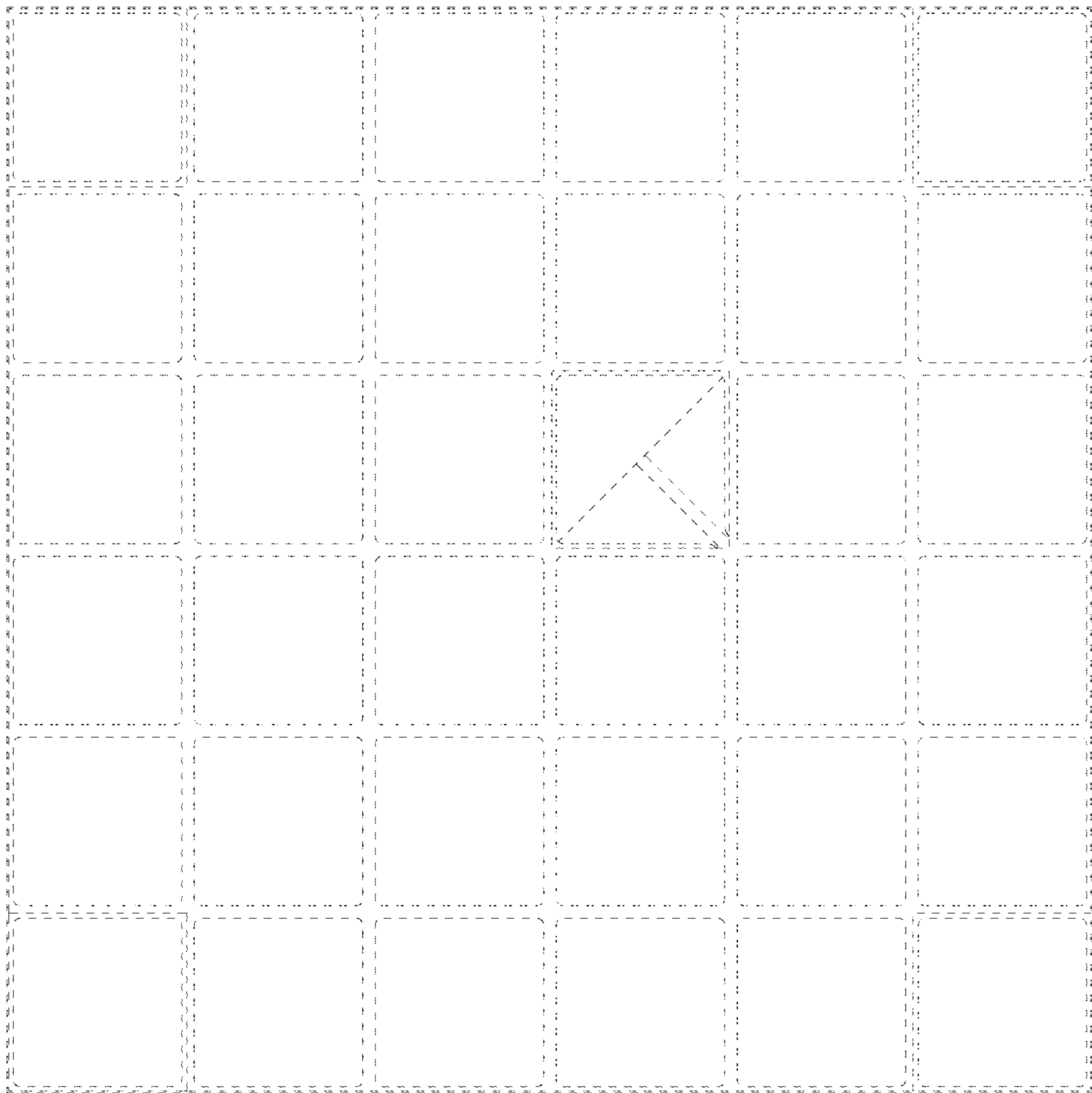


FIG. 13



FIG. 14

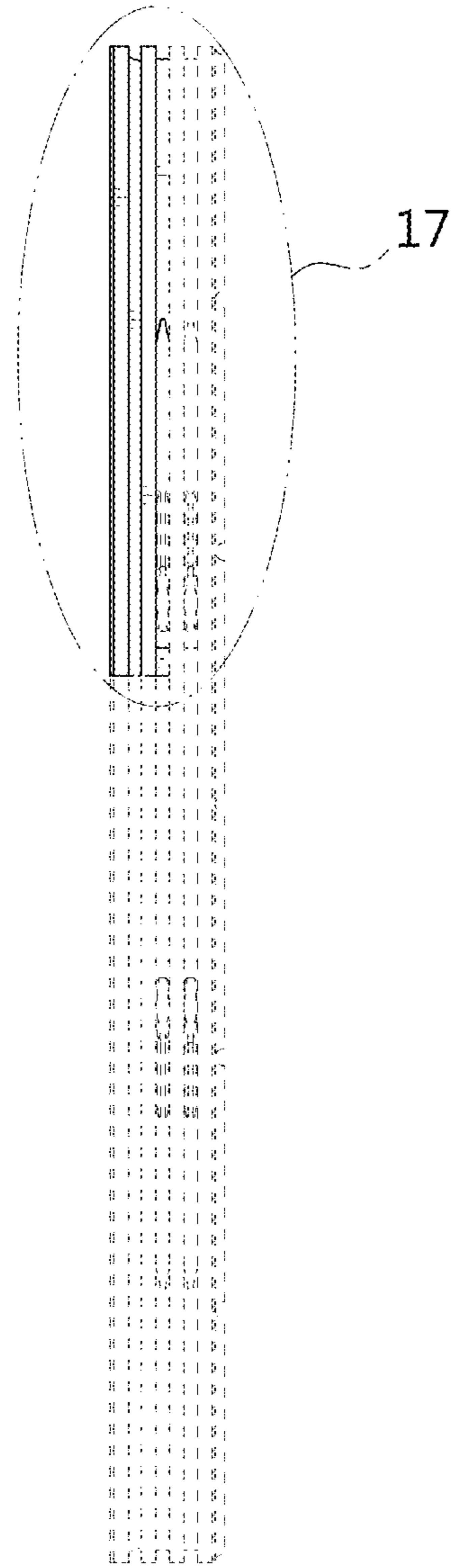


FIG. 15

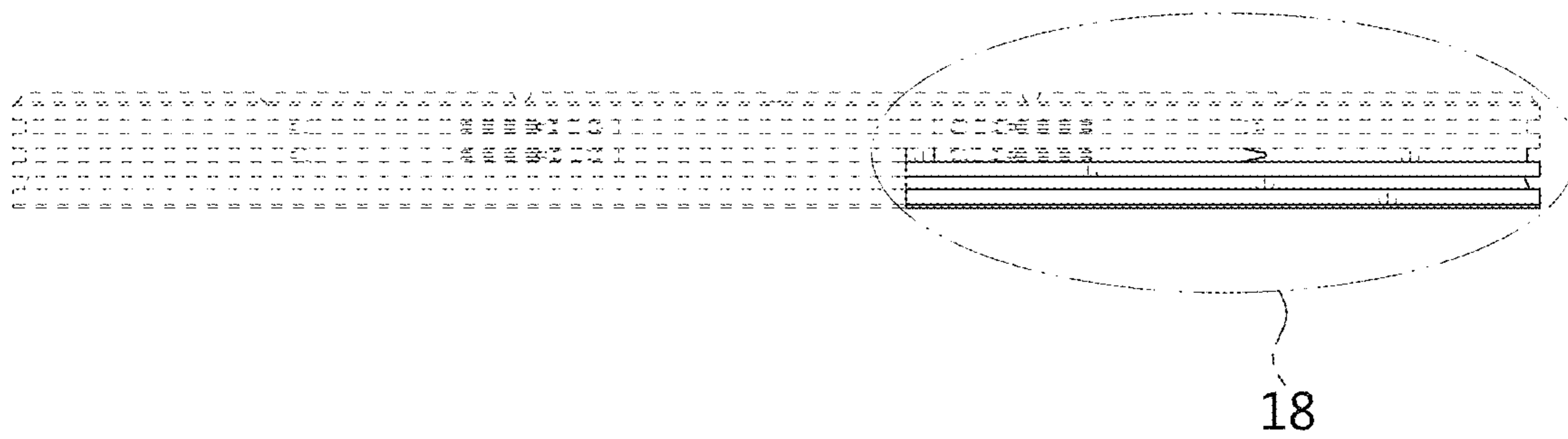


FIG. 16

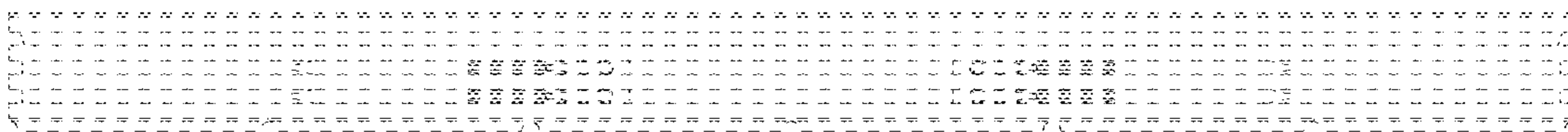


FIG. 17

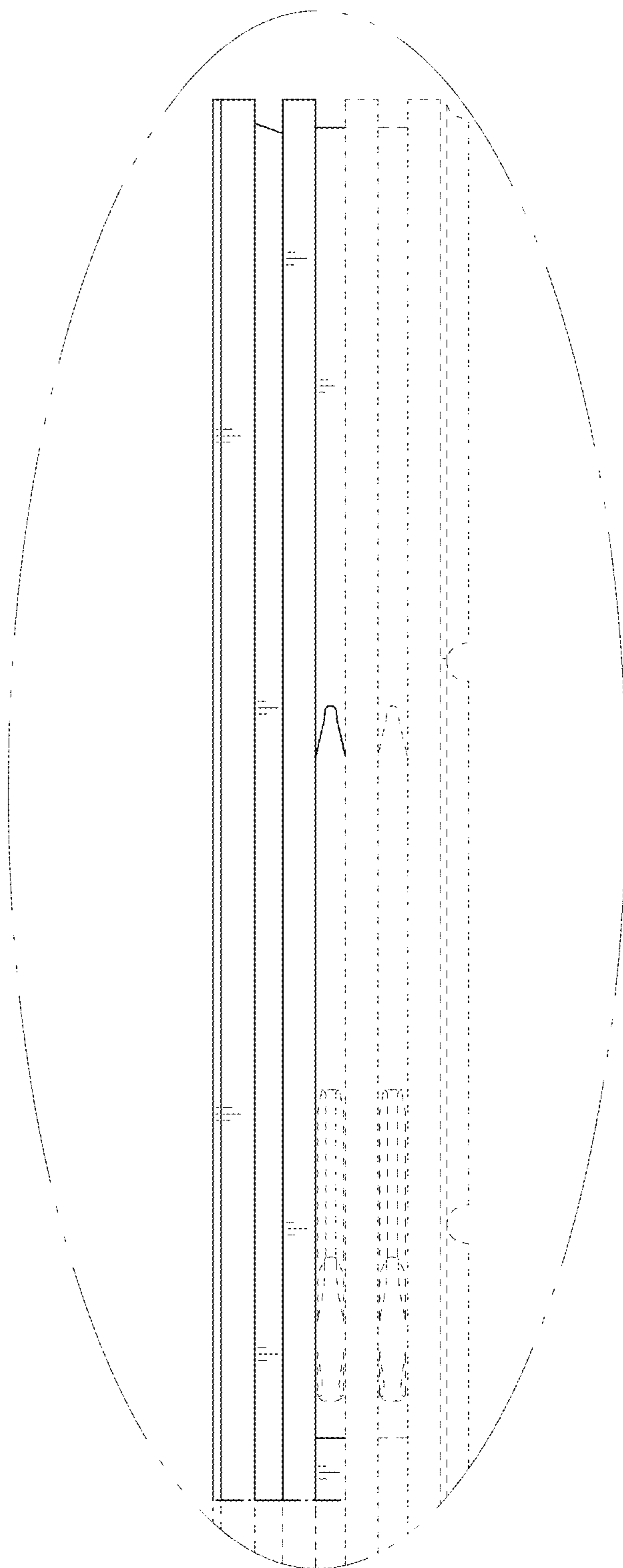


FIG. 18

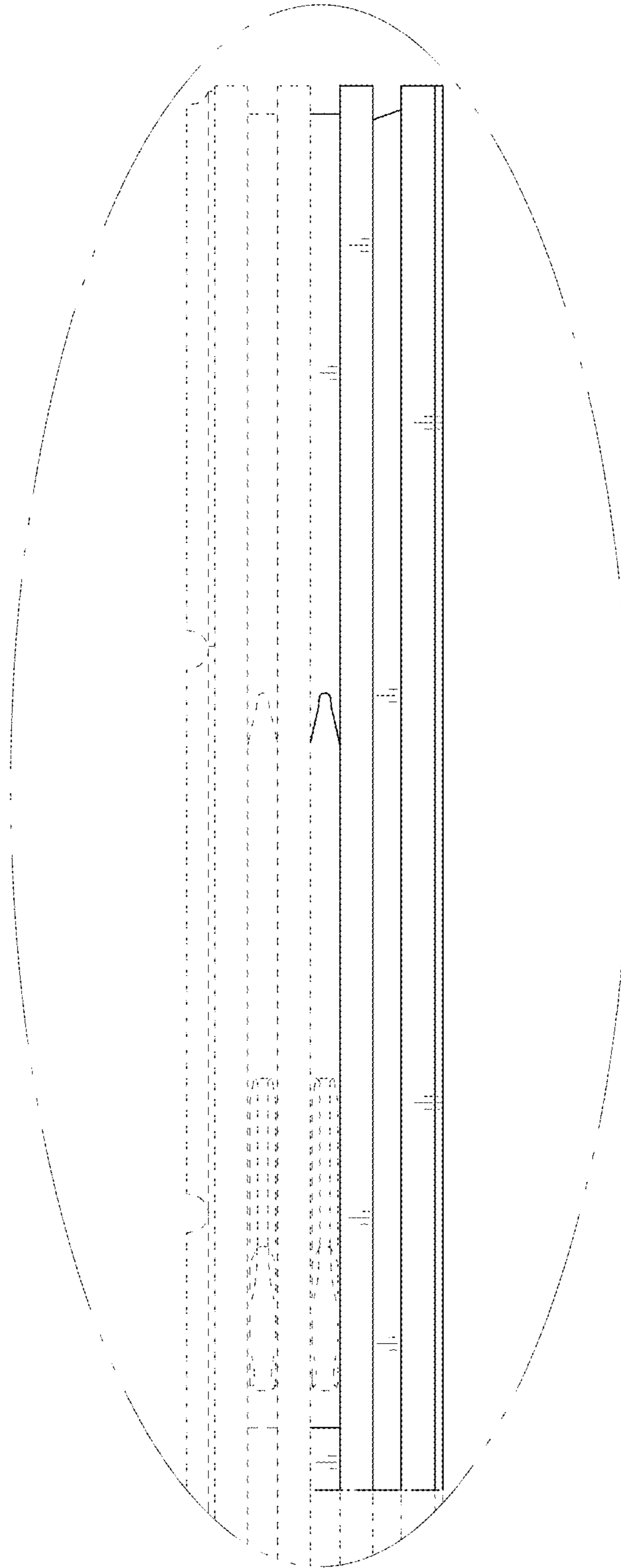




FIG. 19

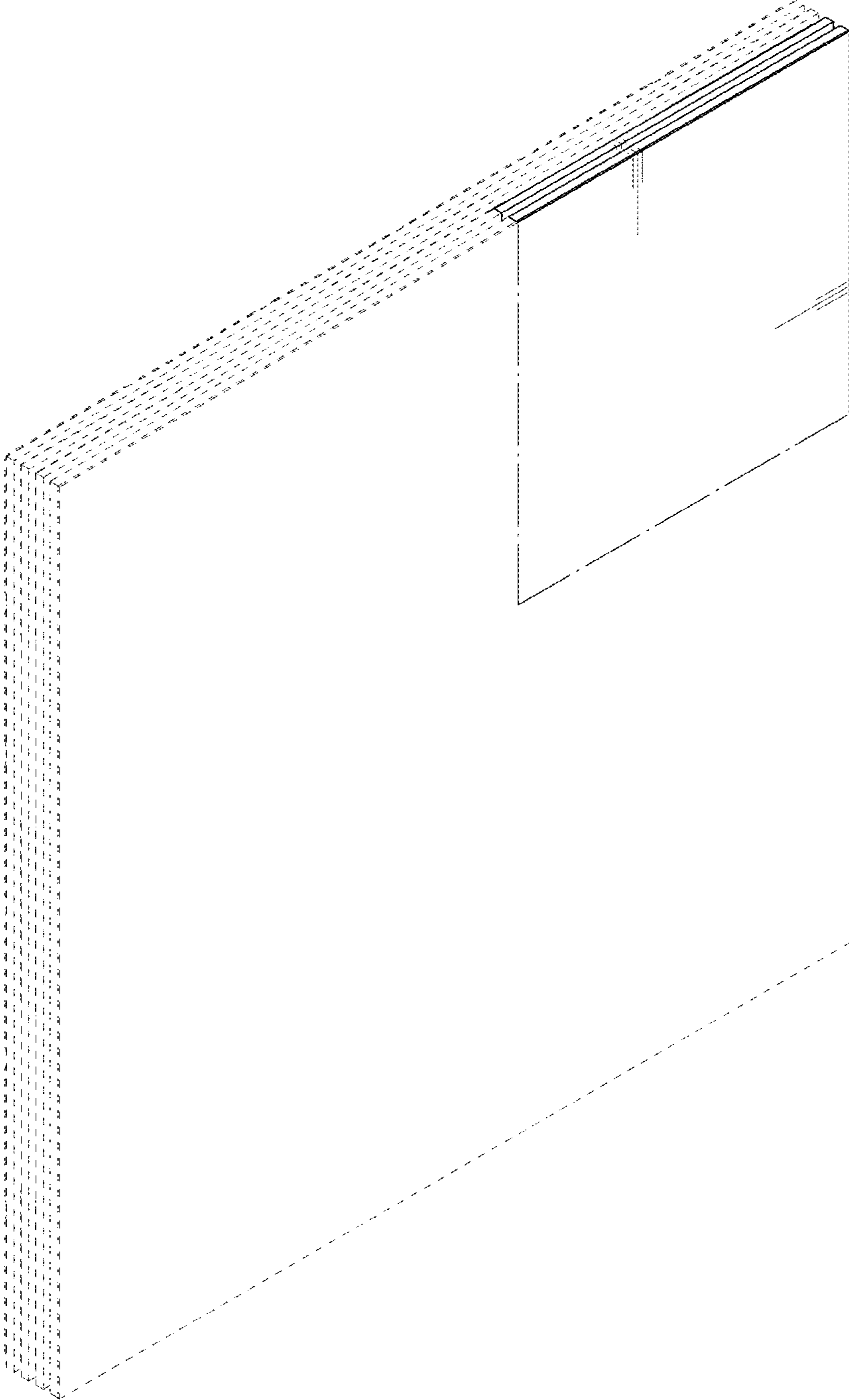


FIG. 20

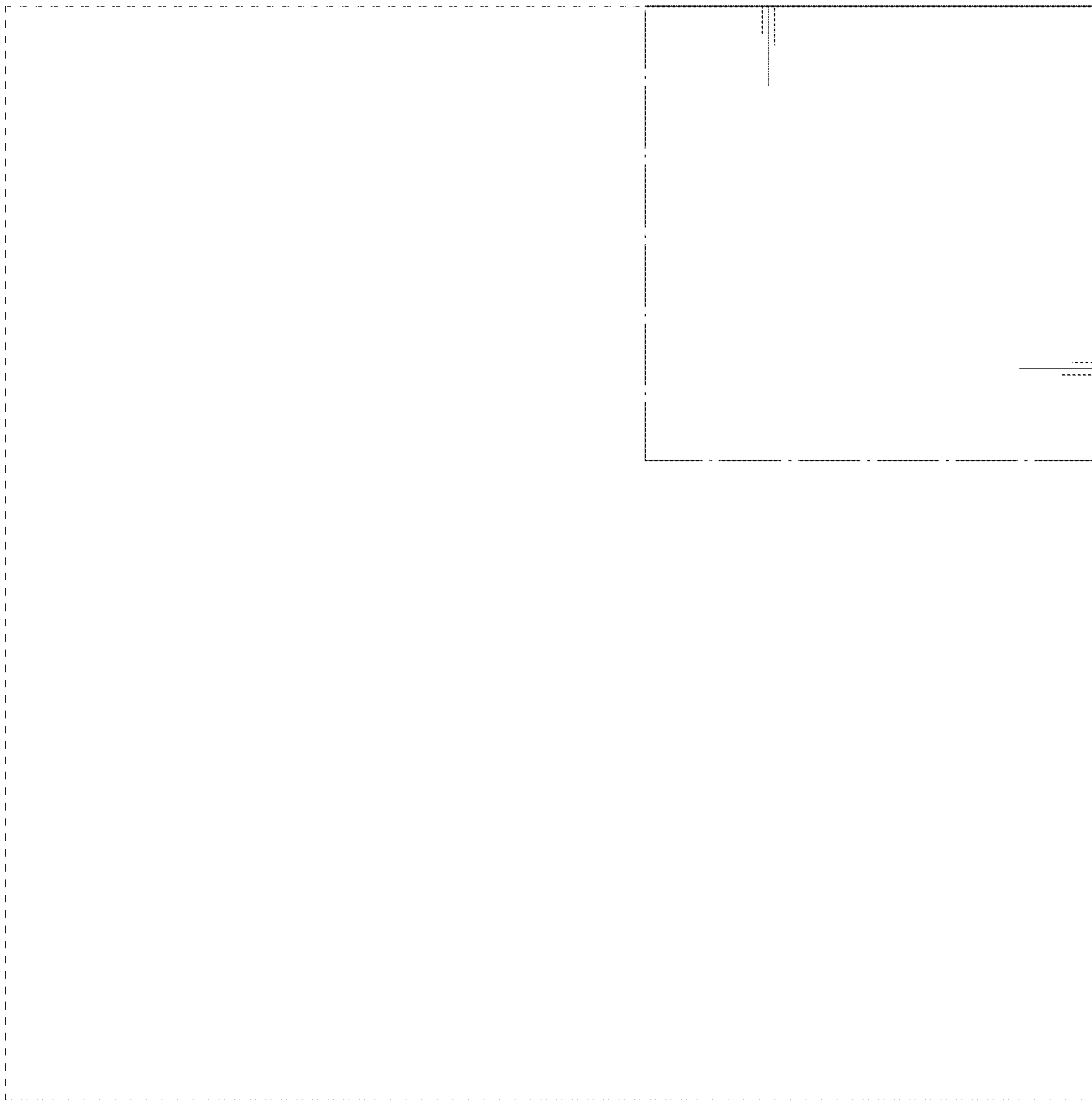


FIG. 21

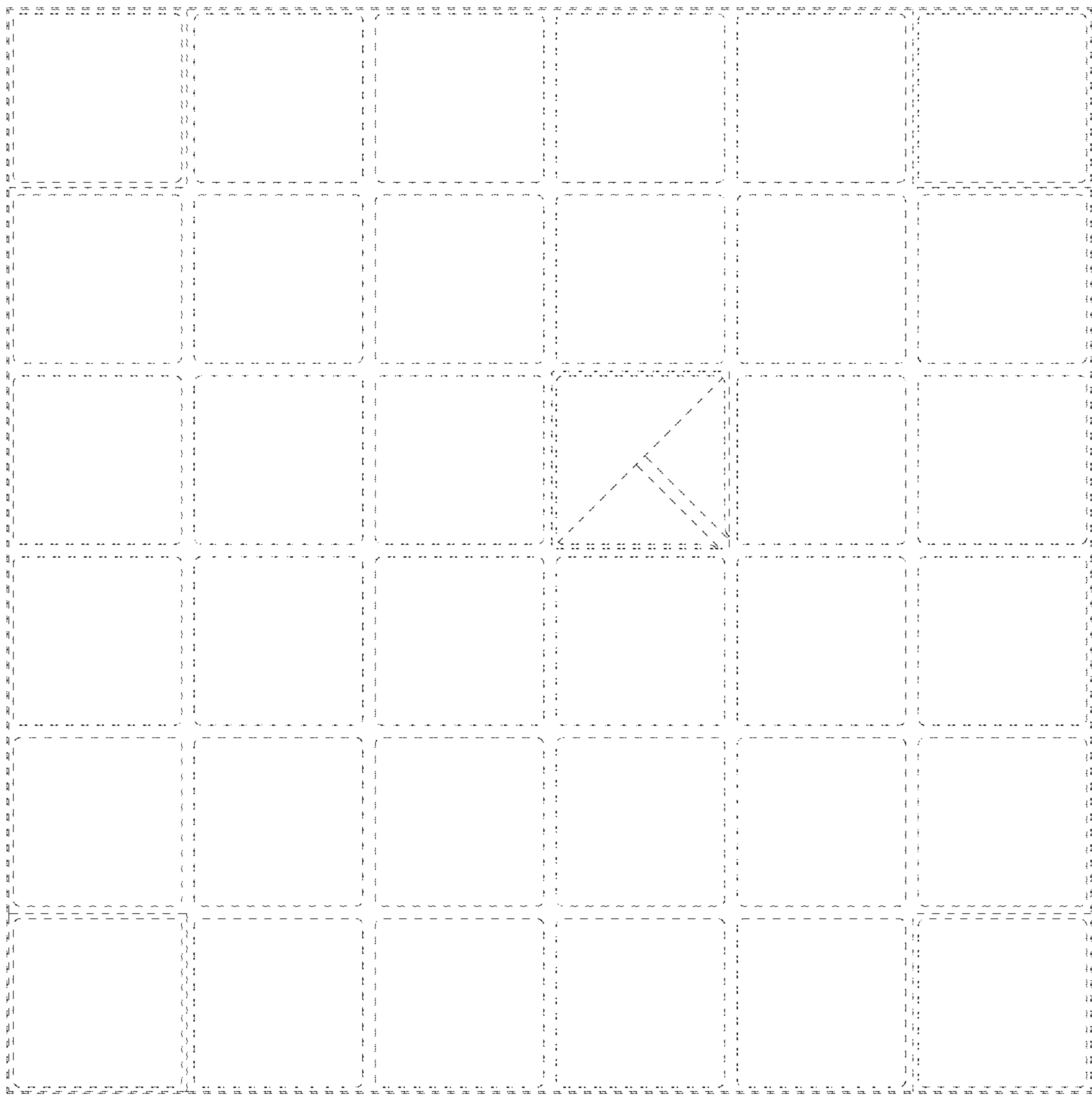


FIG. 22

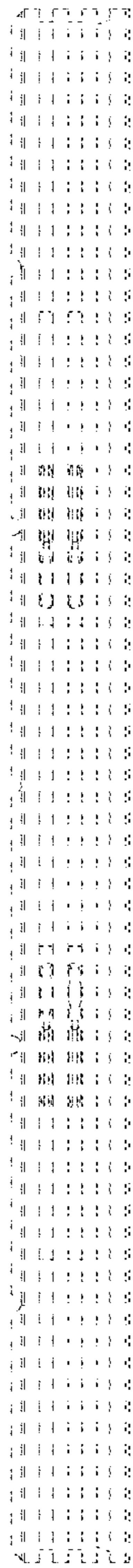


FIG. 23

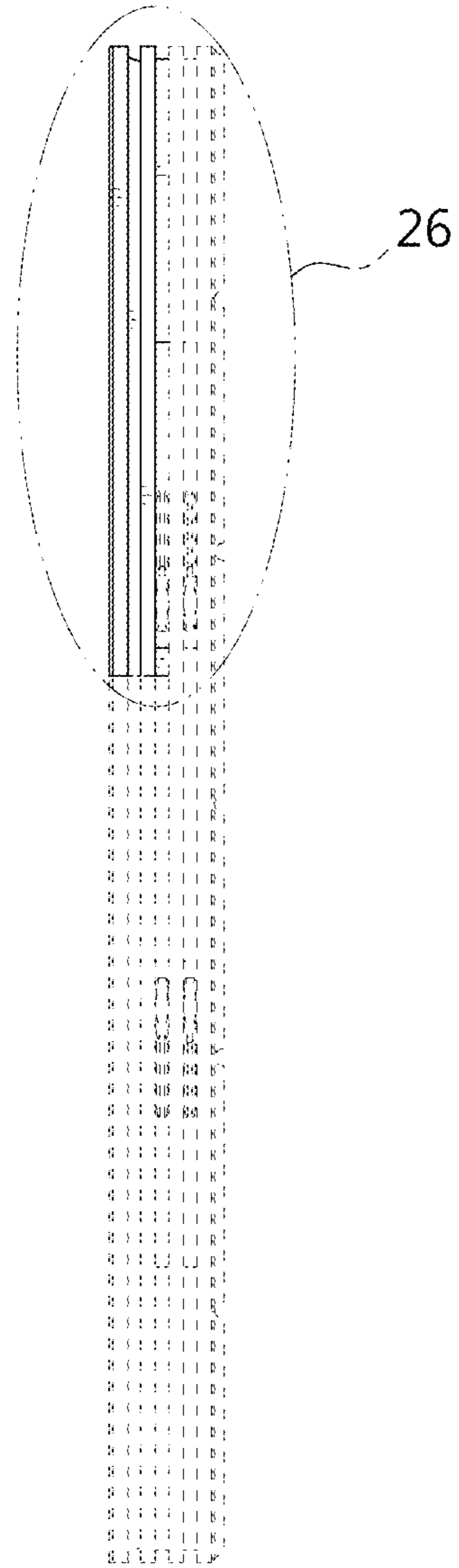


FIG. 24

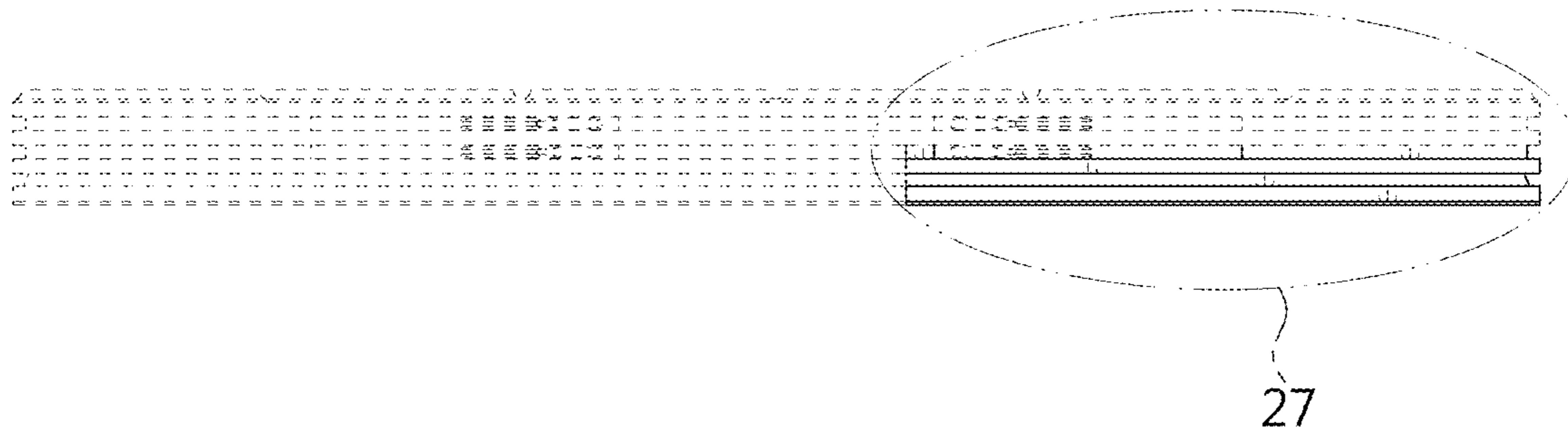


FIG. 25

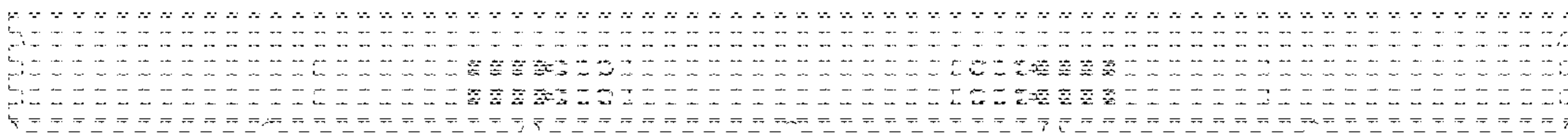


FIG. 26

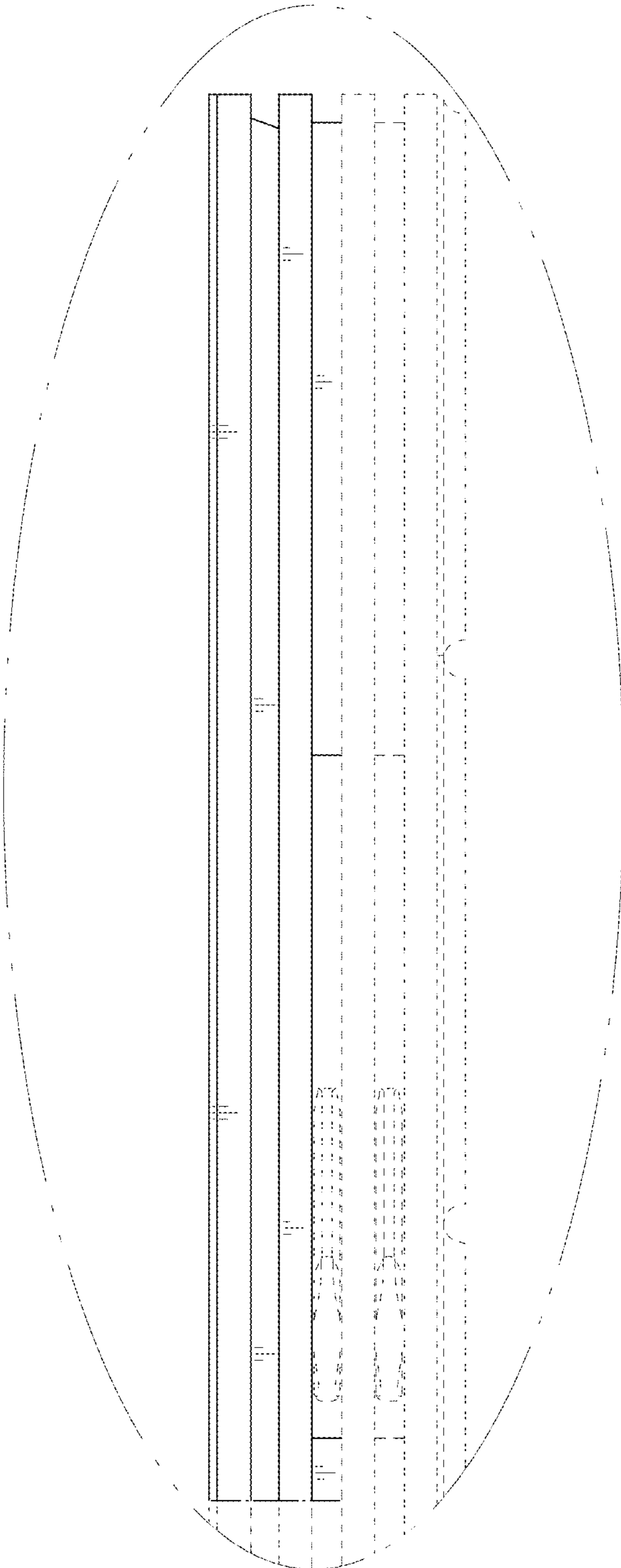


FIG. 27

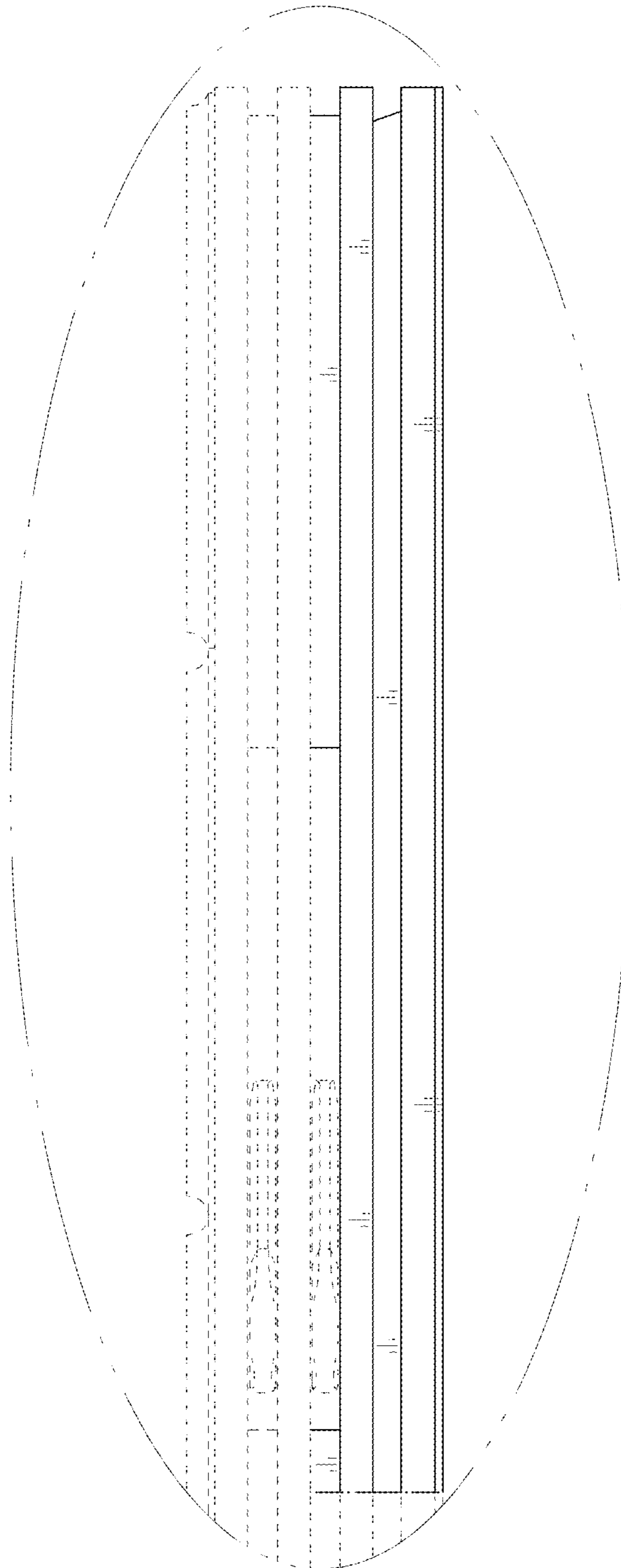


FIG. 28

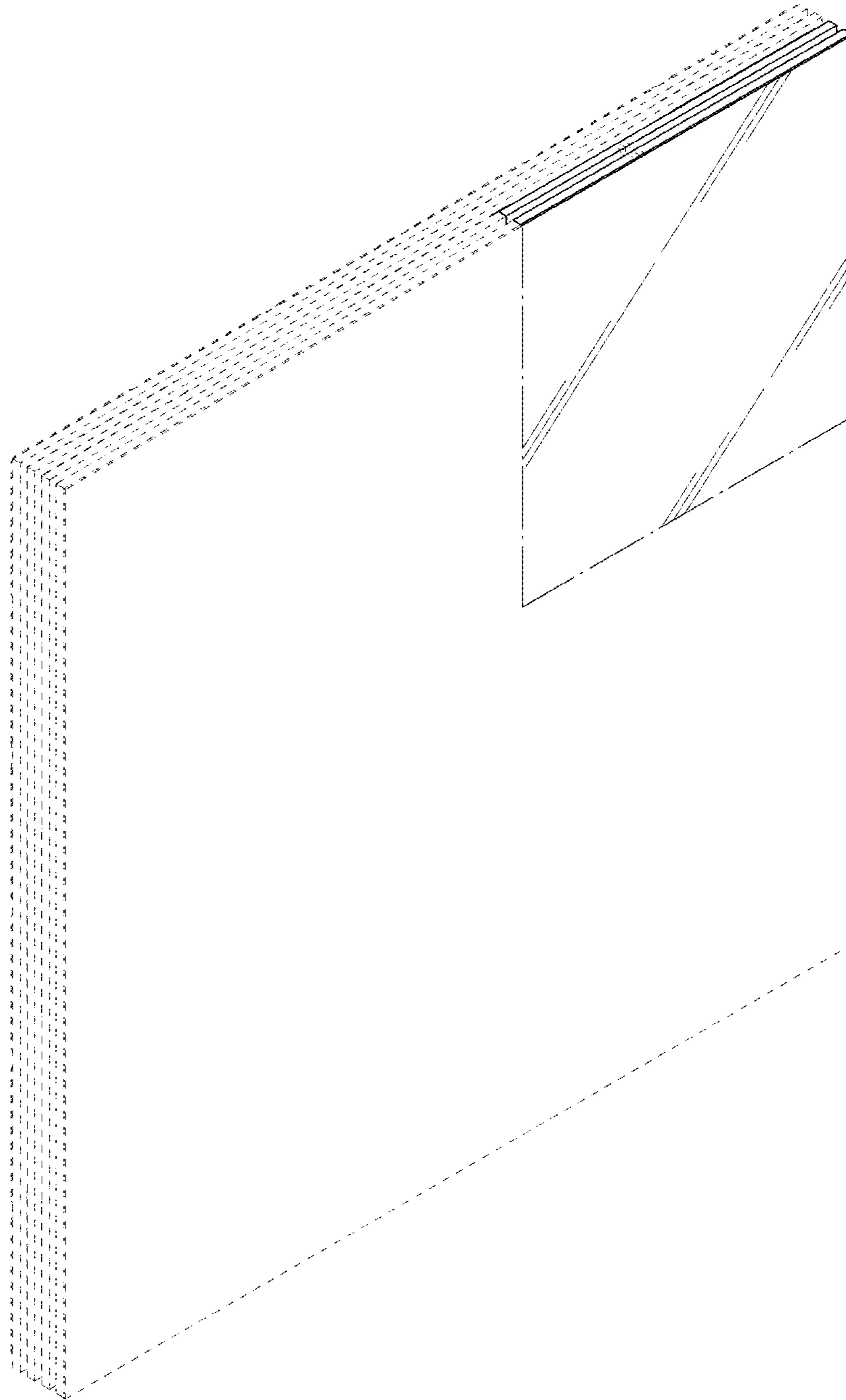




FIG. 29

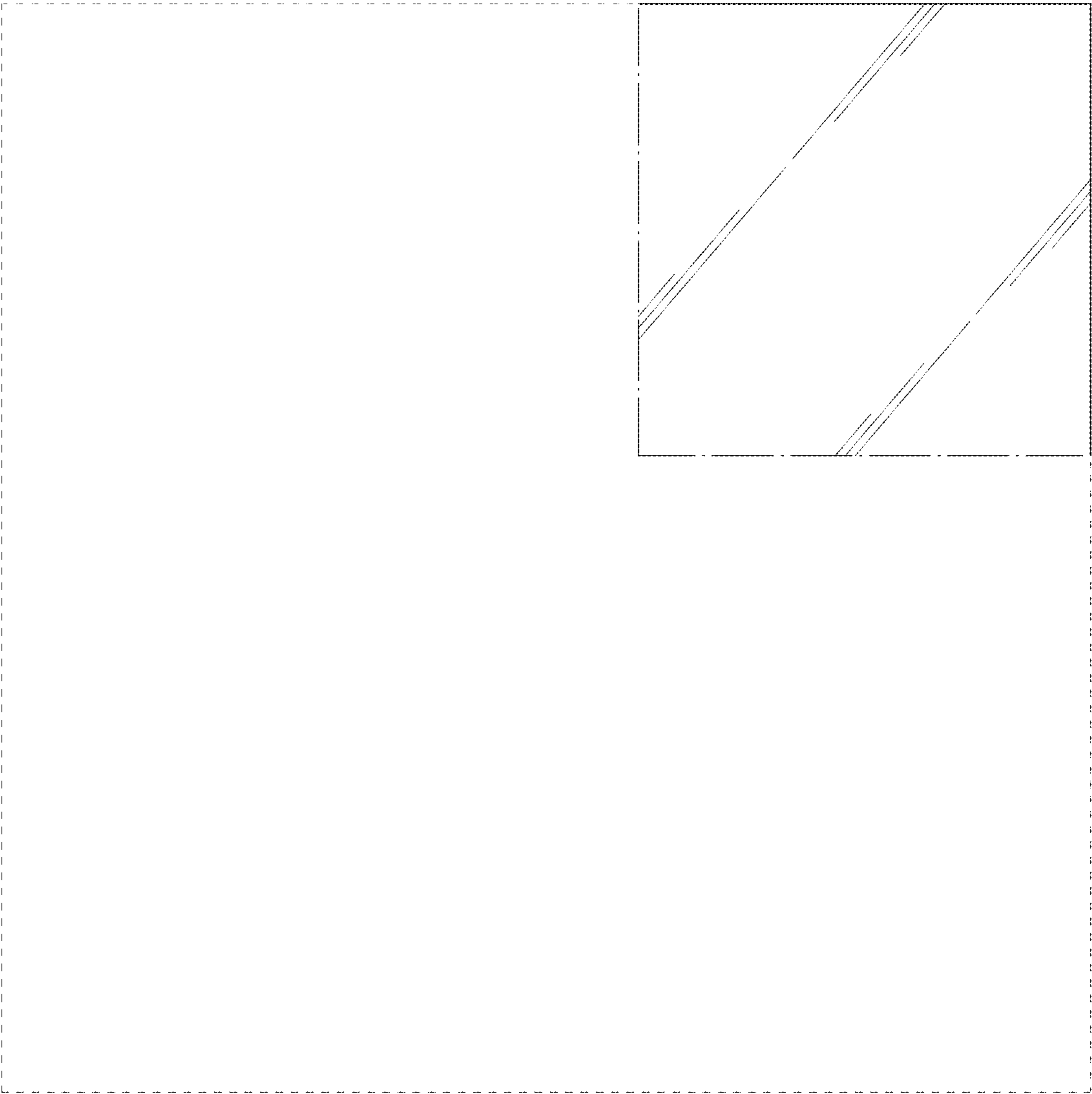


FIG. 30

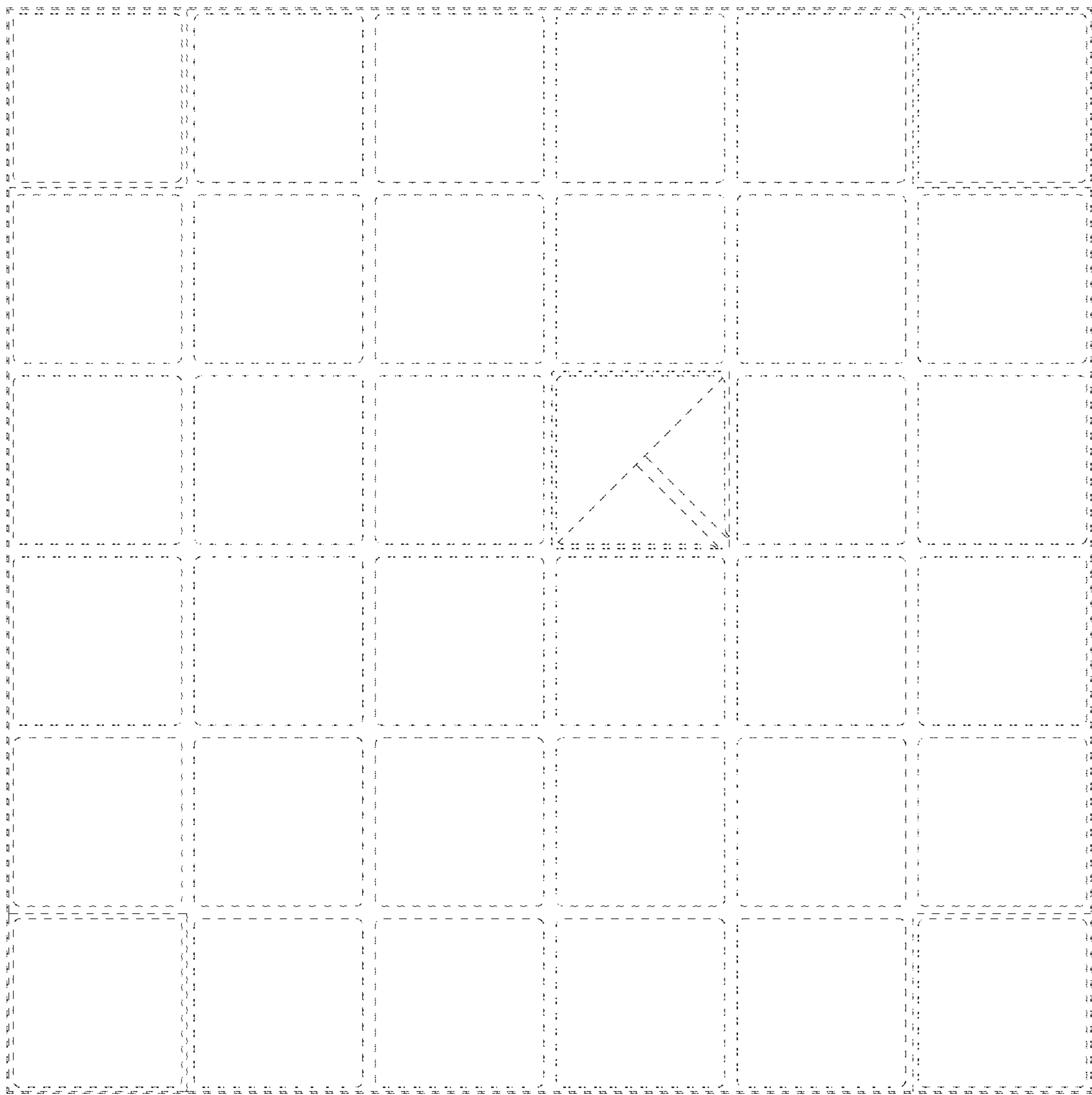


FIG. 31



FIG. 32

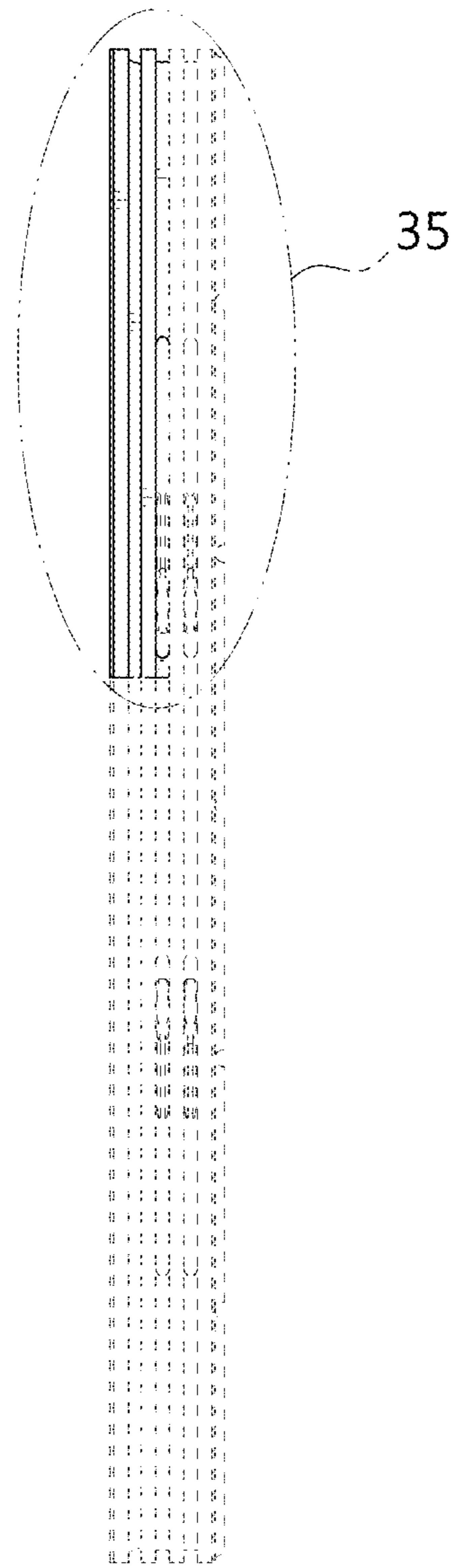


FIG. 33

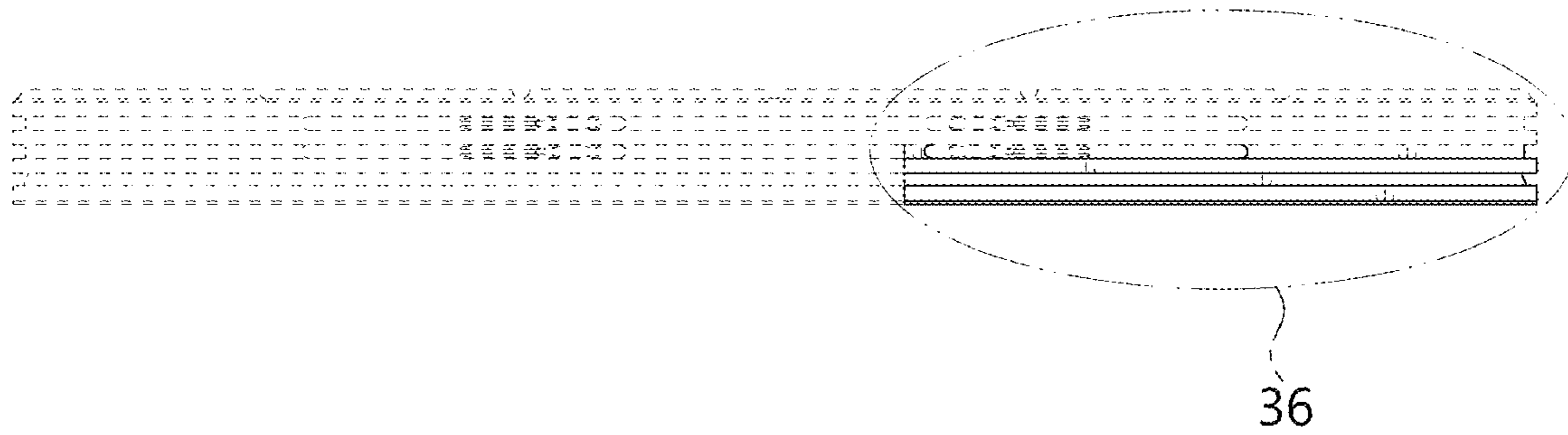


FIG. 34

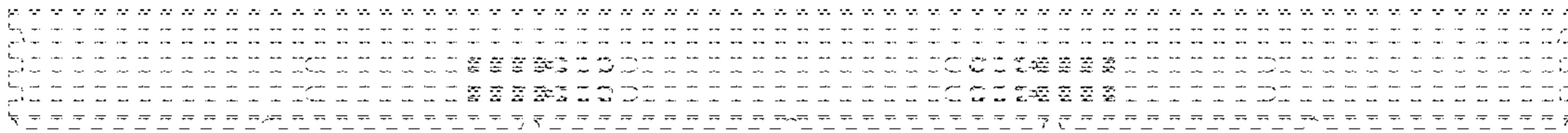


FIG. 35

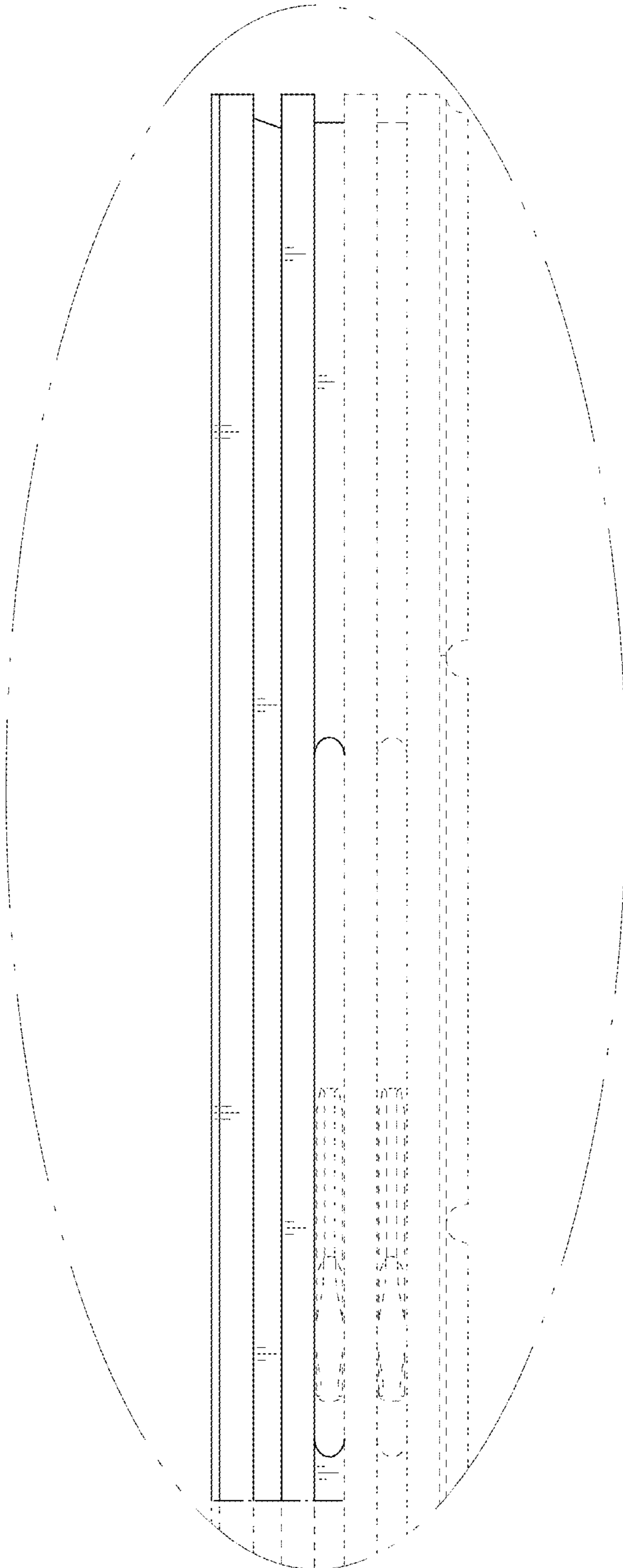


FIG. 36

