



US00D909324S

(12) **United States Design Patent** (10) **Patent No.:** **US D909,324 S**
Lee et al. (45) **Date of Patent:** **** Feb. 2, 2021**

(54) **MODULAR DISPLAY UNIT**

(71) Applicant: **Samsung Electronics Co., Ltd.**,
Suwon-si (KR)

(72) Inventors: **Jaeneung Lee**, Ansan-si (KR);
Chul-Yong Cho, Seoul (KR)

(73) Assignee: **Samsung Electronics Co., Ltd.**,
Suwon-si (KR)

(**) Term: **15 Years**

(21) Appl. No.: **29/690,571**

(22) Filed: **May 9, 2019**

(30) **Foreign Application Priority Data**

Nov. 15, 2018 (KR) 30-2018-0052944

(51) **LOC (13) Cl.** **14-03**

(52) **U.S. Cl.**
USPC **D14/126; D14/129**

(58) **Field of Classification Search**
USPC D14/125-137, 239, 250, 314-316, 322,
D14/326, 336, 337; D10/65; D6/300
(Continued)

(56) **References Cited**

U.S. PATENT DOCUMENTS

4,818,639 A * 4/1989 Kunz H01M 8/244
429/472
D327,263 S * 6/1992 Ogawa D14/137
(Continued)

FOREIGN PATENT DOCUMENTS

EM 003566926-0001 1/2017
KR 30-2007-0028349 9/2007
(Continued)

OTHER PUBLICATIONS

Samsung's 75-inch MicroLED 4K TV is a huge step into the future,
Jan. 6, 2019 [online], [retrieved Sep. 17, 2020], Retrieved from

Internet, URL: <<https://www.theverge.com/2019/1/6/18168793/samsungs-75-inch-microled-4k-tv-picture-quality-ces-2019>> (Year: 2019).*

(Continued)

Primary Examiner — Barbara Fox

Assistant Examiner — Aram Kwon

(74) *Attorney, Agent, or Firm* — NSIP Law

(57) **CLAIM**

We claim the ornamental design for a modular display unit,
as shown and described.

DESCRIPTION

FIG. 1 is a front perspective view of a modular display unit showing our new design according to a first embodiment; FIG. 2 is a front view thereof; FIG. 3 is a rear view thereof; FIG. 4 is a left-side view thereof; FIG. 5 is a right-side view thereof; FIG. 6 is a top view thereof; FIG. 7 is a bottom view thereof; FIG. 8 is a rear perspective view thereof; FIG. 9 is a front view of the modular display unit in which the fastener portion in dotted lines is shown in a protruded position; FIG. 10 is a front perspective view of the modular display unit provided with an additional unit to show state of use when two units are combined; FIG. 11 is a front perspective view of a modular display unit showing our new design according to a second embodiment; FIG. 12 is a front view thereof; FIG. 13 is a rear view thereof; FIG. 14 is a left-side view thereof; FIG. 15 is a right-side view thereof; FIG. 16 is a top view thereof; FIG. 17 is a bottom view thereof; FIG. 18 is a rear perspective view thereof; FIG. 19 is a front view of the modular display unit in which the fastener portion in dotted lines is shown in a protruded position; and,

(Continued)

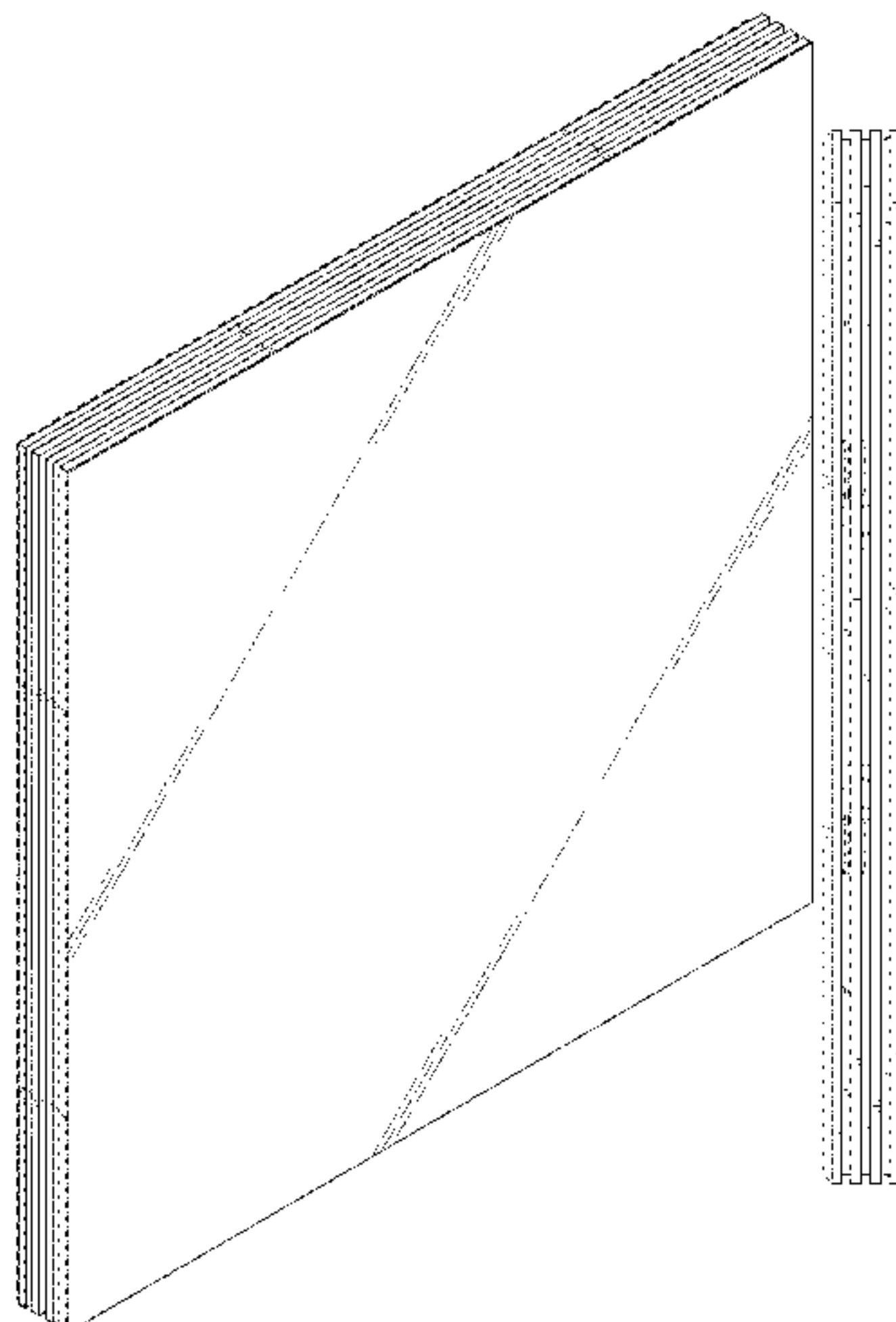


FIG. 20 is a front perspective view of the modular display unit provided with an additional unit to show state of use when two units are combined.

The broken lines in the figures showing portions of the modular display unit in the figures form no part of the claimed design. The broken lines showing the additional unit in FIGS. 10 and 20 are for environmental purposes only and form no part of the claimed design.

1 Claim, 16 Drawing Sheets

(58) **Field of Classification Search**

CPC G06F 1/16; G06F 1/1601; G06F 1/1637;
H04N 5/64; H05K 5/0204; H05K 5/0017;
H05K 5/0217

See application file for complete search history.

(56) **References Cited**

U.S. PATENT DOCUMENTS

D330,029 S *	10/1992	Kawaguchi	D14/212
D727,274 S *	4/2015	Park	D14/125
D737,817 S *	9/2015	Starck	D14/365
D767,533 S *	9/2016	Mchatet	D14/214
D804,712 S	12/2017	Cai et al.	
D824,381 S *	7/2018	Collins	D14/315
D824,897 S *	8/2018	Collins	D14/315

D879,731 S *	3/2020	Kim	D14/126
D879,745 S *	3/2020	Lyu	D14/214
D886,800 S *	6/2020	Modestine	D14/214
2010/0159160 A1 *	6/2010	Basile	G09F 15/0068 428/14
2019/0384560 A1 *	12/2019	Seo	H05K 5/0017
2020/0225903 A1 *	7/2020	Cohen	G06F 3/041

FOREIGN PATENT DOCUMENTS

KR	30-2009-0011057	10/2010
KR	30-2013-0010361	2/2014
WO	WOD202750-001	* 11/2019
WO	WOD202944-001	* 1/2020
WO	WOD202944-002	* 1/2020
WO	WOD202944-003	* 1/2020

OTHER PUBLICATIONS

Docono. "K Series" [2019] www.focono.com May 9, 2019 <https://www.focono.com/ledxs/info_12.aspx>.
C&E Tech USA Inc. "LED Outdoor Display" [2019] www.cetechusa.com May 9, 2019 <<http://www.cetechusa.com/product/147.html>>.
Flynn, Conner. "Samsung announces LED square display" [2012] www.geeky-gadgets.com Aug. 27, 2012 <https://www.geeky-gadgets.com/samsung-announces-led-square-display-27-08-2012/?utm_source=feedburner&utm_medium=feed&utm_campaign=Feed%3A+geeky-gadgets+%28Geeky+Gadgets%29>.

* cited by examiner

FIG. 1

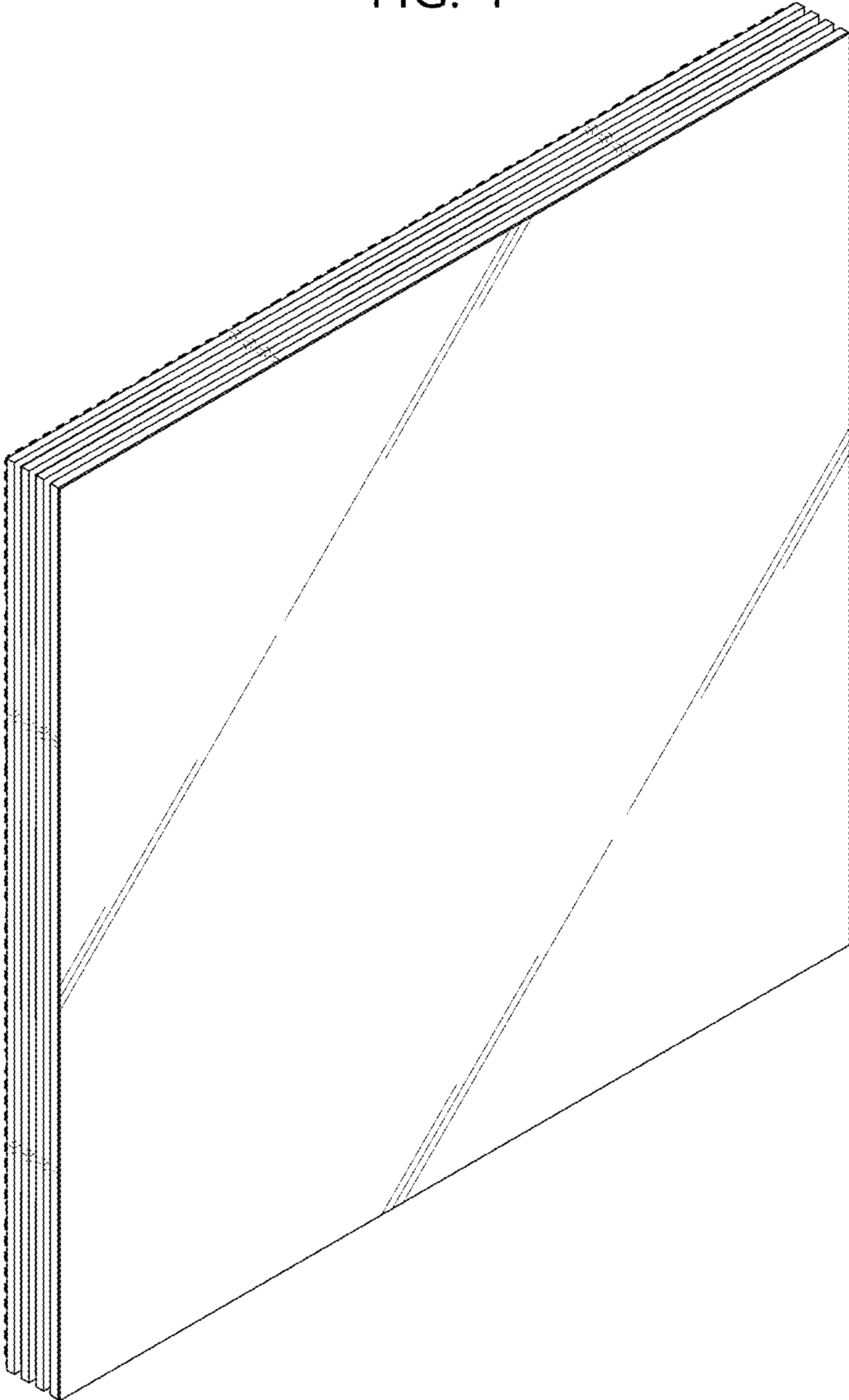


FIG. 2

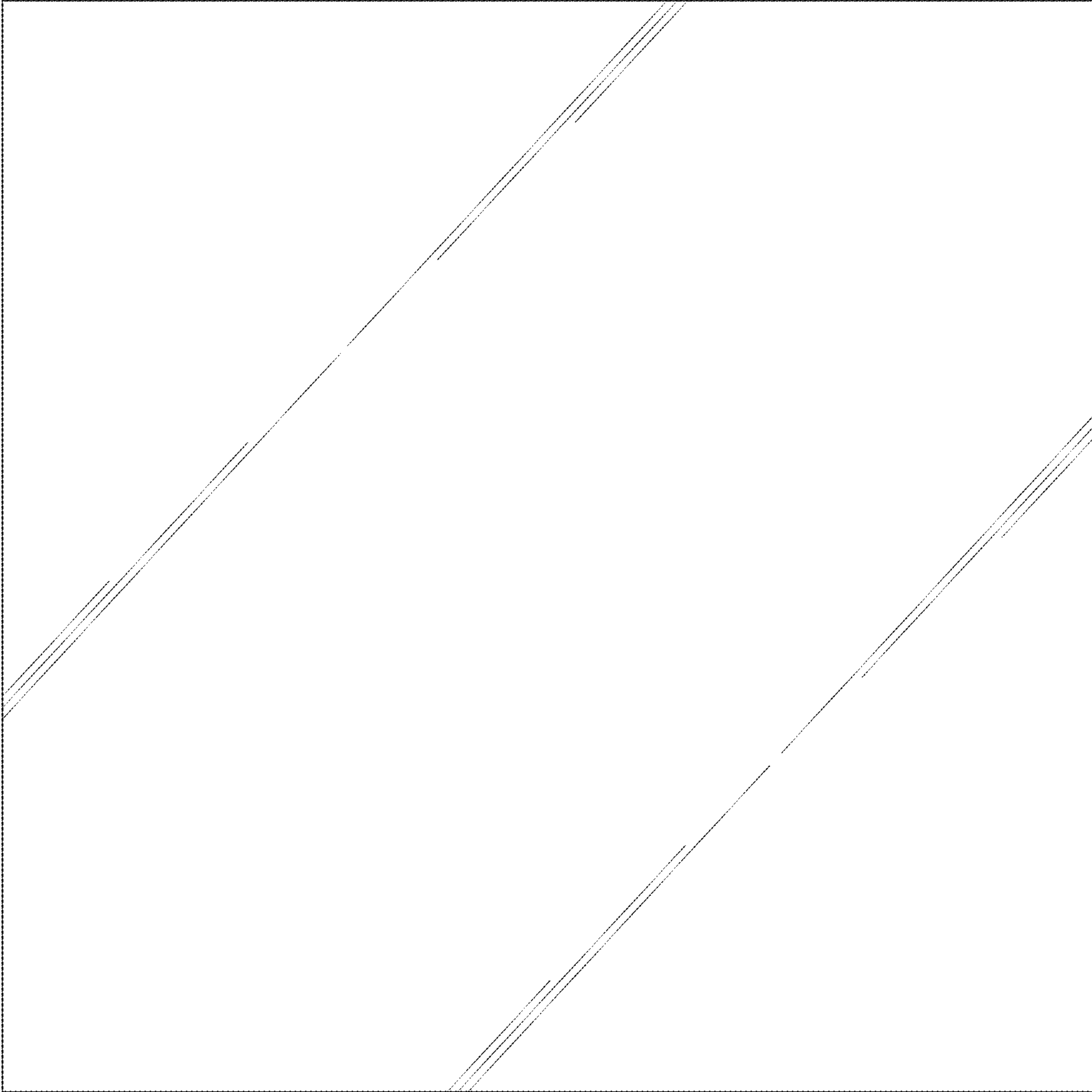


FIG. 3

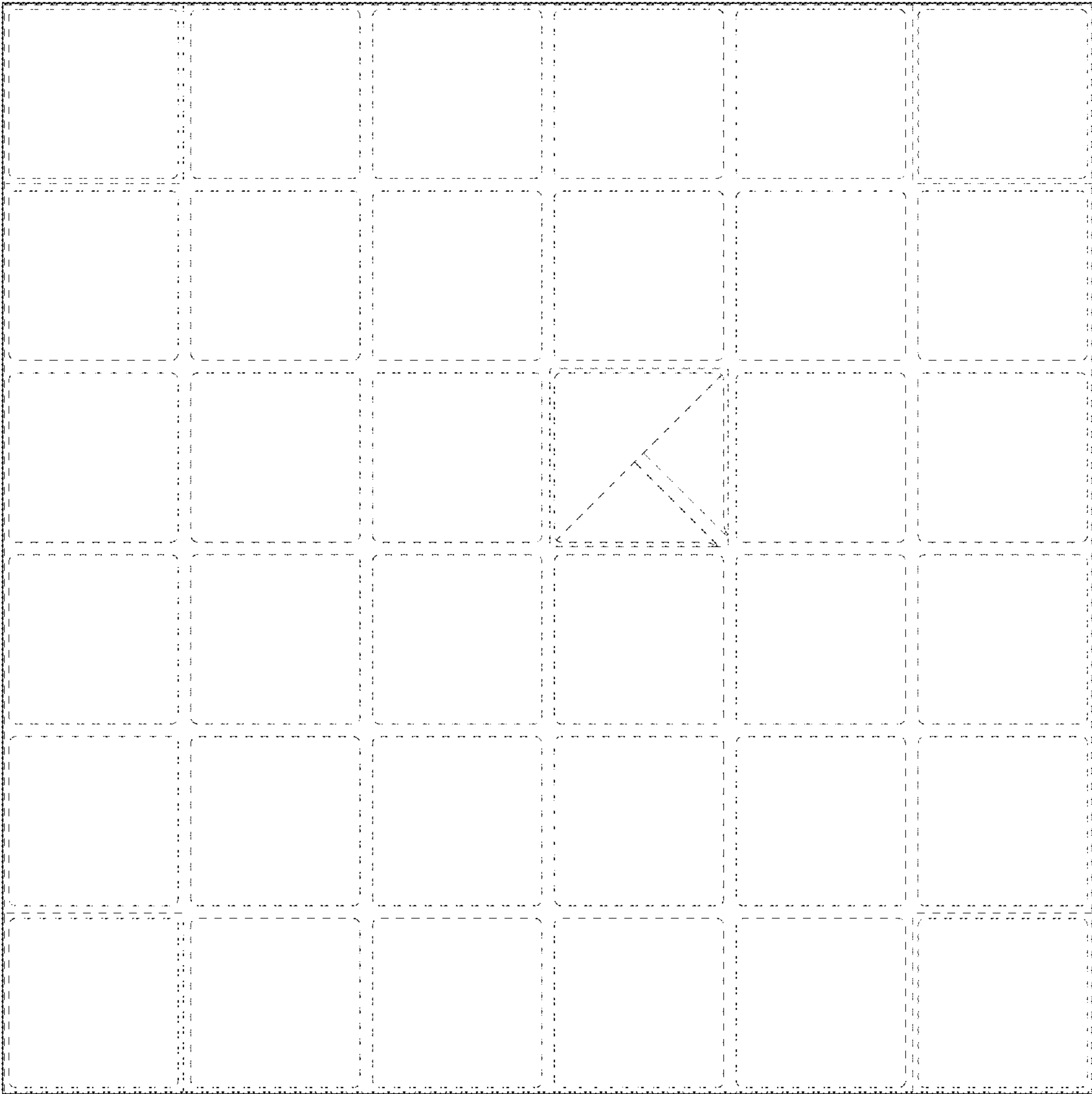


FIG. 4

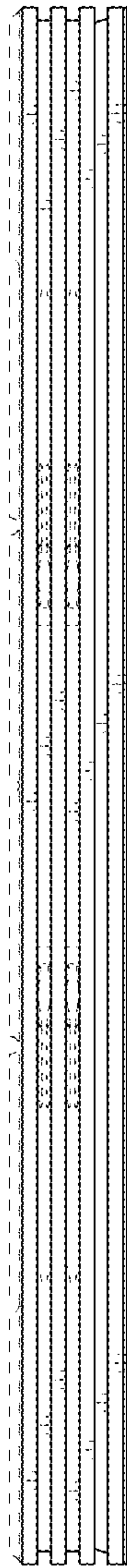


FIG. 5

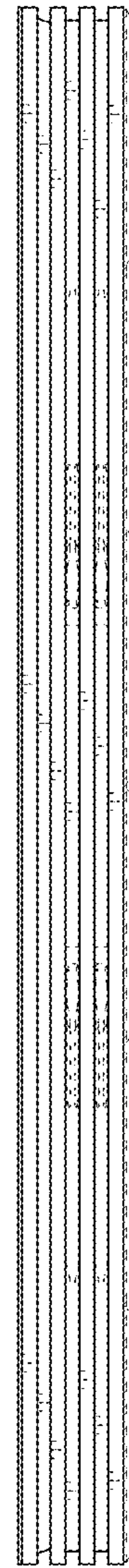


FIG. 6

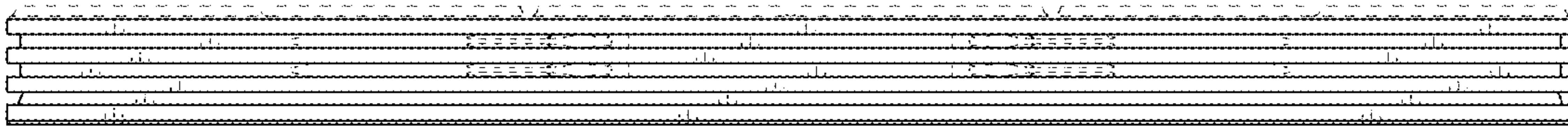


FIG. 7

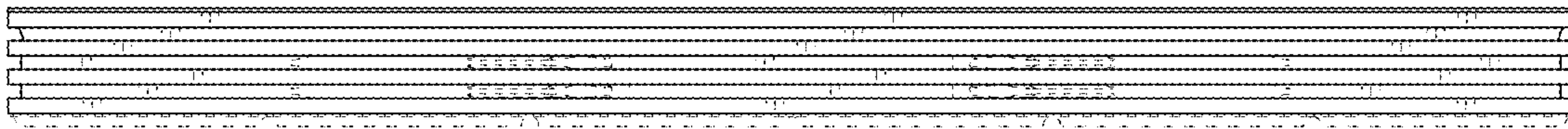


FIG. 8

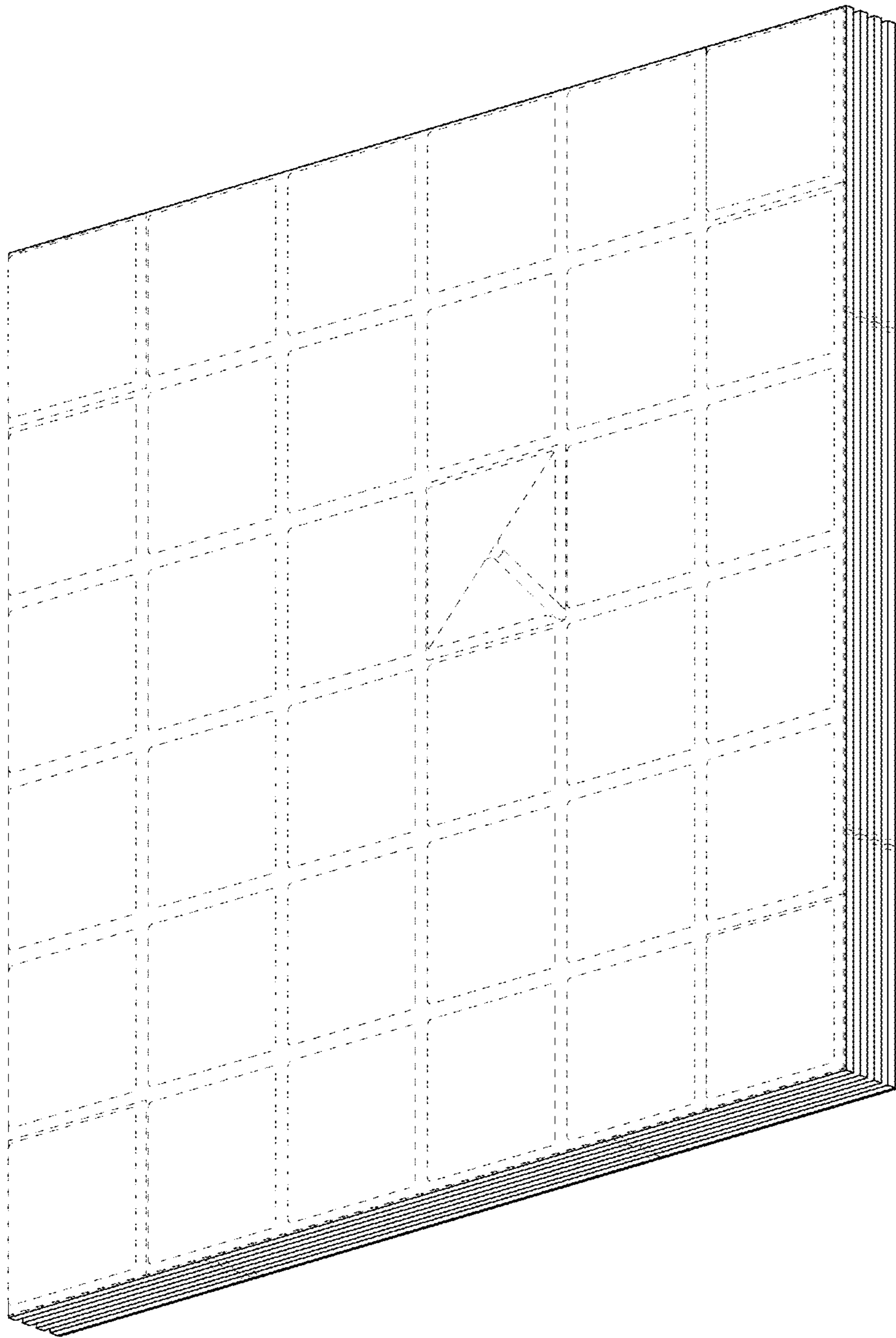


FIG. 9

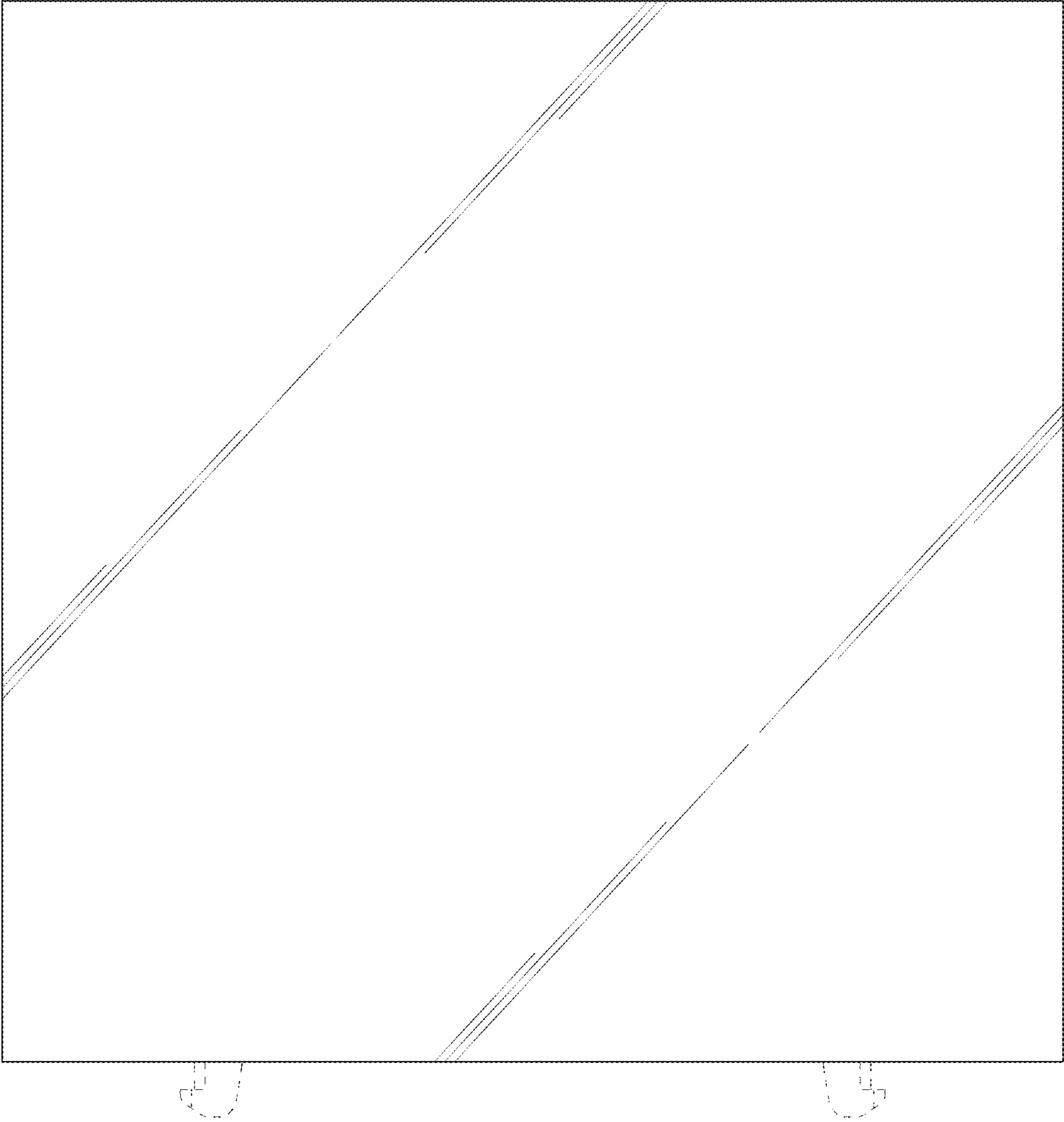


FIG. 10

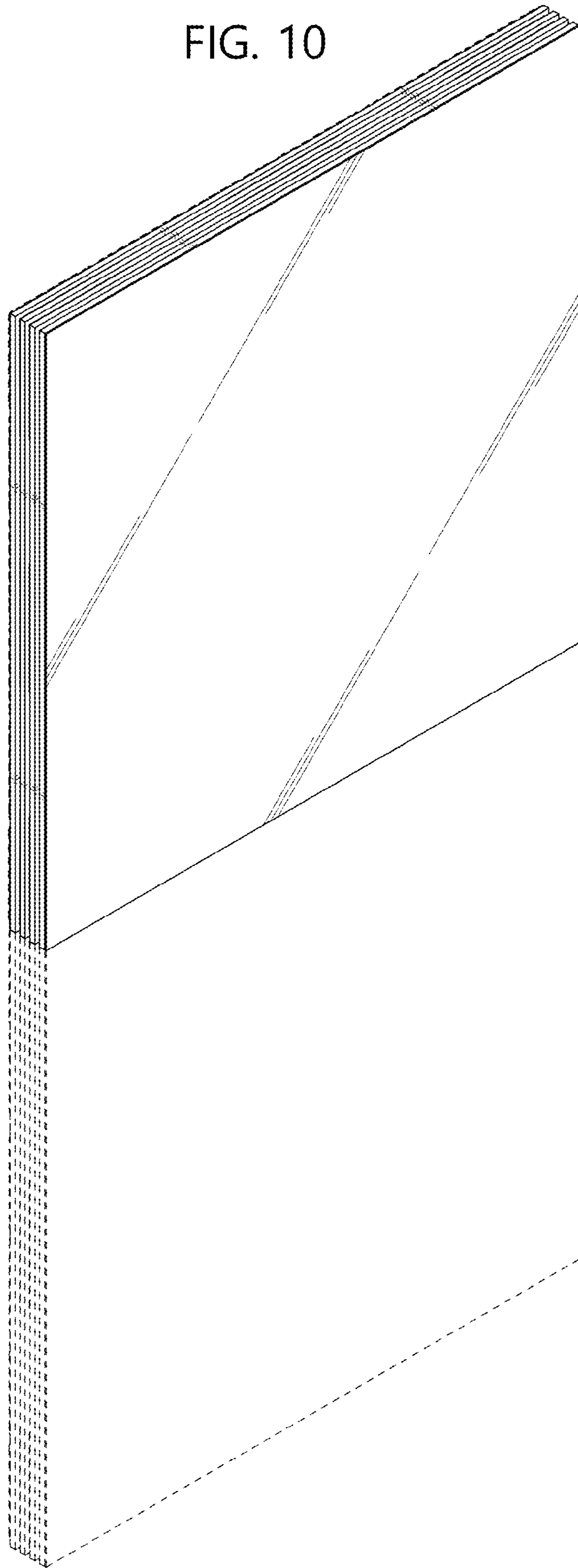


FIG. 11

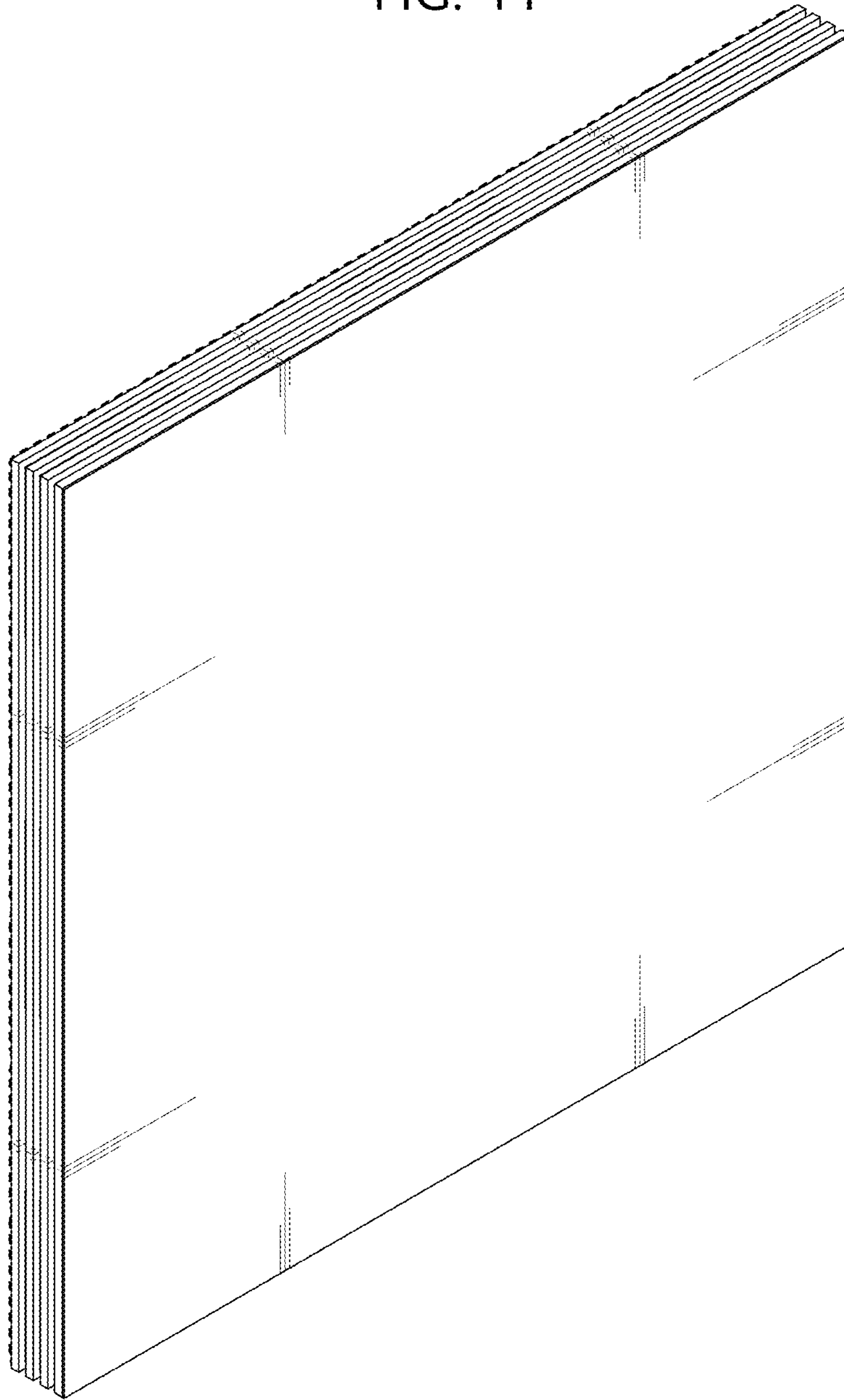


FIG. 12

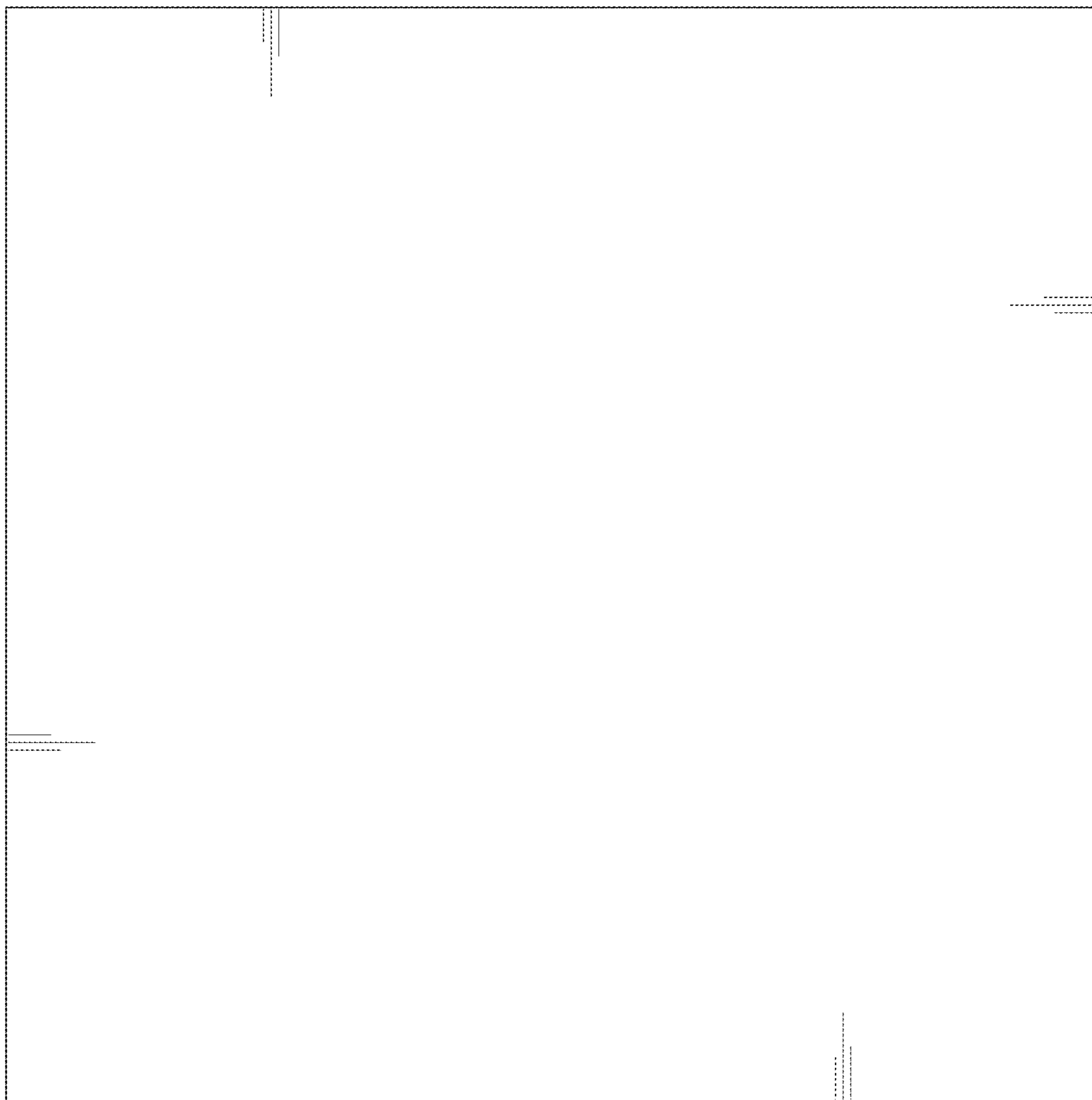


FIG. 13

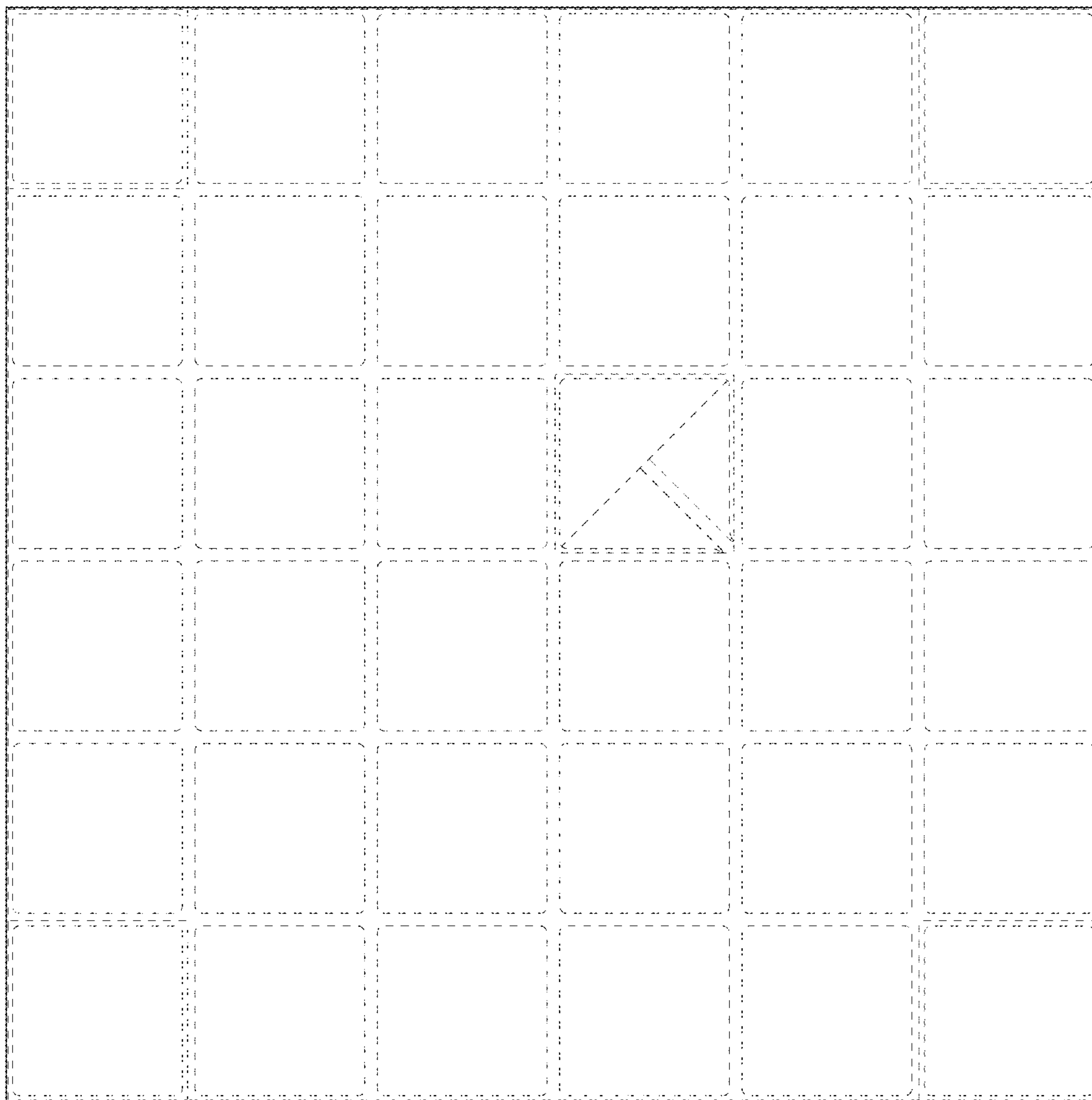


FIG. 14

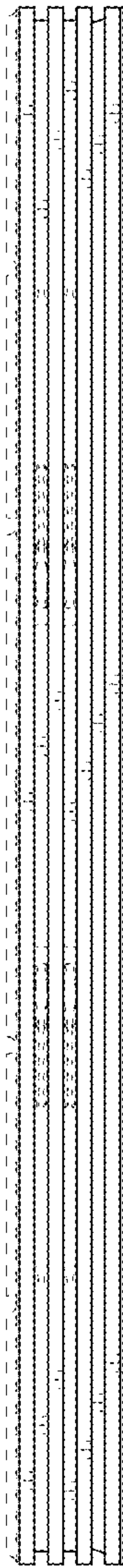


FIG. 15

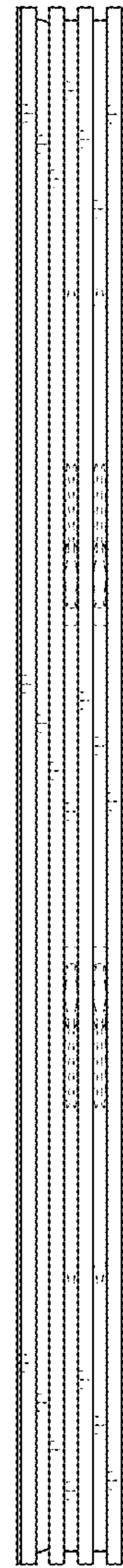


FIG. 16

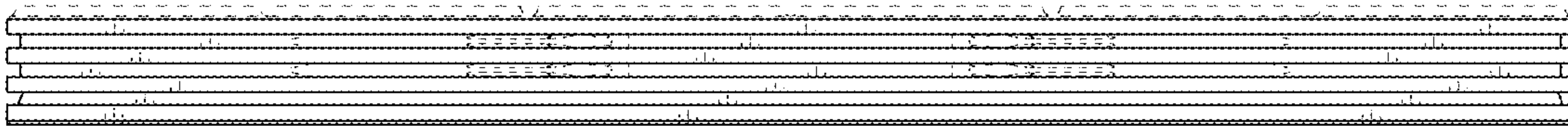


FIG. 17

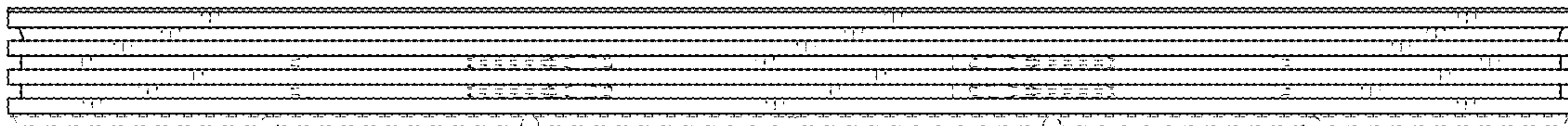


FIG. 18

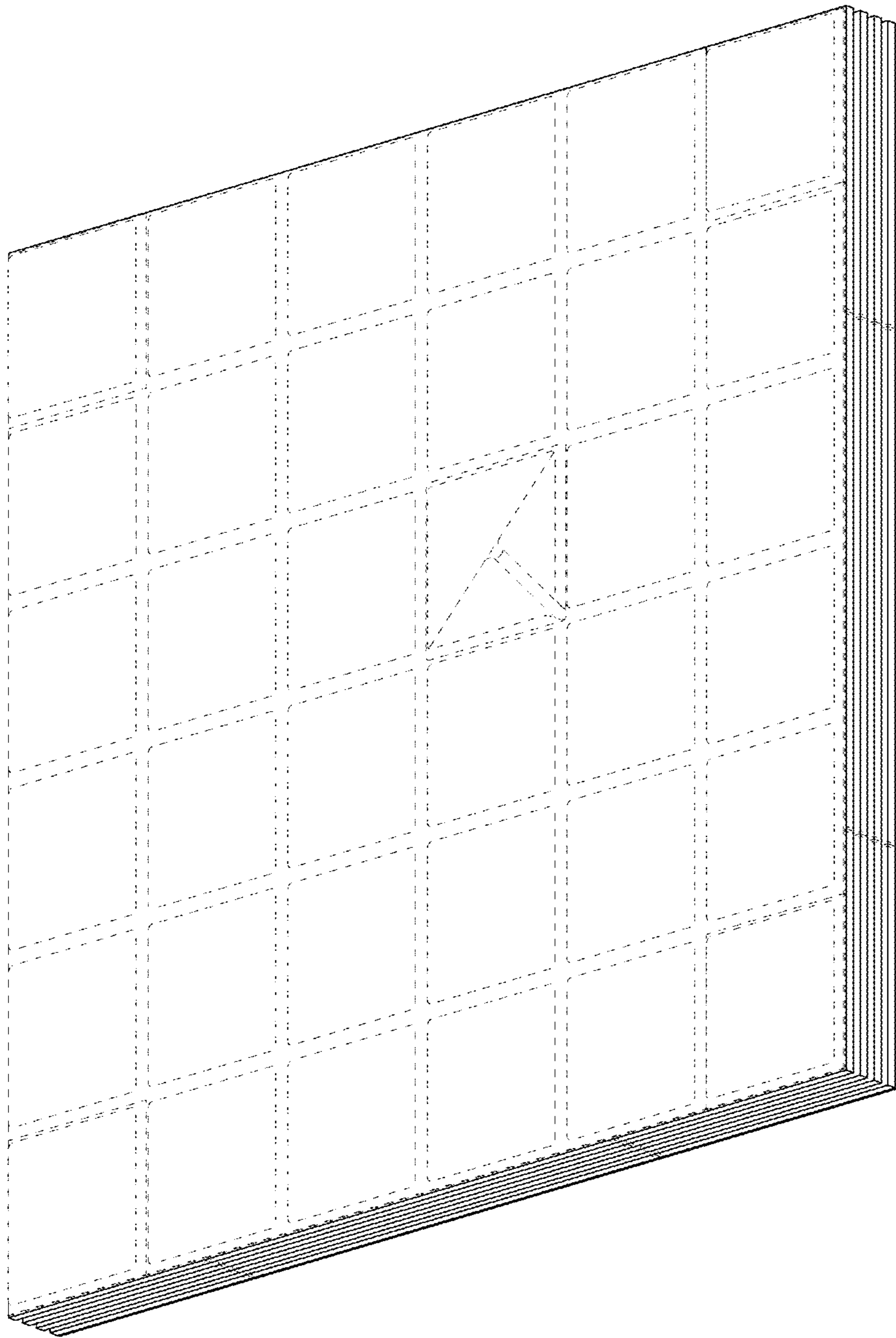


FIG. 19

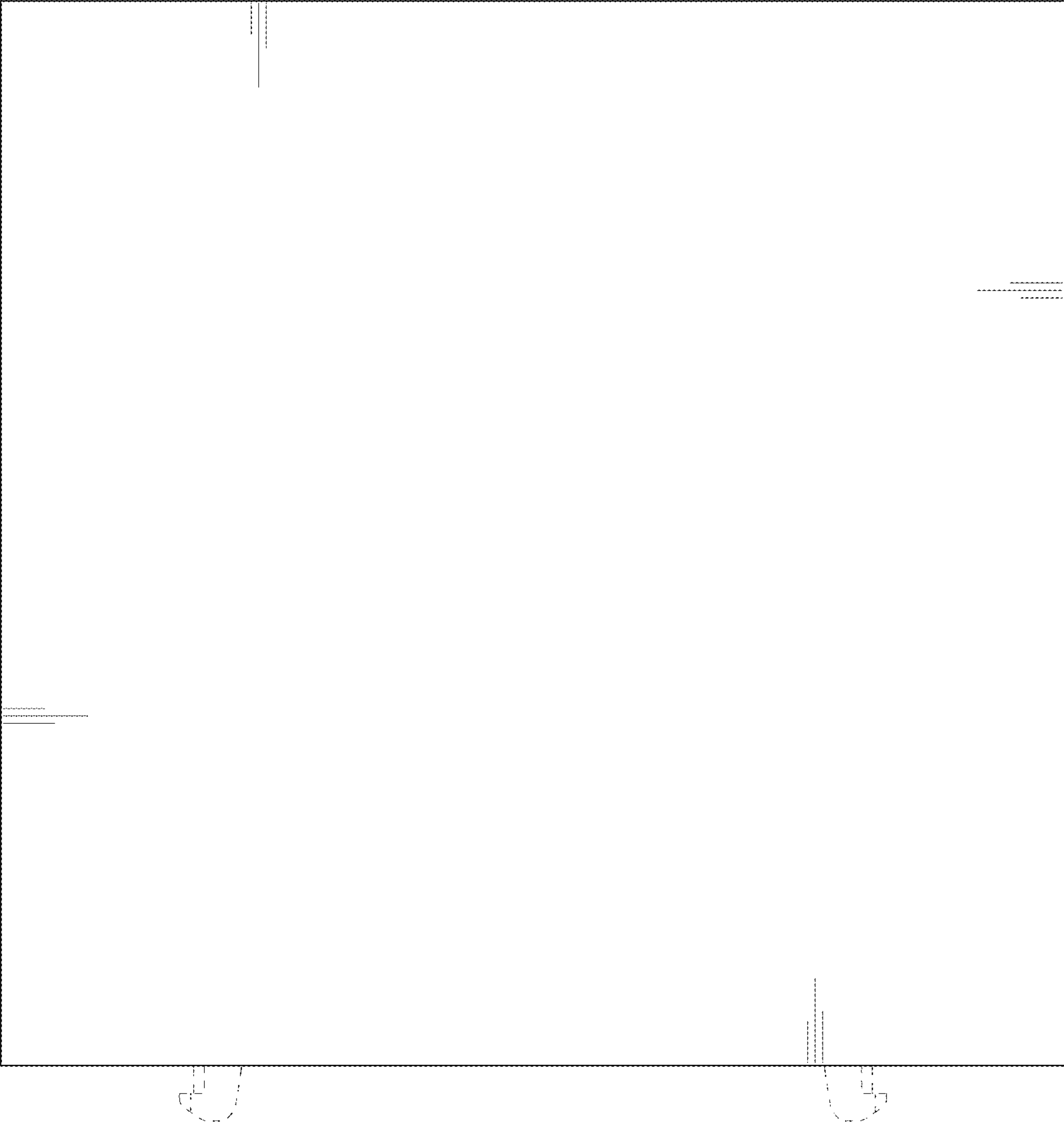


FIG. 20

