



US00D909321S

(12) **United States Design Patent**
Lee et al.

(10) **Patent No.:** **US D909,321 S**
(45) **Date of Patent:** **** Feb. 2, 2021**

(54) **BUOYANCY BODY**

(71) Applicant: **Semi LED co., Ltd.**, Jeonju-si (KR)

(72) Inventors: **Hyo Lee**, Jeonju-si (KR); **Young Choul Park**, Iksan-si (KR); **Noh Joon Park**, Jeonju-si (KR); **Kang Hwa Lee**, Jeonju-si (KR)

(73) Assignee: **Semi LED co., Ltd.**, Jeonju-si (KR)

(**) Term: **15 Years**

(21) Appl. No.: **29/706,809**

(22) Filed: **Sep. 24, 2019**

(30) **Foreign Application Priority Data**

Aug. 2, 2019 (KR) 30-2019-0037097

(51) **LOC (13) Cl.** **13-99**

(52) **U.S. Cl.**
USPC **D13/199**

(58) **Field of Classification Search**
USPC D13/182, 101, 184, 199; D15/144.1, D15/199; D8/499; D10/83, 84; D21/803, 804, 805, 678, 680, 769; D6/601, 604; 73/170.29, 170.34
CPC F03B 17/00; F03B 17/02; F03B 17/04; Y02E 10/20
See application file for complete search history.

(56) **References Cited**

U.S. PATENT DOCUMENTS

4,358,834 A * 11/1982 Swenson G10K 11/006 367/173
D298,271 S * 10/1988 Balsey D21/803
5,663,927 A * 9/1997 Olson G01V 1/22 367/131
D486,546 S * 2/2004 Peterson D21/803
D488,530 S * 4/2004 Peterson D21/803

D490,493 S * 5/2004 Peterson D21/803
6,807,856 B1 * 10/2004 Webb B63B 22/18 73/170.29
8,596,119 B2 * 12/2013 Teli G01F 23/0038 73/309
D697,336 S * 1/2014 Perry D6/601
8,919,111 B2 * 12/2014 Sun F03B 17/02 60/398
D816,179 S * 4/2018 de Grasse D21/803
D821,989 S * 7/2018 Sung D13/199
D821,990 S * 7/2018 Sung D13/199
D821,991 S * 7/2018 Sung D13/199
D821,992 S * 7/2018 Sung D13/199
D821,993 S * 7/2018 Sung D13/199
D821,994 S * 7/2018 Sung D13/199
2010/0146961 A1 * 6/2010 Silva F03B 17/04 60/495
2012/0204775 A1 * 8/2012 Watanabe B63G 8/24 114/56.1

* cited by examiner

Primary Examiner — Elizabeth J Oswecki
(74) *Attorney, Agent, or Firm* — Paratus Law Group, PLLC

(57) **CLAIM**

The ornamental design for a buoyancy body, as shown and described.

DESCRIPTION

FIG. 1 is a front, top, and right side perspective view of a buoyancy body showing our new design;
FIG. 2 is a front view thereof;
FIG. 3 is a back view thereof;
FIG. 4 is a left side view thereof;
FIG. 5 is a right side view thereof;
FIG. 6 is a top view thereof;
FIG. 7 is a bottom view thereof; and,
FIG. 8 is a front, bottom and right side perspective view thereof.

1 Claim, 8 Drawing Sheets

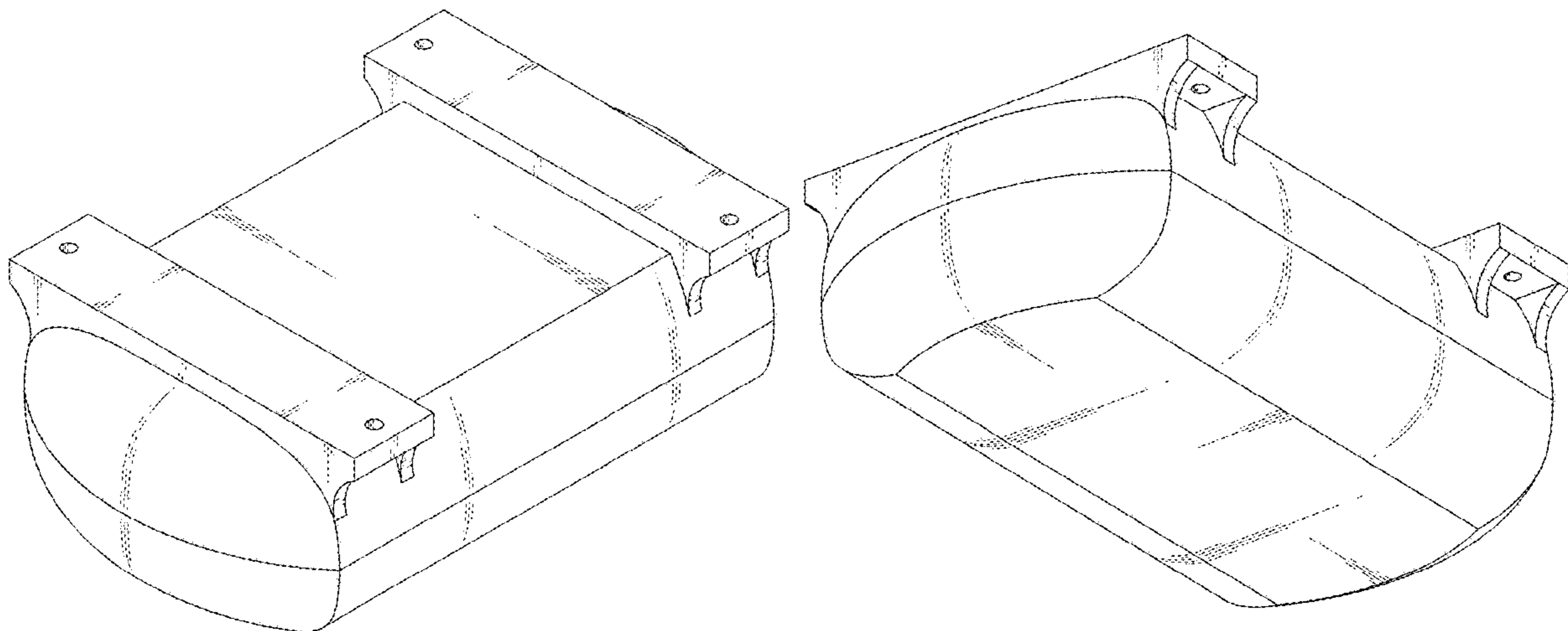


FIG. 1

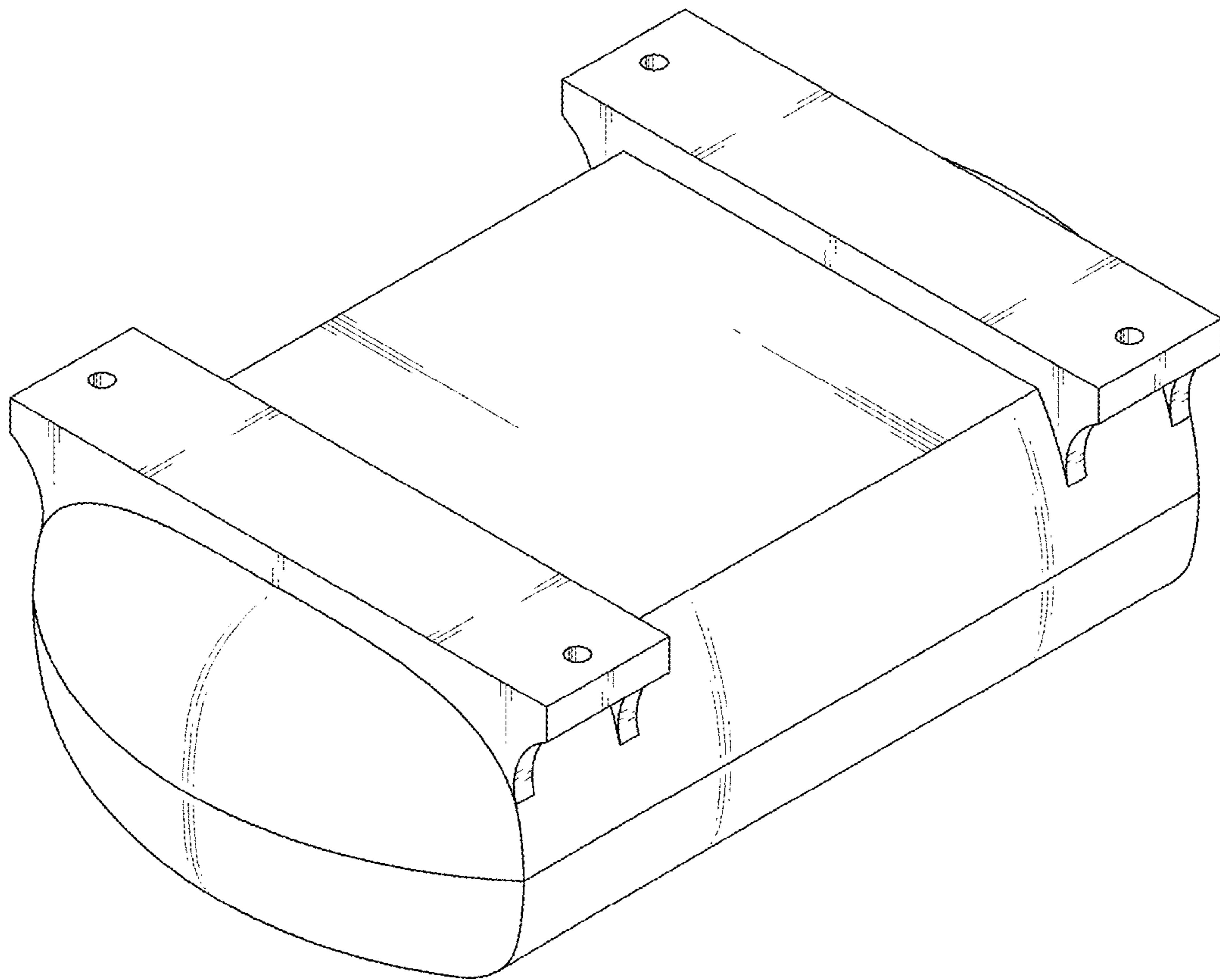


FIG. 2

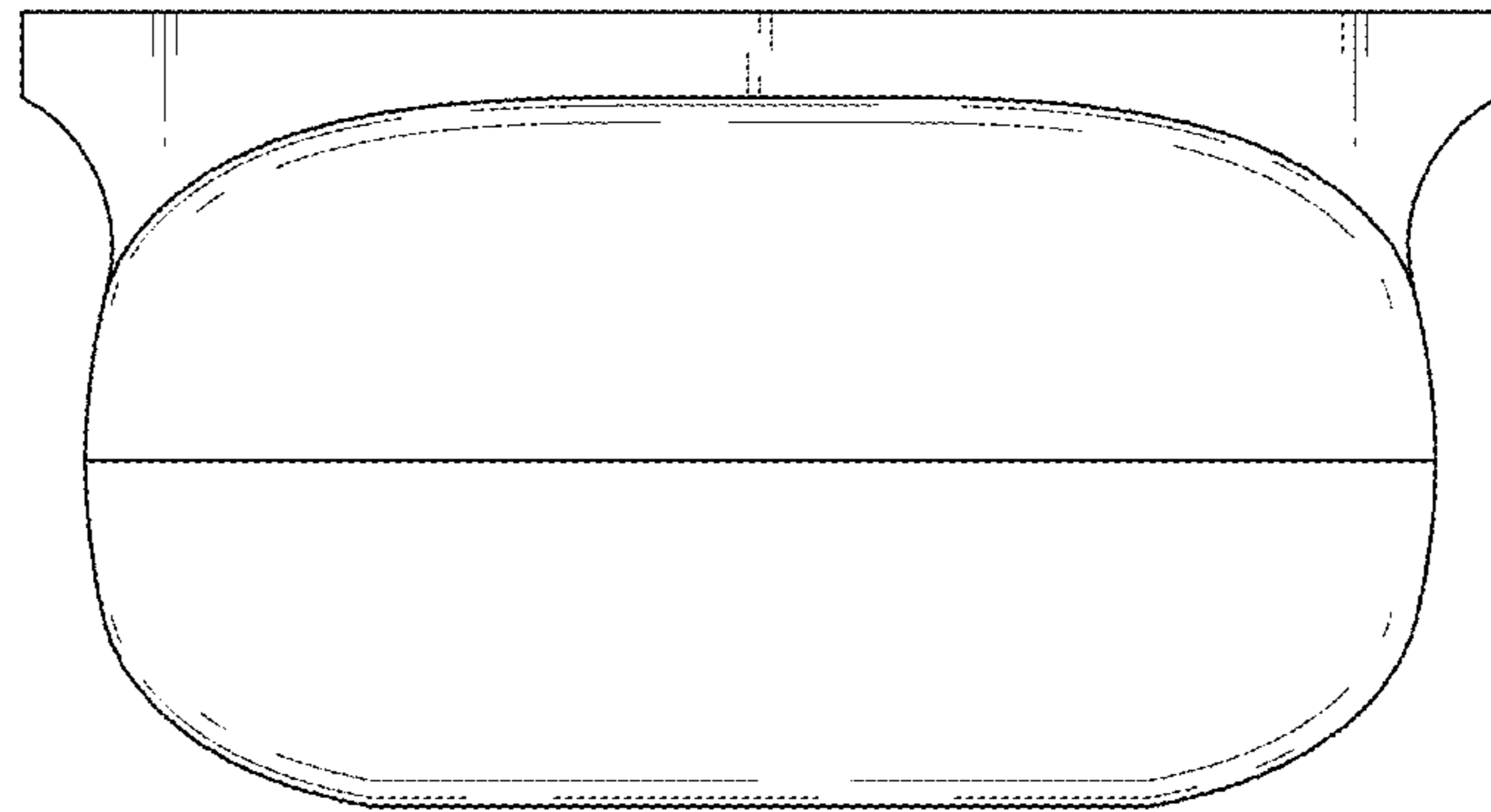


FIG. 3

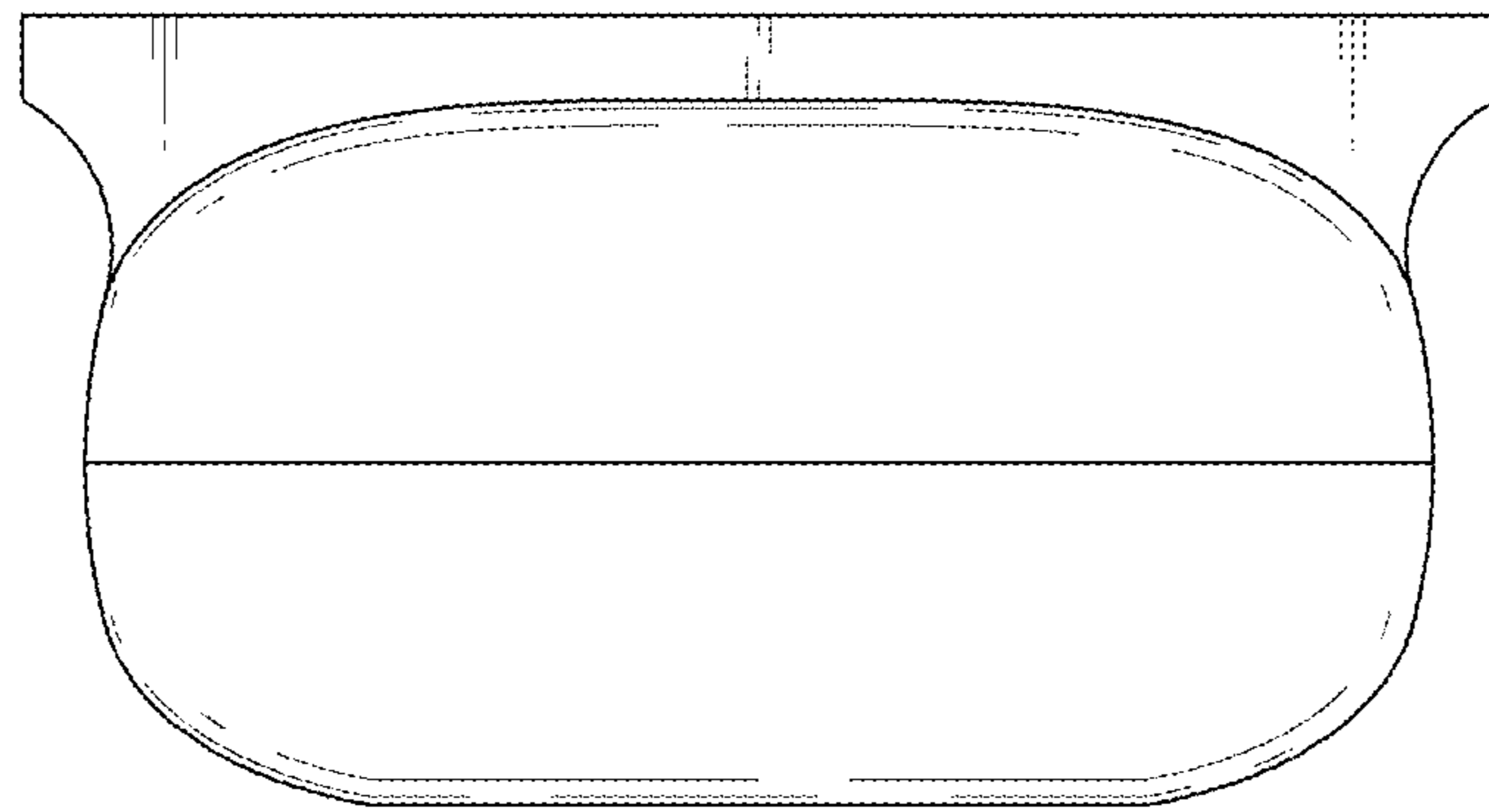


FIG. 4

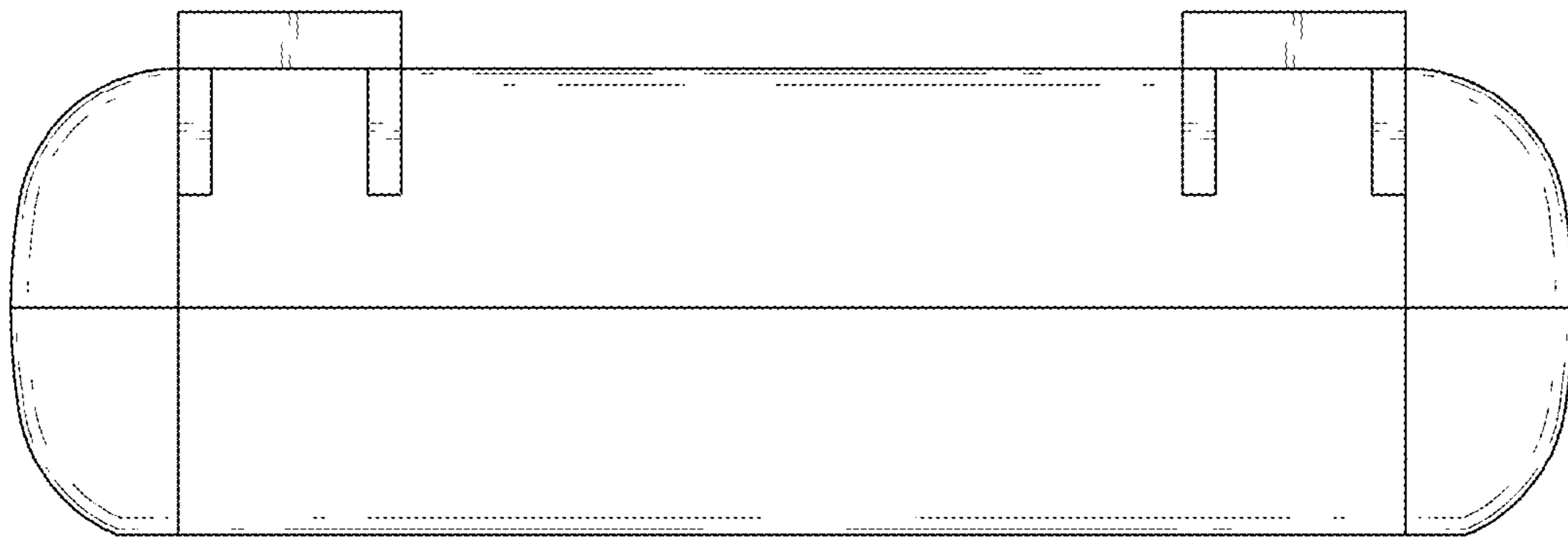


FIG. 5

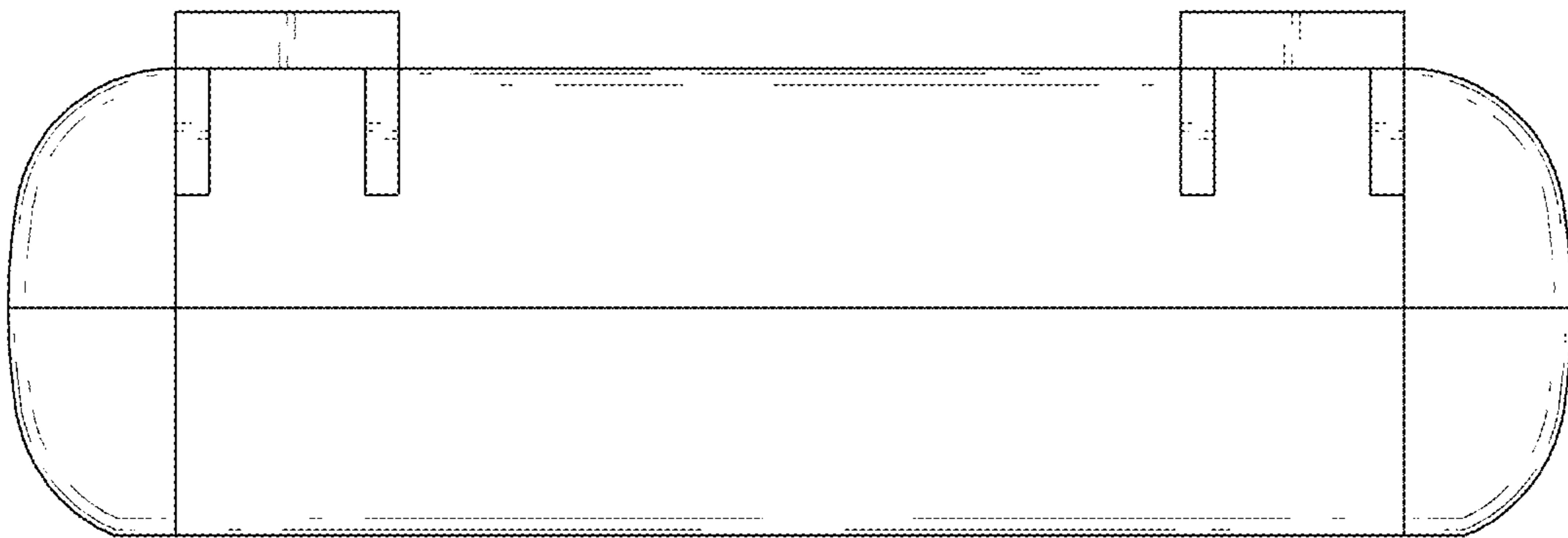


FIG. 6

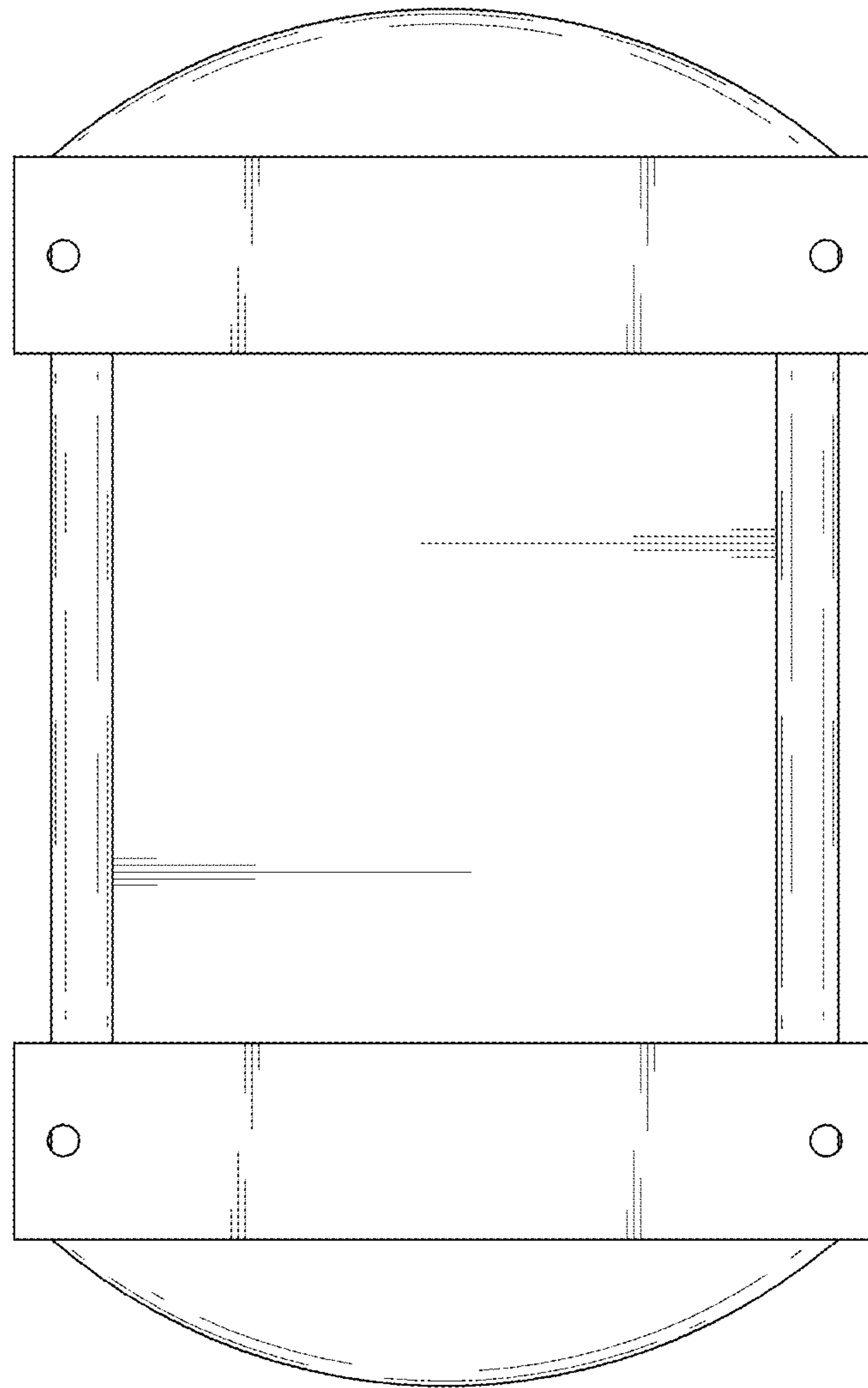


FIG. 7

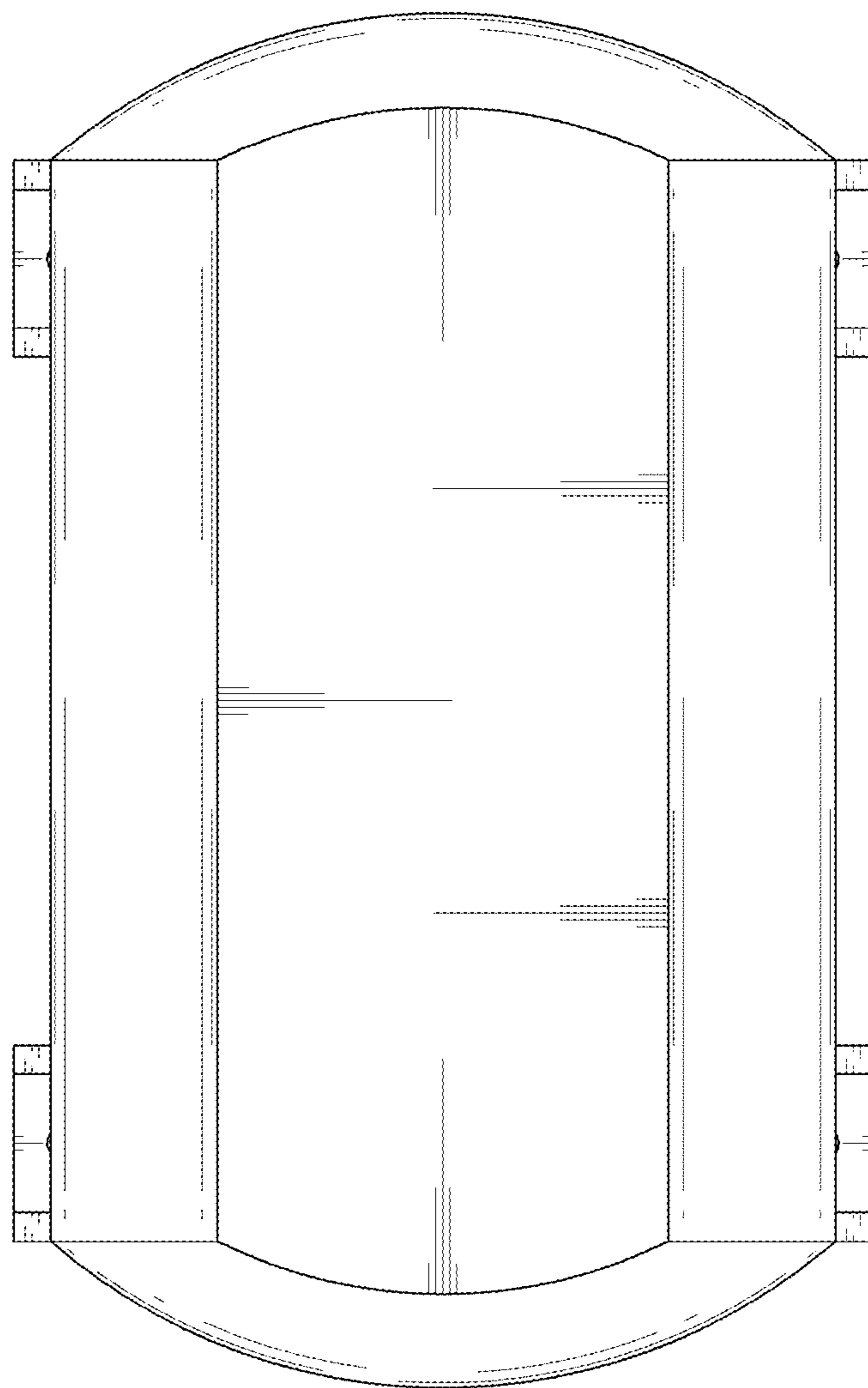


FIG. 8

