



US00D909320S

(12) **United States Design Patent**
von der Lippe

(10) **Patent No.:** **US D909,320 S**

(45) **Date of Patent:** **** Feb. 2, 2021**

(54) **HOUSING FOR ELECTRIC AND ELECTRONIC COMPONENTS**

(71) Applicant: **ROLEC Gehäuse-Systeme GmbH**,
Rinteln/Weser (DE)

(72) Inventor: **Bernd von der Lippe**, Bückeberg (DE)

(73) Assignee: **ROLEC Gehäuse-Systeme GmbH**,
Rinteln/Weser (DE)

(**) Term: **15 Years**

(21) Appl. No.: **29/686,342**

(22) Filed: **Apr. 3, 2019**

(30) **Foreign Application Priority Data**

Oct. 4, 2018 (EM) 005736006

(51) **LOC (13) Cl.** **13-03**

(52) **U.S. Cl.**
USPC **D13/184**

(58) **Field of Classification Search**
USPC D13/133, 147, 152, 158, 159, 160, 161,
D13/162, 184, 199

CPC H02B 1/40; H02B 1/00
See application file for complete search history.

(56) **References Cited**

U.S. PATENT DOCUMENTS

D284,959 S	8/1986	Berg	D13/184
D376,350 S	12/1996	Worley	D13/184
5,769,006 A	6/1998	Allaer	E05G 1/00 109/51
D408,015 S *	4/1999	Faucher	D13/152
D425,493 S	5/2000	Cutright	D13/184
D604,254 S	11/2009	Lanfear	D13/162
7,737,360 B2 *	6/2010	Wiemeyer	H04Q 1/13 174/50

D634,720 S *	3/2011	Cheng	D13/184
D635,106 S	3/2011	Cheng	13/184
D660,261 S	5/2012	Huang	D13/184
D702,198 S	4/2014	Gretz	D13/152
D730,305 S	5/2015	Brunn	D13/184
D777,104 S *	1/2017	Liu	D13/119
D789,899 S	6/2017	Von Der Lippe		
D848,348 S *	5/2019	Long	D12/345
D864,004 S *	10/2019	Krissel	D10/96
D890,075 S *	7/2020	Long	D12/345

(Continued)

Primary Examiner — Keli L Hill

Assistant Examiner — Harold E Blackwell, II

(74) *Attorney, Agent, or Firm* — Shlesinger, Arkwright & Garvey LLP

(57) **CLAIM**

The ornamental design for a housing for electric and electronic components, as shown and described.

DESCRIPTION

FIG. 1 is a front perspective view of a housing for electric and electronic components, showing the inventor's new design;

FIG. 2 is a rear view of the inventor's housing for electric and electronic components of FIG. 1;

FIG. 3 is a side view of the inventor's housing for electric and electronic components of FIG. 1;

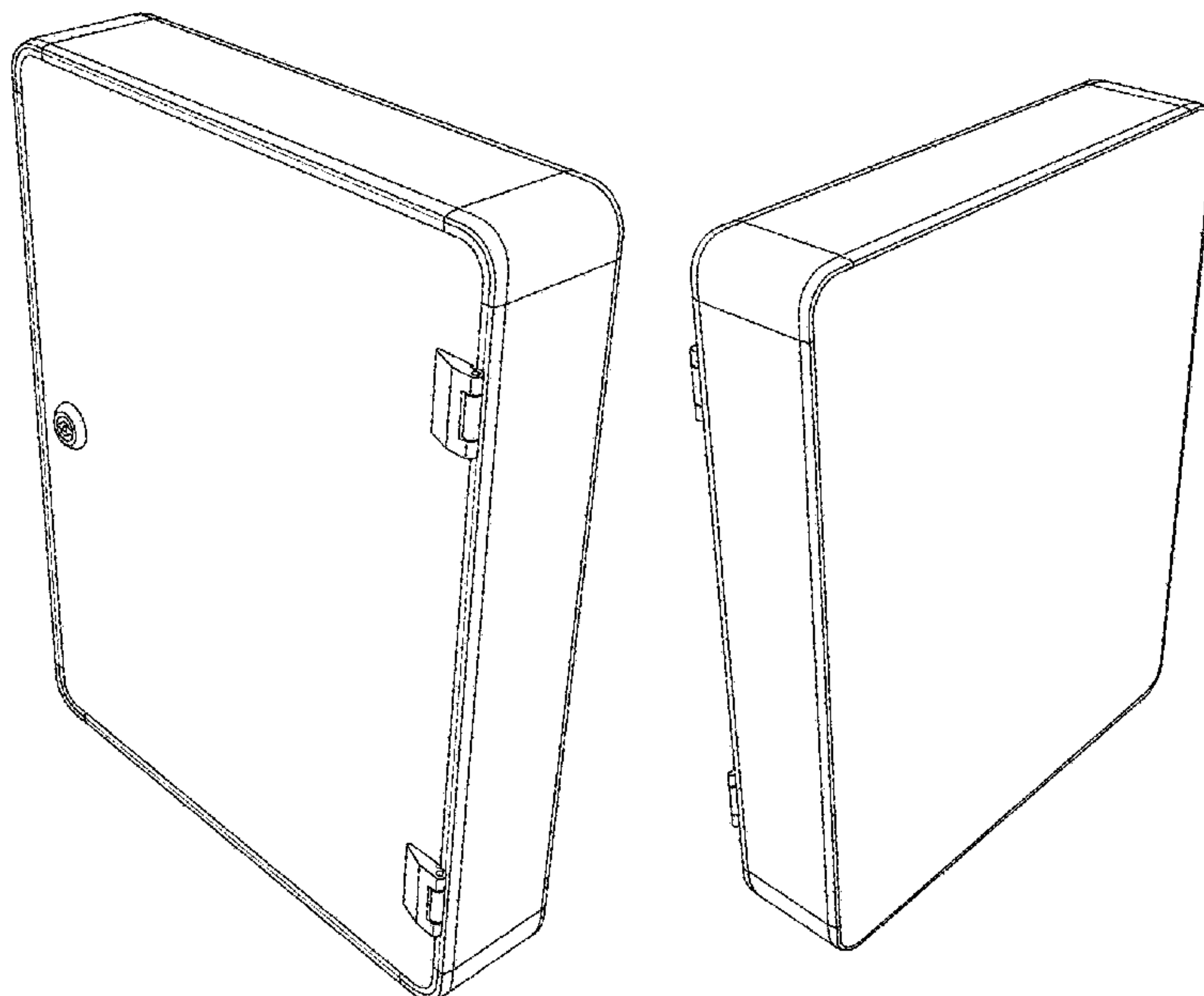
FIG. 4 is another front perspective view of the inventor's housing for electric and electronic components of FIG. 1;

FIG. 5 is another side view of the inventor's housing for electric and electronic components of FIG. 1;

FIG. 6 is rear perspective view of the inventor's housing for electric and electronic components of FIG. 1; and,

FIG. 7 is another rear perspective view of the inventor's housing for electric and electronic components of FIG. 1.

1 Claim, 4 Drawing Sheets



(56)

References Cited

U.S. PATENT DOCUMENTS

2008/0058964 A1 * 3/2008 Nickerson A01G 25/16
700/19
2008/0197129 A1 8/2008 Gosche H05K 7/186
220/4.02

* cited by examiner

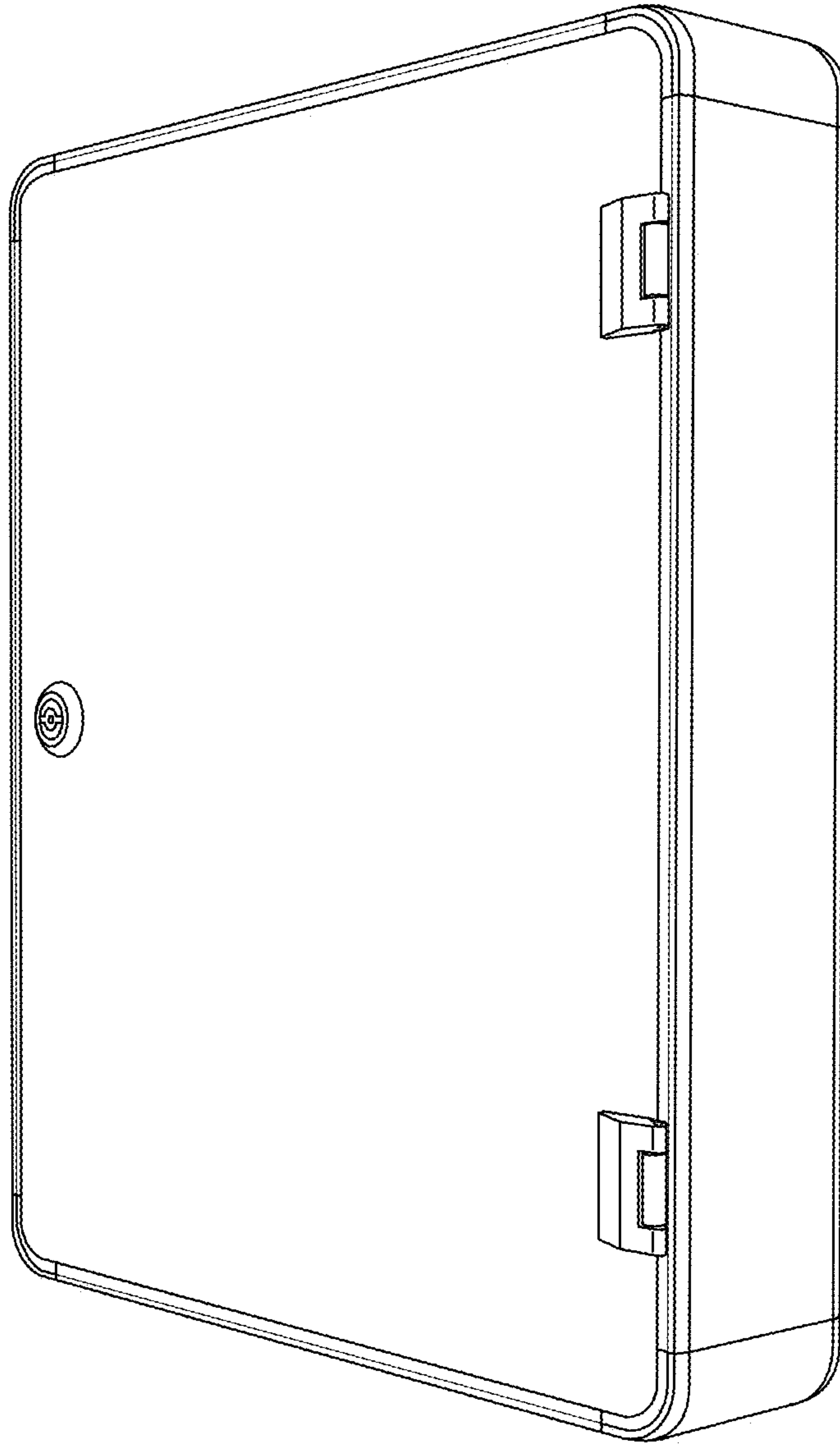


FIG. 1

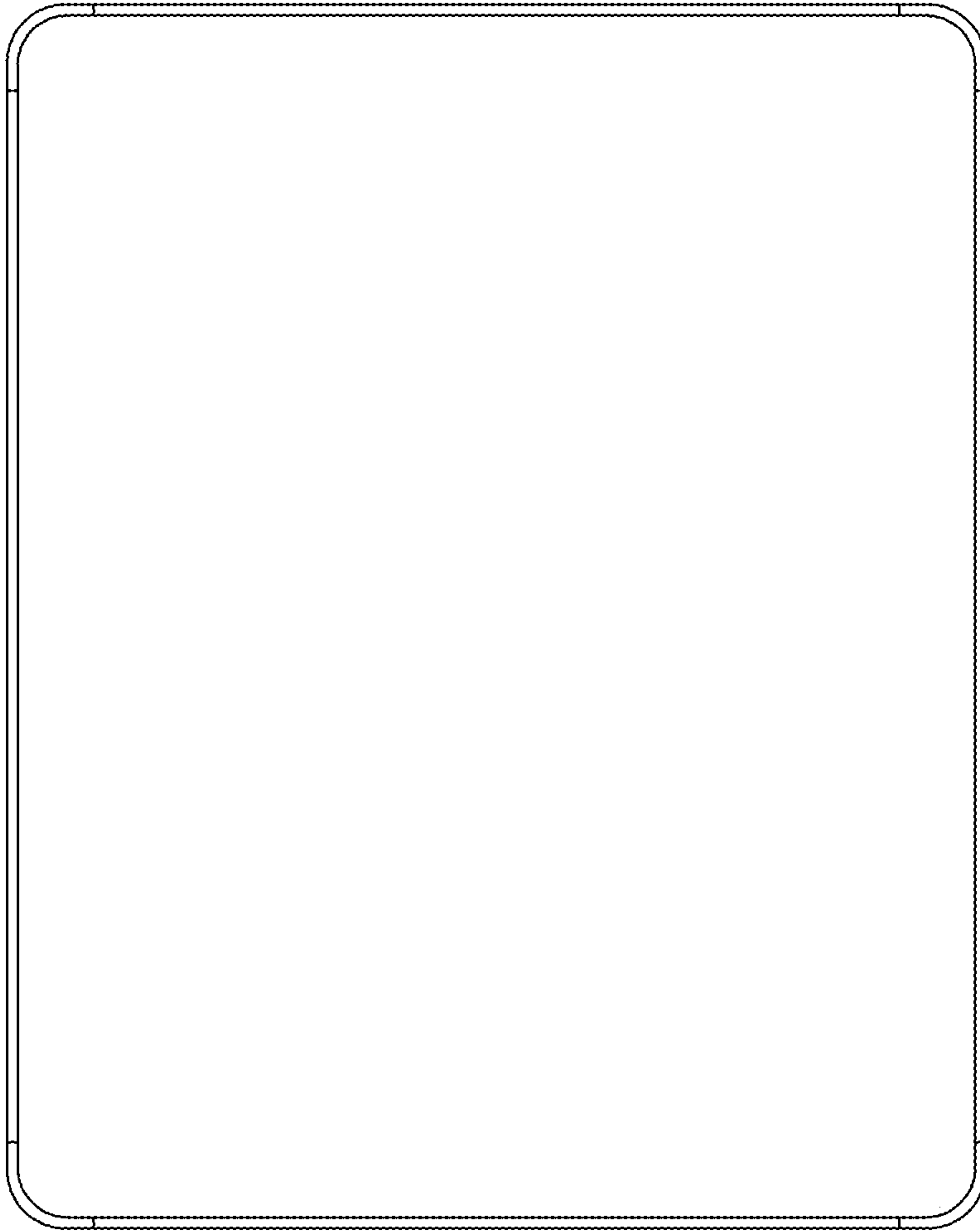


FIG. 2

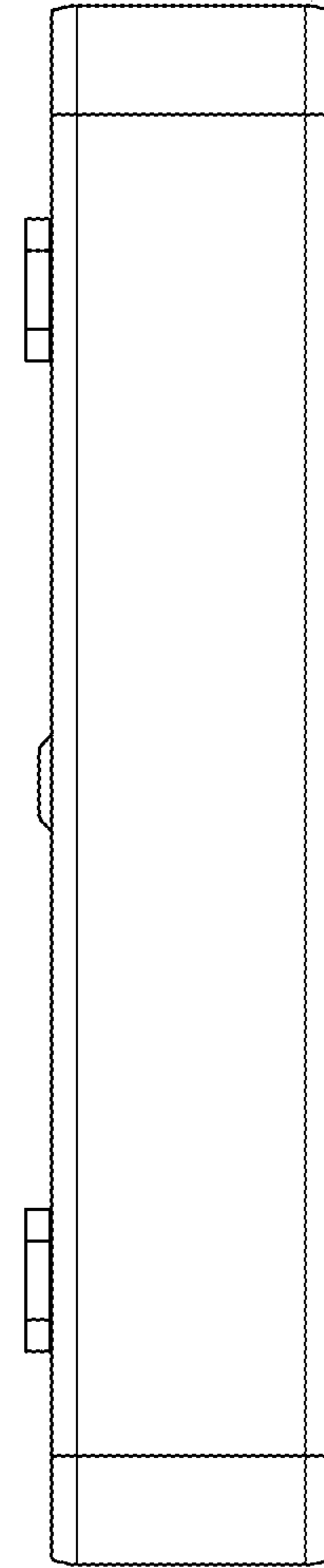


FIG. 3

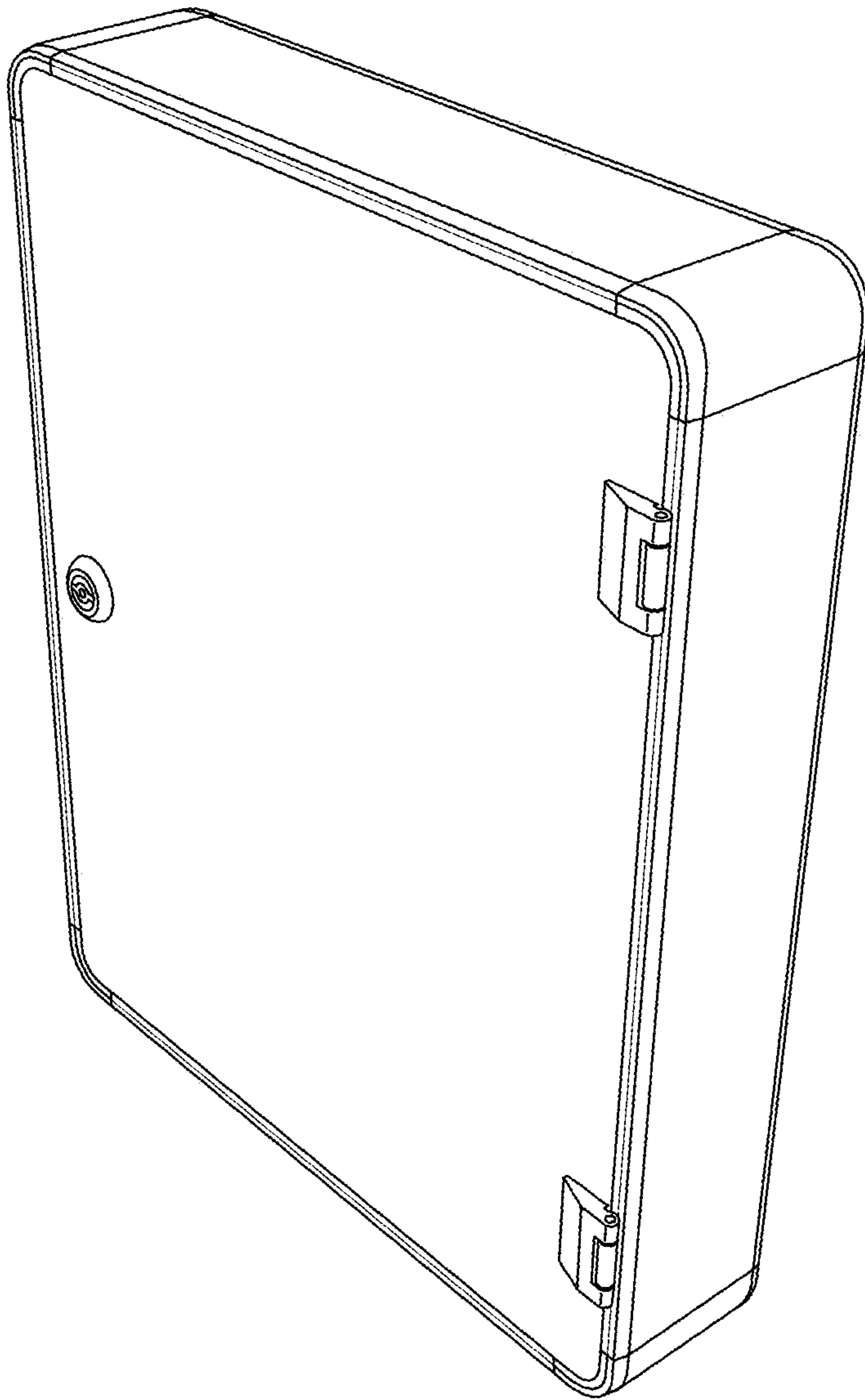


FIG. 4

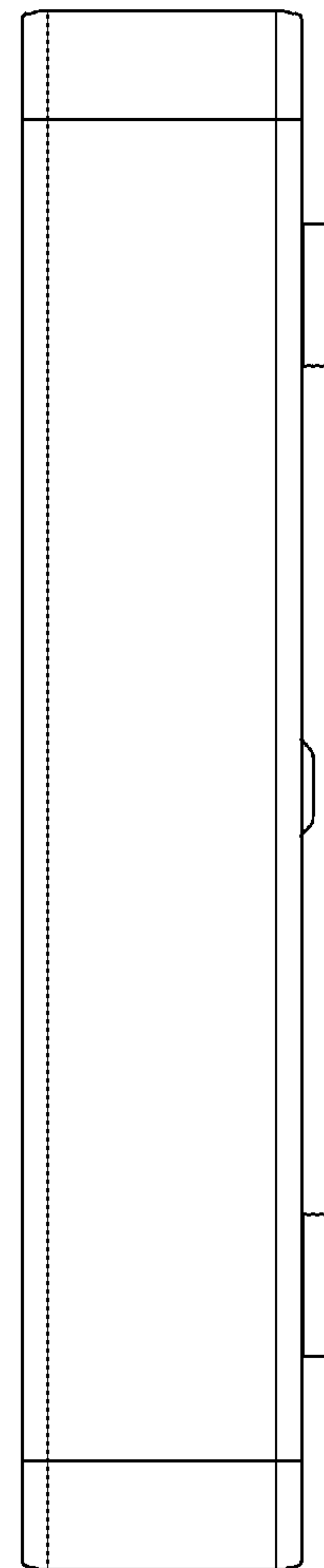


FIG. 5

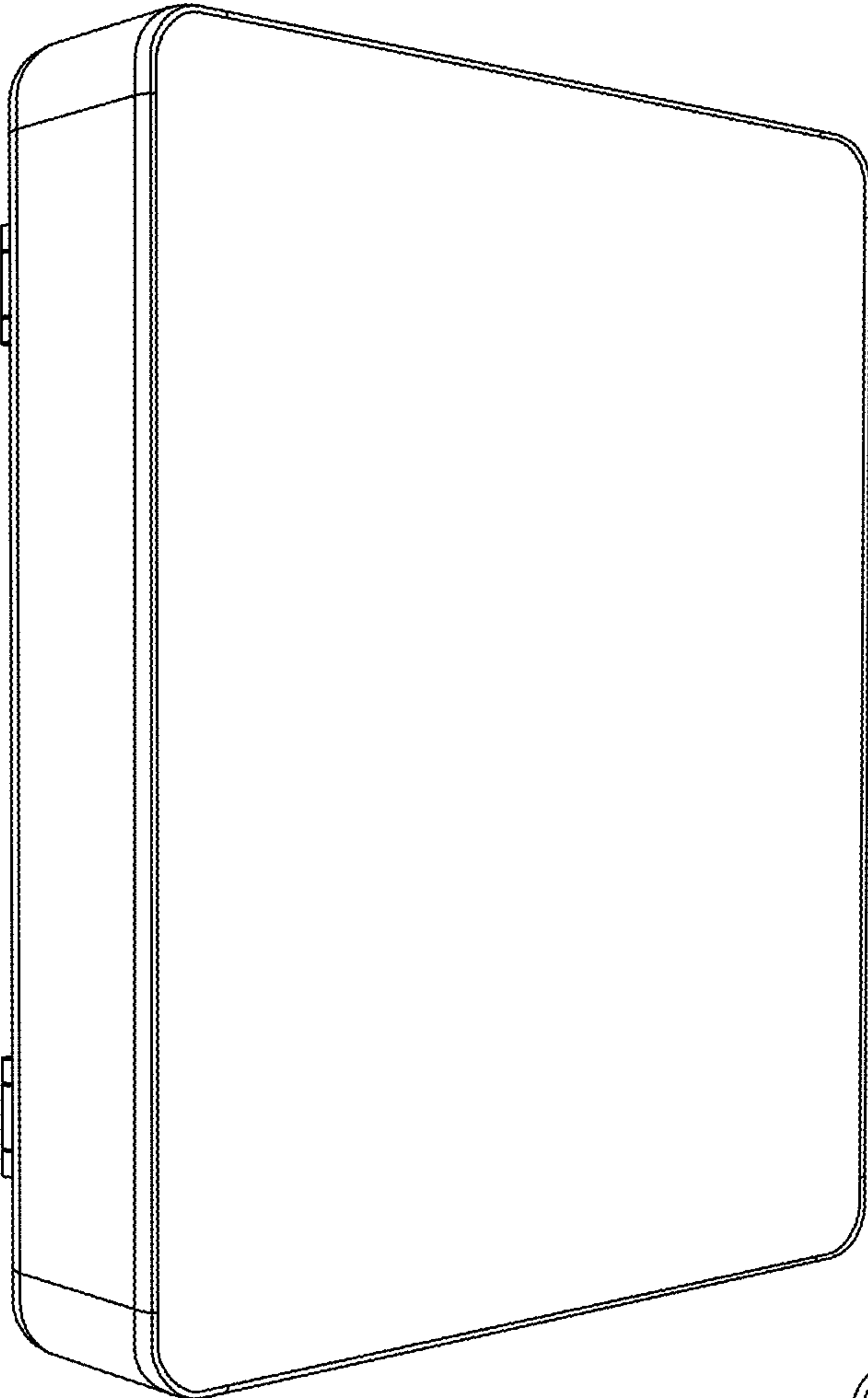


FIG. 6

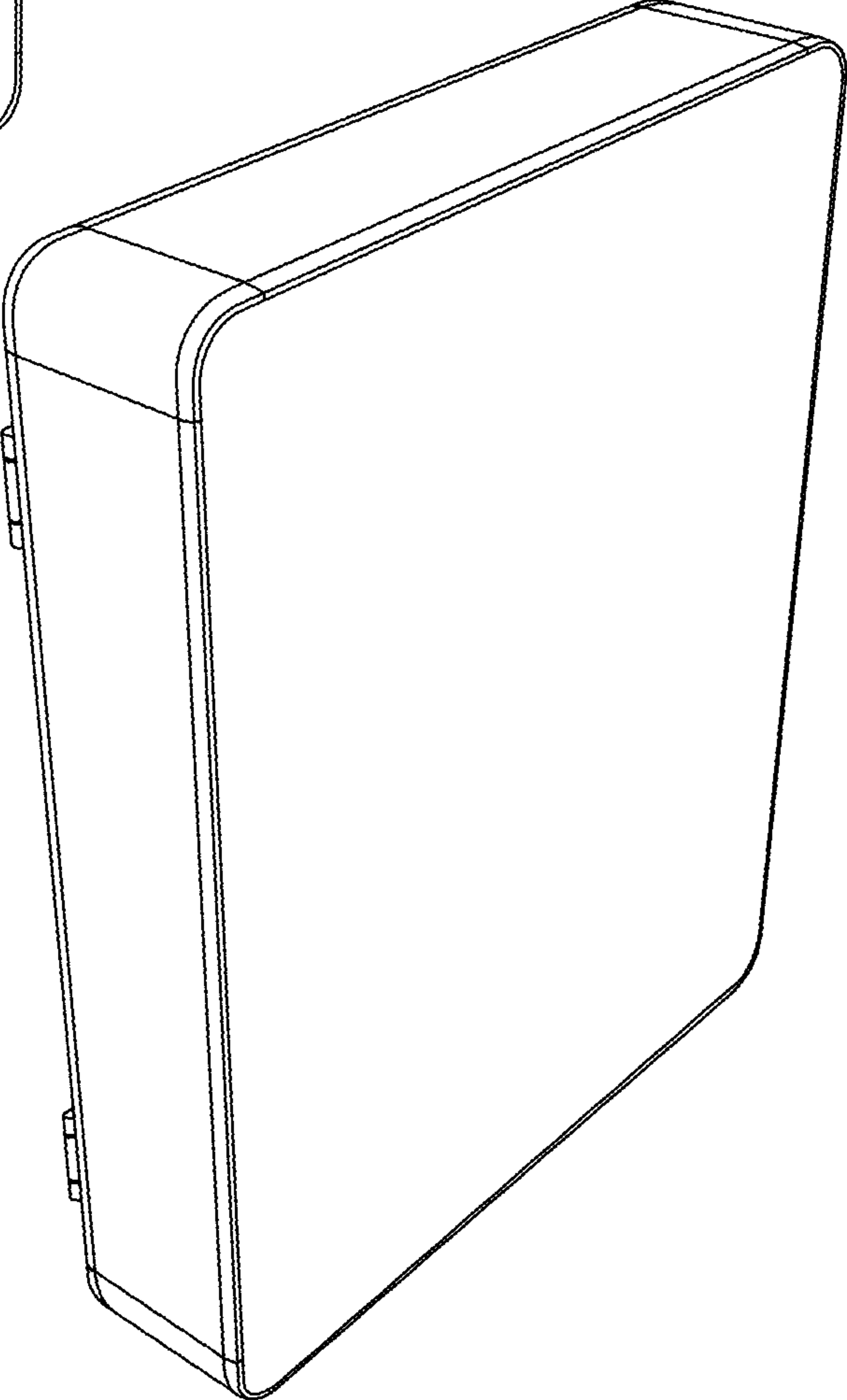


FIG. 7