



US00D909318S

(12) **United States Design Patent** (10) **Patent No.:** **US D909,318 S**
Itakura et al. (45) **Date of Patent:** **** Feb. 2, 2021**

(54) **SEMICONDUCTOR PACKAGE**

(71) Applicant: **Mitsubishi Electric Corporation,**
Tokyo (JP)

(72) Inventors: **Hiroshi Itakura,** Tokyo (JP); **Keitaro Yamagishi,** Tokyo (JP); **Yoshihiro Akeboshi,** Tokyo (JP)

(73) Assignee: **Mitsubishi Electric Corporation,**
Tokyo (JP)

(**) Term: **15 Years**

(21) Appl. No.: **29/709,610**

(22) Filed: **Oct. 16, 2019**

Related U.S. Application Data

(62) Division of application No. 29/614,124, filed on Aug. 16, 2017, now Pat. No. Des. 877,707.

(30) **Foreign Application Priority Data**

Mar. 30, 2017 (JP) 2017-006616
Mar. 30, 2017 (JP) 2017-006617
Mar. 30, 2017 (JP) 2017-006618
Mar. 30, 2017 (JP) 2017-006619
Mar. 30, 2017 (JP) 2017-006620

(51) **LOC (13) Cl.** **13-03**

(52) **U.S. Cl.**
USPC **D13/182**

(58) **Field of Classification Search**
USPC D13/182; 257/678, 684, 690, 691;
361/679.01, 713, 728, 736, 760, 761, 772,
361/775, 783, 820; 174/250, 253;
438/15, 25, 26, 51, 55, 63, 64, 106
CPC . H01L 21/00; H01L 2224/42; H01L 2224/43;
H01L 2021/00; H01L 2021/02; H01L
2021/04; H01L 21/4814; H01L 21/4846;
H01L 21/4871; H01L 21/67144; H01L
23/02; H01L 23/13; H01L 23/14; H01L

23/147; H01L 2924/171; H01L
2924/1711; H01L 2924/1715; H01L
2924/17151; H01L 2924/181; H01L
(Continued)

(56) **References Cited**

U.S. PATENT DOCUMENTS

2,498,585 A * 2/1950 Seiden H03H 9/1028
310/355
2,817,046 A * 12/1957 Weiss H01L 24/01
257/794

(Continued)

Primary Examiner — Elizabeth J Oswecki

(74) *Attorney, Agent, or Firm* — Studebaker & Brackett
PC

(57) **CLAIM**

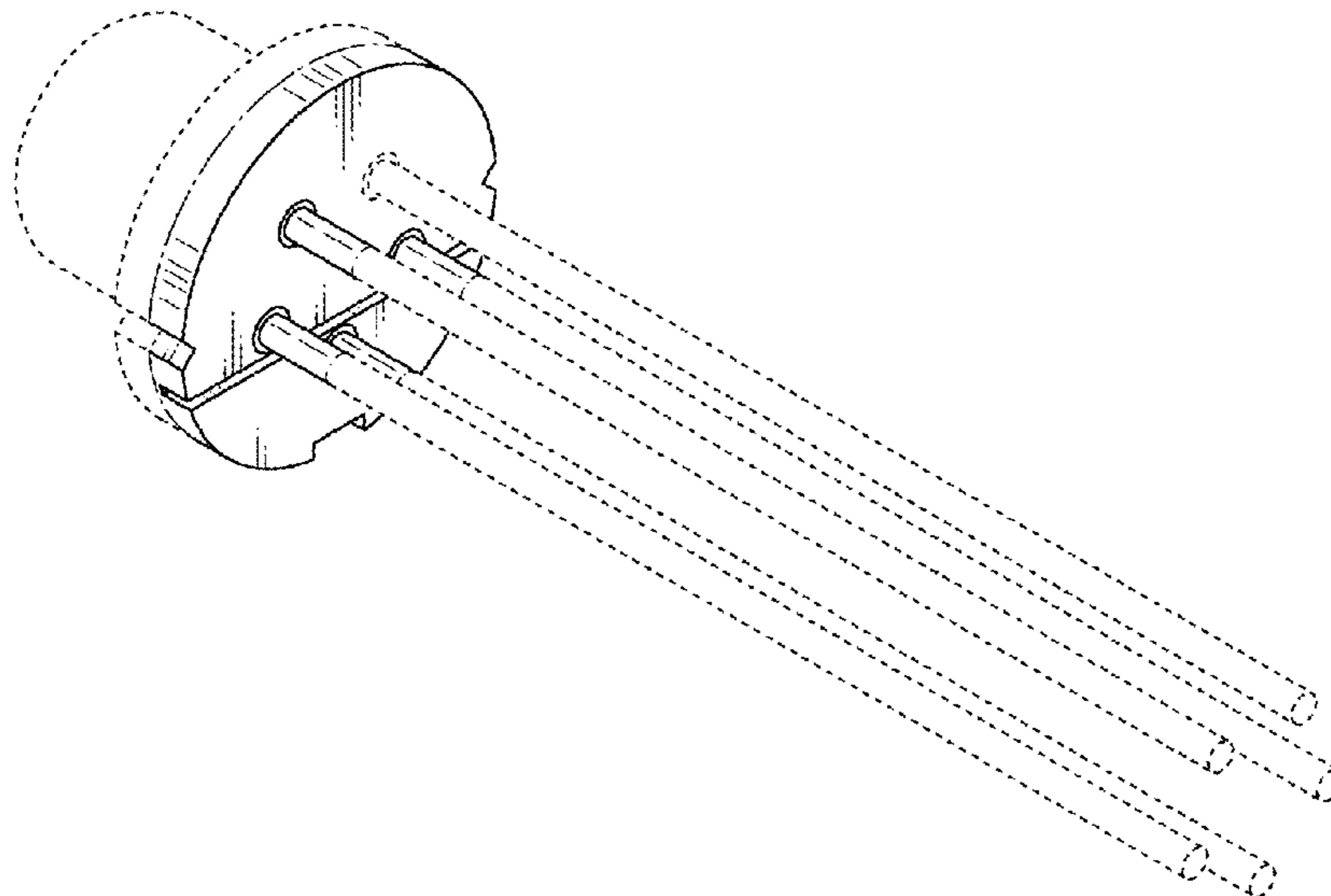
The ornamental design for a semiconductor package, as shown and described.

DESCRIPTION

FIG. 1 is a front, top and left side perspective view of a semiconductor package showing our new design;
FIG. 2 is a front view thereof;
FIG. 3 is a rear view thereof;
FIG. 4 is a top view thereof;
FIG. 5 is a bottom view thereof;
FIG. 6 is a left side view thereof;
FIG. 7 is a right view thereof;
FIG. 8 is a cross-sectional view taken along line 8-8 in FIG. 2, with the internal structure shown in broken lines; and,
FIG. 9 is a perspective view of FIG. 1, shown in a state of use.

The parts shown in even dashed broken lines do not form part of the claimed design. The dot and dashed lines mean a boundary between the claimed portion and the non-claimed portion and form no part of the claimed design.

1 Claim, 6 Drawing Sheets



(58) **Field of Classification Search**
 CPC 2924/1811; H01L 2924/1815; H01L
 2924/19042; H01L 2924/1905; H01L
 2224/08054; H01L 23/58; H05B 41/14;
 H02B 6/4201; G02B 6/4256; G02B
 6/4257; G02B 6/4261; G02B 6/4262;
 G02B 6/428; G02B 6/4281; H05K 1/14;
 H05K 1/141; H05K 1/142; H05K 1/144;
 H05K 1/18; H05K 1/181; H05K 1/182;
 H05K 1/026

See application file for complete search history.

(56) **References Cited**

U.S. PATENT DOCUMENTS

2,986,678 A * 5/1961 Andres H01L 23/488
 257/708
 3,458,779 A 7/1969 Blank et al.
 3,510,732 A * 5/1970 Amans C09K 11/06
 257/77
 3,562,609 A * 2/1971 Addamiano H01L 33/00
 257/77
 3,614,550 A * 10/1971 Marinace H01S 5/30
 372/44.01
 3,715,636 A * 2/1973 Jaffe H01L 33/56
 257/76
 3,774,086 A * 11/1973 Vincent, Jr. H01L 33/50
 257/95
 3,805,347 A * 4/1974 Collins H01L 33/58
 445/24
 3,962,719 A * 6/1976 Pfaff H05K 7/1053
 257/678
 4,032,963 A * 6/1977 Thome H01L 33/483
 257/100
 4,143,394 A * 3/1979 Schoberl H01L 33/56
 257/98
 4,152,624 A * 5/1979 Knaebel H01L 33/483
 257/434
 4,267,559 A 5/1981 Johnson et al.
 D277,955 S 3/1985 Takahashi
 D278,048 S 3/1985 Takahashi

D278,049 S 3/1985 Takahashi et al.
 D280,812 S 10/1985 Takahashi
 D288,805 S * 3/1987 Nishizawa D13/180
 4,878,107 A * 10/1989 Hopper H03K 17/945
 257/415
 5,266,817 A 11/1993 Lin
 5,459,350 A 10/1995 Date et al.
 5,512,784 A 4/1996 Fried et al.
 5,564,819 A 10/1996 Yamaguchi
 D420,983 S 2/2000 Choi
 6,034,424 A * 3/2000 Fujimura G02B 6/4204
 257/696
 6,147,367 A 11/2000 Yang et al.
 6,335,548 B1 * 1/2002 Roberts H01L 23/49562
 257/98
 6,404,065 B1 6/2002 Choi
 6,521,916 B2 * 2/2003 Roberts B60Q 1/2665
 257/100
 D476,296 S 6/2003 Koizumi
 D482,666 S 11/2003 Kamada
 D483,338 S * 12/2003 Takagi D13/182
 D484,105 S * 12/2003 Takagi D13/182
 6,707,073 B1 * 3/2004 Yamamoto H01S 5/02212
 257/100
 D489,695 S 5/2004 Komoto
 D494,147 S * 8/2004 Takagi D13/182
 6,784,464 B2 * 8/2004 Ichikawa H01L 24/78
 257/99
 6,803,608 B1 * 10/2004 Chen H01L 33/54
 257/81
 D505,664 S * 5/2005 Takagi D13/182
 D515,520 S 2/2006 Komoto
 D623,546 S 9/2010 Nishikawa et al.
 D623,547 S 9/2010 Nishikawa et al.
 D623,548 S 9/2010 Nishikawa et al.
 7,834,433 B2 * 11/2010 Xiaochun H01L 24/40
 257/675
 7,889,770 B2 * 2/2011 Honda H01S 5/02212
 372/36
 D877,707 S * 3/2020 Itakura D13/182
 2008/0111087 A1 * 5/2008 Nishikawa H01L 31/0203
 250/492.1

* cited by examiner

Fig. 1

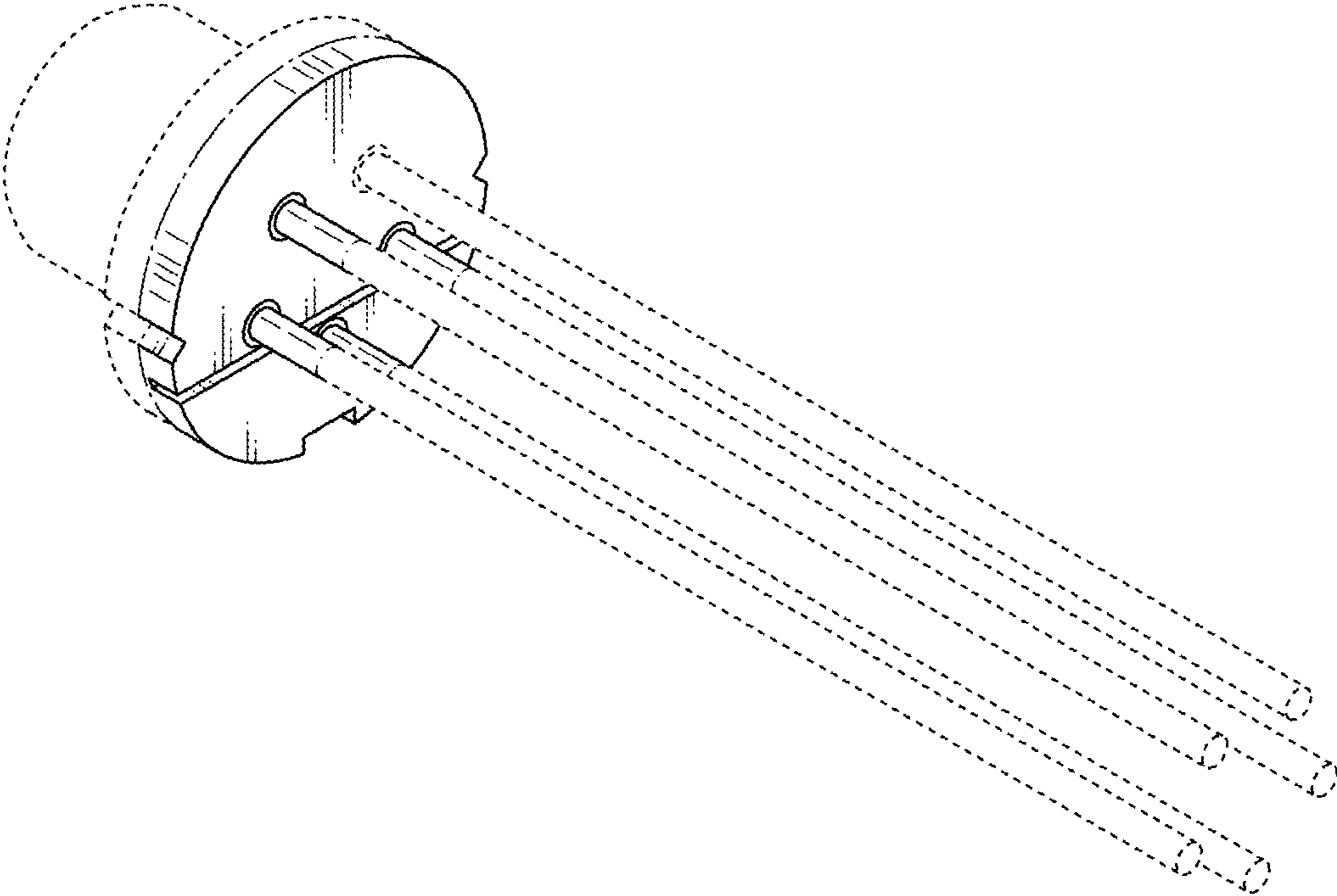


Fig. 2

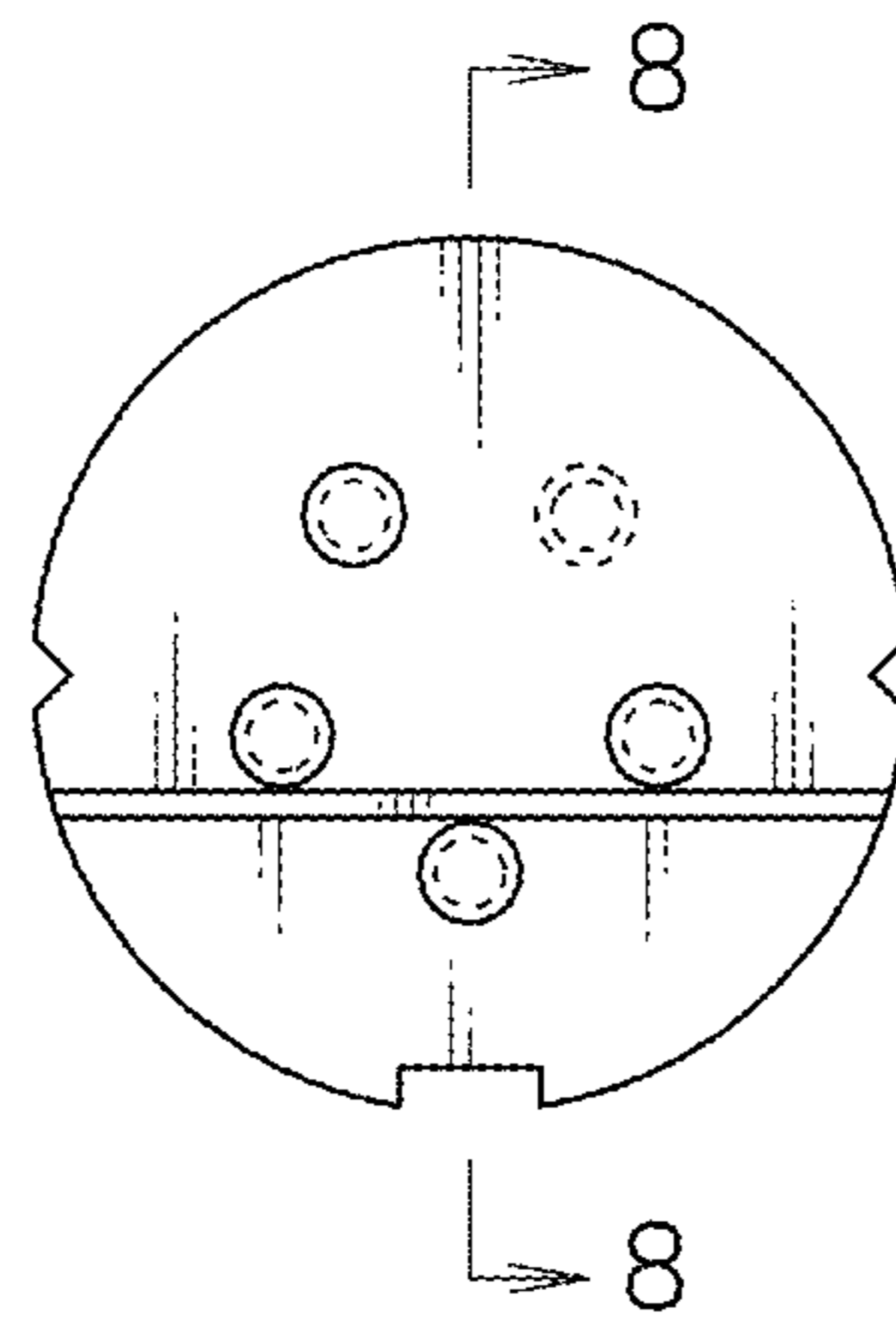


Fig. 3

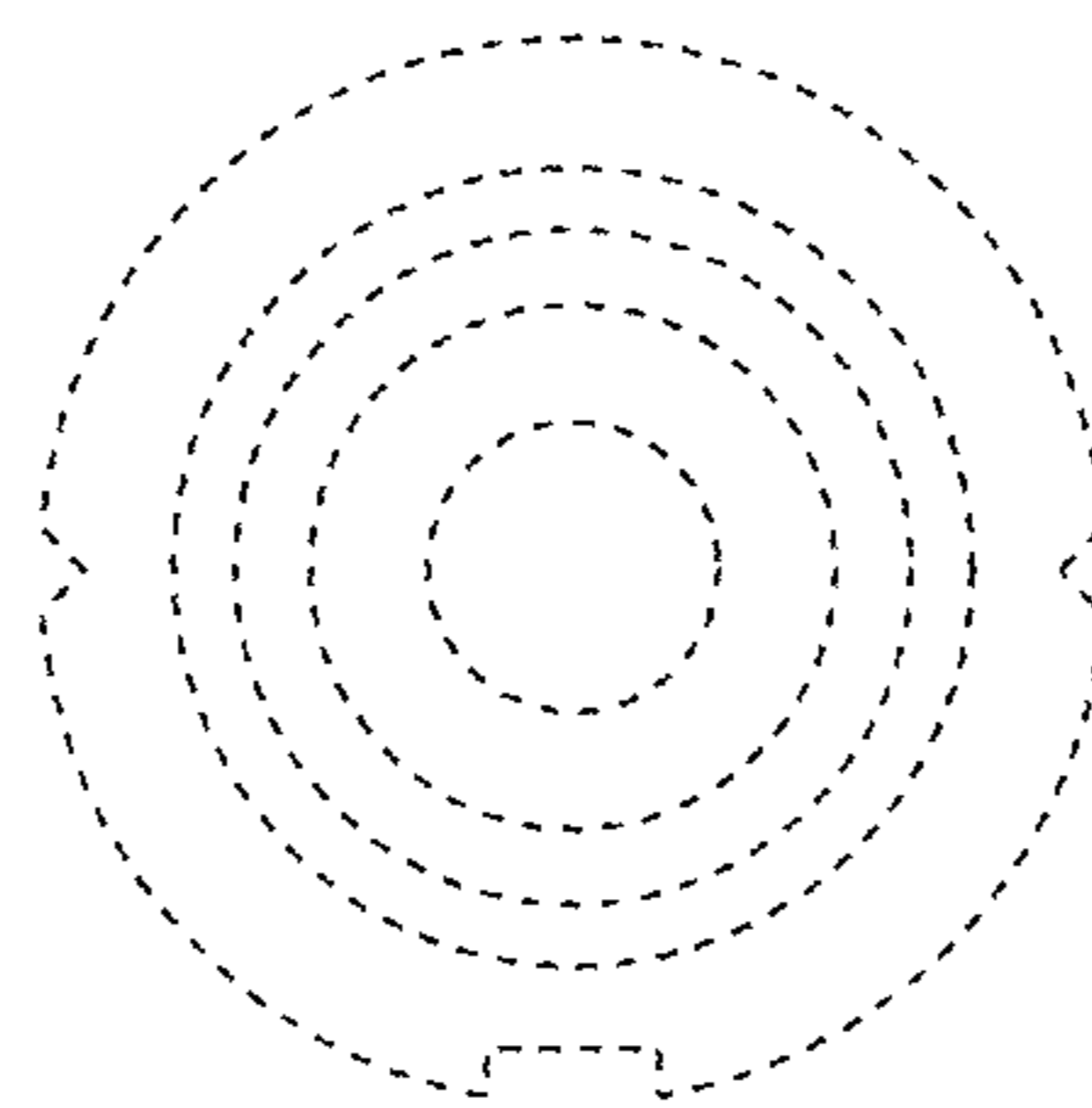


Fig. 4

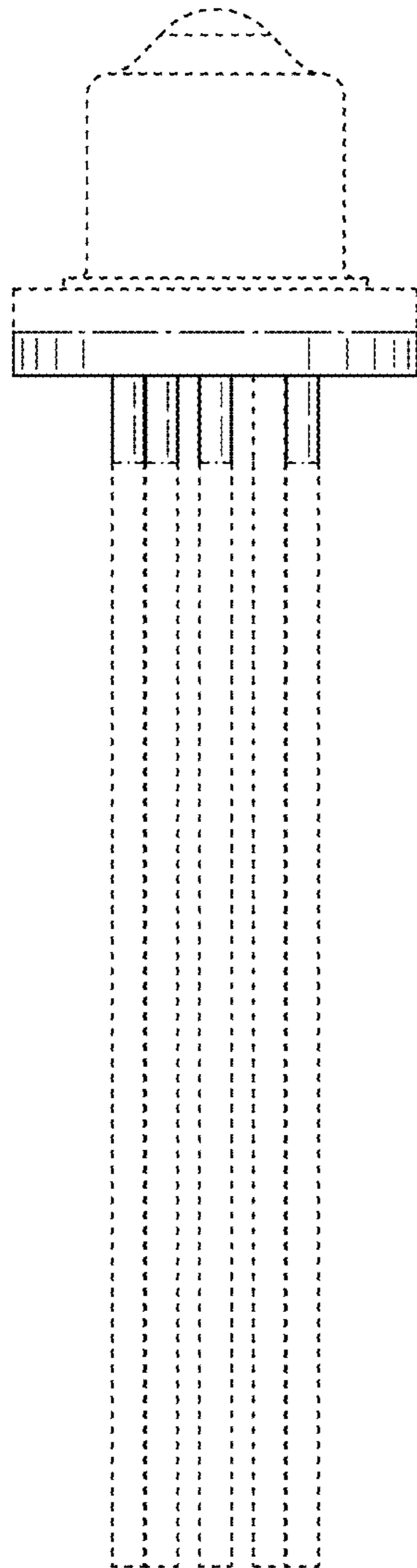


Fig. 5

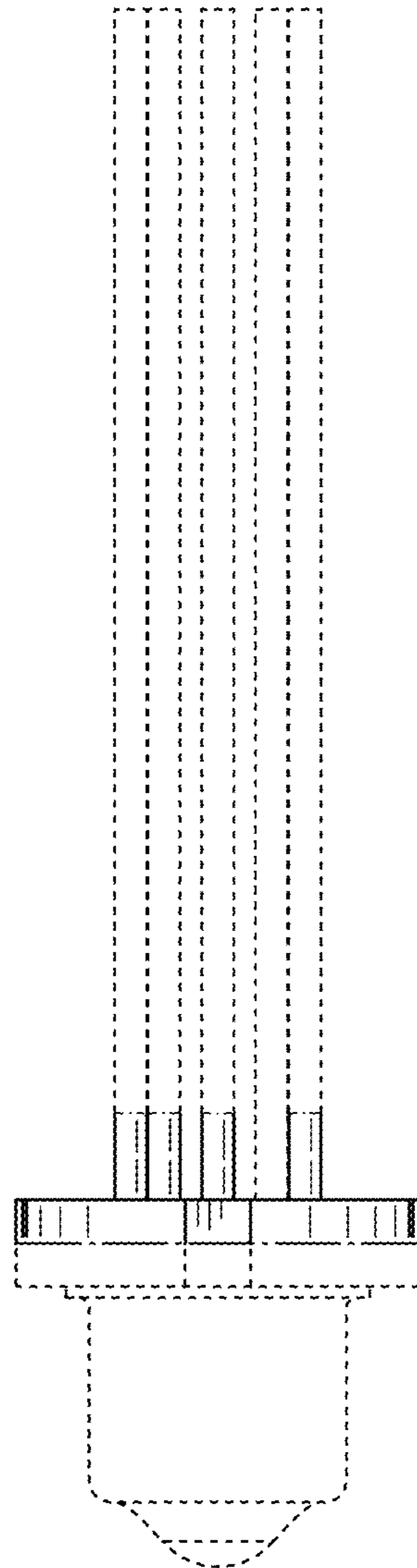


Fig. 6

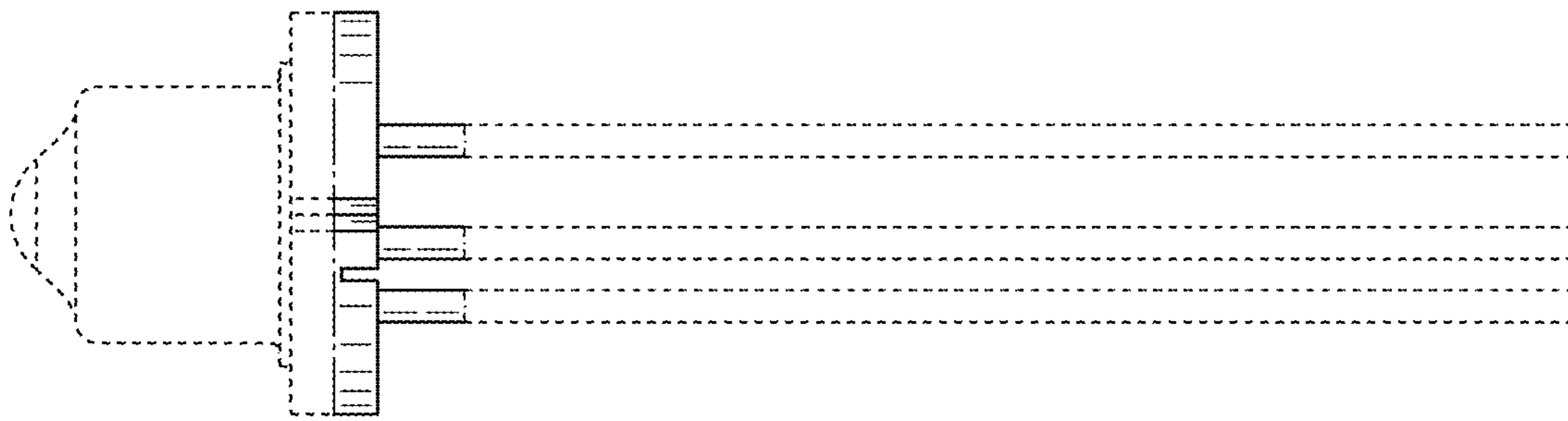


Fig. 7

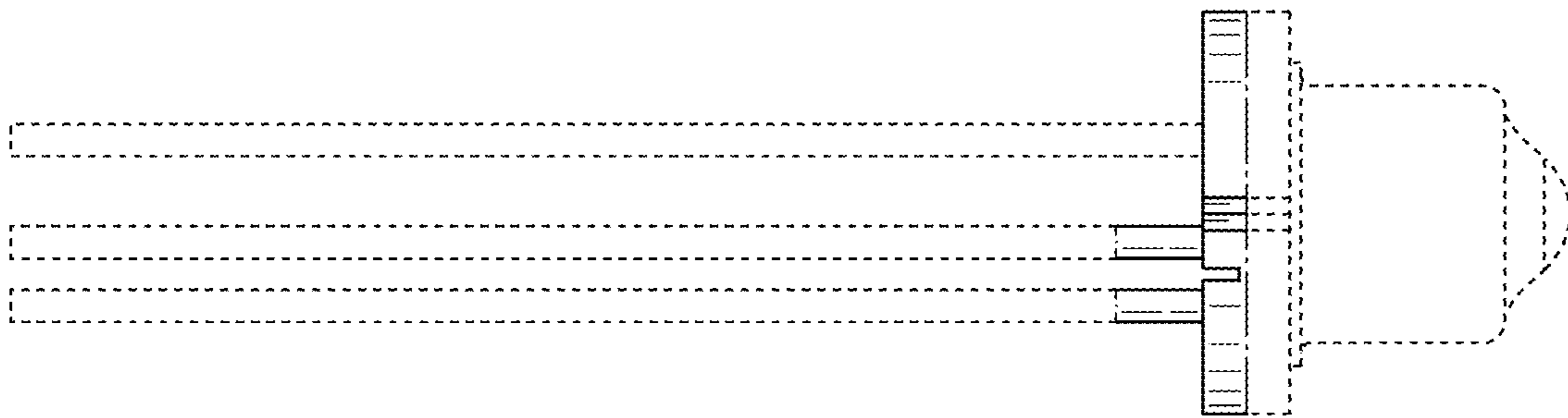


Fig. 8

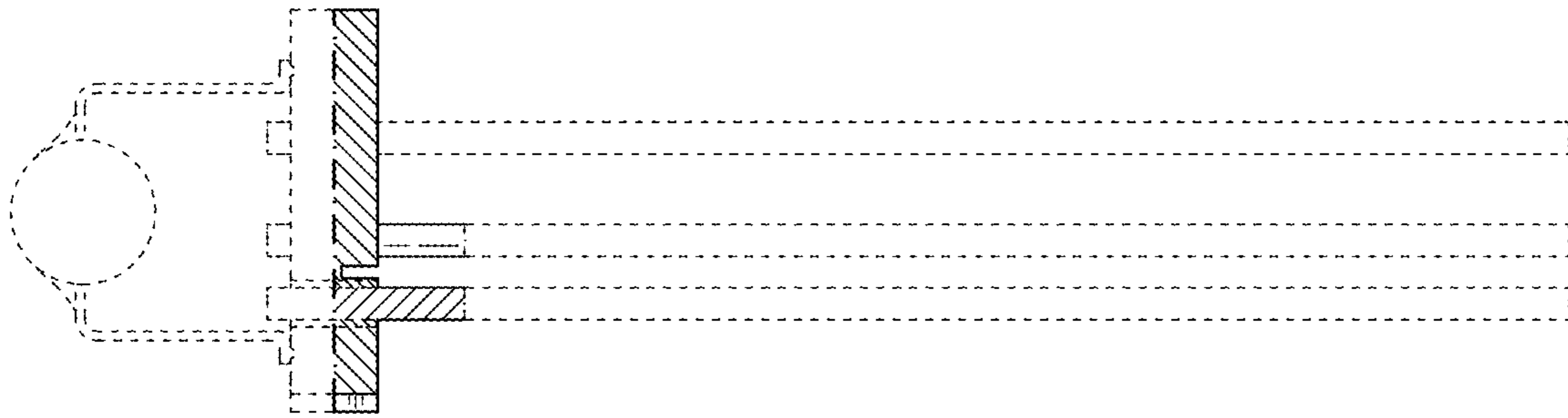


Fig. 9

