



US00D909317S

(12) **United States Design Patent** (10) **Patent No.:** **US D909,317 S**
Itakura et al. (45) **Date of Patent:** **** Feb. 2, 2021**

(54) **SEMICONDUCTOR PACKAGE**

(71) Applicant: **Mitsubishi Electric Corporation,**
Tokyo (JP)

(72) Inventors: **Hiroshi Itakura,** Tokyo (JP); **Keitaro Yamagishi,** Tokyo (JP); **Yoshihiro Akeboshi,** Tokyo (JP)

(73) Assignee: **Mitsubishi Electric Corporation,**
Tokyo (JP)

(**) Term: **15 Years**

(21) Appl. No.: **29/709,609**

(22) Filed: **Oct. 16, 2019**

Related U.S. Application Data

(62) Division of application No. 29/614,124, filed on Aug. 16, 2017, now Pat. No. Des. 877,707.

(30) **Foreign Application Priority Data**

Mar. 30, 2017 (JP) 2017-006616
Mar. 30, 2017 (JP) 2017-006617
Mar. 30, 2017 (JP) 2017-006618
Mar. 30, 2017 (JP) 2017-006619
Mar. 30, 2017 (JP) 2017-006620

(51) **LOC (13) Cl.** **13-03**

(52) **U.S. Cl.**
USPC **D13/182**

(58) **Field of Classification Search**

USPC D13/182; 257/678, 684, 690, 691;
361/679.01, 713, 728, 736, 760, 761, 772,
361/775, 783, 820; 174/250, 253;
438/15, 25, 26, 51, 55, 63, 64, 106
CPC . H01L 21/00; H01L 2224/42; H01L 2224/43;
H01L 2021/00; H01L 2021/02; H01L
2021/04; H01L 21/4814; H01L 21/4846;
H01L 21/4871; H01L 21/67144; H01L
21/02; H01L 23/13; H01L 23/14; H01L

23/147; H01L 2924/171; H01L
2924/1711; H01L 2924/1715; H01L
2924/17151; H01L 2924/181; H01L
(Continued)

(56) **References Cited**

U.S. PATENT DOCUMENTS

2,498,585 A * 2/1950 Seiden H03H 9/1028
310/355
2,817,046 A * 12/1957 Weiss H01L 23/041
257/794

(Continued)

Primary Examiner — Elizabeth J Oswecki

(74) *Attorney, Agent, or Firm* — Studebaker & Brackett
PC

(57) **CLAIM**

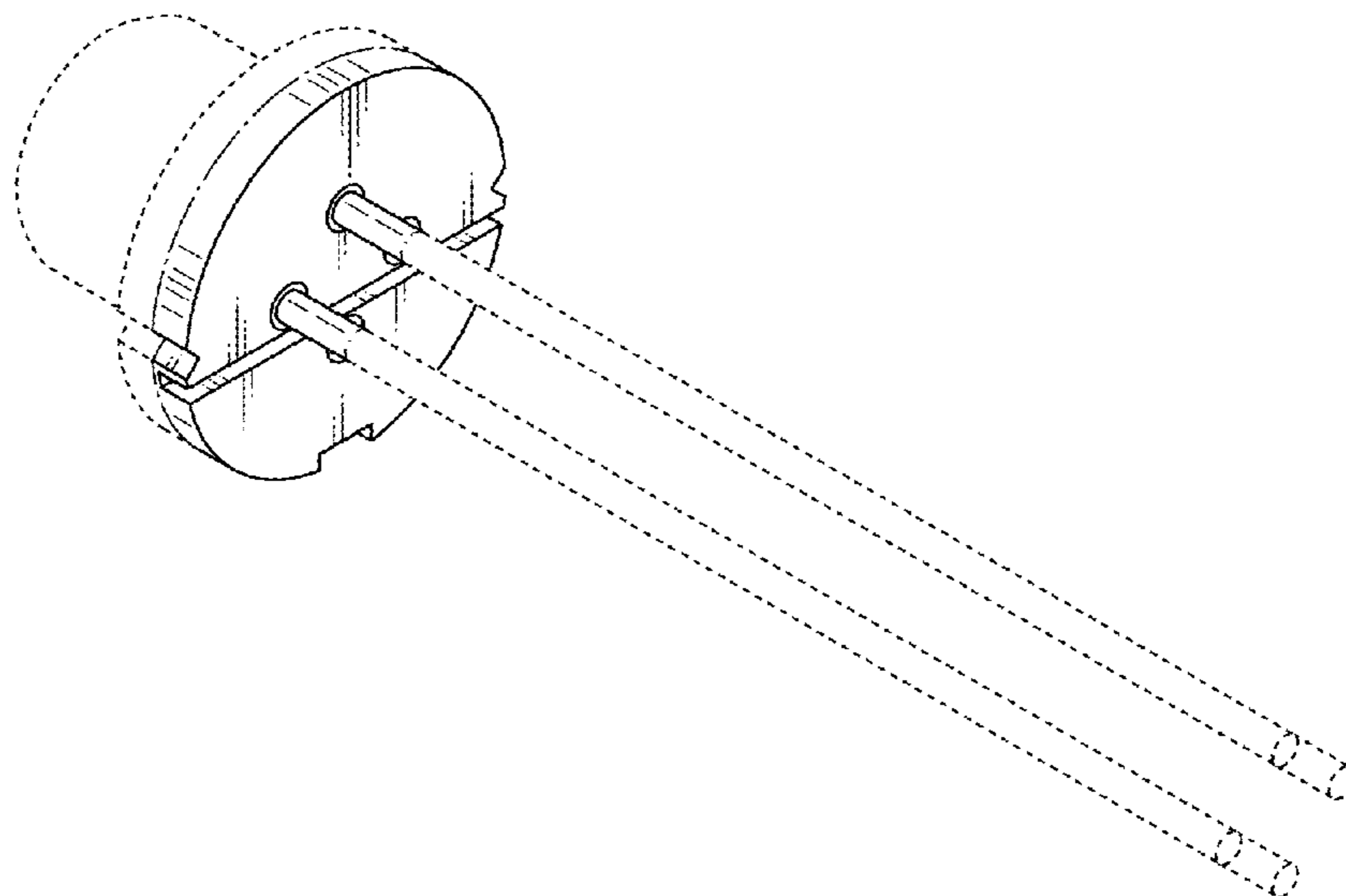
The ornamental design for a semiconductor package, as shown and described.

DESCRIPTION

FIG. 1 is a front, top and left side perspective view of a semiconductor package showing our new design; FIG. 2 is a front view thereof; FIG. 3 is a rear view thereof; FIG. 4 is a top view thereof; FIG. 5 is a bottom view thereof; FIG. 6 is a left side view thereof; the right side view being a mirror image thereof; FIG. 7 is a cross-sectional view taken along line 7-7 in FIG. 2, with the internal structure shown in broken lines; and, FIG. 8 is a perspective view of FIG. 1, shown in a state of use.

The parts shown in even dashed broken lines do not form part of the claimed design. The dot and dashed lines mean a boundary between the claimed portion and the non-claimed portion and form no part of the claimed design.

1 Claim, 5 Drawing Sheets



(58) **Field of Classification Search**

CPC 2924/1811; H01L 2924/1815; H01L
2924/19042; H01L 2924/1905; H01L
2224/08054; H01L 23/58; H01L 23/02;
H05B 41/14; H02B 6/4201; G02B
6/4256; G02B 6/4257; G02B 6/4261;
G02B 6/4262; G02B 6/428; G02B
6/4281; H05K 1/14; H05K 1/141; H05K
1/142; H05K 1/144; H05K 1/18; H05K
1/181; H05K 1/182; H05K 1/026

See application file for complete search history.

(56) **References Cited**

U.S. PATENT DOCUMENTS

2,986,678 A * 5/1961 Andres H01L 23/488
257/708
3,458,779 A 7/1969 Blank et al.
3,510,732 A * 5/1970 Amans H01L 29/242
257/77
3,562,609 A * 2/1971 Addamiano H01L 23/045
257/77
3,614,550 A * 10/1971 Marinace H01S 5/30
372/44.01
3,715,636 A * 2/1973 Jaffe H01L 33/343
257/76
3,774,086 A * 11/1973 Vincent, Jr. F21K 2/005
257/95
3,805,347 A * 4/1974 Collins H01L 33/58
445/24
3,962,719 A * 6/1976 Pfaff H05K 7/1053
257/678
4,032,963 A * 6/1977 Thorne H01L 33/483
257/100
4,143,394 A * 3/1979 Schoberl H01L 33/56
257/98
4,152,624 A * 5/1979 Knaebel H01L 33/483
257/434
4,267,559 A 5/1981 Johnson et al.
D277,955 S 3/1985 Takahashi
D278,048 S 3/1985 Takahashi

D278,049 S 3/1985 Takahashi et al.
D280,812 S 10/1985 Takahashi
D288,805 S * 3/1987 Nishizawa D13/180
4,878,107 A * 10/1989 Hopper H03K 17/941
257/415
5,266,817 A 11/1993 Lin
5,459,350 A 10/1995 Date et al.
5,512,784 A 4/1996 Fried et al.
5,564,819 A 10/1996 Yamaguchi
D420,983 S 2/2000 Choi
6,034,424 A * 3/2000 Fujimura G02B 6/4204
257/696
6,147,367 A 11/2000 Yang et al.
6,335,548 B1 * 1/2002 Roberts H01L 23/49562
257/98
6,404,065 B1 6/2002 Choi
6,521,916 B2 * 2/2003 Roberts B60Q 1/2665
257/100
D476,296 S 6/2003 Koizumi
D482,666 S 11/2003 Kamada
D483,338 S * 12/2003 Takagi D13/182
D484,105 S * 12/2003 Takagi D13/182
6,707,073 B1 * 3/2004 Yamamoto H01S 5/02212
257/100
D489,695 S 5/2004 Komoto
D494,147 S * 8/2004 Takagi D13/182
6,784,464 B2 * 8/2004 Ichikawa H01L 24/78
257/99
6,803,608 B1 * 10/2004 Chen H01L 33/54
257/81
D505,664 S * 5/2005 Takagi D13/182
D515,520 S 2/2006 Komoto
D623,546 S 9/2010 Nishikawa et al.
D623,547 S 9/2010 Nishikawa et al.
D623,548 S 9/2010 Nishikawa et al.
7,834,433 B2 * 11/2010 Xiaochun H01L 24/83
257/675
7,889,770 B2 * 2/2011 Honda H01S 5/02212
372/34
D877,707 S * 3/2020 Itakura D13/182
2008/0111087 A1 * 5/2008 Nishikawa G01J 1/02
250/492.1

* cited by examiner

Fig. 1

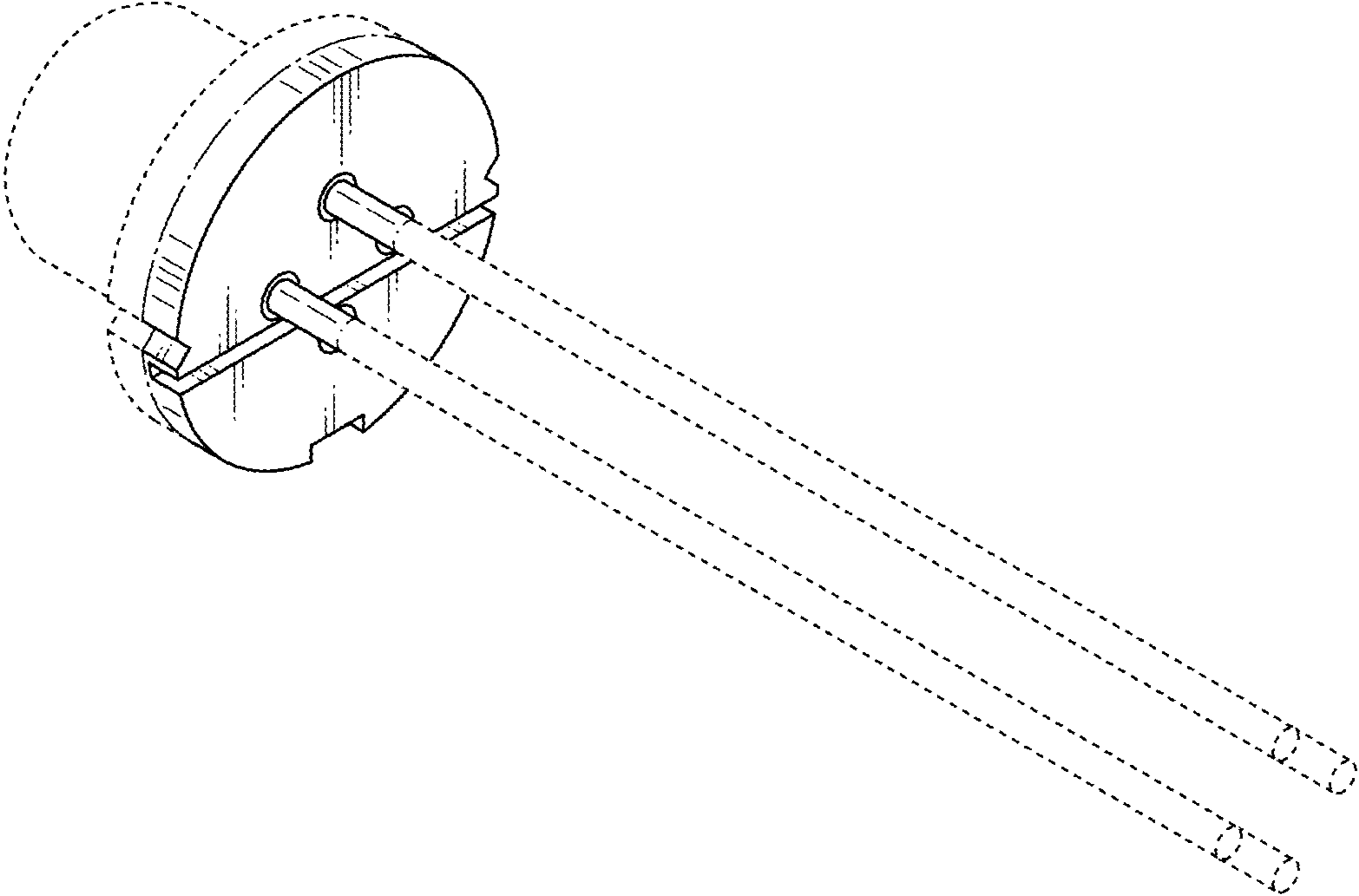


Fig. 2

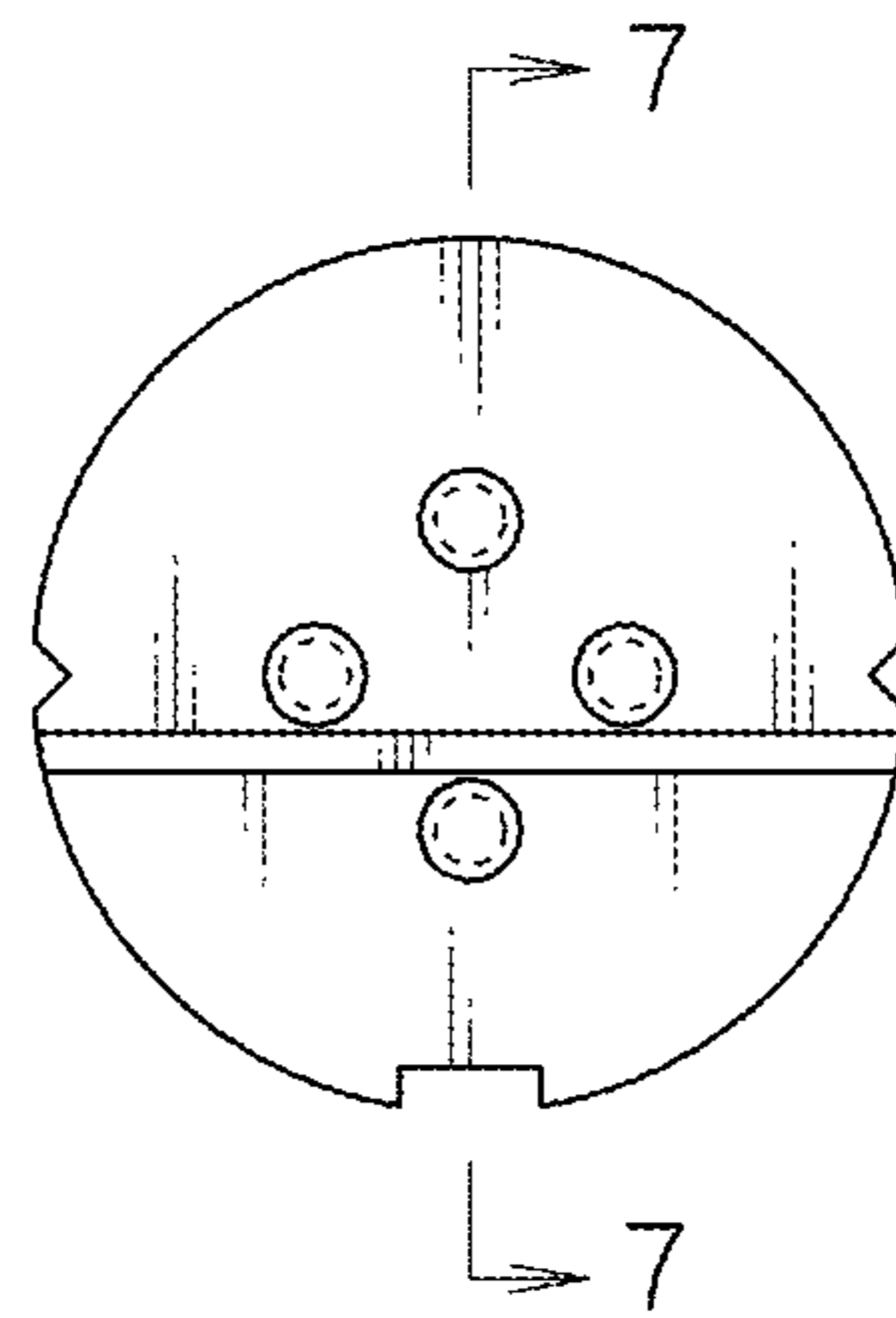


Fig. 3

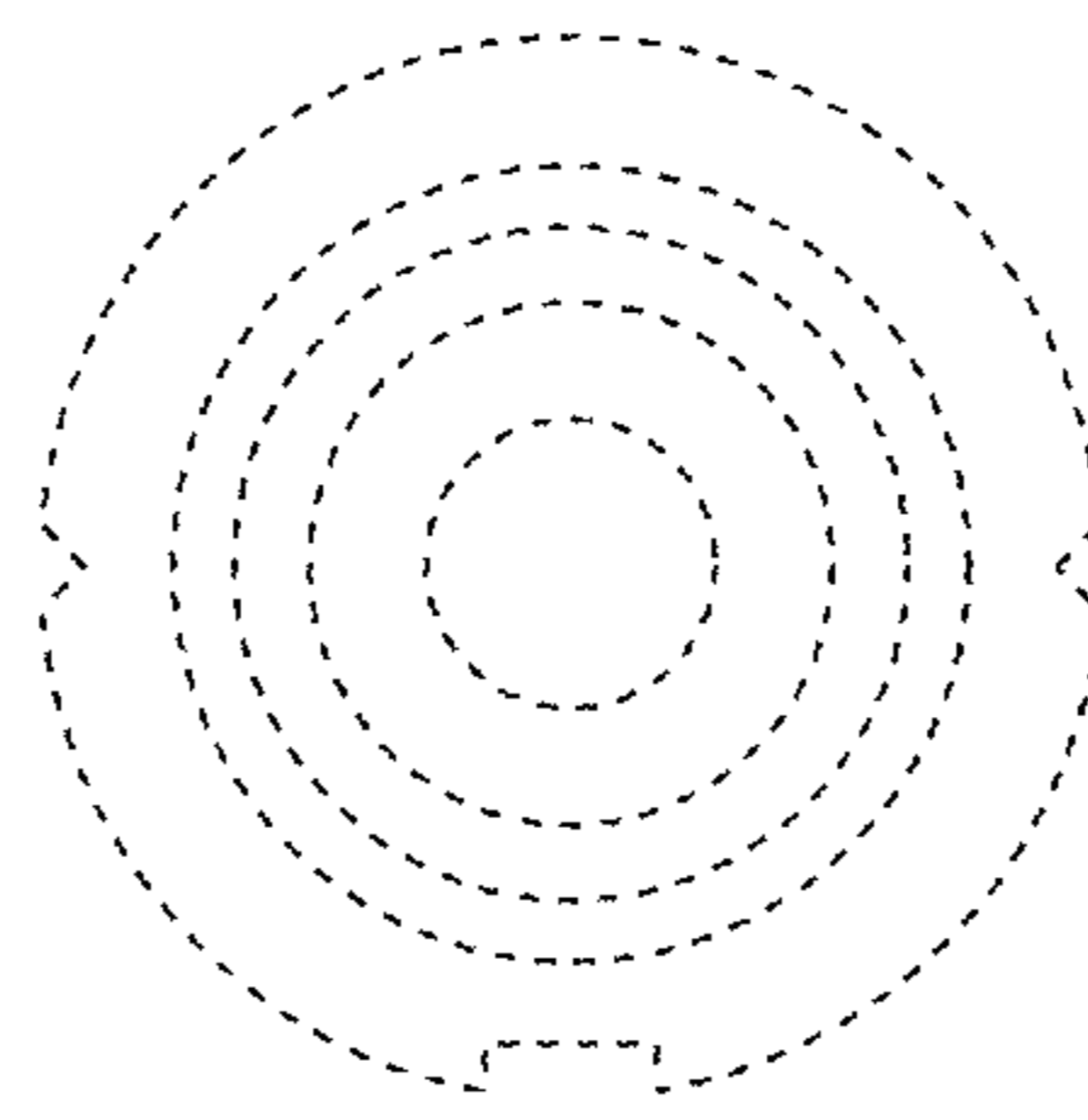


Fig. 4

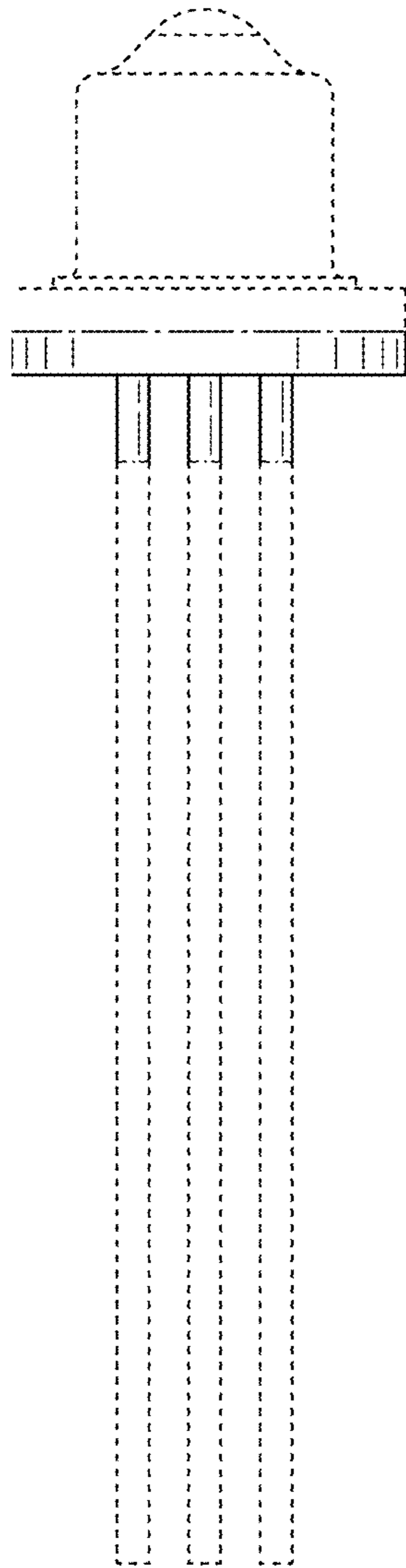


Fig. 5

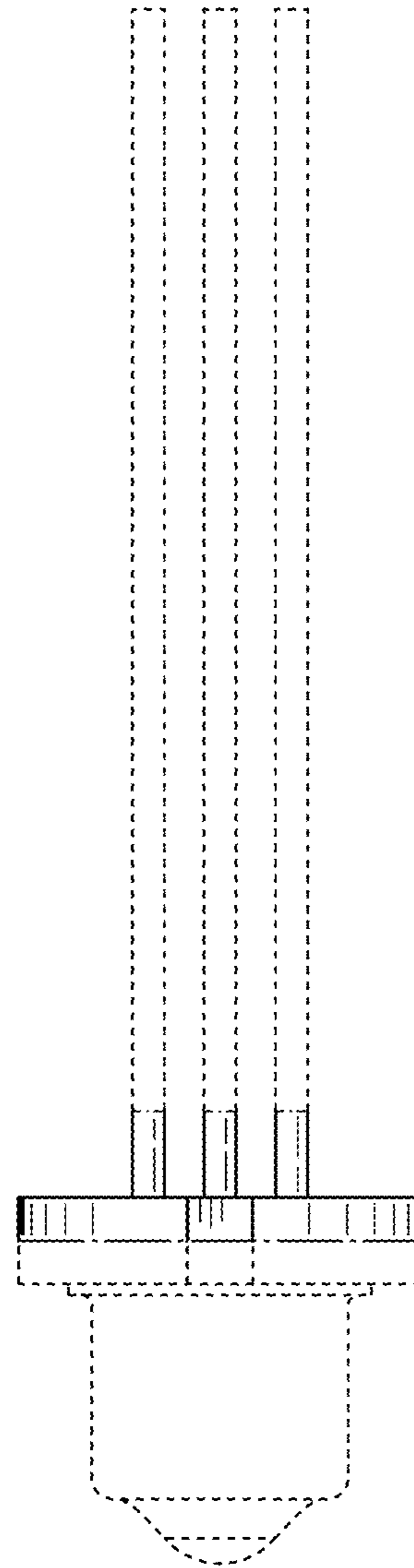


Fig. 6

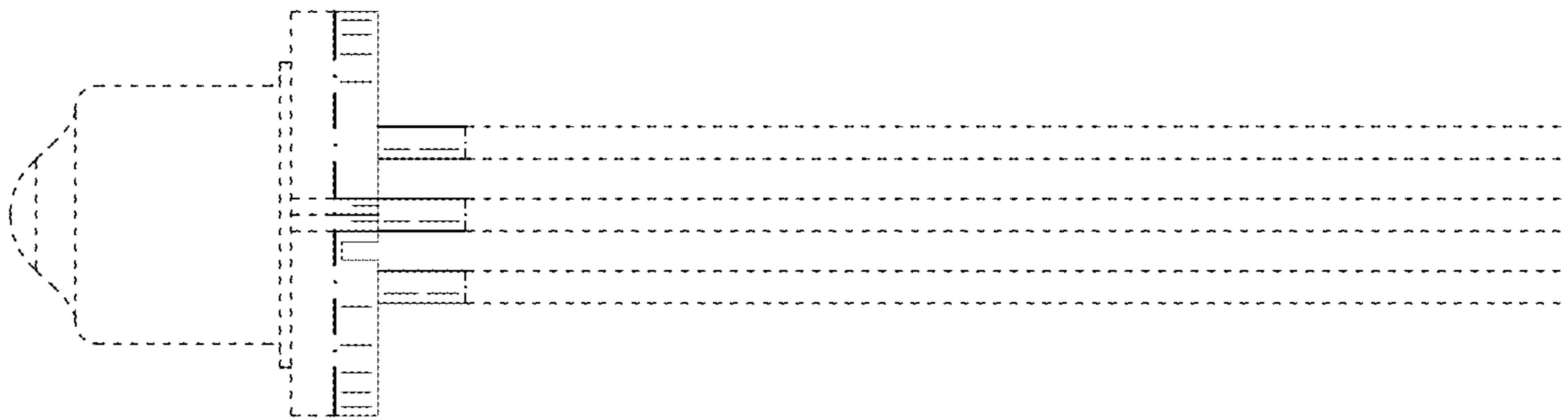


Fig. 7

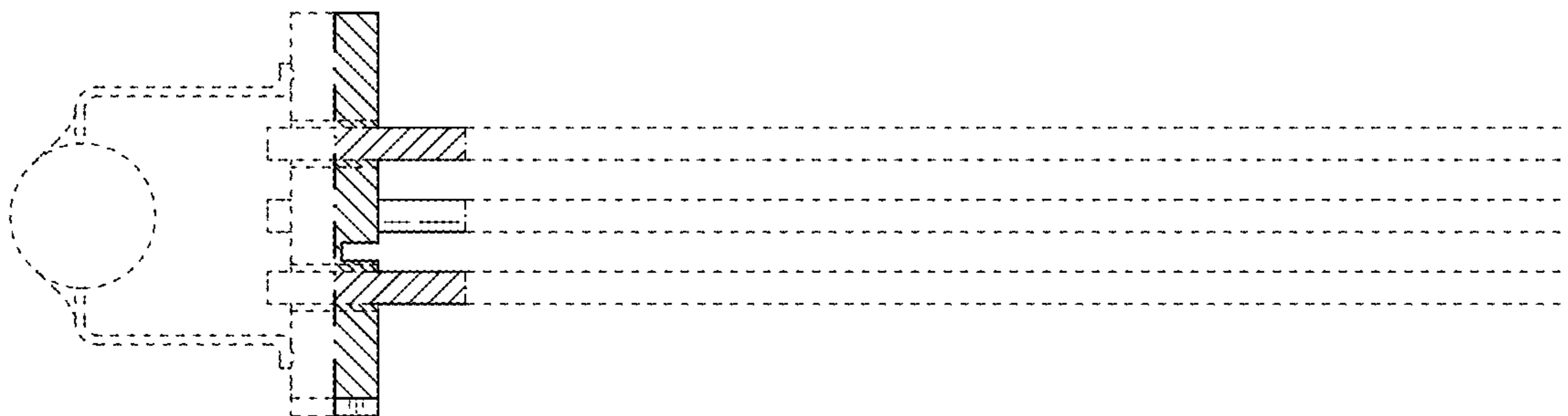


Fig. 8

