



US00D909315S

(12) **United States Design Patent** (10) **Patent No.:** **US D909,315 S**
Beilfuss et al. (45) **Date of Patent:** **** Feb. 2, 2021**

(54) **REMOTE CONTROL DEVICE FOR MOTION FURNITURE**

(71) Applicant: **La-Z-Boy Incorporated**, Monroe, MI (US)

(72) Inventors: **Robert C. Beilfuss**, Spring City, TN (US); **Robert B. Womack**, Chattanooga, TN (US); **Leslie A. Salenbien**, Monroe, MI (US); **Jaime A. McPherson**, Signal Mountain, TN (US); **Charles D. Rader**, Dayton, TN (US); **Jason M. Baker**, Ooltewah, TN (US); **Stephen Jones**, Sandy Springs, GA (US); **Maureen Carroll**, Atlanta, GA (US)

(73) Assignee: **La-Z-Boy Incorporated**, Monroe, MI (US)

(**) Term: **15 Years**

(21) Appl. No.: **29/685,895**

(22) Filed: **Apr. 1, 2019**

(51) **LOC (13) Cl.** **14-03**

(52) **U.S. Cl.**
USPC **D13/168**

(58) **Field of Classification Search**
USPC D13/162, 169, 171, 174

(Continued)

(56) **References Cited**

U.S. PATENT DOCUMENTS

4,285,543 A 8/1981 Clark
5,628,546 A 5/1997 Boetzkes
(Continued)

FOREIGN PATENT DOCUMENTS

KR 20110137142 A 12/2011
KR 20170097917 A 8/2017
WO WO-2010080178 A2 7/2010

OTHER PUBLICATIONS

International Search Report for Application No. PCT/US2020/026007, dated Jul. 9, 2020.

(Continued)

Primary Examiner — Selina Sikder

(74) *Attorney, Agent, or Firm* — Harness, Dickey & Pierce, P.L.C.

(57) **CLAIM**

The ornamental design for a remote control device for motion furniture, as shown and described.

DESCRIPTION

FIG. 1 is a front perspective view of a remote control device for motion furniture according to a first embodiment of our design;

FIG. 2 is a front planar view thereof;

FIG. 3 is a right side view thereof;

FIG. 4 is a rear view thereof;

FIG. 5 is a left side view thereof;

FIG. 6 is a top view thereof;

FIG. 7 is a bottom view thereof;

FIG. 8 is a front perspective view of a remote control device for motion furniture according to a second embodiment of our design;

FIG. 9 is a front planar view thereof;

FIG. 10 is a right side view thereof;

FIG. 11 is a rear view thereof;

FIG. 12 is a left side view thereof;

FIG. 13 is a top view thereof;

FIG. 14 is a bottom view thereof;

FIG. 15 is a front perspective view of a remote control device for motion furniture according to a third embodiment of our design;

FIG. 16 is a front planar view thereof;

FIG. 17 is a right side view thereof;

FIG. 18 is a rear view thereof;

FIG. 19 is a left side view thereof;

FIG. 20 is a top view thereof;

FIG. 21 is a bottom view thereof;

(Continued)

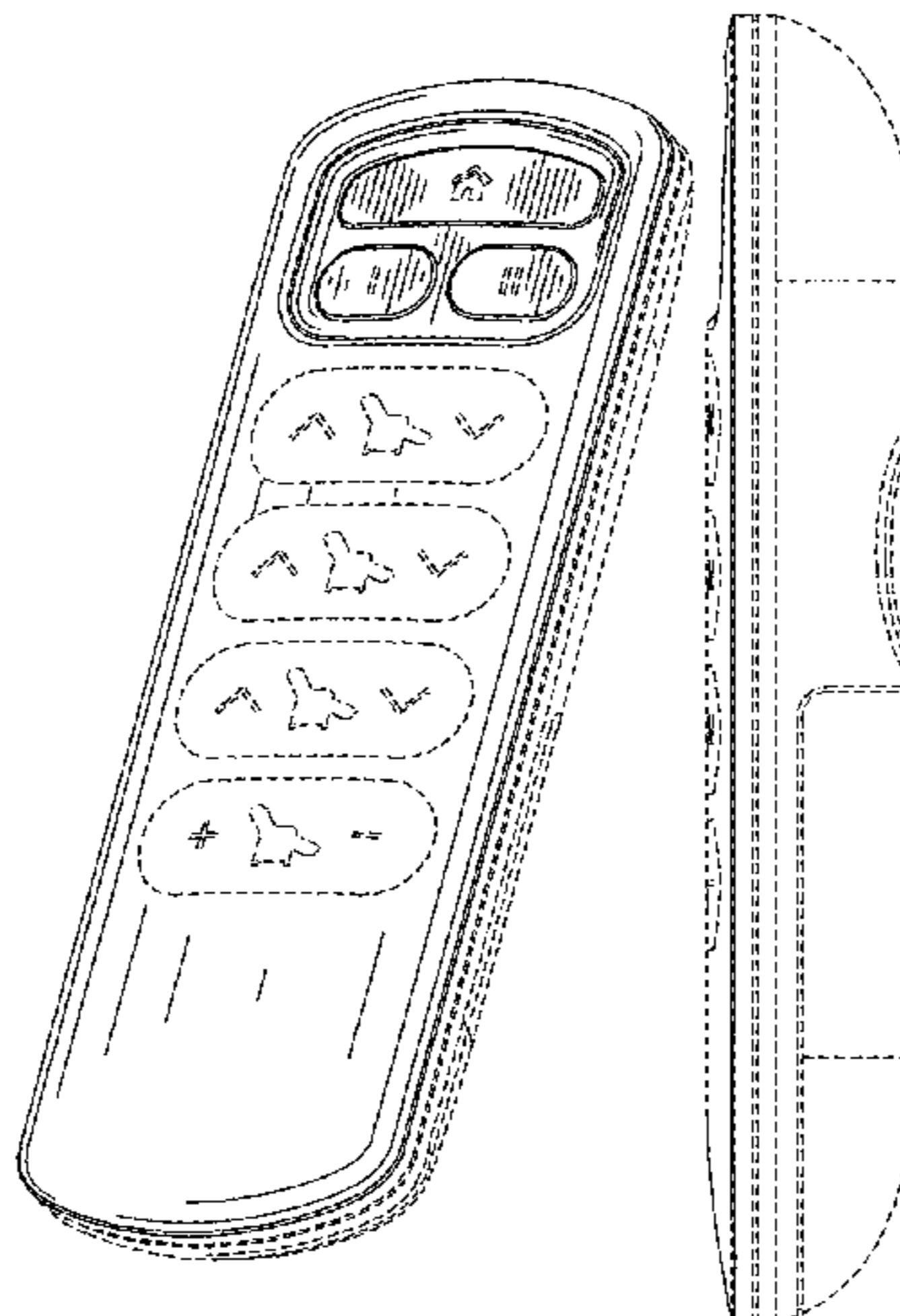


FIG. 22 is a front perspective view of a remote control device for motion furniture according to a fourth embodiment of our design;

FIG. 23 is a front planar view thereof;

FIG. 24 is a right side view thereof;

FIG. 25 is a rear view thereof;

FIG. 26 is a left side view thereof;

FIG. 27 is a top view thereof; and,

FIG. 28 is a bottom view thereof.

The broken lines show features of the remote control device that form no part of the claimed designs of FIGS. 1-28.

1 Claim, 8 Drawing Sheets

(58) Field of Classification Search

CPC H01H 3/02; H01H 3/022; H01H 3/12; H01H 3/122; H01H 9/02; H01H 9/0235; H01H 13/023; H01H 13/04; H01H 13/06; H01H 13/063; H01H 13/10; H01H 13/12; H01H 13/14; H01H 13/36; H01H 13/70; H01H 13/86; H01H 21/24; H01H 25/065; H01H 23/02; H01H 23/025; H01H 23/04; H01H 23/08; A47C 7/506; A47C 1/0345; A47C 1/035

See application file for complete search history.

(56) References Cited

U.S. PATENT DOCUMENTS

5,864,105	A	1/1999	Andrews	
5,926,002	A *	7/1999	Cavanaugh	A47C 31/008 297/284.3
6,008,598	A	12/1999	Luff et al.	
D443,596	S *	6/2001	Ohkuma	D13/168
6,320,341	B1	11/2001	Oka et al.	
6,492,786	B1	12/2002	Vang et al.	
6,688,699	B1	2/2004	Bowie	
6,794,841	B1	9/2004	Vang et al.	
7,393,053	B2	7/2008	Kurrasch et al.	
D595,667	S *	7/2009	Lasky	D13/168
D595,668	S *	7/2009	Lasky	D13/168
D611,914	S *	3/2010	Chiang	D13/164
D617,744	S *	6/2010	Landerholm	D13/168
8,106,325	B2 *	1/2012	Laurent	H01H 13/70 200/600
8,376,440	B2	2/2013	Kramer	
D689,825	S *	9/2013	Wenji	D13/162
8,754,344	B2 *	6/2014	Chiba	H01H 23/145 200/556
8,781,691	B2	7/2014	Maeda et al.	
9,131,783	B2	9/2015	Chacon et al.	
D740,763	S *	10/2015	Wenji	D13/162
9,214,307	B2	12/2015	Koch et al.	
9,236,822	B2	1/2016	Hille et al.	

9,241,574	B2	1/2016	Koch	
9,252,692	B2	2/2016	Hille	
D758,975	S *	6/2016	Hunter	D13/162
9,412,262	B2	8/2016	Baker et al.	
D766,848	S *	9/2016	Gong	D13/168
9,655,458	B2	5/2017	Jacobs et al.	
9,715,822	B2	7/2017	Hille	
9,730,518	B1 *	8/2017	Jacobs	A47C 31/008
9,792,810	B2	10/2017	Hille et al.	
9,804,632	B2 *	10/2017	Gassner	G05G 1/02
9,833,083	B2	12/2017	Koch	
9,836,034	B2	12/2017	Hille et al.	
D813,179	S *	3/2018	Wu	D13/169
D828,309	S *	9/2018	Tang	D13/171
10,213,352	B2 *	2/2019	Hille	A47C 20/041
D875,110	S *	2/2020	Spors	D14/485
D875,693	S *	2/2020	Gassner	D13/171
D885,353	S *	5/2020	Li	D13/169
D897,968	S	10/2020	Beilfuss et al.	
D897,969	S	10/2020	Beilfuss et al.	
D897,970	S *	10/2020	Beilfuss	D13/162
2004/0004376	A1 *	1/2004	Cabebe	A47C 7/54 297/217.1
2010/0217164	A1	8/2010	Meyer et al.	
2011/0077561	A1	3/2011	Choly	
2011/0174926	A1	7/2011	Margis et al.	
2011/0198894	A1 *	8/2011	Hsieh	A47C 1/0242 297/68
2012/0105233	A1	5/2012	Bobey et al.	
2013/0169065	A1	7/2013	Koch et al.	
2014/0197666	A1	7/2014	Koch	
2014/0250594	A1	9/2014	Rawls-Meehan	
2014/0306505	A1 *	10/2014	Koch	A47C 1/0242 297/330
2014/0353134	A1 *	12/2014	Muller	H01H 3/20 200/5 A
2016/0135598	A1	5/2016	Andoloro et al.	
2017/0105540	A1	4/2017	Jacobs et al.	
2017/0245386	A1	8/2017	Park	
2017/0287657	A1 *	10/2017	Naka	H01H 13/14
2018/0184811	A1	7/2018	Nava et al.	
2018/0301918	A1	10/2018	Lupo et al.	
2018/0338625	A1	11/2018	Nava et al.	
2019/0374039	A1 *	12/2019	Hosokawa	A47C 20/041
2020/0178702	A1 *	6/2020	Shiino	G05B 15/02
2020/0214448	A1 *	7/2020	Jacobs	A47C 7/748
2020/0253379	A1 *	8/2020	Song	H03G 3/24
2020/0305256	A1 *	9/2020	Tachikawa	A61G 7/018
2020/0305609	A1	10/2020	Rains et al.	
2020/0315043	A1	10/2020	McPherson et al.	

OTHER PUBLICATIONS

Written Opinion of the International Searching Authority for Application No. PCT/US2020/026007, dated Jul. 9, 2020.
International Search Report for Application No. PCT/US2020/025987, dated Jul. 17, 2020.
Written Opinion of the International Searching Authority for Application No. PCT/US2020/025987, dated Jul. 17, 2020.

* cited by examiner

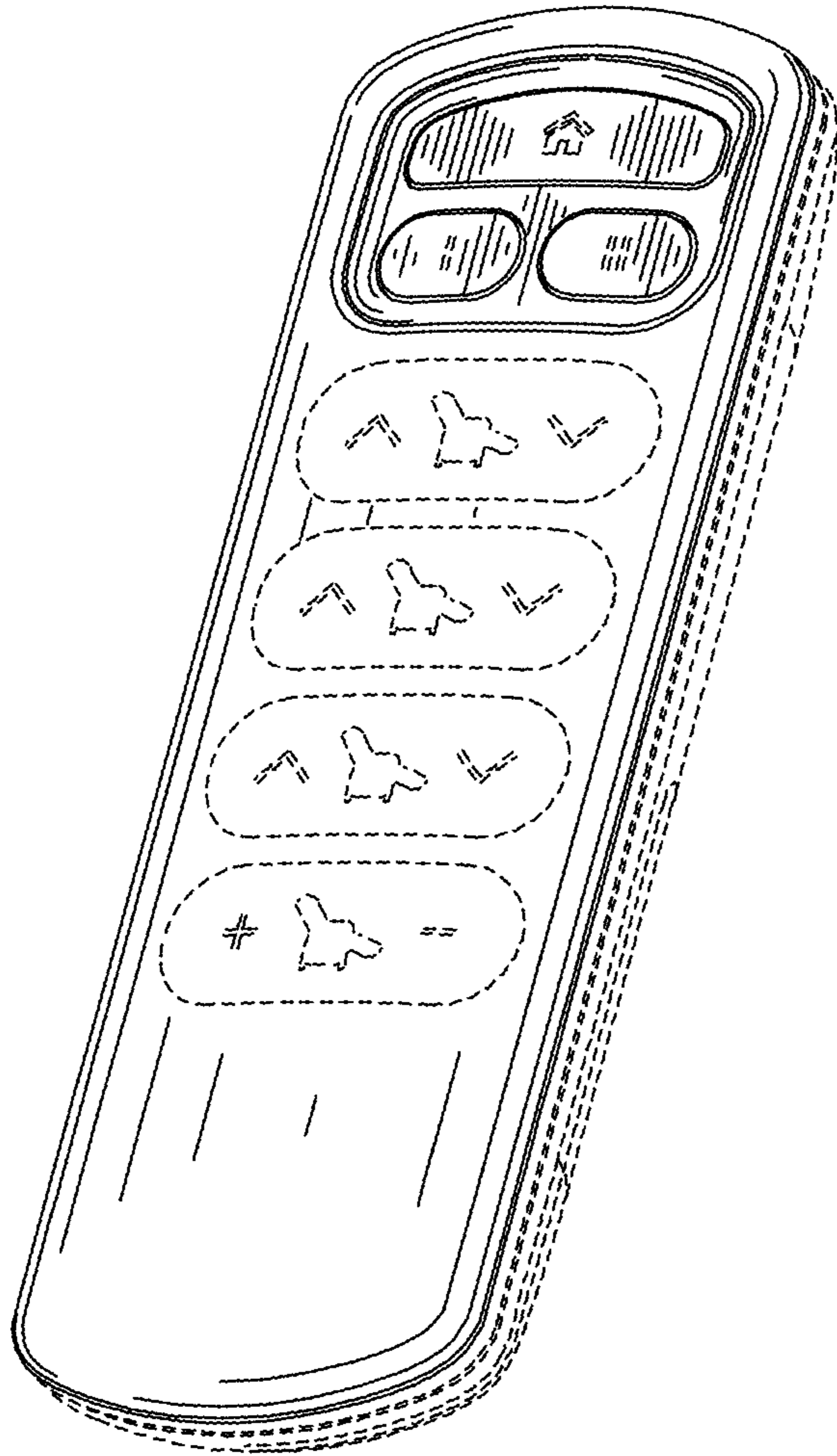


FIG. 1

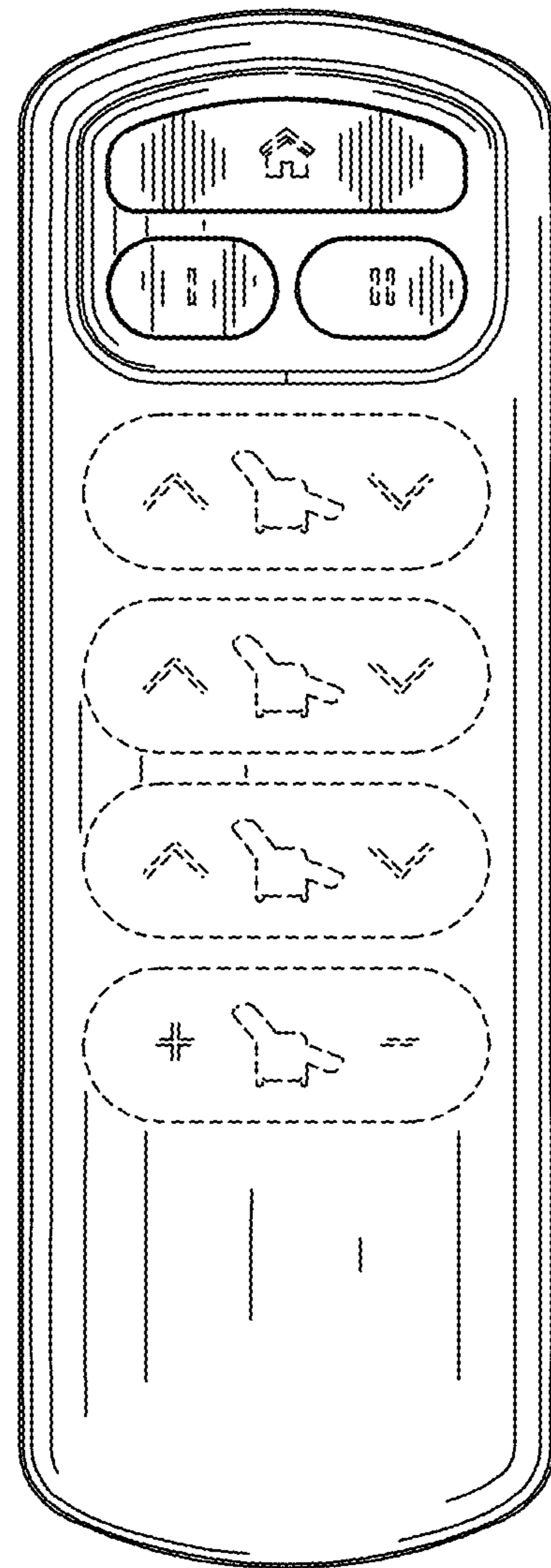


FIG. 2

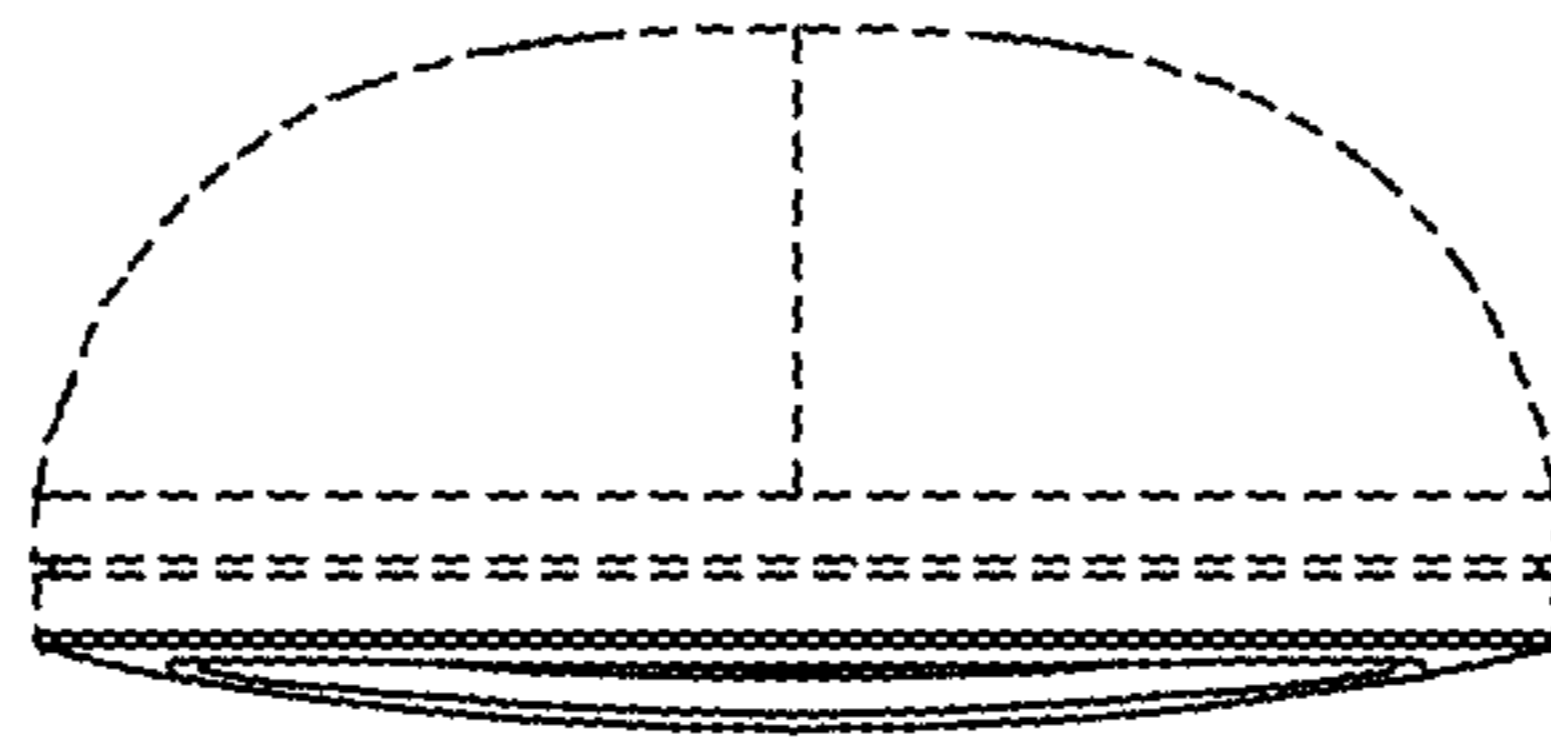


FIG. 6

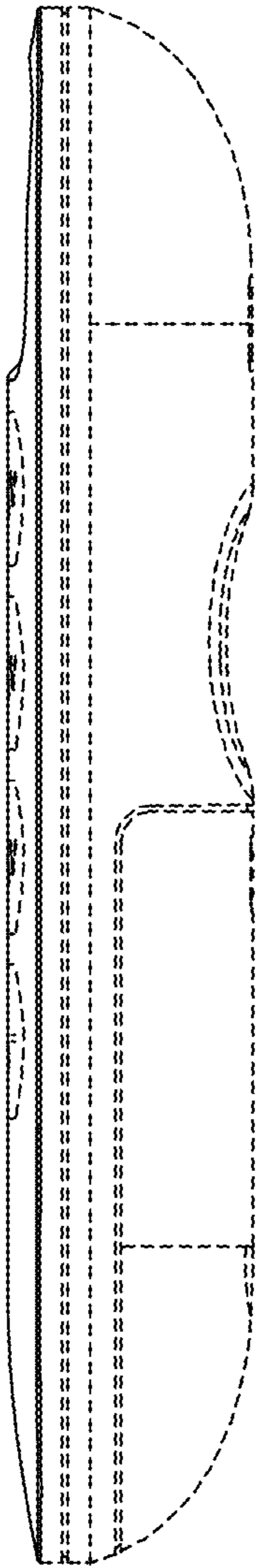


FIG. 3

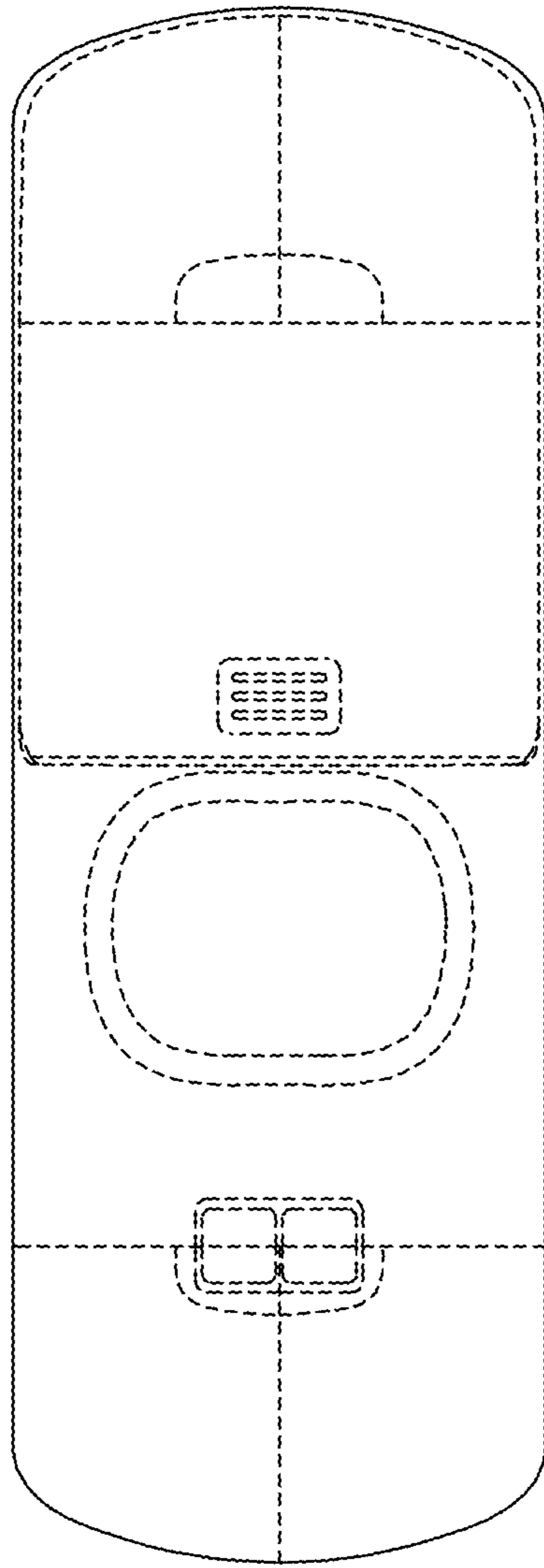


FIG. 4



FIG. 5

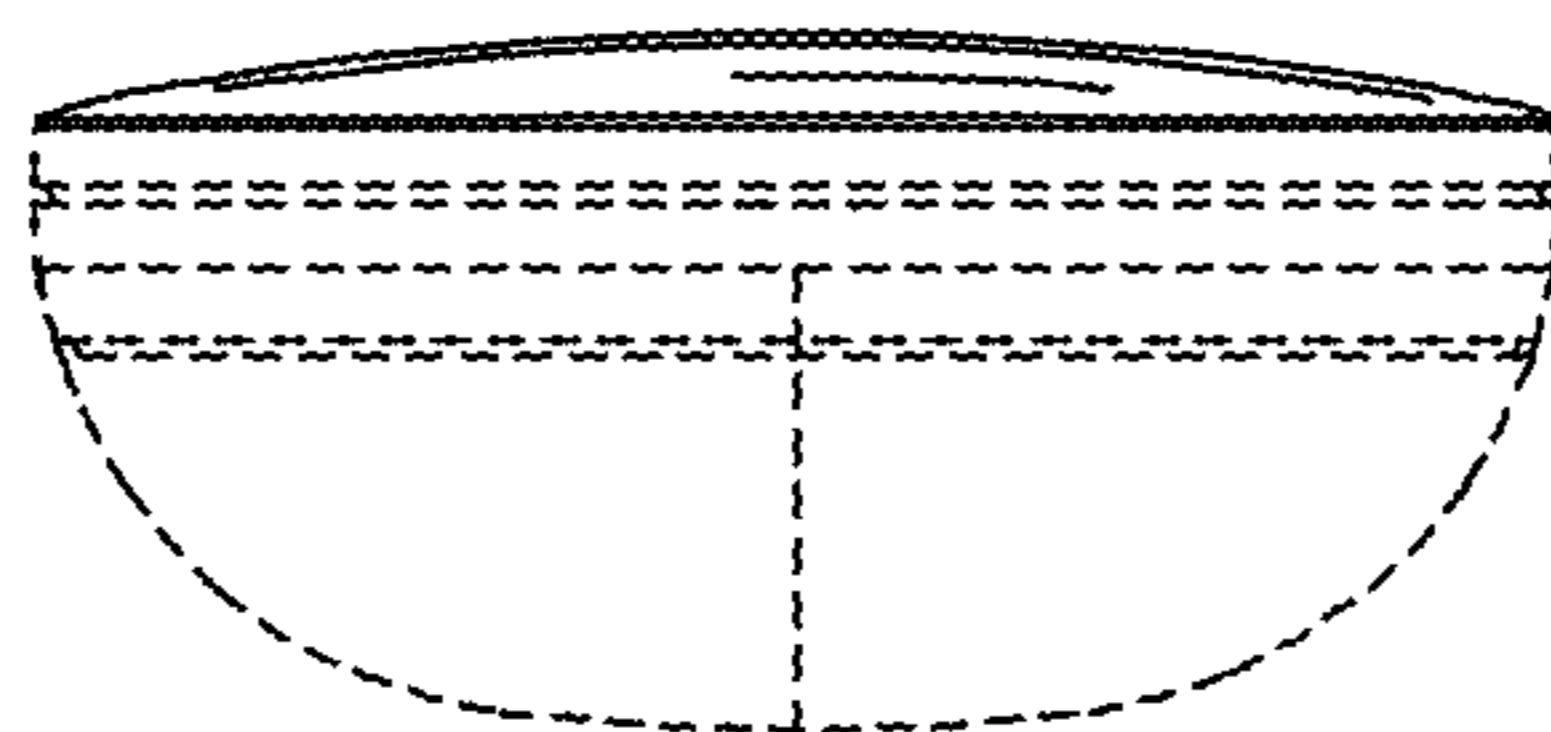


FIG. 7

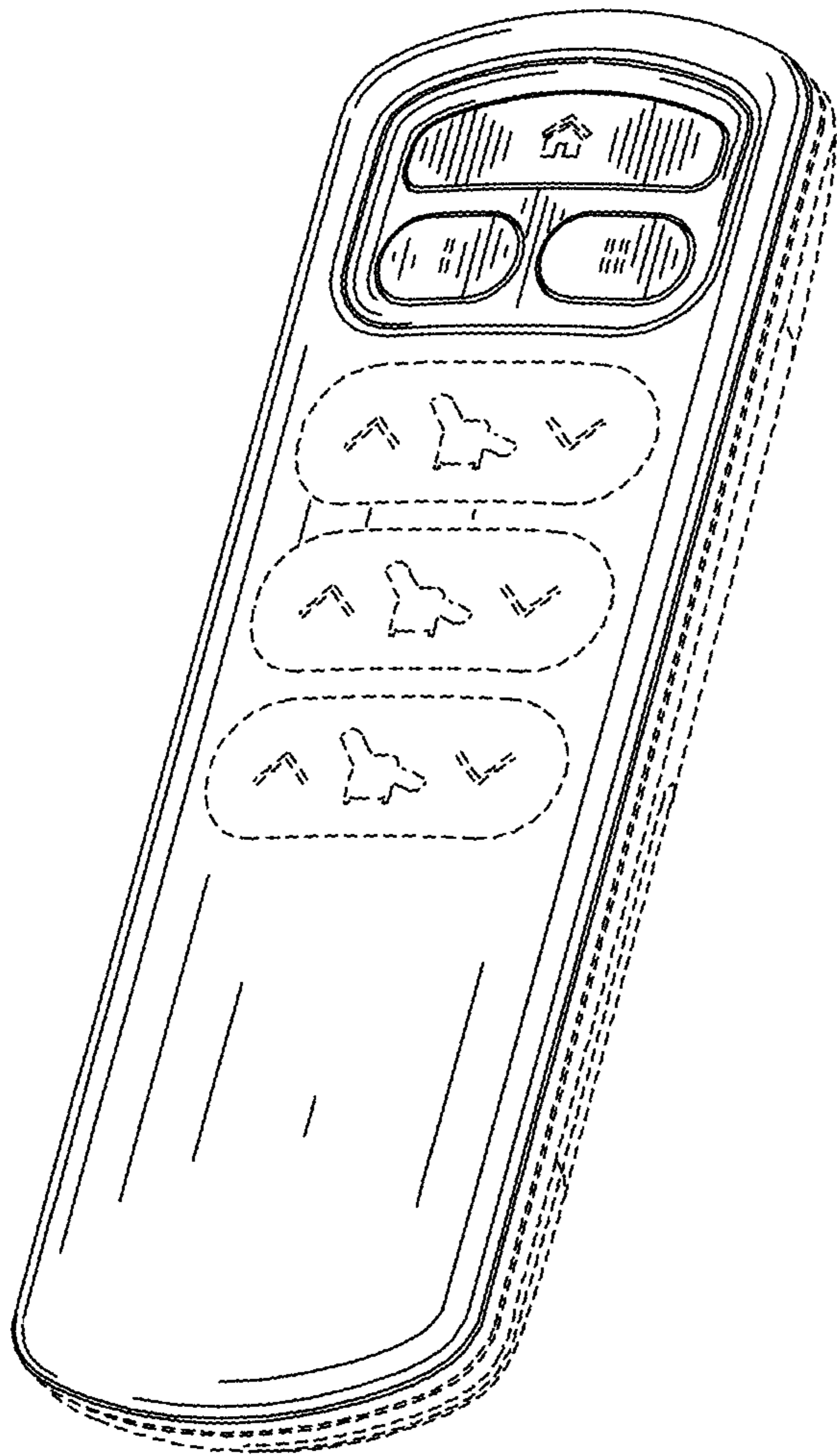


FIG. 8

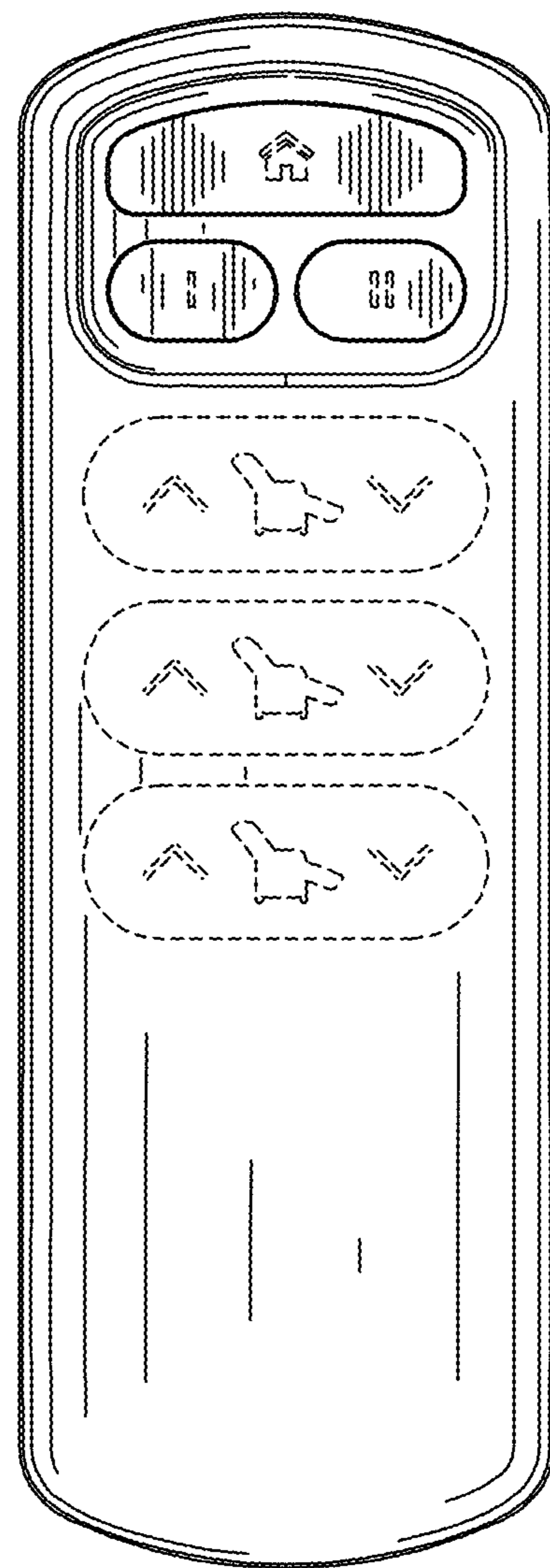


FIG. 9

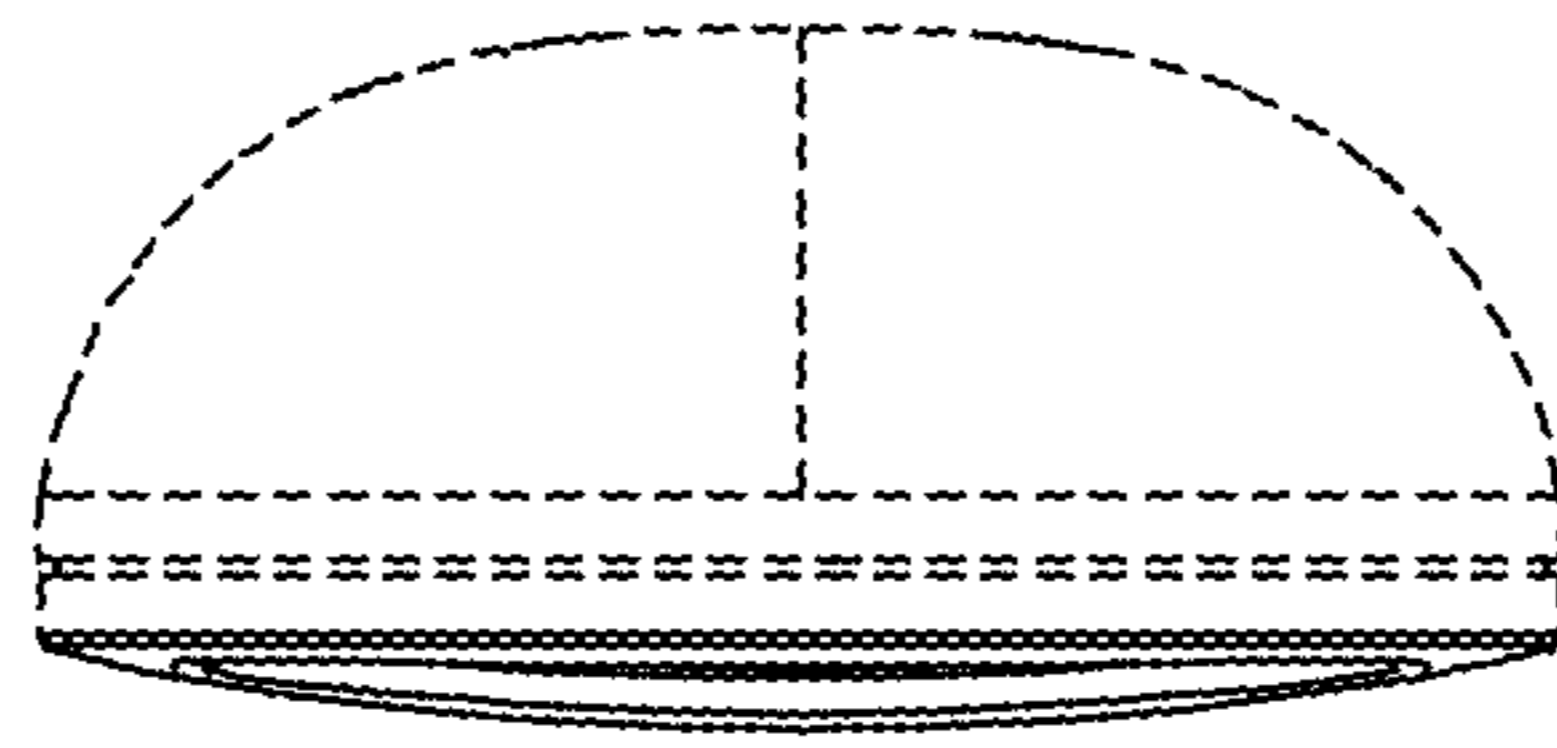


FIG. 13

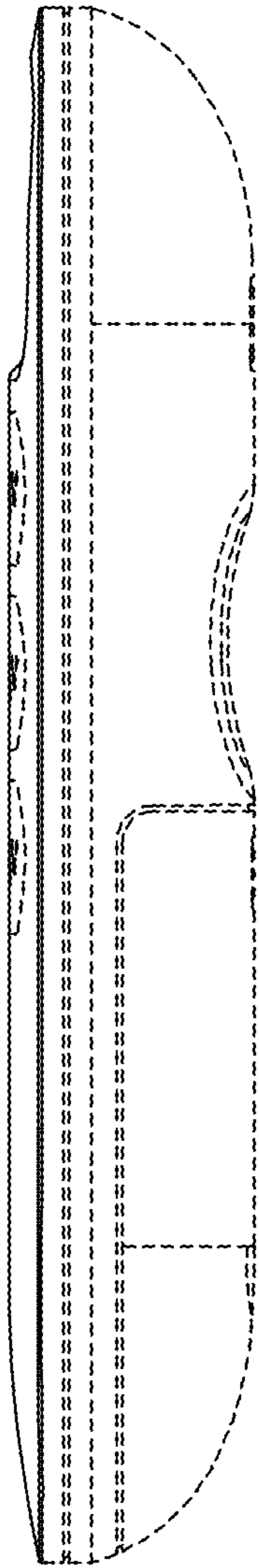


FIG. 10

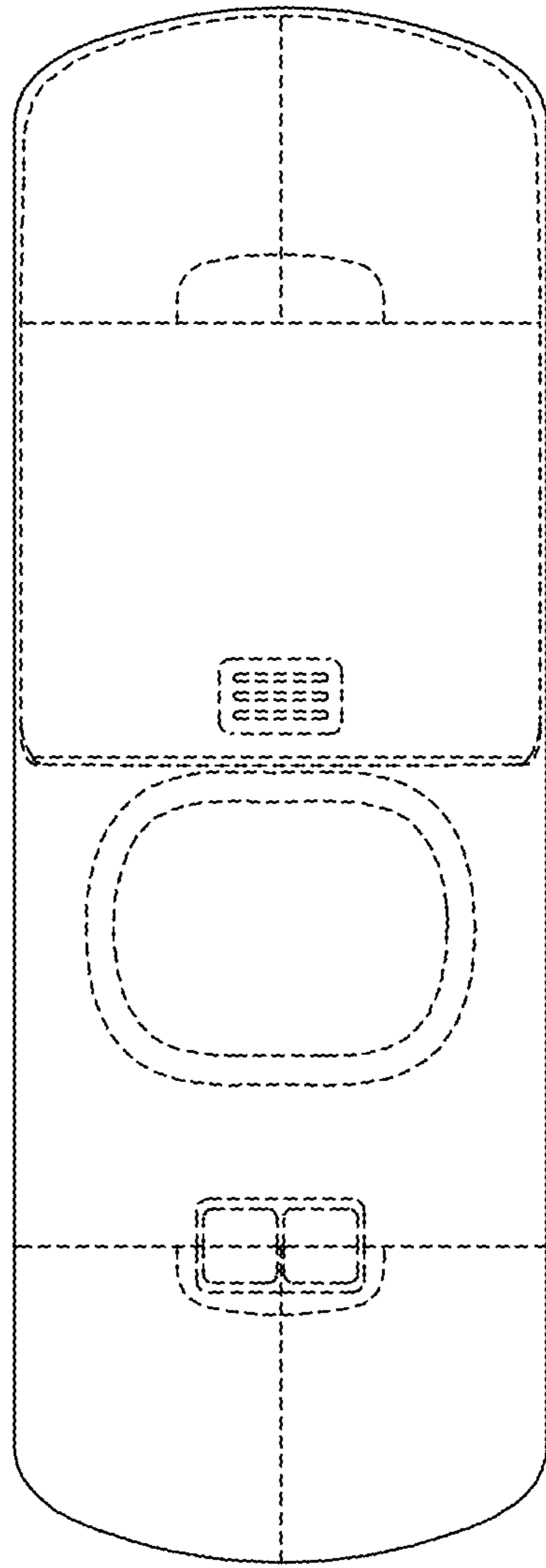


FIG. 11

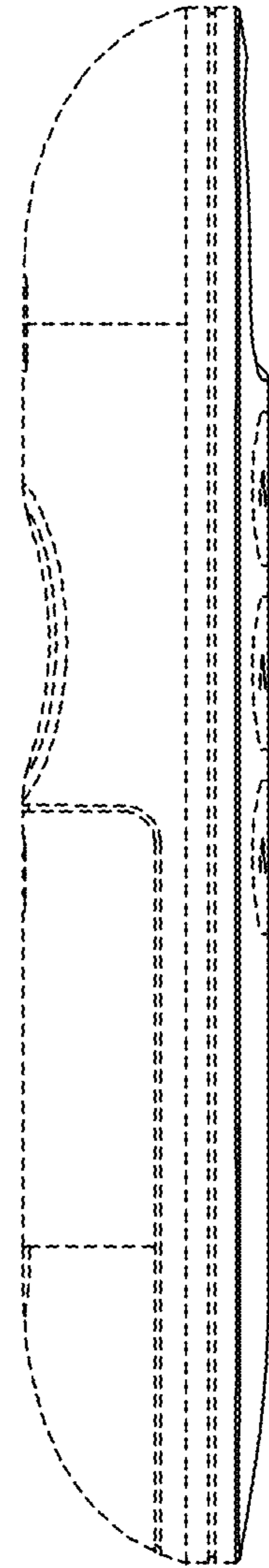


FIG. 12

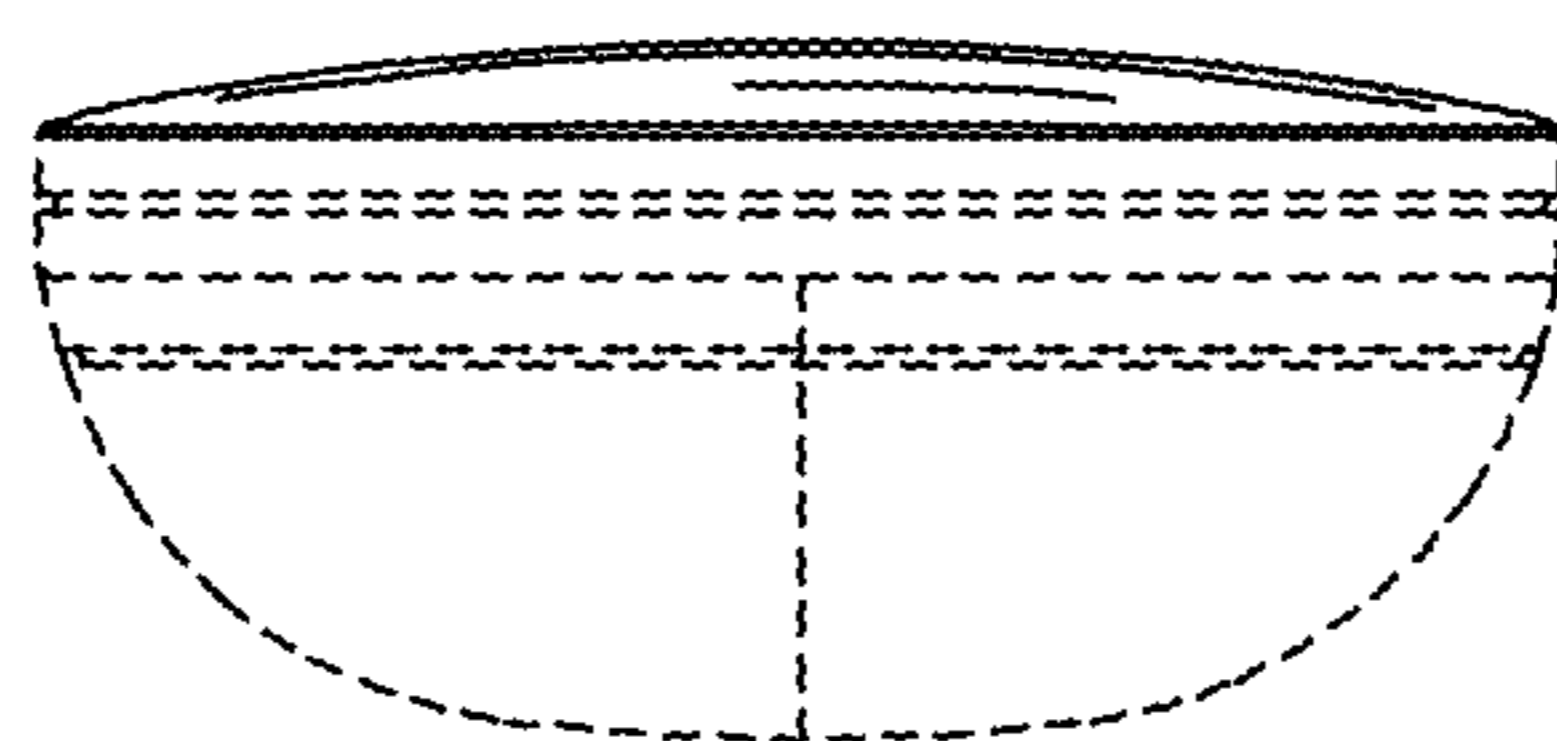


FIG. 14

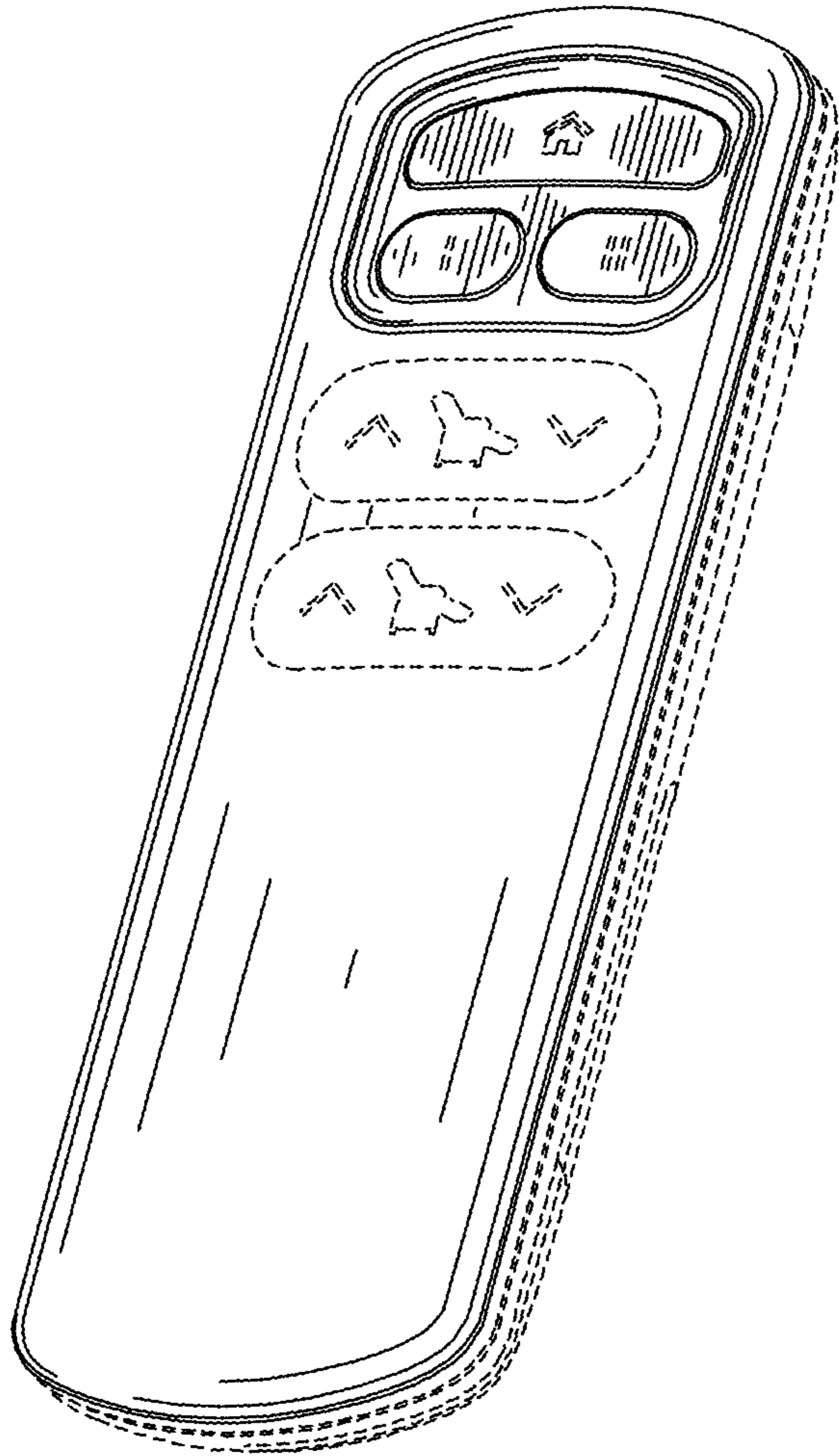


FIG. 15

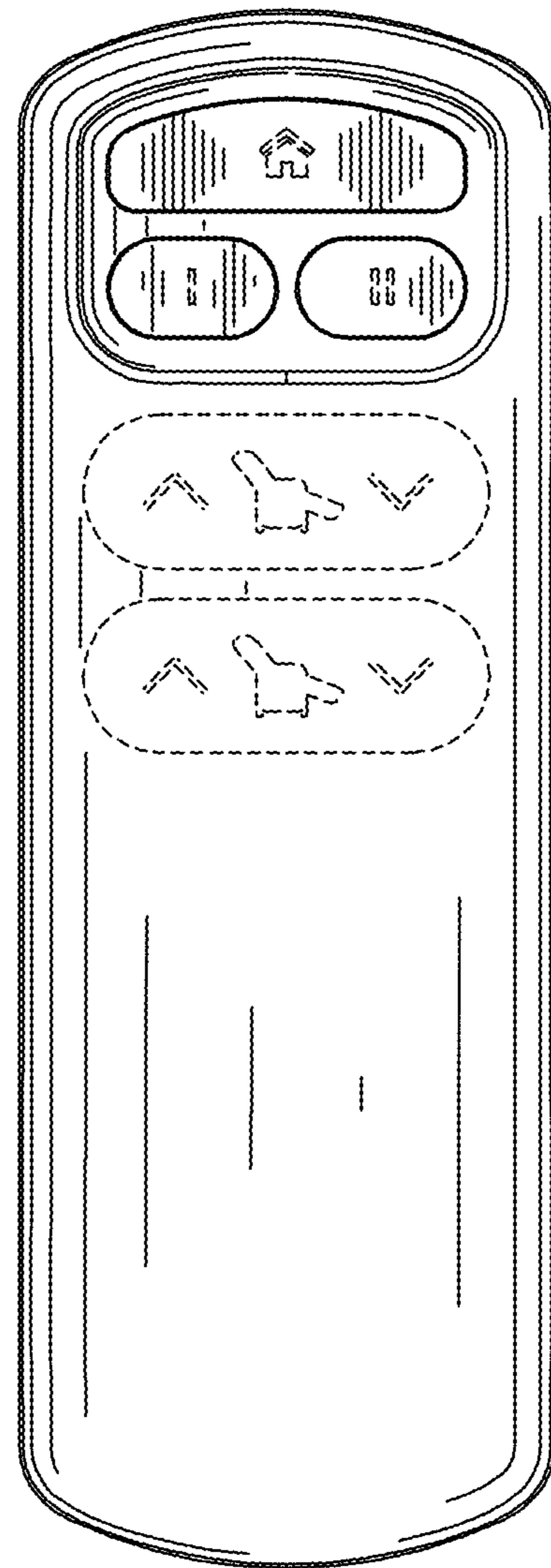


FIG. 16

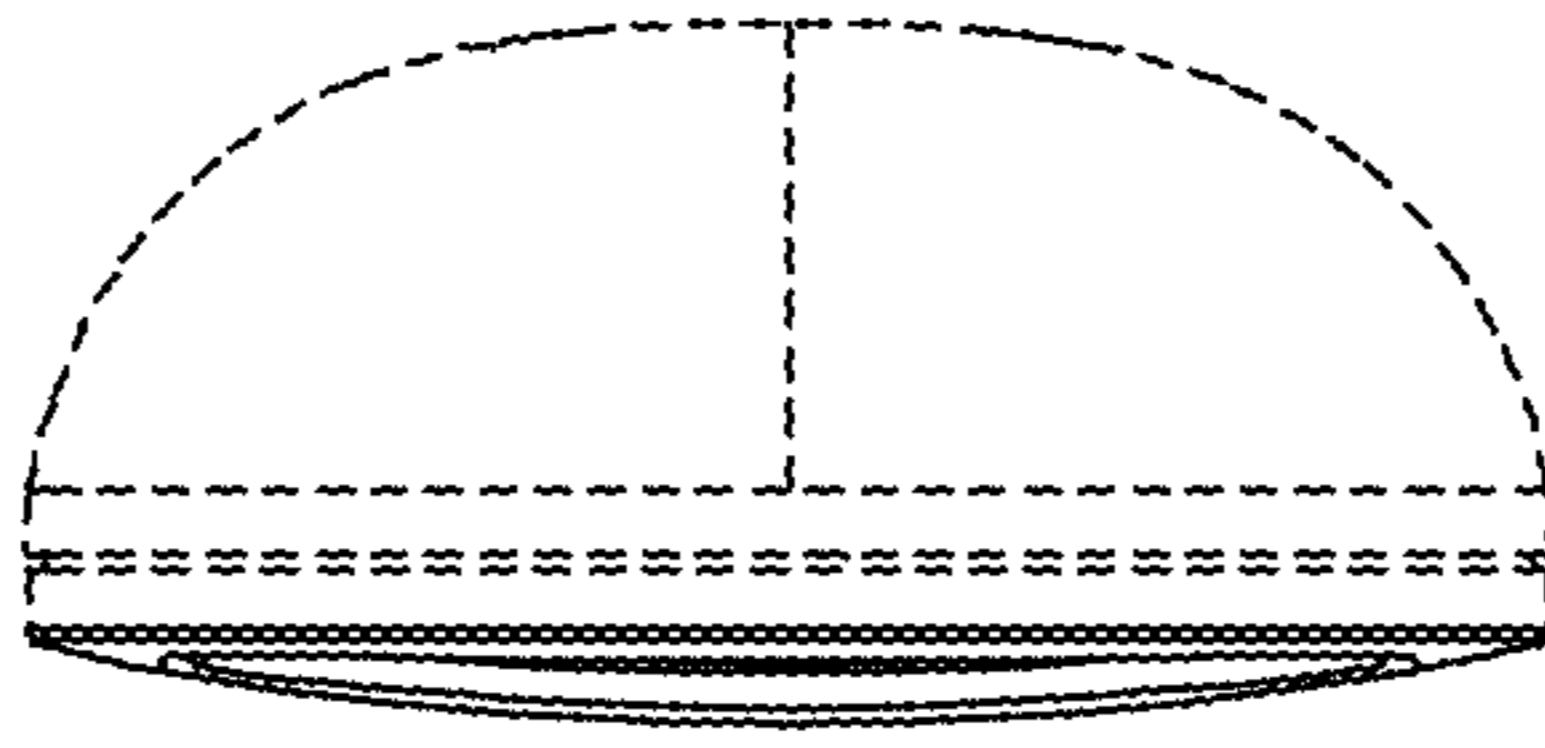


FIG. 20

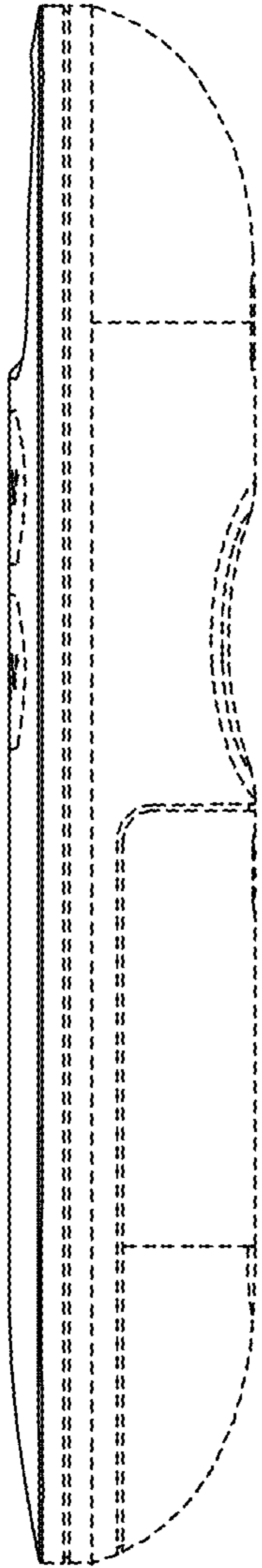


FIG. 17

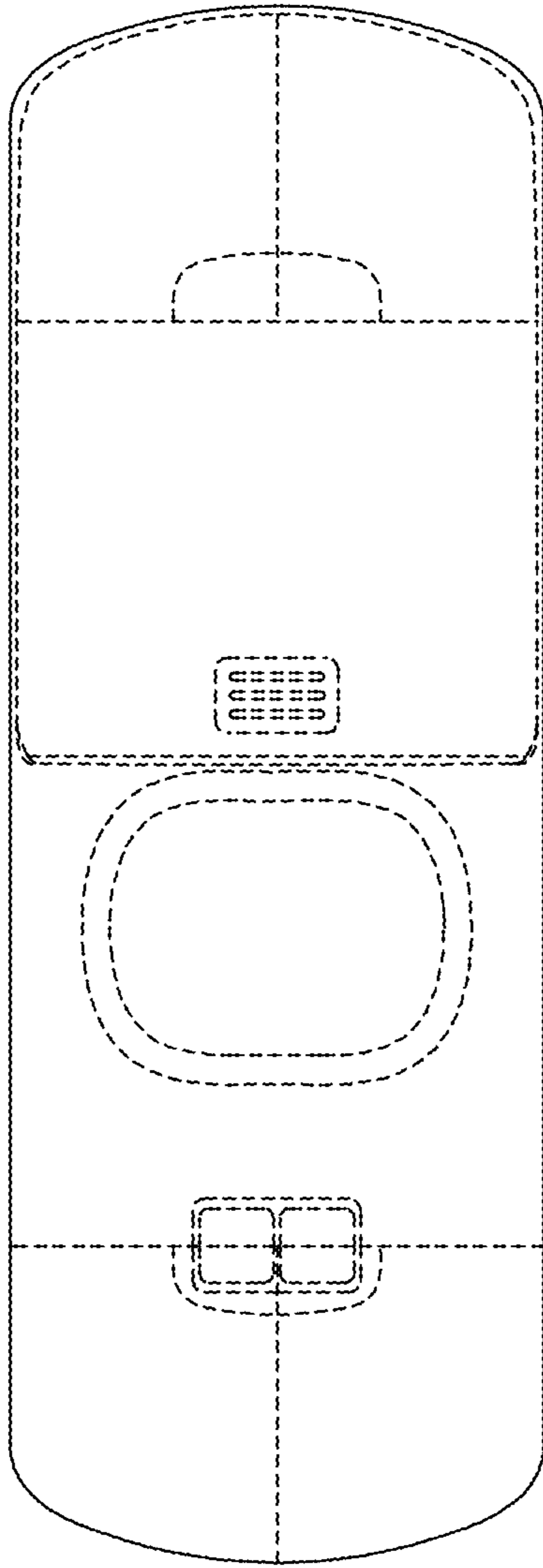


FIG. 18

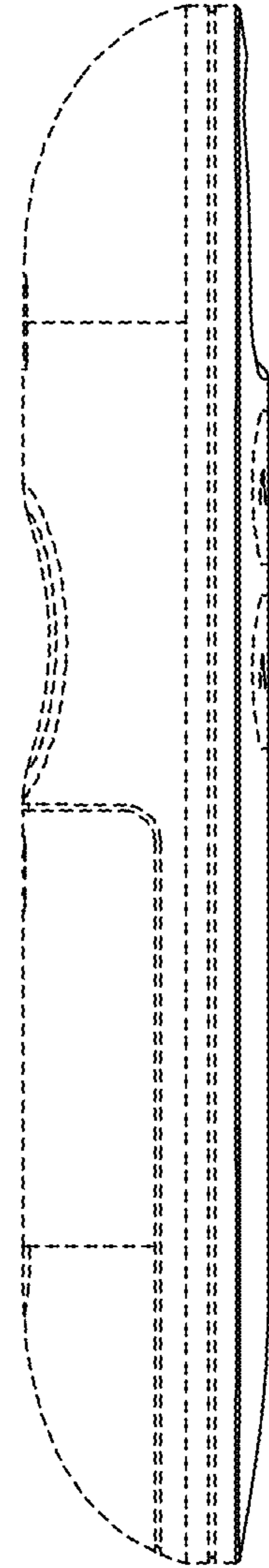


FIG. 19

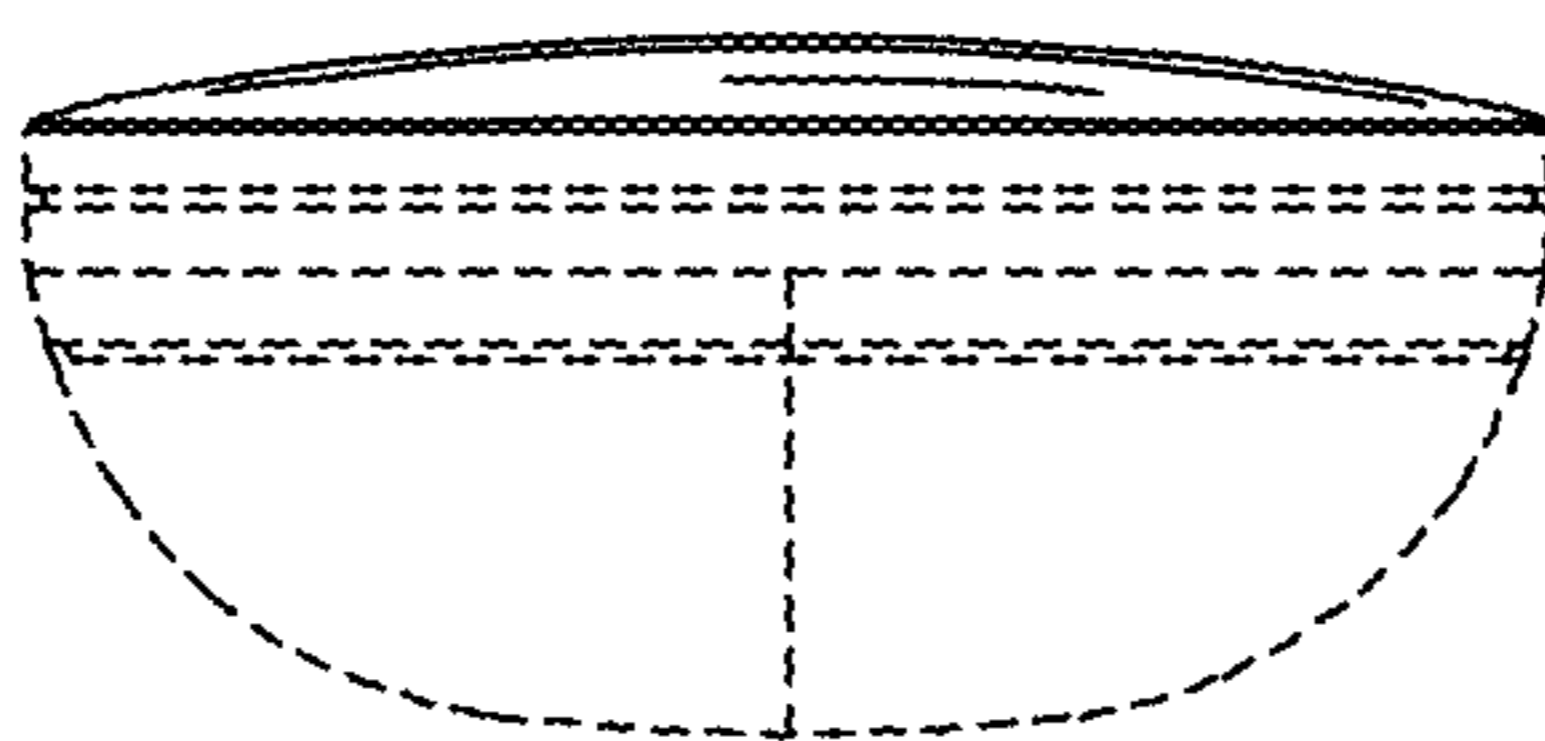


FIG. 21

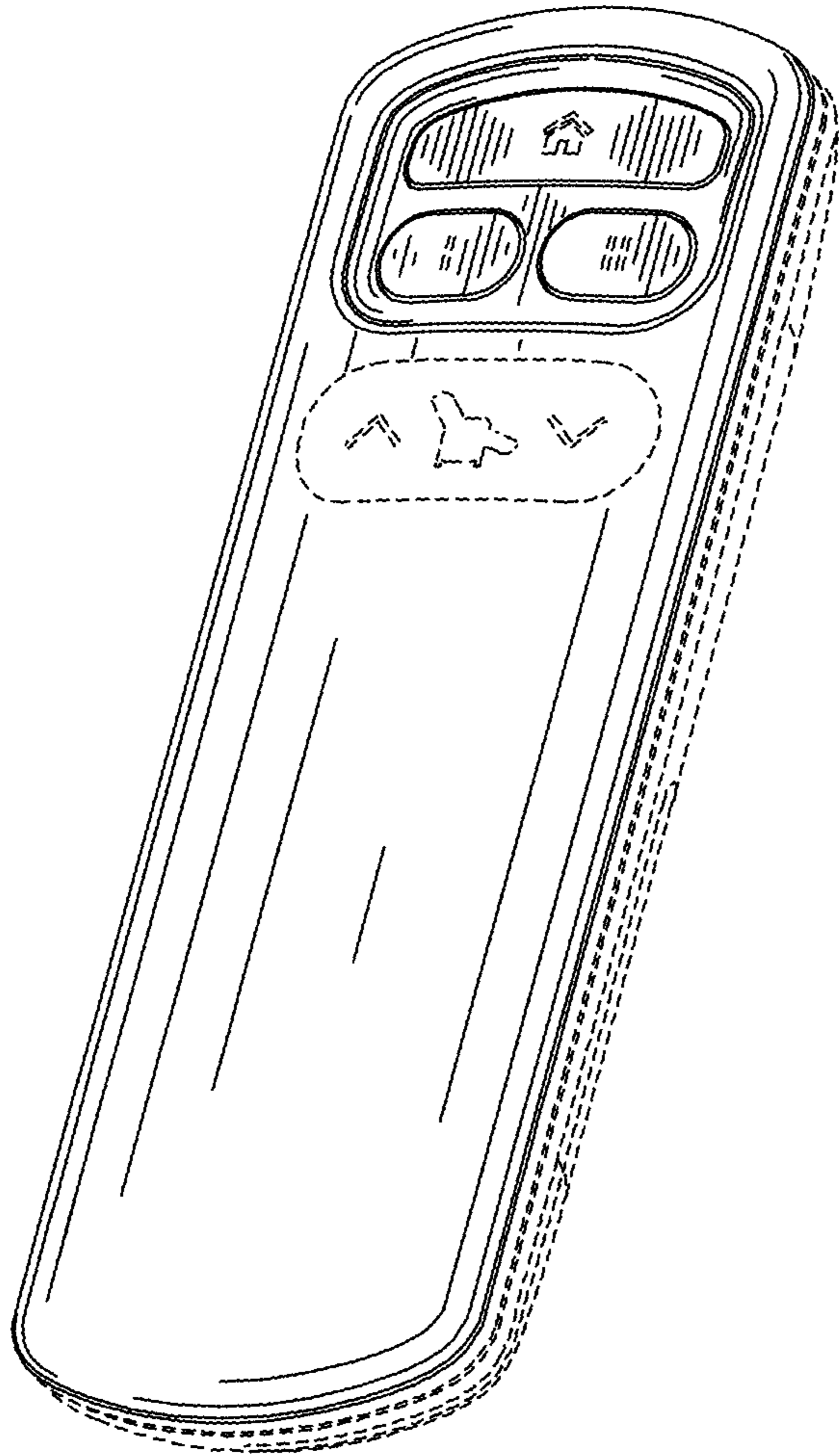


FIG. 22

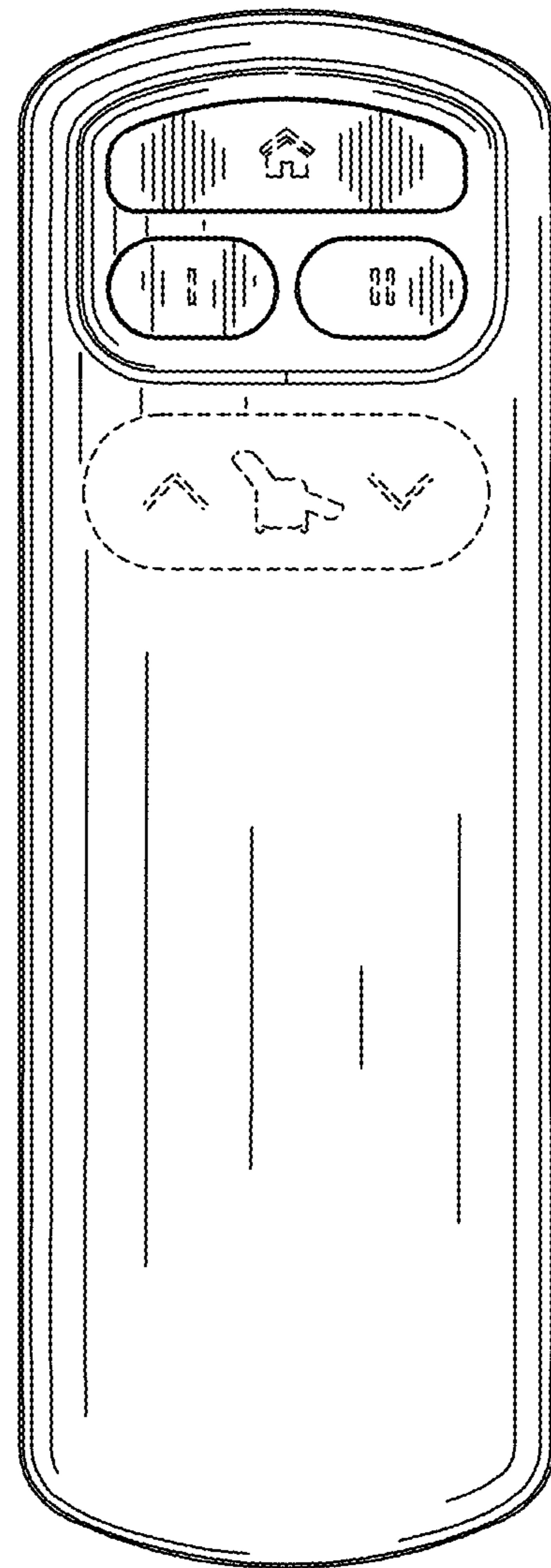


FIG. 23

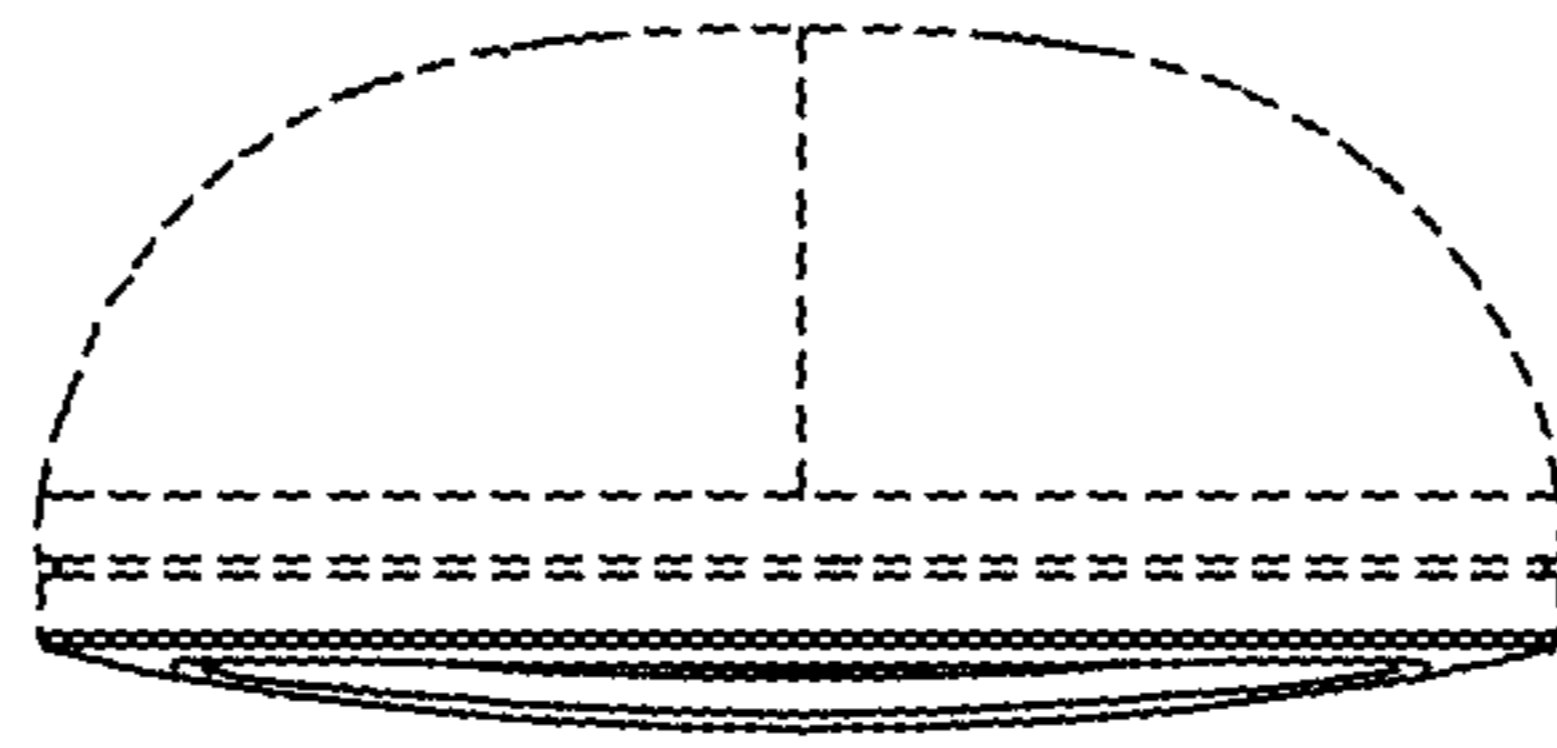


FIG. 27

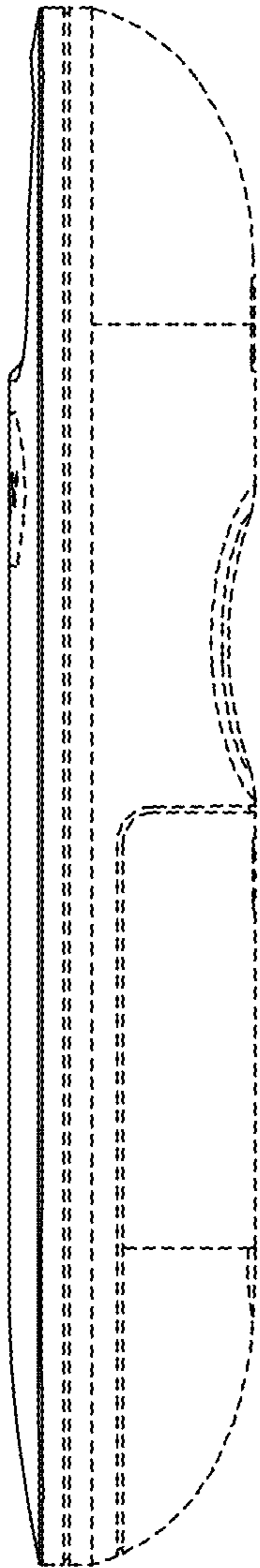


FIG. 24

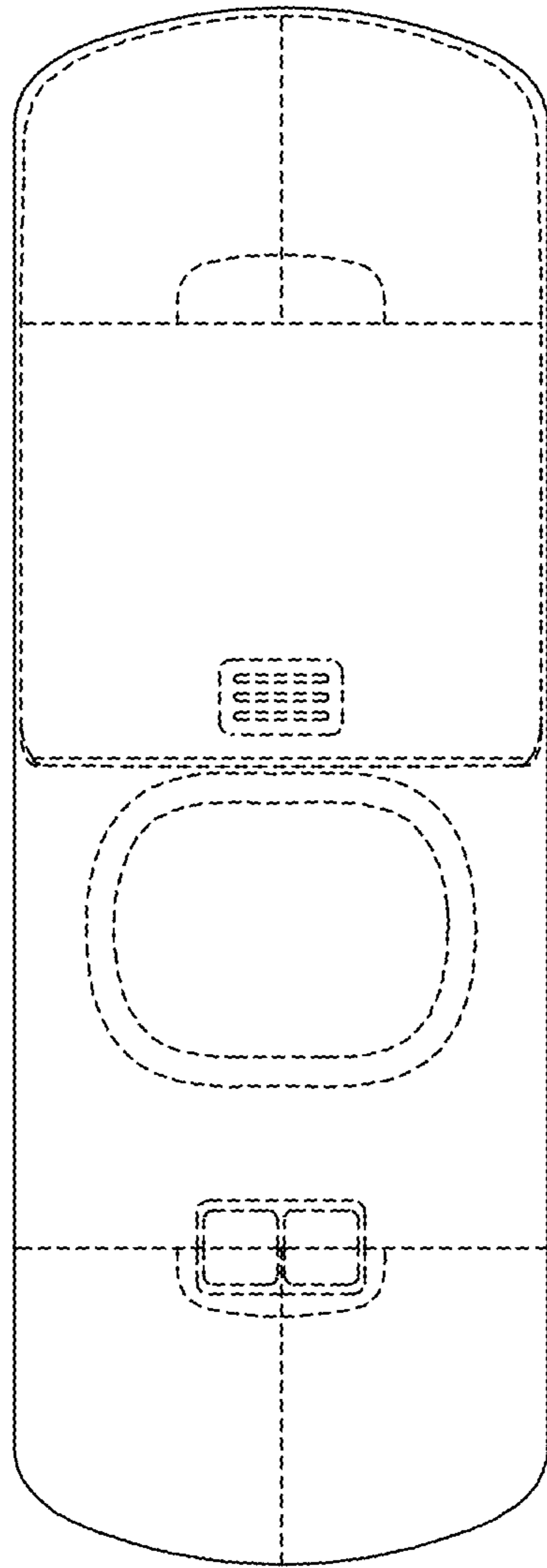


FIG. 25

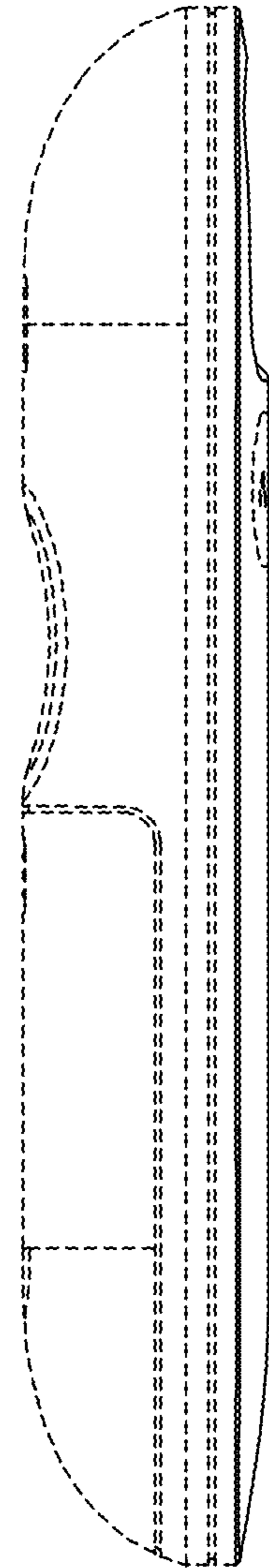


FIG. 26

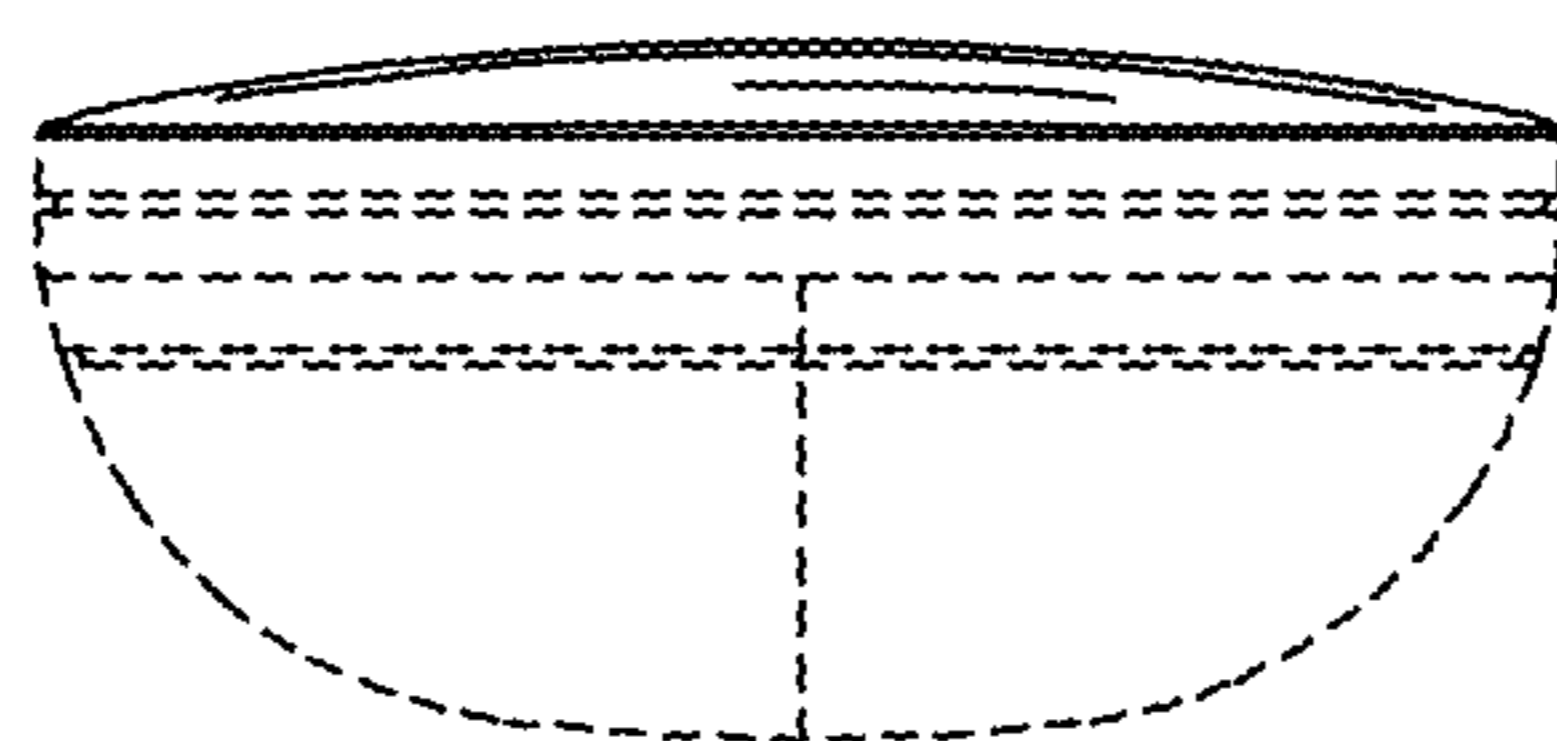


FIG. 28