



US00D909308S

(12) **United States Design Patent** (10) **Patent No.:** **US D909,308 S**  
**Shaopeng** (45) **Date of Patent:** **\*\* Feb. 2, 2021**

- (54) **TRAVEL ADAPTER**
- (71) Applicant: **ZHUHAI LIHE TECHNOLOGY CO., LTD.**, Zhuhai (CN)
- (72) Inventor: **Lyu Shaopeng**, Zhuhai (CN)
- (73) Assignee: **ZHUHAI LIHE TECHNOLOGY CO., LTD.**, Zhuhai (CN)
- (\*\*) Term: **15 Years**
- (21) Appl. No.: **29/712,111**
- (22) Filed: **Nov. 5, 2019**
- (51) **LOC (13) Cl.** ..... **13-03**
- (52) **U.S. Cl.**  
USPC ..... **D13/137.2**
- (58) **Field of Classification Search**  
USPC ... D13/137.1–137.4, 108, 110, 139.1–139.8,  
D13/138.1, 152; D26/26; D14/240  
CPC ..... H01R 31/06; H01R 13/6666  
See application file for complete search history.

- D588,065 S \* 3/2009 Wadsworth ..... D13/137.2
- D609,642 S \* 2/2010 Gandolfi ..... D13/137.2
- D616,823 S \* 6/2010 Shi ..... D13/137.2
- D619,535 S \* 7/2010 Shi ..... D13/137.2
- D621,782 S \* 8/2010 Chang ..... D13/138.1
- D658,122 S \* 4/2012 Tsoi ..... D13/108
- D665,354 S \* 8/2012 Chen ..... D13/138.1
- D673,912 S \* 1/2013 Benedetti ..... D13/137.2
- D680,953 S \* 4/2013 Kuo ..... D13/137.2
- D682,214 S \* 5/2013 Miller ..... D13/139.8
- D695,693 S \* 12/2013 Lee ..... D13/152
- D699,183 S \* 2/2014 Zaslaysky ..... D13/110
- D701,169 S 3/2014 Brown
- D726,653 S 4/2015 Kourtis
- D731,430 S \* 6/2015 Segnit ..... D13/137.2
- D751,038 S \* 3/2016 Lin ..... D13/137.2
- D755,127 S \* 5/2016 Wong ..... D13/137.2

(Continued)

*Primary Examiner* — Rhea Shields  
(74) *Attorney, Agent, or Firm* — Law Offices of Steven W. Weinrieb

(57) **CLAIM**

The ornamental design for a travel adapter, as shown and described.

**DESCRIPTION**

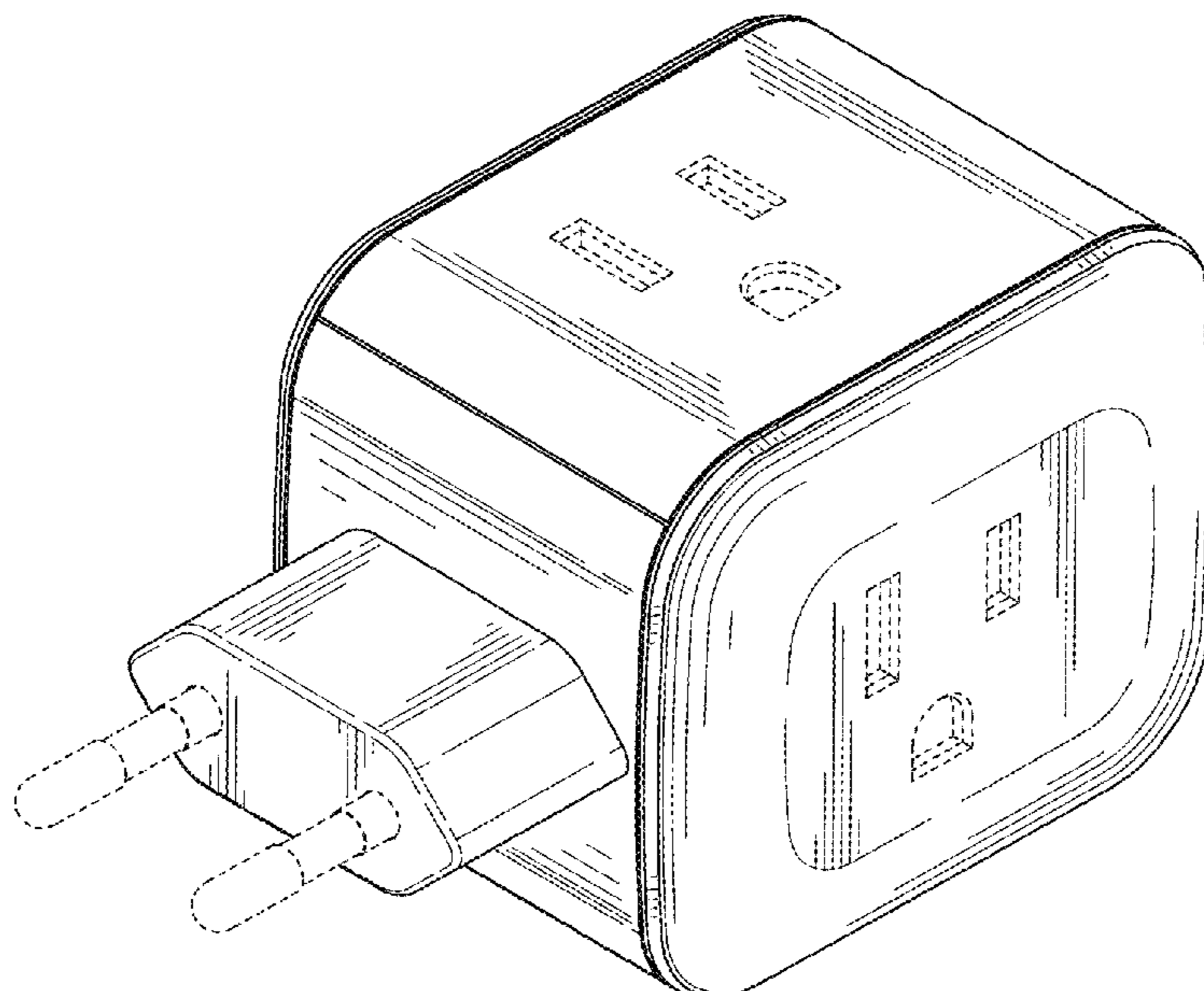
FIG. 1 is a front, left side, top perspective view of a travel adapter showing my new design; FIG. 2 is a rear, right side, bottom perspective view thereof; FIG. 3 is a front elevational view thereof; FIG. 4 is a rear elevational view thereof; FIG. 5 is a left side elevational view thereof; FIG. 6 is a right side elevational view thereof; FIG. 7 is a top plan view thereof; and, FIG. 8 is a bottom plan view thereof. In the drawings, the broken lines are for the purpose of illustrating portions of the travel adapter that forms no part of the claimed design.

**1 Claim, 8 Drawing Sheets**

(56) **References Cited**

U.S. PATENT DOCUMENTS

- 4,191,985 A \* 3/1980 Phillips, Jr. .... H01R 13/6666  
337/34
- D370,460 S \* 6/1996 Boesel ..... D13/137.2
- D399,186 S \* 10/1998 Yasuhara ..... D13/137.3
- D436,345 S \* 1/2001 Lentine ..... D13/137.2
- D437,429 S \* 2/2001 Boessel ..... D26/26
- D443,589 S \* 6/2001 Tong ..... D13/137.2
- D450,036 S \* 11/2001 Okamoto ..... D13/137.2
- 6,386,921 B1 \* 5/2002 Casari ..... H01R 31/06  
439/651
- D469,402 S \* 1/2003 Bukiri ..... D13/137.1
- D486,126 S \* 2/2004 Aromin ..... D13/137.2
- D520,451 S \* 5/2006 Stekelenburg ..... D13/137.3
- D547,271 S \* 7/2007 Ng ..... D13/137.1
- D572,712 S \* 7/2008 Ledbetter ..... D13/110



(56)

References Cited

U.S. PATENT DOCUMENTS

D758,312 S \* 6/2016 Lin ..... D13/137.2  
 D763,794 S 8/2016 Akana et al.  
 D763,796 S 8/2016 Xu  
 D807,295 S \* 1/2018 Xu ..... D13/137.2  
 D807,827 S \* 1/2018 Lu ..... D13/137.2  
 D808,046 S \* 1/2018 Jianting ..... D26/26  
 D811,338 S \* 2/2018 Zhu ..... D13/139.1  
 D813,852 S \* 3/2018 Ni ..... D14/240  
 D816,614 S \* 5/2018 An ..... D13/137.1  
 D819,570 S \* 6/2018 Zhong ..... D13/137.1  
 D820,212 S \* 6/2018 Stern ..... D13/137.2  
 D829,662 S \* 10/2018 Kusano ..... D13/137.1  
 D843,943 S \* 3/2019 Yang ..... D13/137.2  
 D845,900 S \* 4/2019 Liu ..... D13/137.2  
 D848,948 S \* 5/2019 Wei ..... D13/137.2  
 D851,597 S \* 6/2019 Ding ..... D13/137.2  
 D852,138 S \* 6/2019 Wen ..... D13/133

D852,140 S \* 6/2019 Chen ..... D13/137.1  
 D856,934 S \* 8/2019 Levy ..... D13/137.2  
 D858,439 S \* 9/2019 Li ..... D13/108  
 D858,449 S \* 9/2019 Zhu ..... D13/139.1  
 D859,311 S \* 9/2019 Liao ..... D13/137.3  
 D860,948 S \* 9/2019 Wang ..... D13/137.2  
 D860,952 S 9/2019 Akana et al.  
 D861,613 S \* 10/2019 Dai ..... D13/137.2  
 D861,614 S \* 10/2019 Xu ..... D13/137.2  
 D862,388 S \* 10/2019 Qiu ..... D13/137.2  
 D864,871 S \* 10/2019 Xiao ..... D13/137.3  
 D867,295 S \* 11/2019 Shaopeng ..... D13/137.2  
 D869,398 S \* 12/2019 Wang ..... D13/137.3  
 D878,299 S \* 3/2020 Lyu ..... D13/139.8  
 D879,034 S \* 3/2020 Wu ..... D13/108  
 D880,425 S \* 4/2020 Chen ..... D13/137.3  
 D881,809 S \* 4/2020 Lyu ..... D13/108  
 D883,217 S \* 5/2020 Zheng ..... D13/137.1  
 D885,345 S \* 5/2020 Chen ..... D13/139.8  
 D888,666 S \* 6/2020 Zhang ..... D13/110

\* cited by examiner

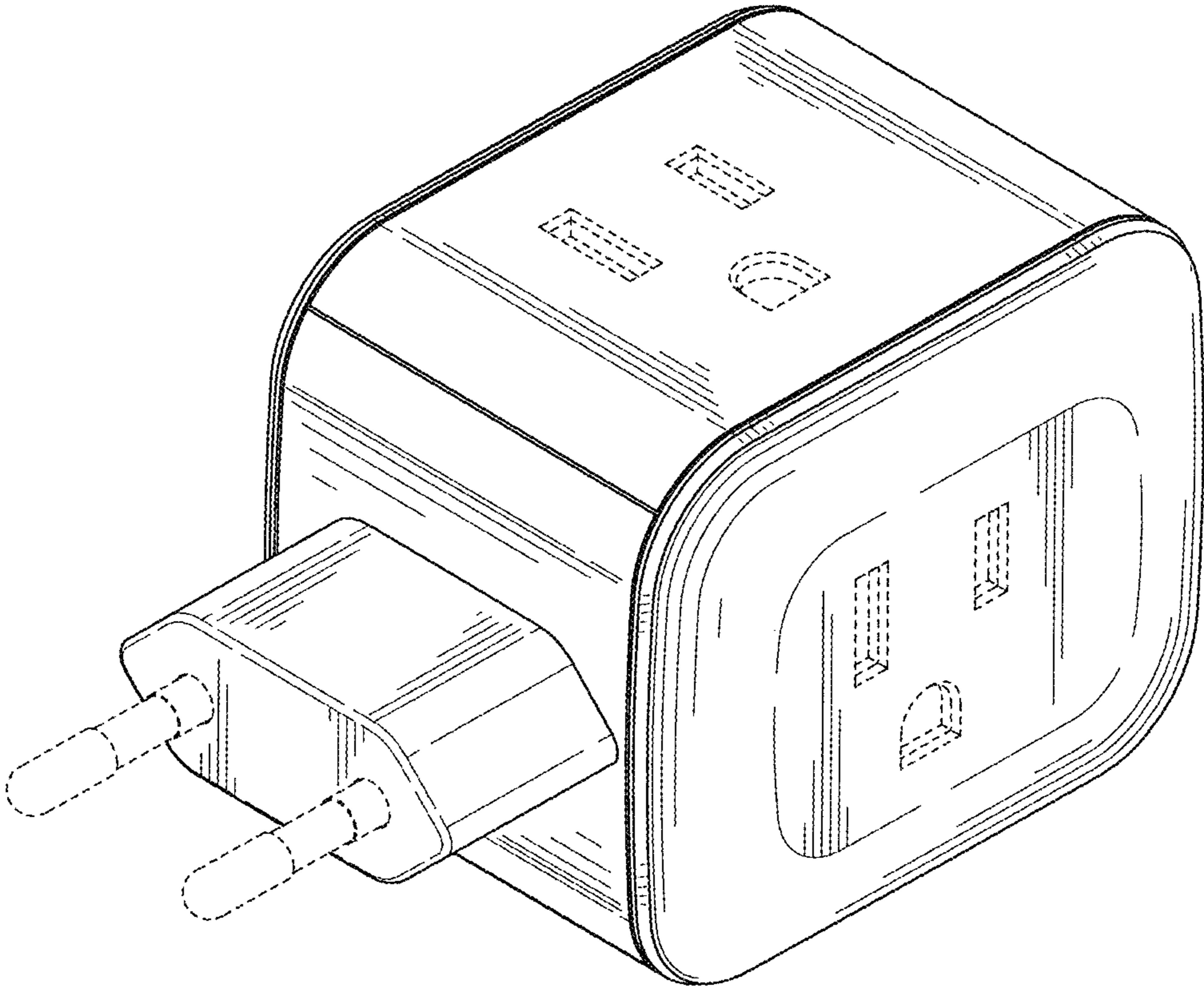


FIG. 1

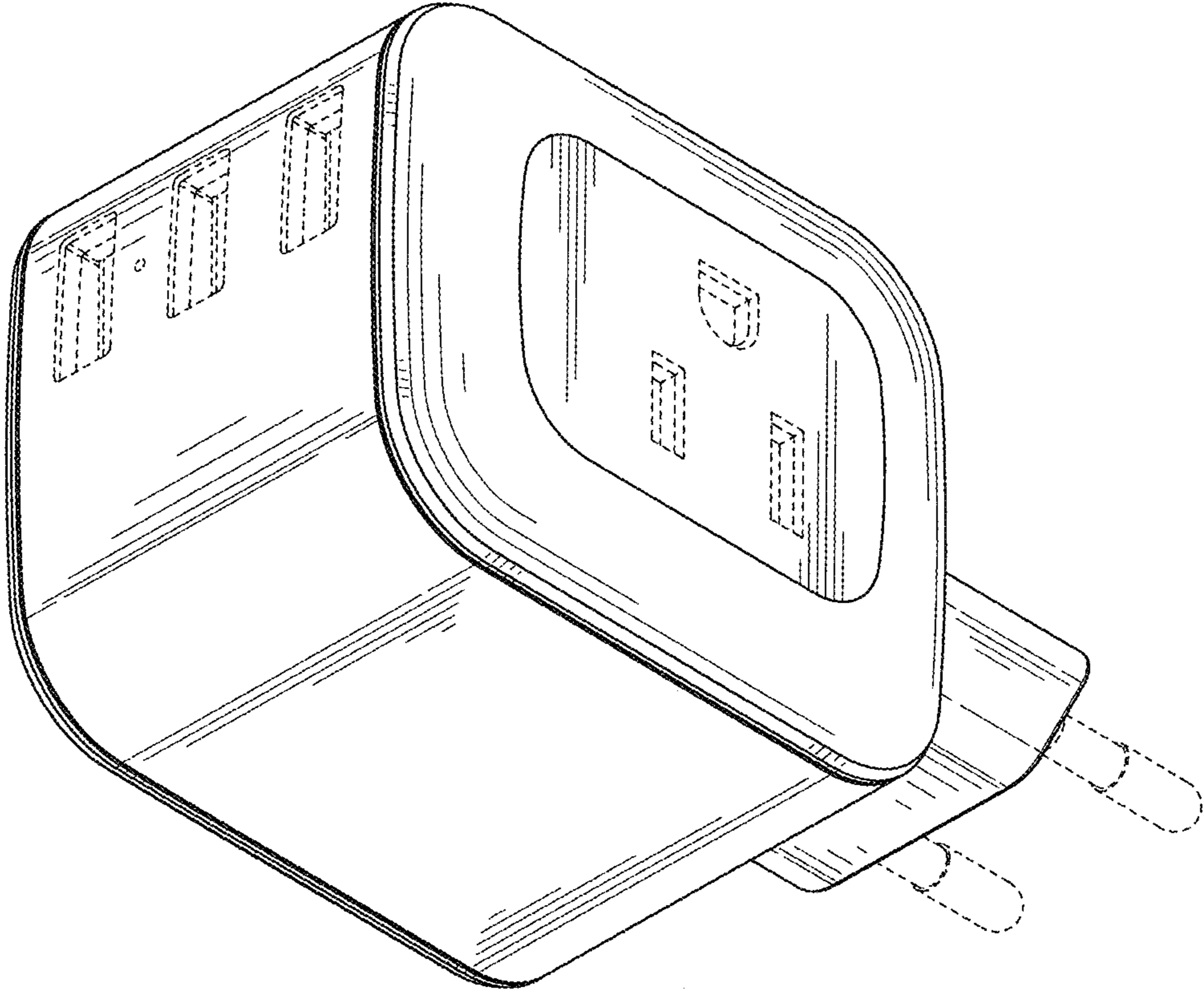


FIG. 2

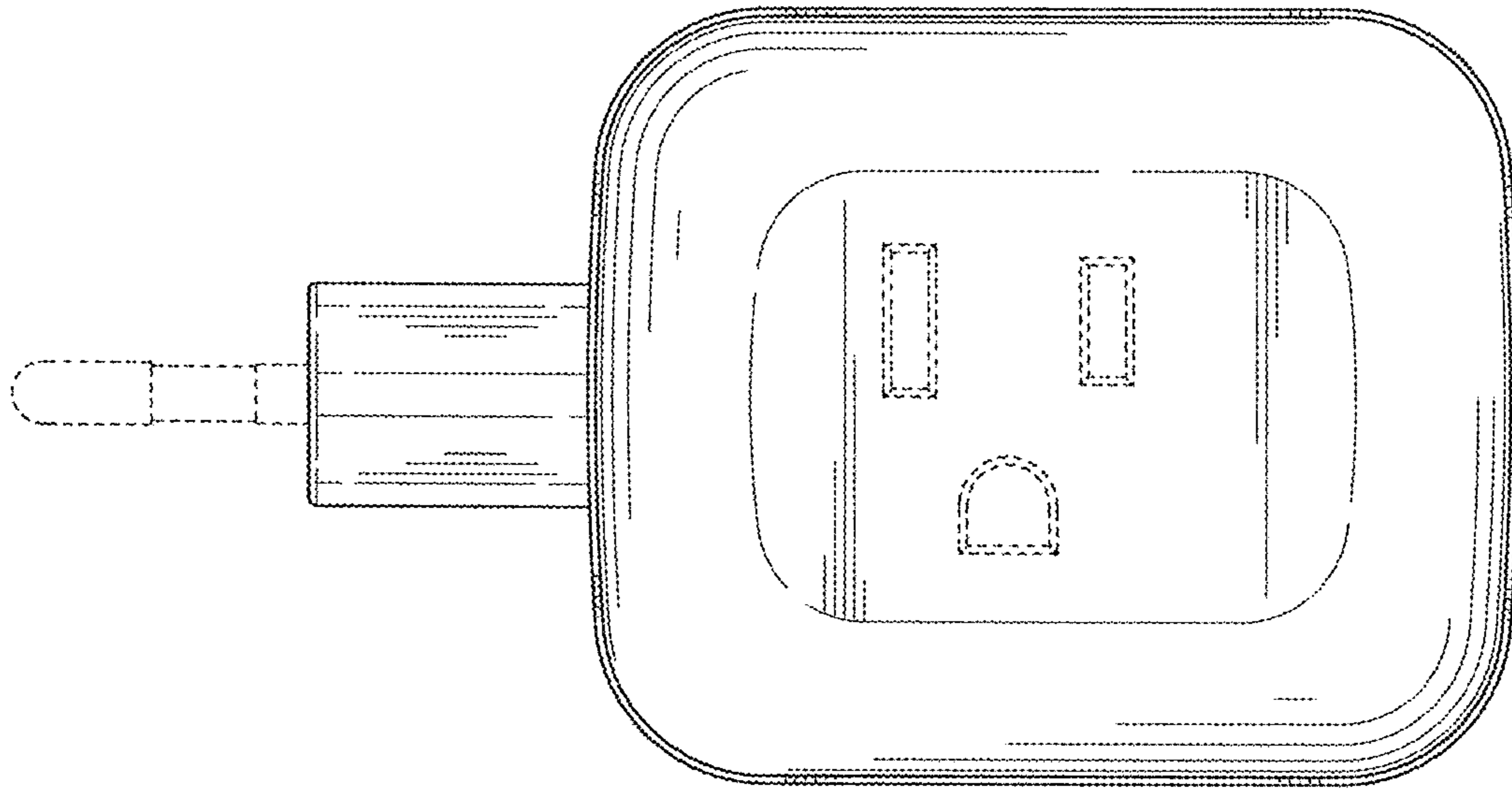


FIG. 3

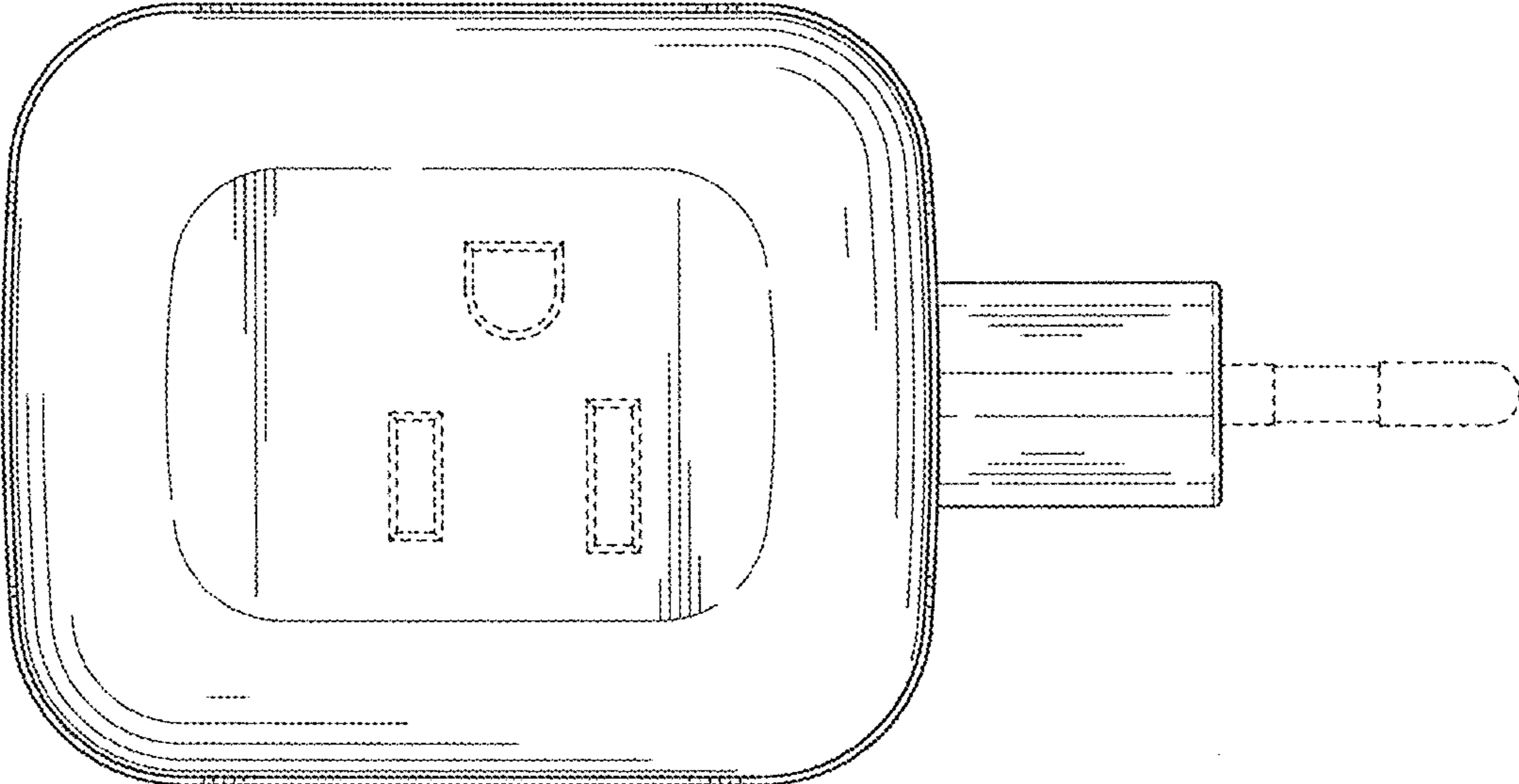


FIG. 4

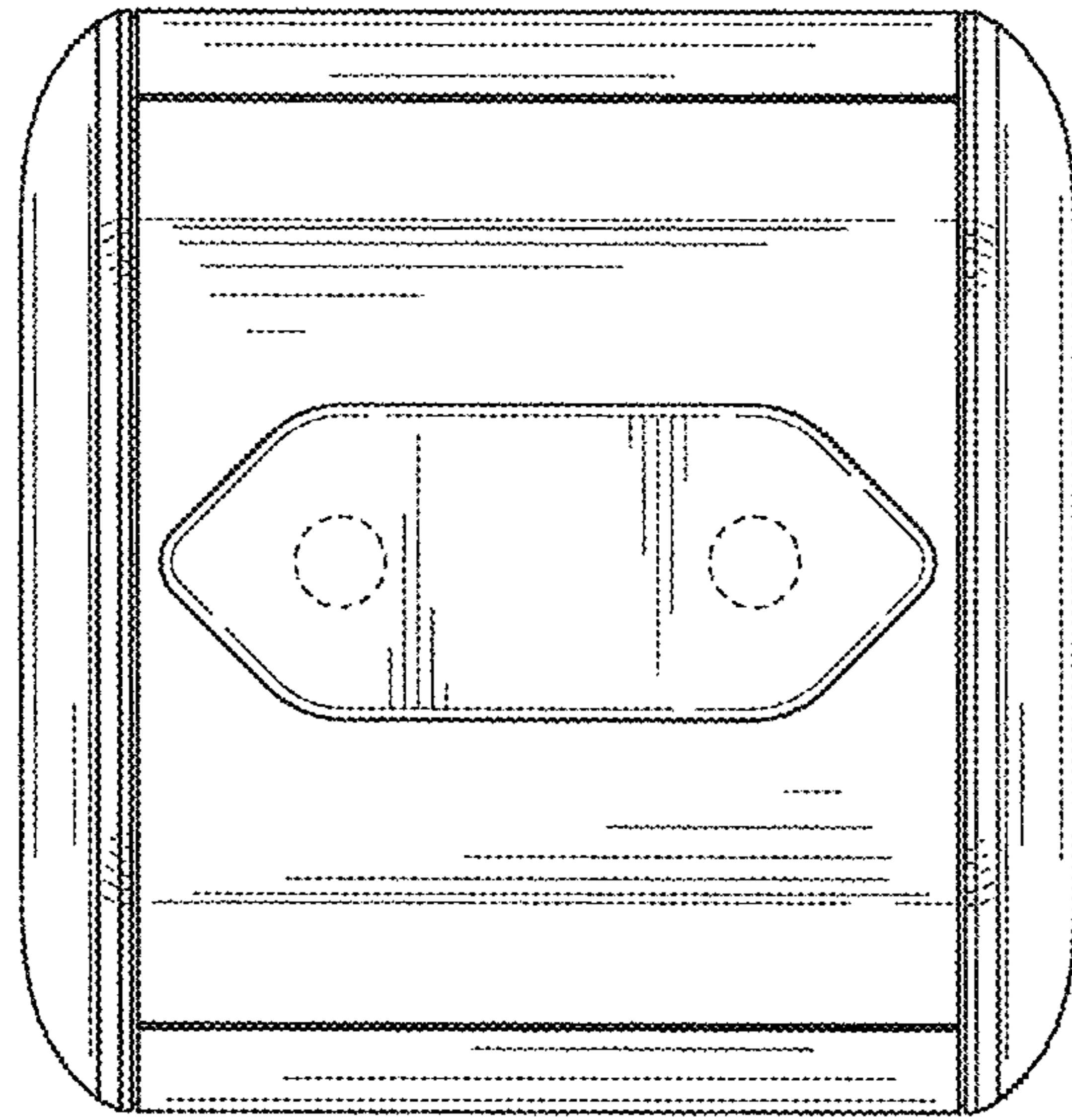


FIG. 5

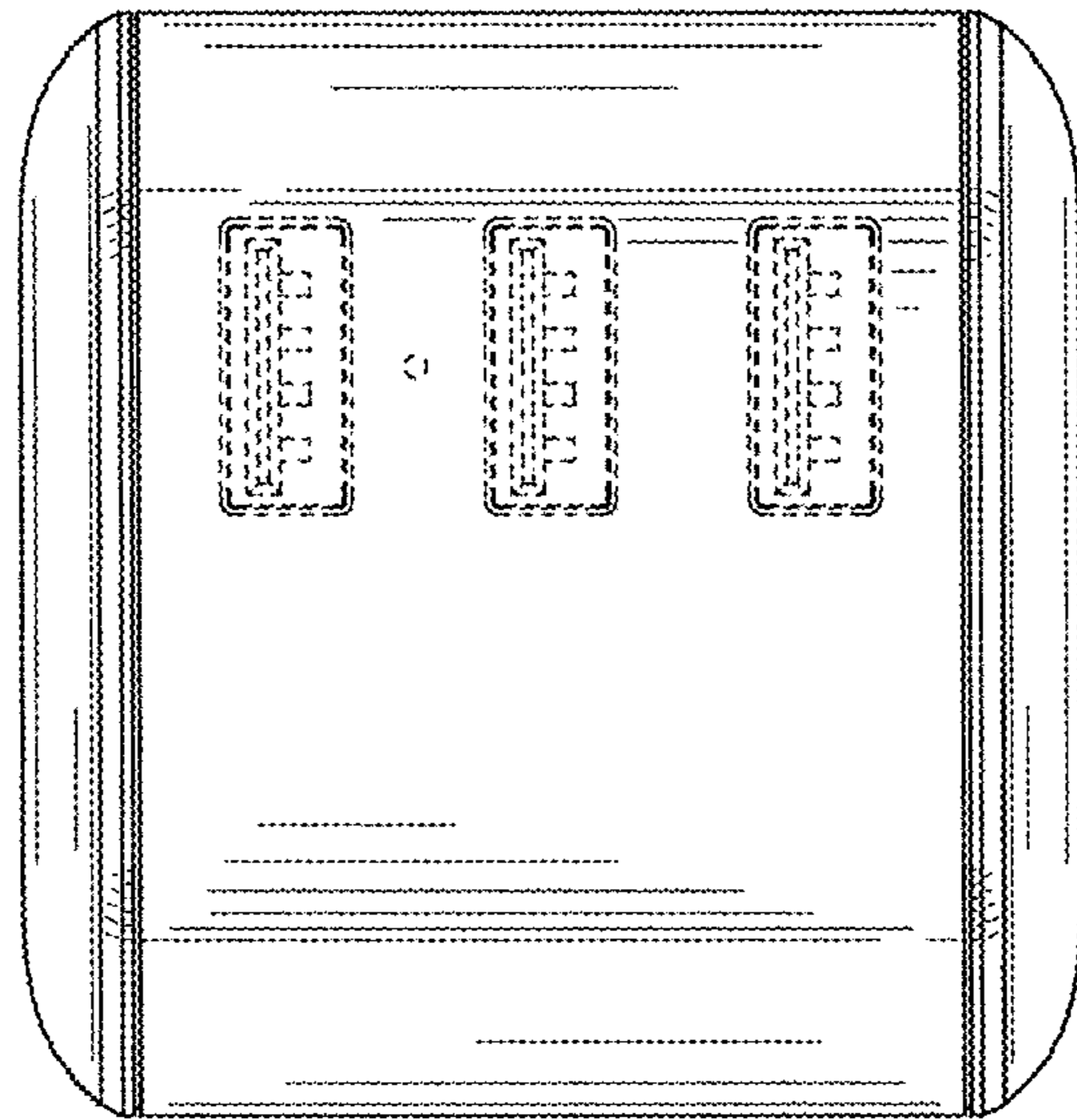


FIG. 6



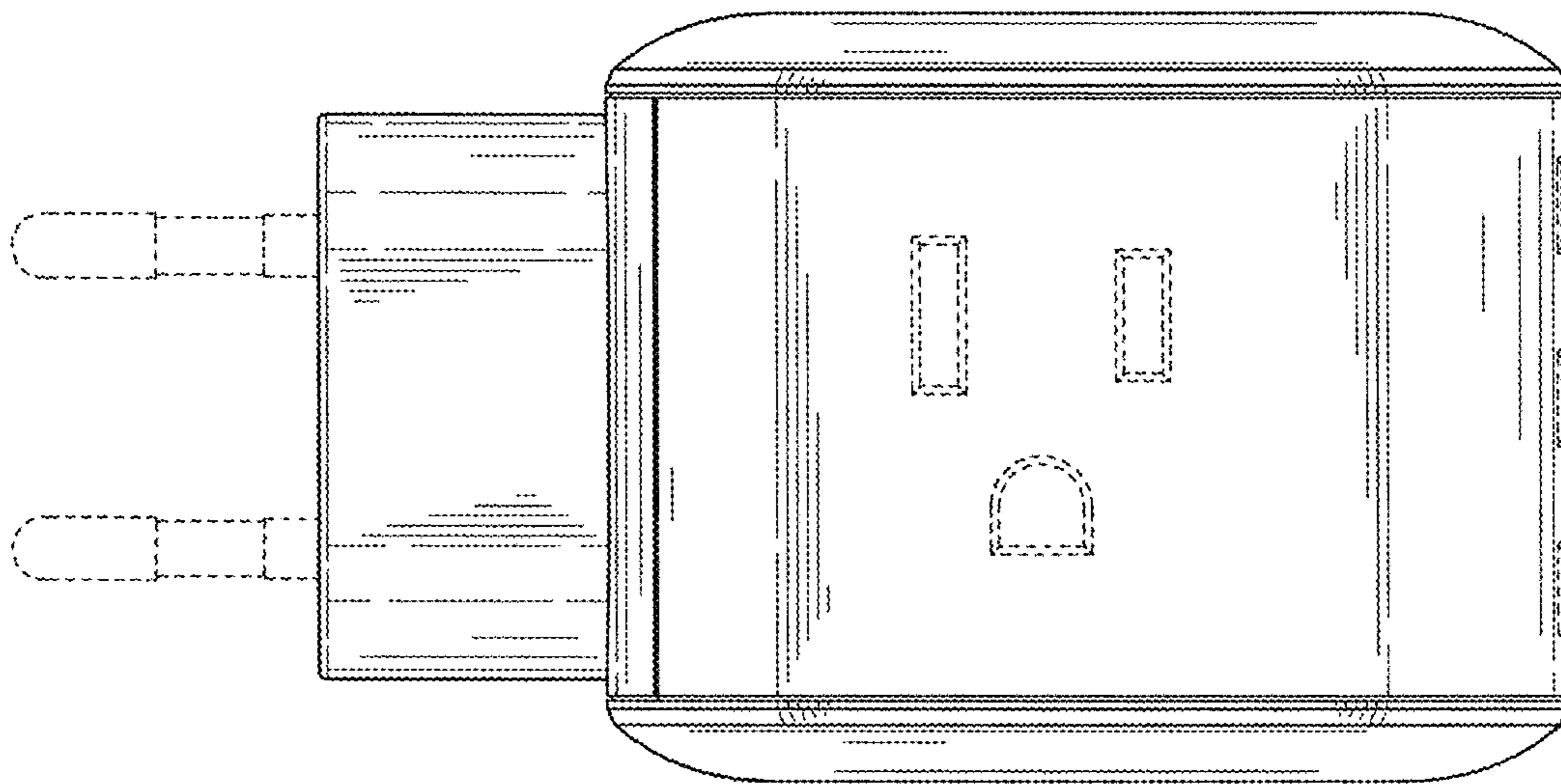


FIG. 7

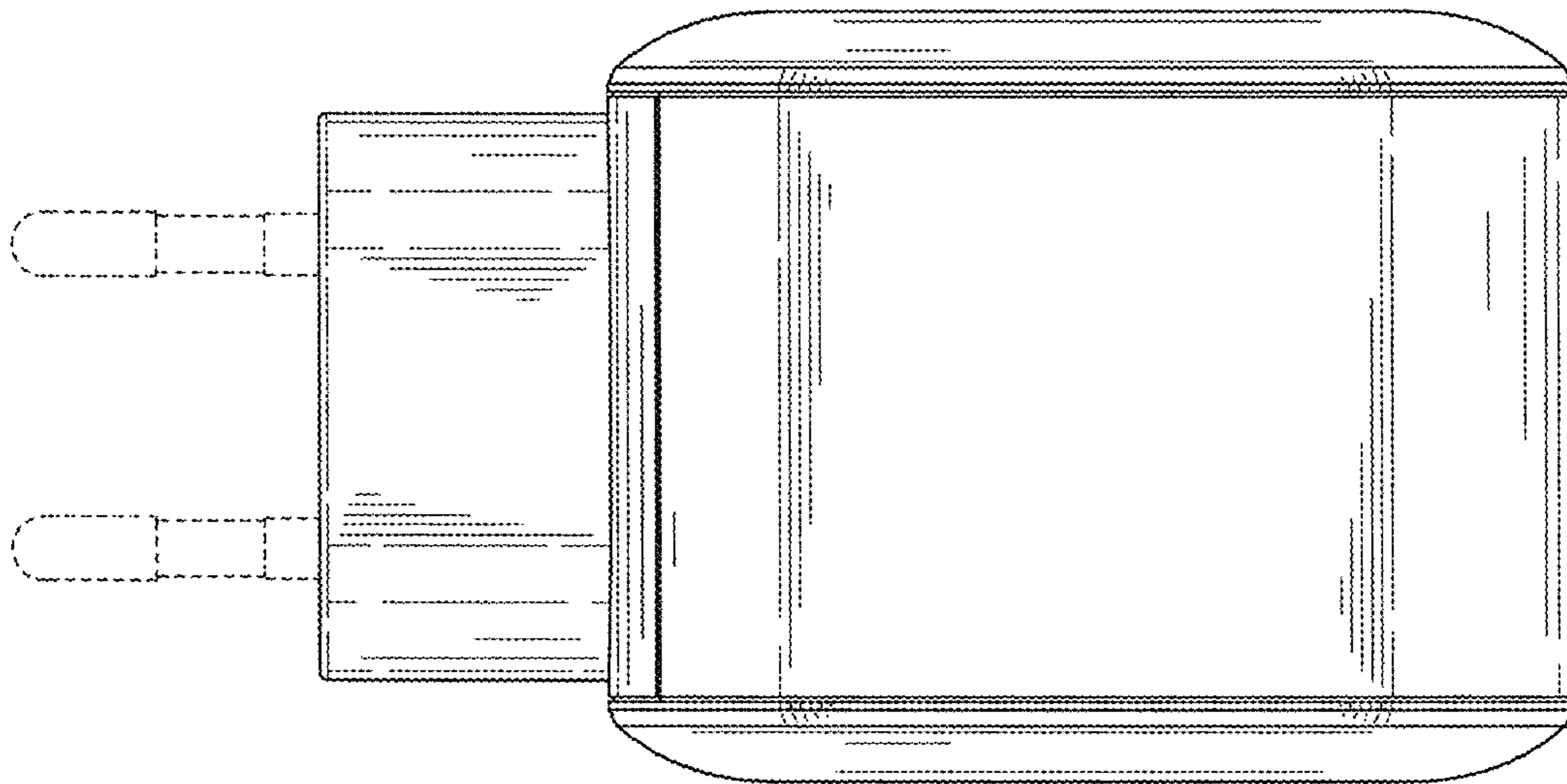


FIG. 8