



US00D909307S

(12) **United States Design Patent** (10) **Patent No.:** **US D909,307 S**  
**Shaopeng** (45) **Date of Patent:** **\*\* Feb. 2, 2021**

- (54) **TRAVEL ADAPTER**
- (71) Applicant: **ZHUHAI LIHE TECHNOLOGY CO., LTD.**, Zhuhai (CN)
- (72) Inventor: **Lyu Shaopeng**, Zhuhai (CN)
- (73) Assignee: **ZHUHAI LIHE TECHNOLOGY CO., LTD.**, Zhuhai (CN)
- (\*\*) Term: **15 Years**
- (21) Appl. No.: **29/712,091**
- (22) Filed: **Nov. 5, 2019**
- (51) **LOC (13) Cl.** ..... **13-03**
- (52) **U.S. Cl.**  
USPC ..... **D13/137.2**
- (58) **Field of Classification Search**  
USPC ... D13/137.1–137.4, 108, 110, 139.1–139.8,  
D13/138.1, 152; D26/26; D14/240  
CPC ..... H01R 31/06; H01R 13/6666  
See application file for complete search history.

- D588,065 S \* 3/2009 Wadsworth ..... D13/137.2
- D609,642 S \* 2/2010 Gandolfi ..... D13/137.2
- D616,823 S \* 6/2010 Shi ..... D13/137.2
- D619,535 S \* 7/2010 Shi ..... D13/137.2
- D621,782 S \* 8/2010 Chang ..... D13/138.1
- D658,122 S \* 4/2012 Tsoi ..... D13/108
- D665,354 S \* 8/2012 Chen ..... D13/138.1
- D673,912 S \* 1/2013 Benedetti ..... D13/137.2
- D680,953 S \* 4/2013 Kuo ..... D13/137.2
- D682,214 S \* 5/2013 Miller ..... D13/139.8
- D695,693 S \* 12/2013 Lee ..... D13/152
- D699,183 S \* 2/2014 Zaslavsky ..... D13/110
- D701,169 S 3/2014 Brown
- D726,653 S 4/2015 Kourtis
- D731,430 S \* 6/2015 Segnit ..... D13/137.2
- D751,038 S \* 3/2016 Lin ..... D13/137.2
- D755,127 S \* 5/2016 Wong ..... D13/137.2

(Continued)

*Primary Examiner* — Rhea Shields  
(74) *Attorney, Agent, or Firm* — Law Offices of Steven W. Weinrieb

(57) **CLAIM**

The ornamental design for a travel adapter, as shown and described.

**DESCRIPTION**

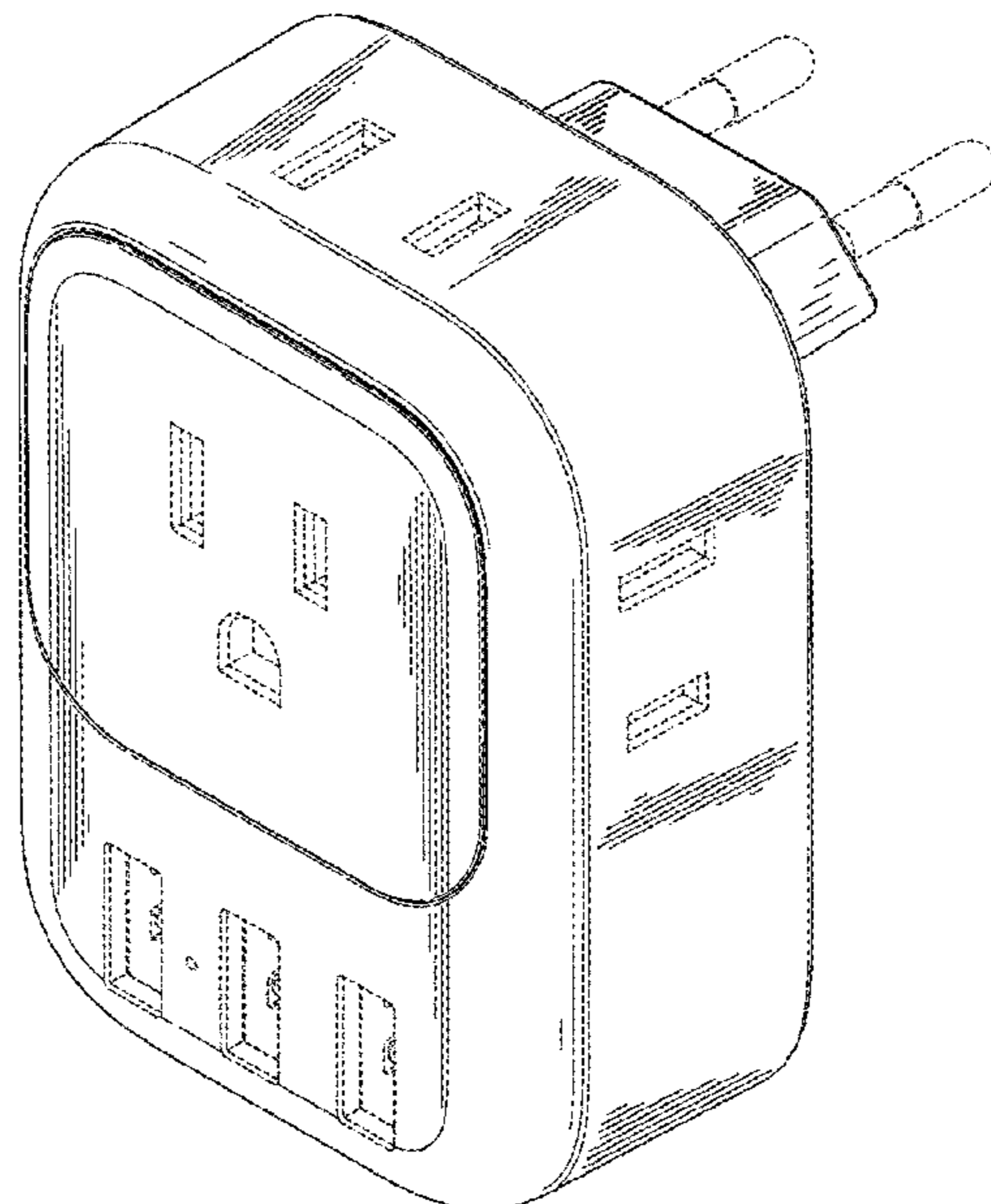
FIG. 1 is a front, right side, top perspective view of a travel adapter showing my new design;  
FIG. 2 is a rear, left side, bottom perspective view thereof;  
FIG. 3 is a front elevational view thereof;  
FIG. 4 is a rear elevational view thereof.  
FIG. 5 is a left side elevational view thereof;  
FIG. 6 is a right side elevational view thereof;  
FIG. 7 is a top plan view thereof; and,  
FIG. 8 is a bottom plan view thereof.  
In the drawings, the broken lines are for the purpose of illustrating portions of the travel adapter that form no part of the claimed design.

**1 Claim, 8 Drawing Sheets**

(56) **References Cited**

U.S. PATENT DOCUMENTS

- 4,191,985 A \* 3/1980 Phillips, Jr. .... H01R 13/6666  
337/34
- D370,460 S \* 6/1996 Boesel ..... D13/137.2
- D399,186 S \* 10/1998 Yasuhara ..... D13/137.3
- D436,345 S \* 1/2001 Lentine ..... D13/137.2
- D437,429 S \* 2/2001 Boessel ..... D26/26
- D443,589 S \* 6/2001 Tong ..... D13/137.2
- D450,036 S \* 11/2001 Okamoto ..... D13/137.2
- 6,386,921 B1 \* 5/2002 Casari ..... H01R 31/06  
439/651
- D469,402 S \* 1/2003 Bukiri ..... D13/137.1
- D486,126 S \* 2/2004 Aromin ..... D13/137.2
- D520,451 S \* 5/2006 Stekelenburg ..... D13/137.3
- D547,271 S \* 7/2007 Ng ..... D13/137.1
- D572,712 S \* 7/2008 Ledbetter ..... D13/110



(56)

References Cited

U.S. PATENT DOCUMENTS

D758,312 S *	6/2016	Lin	.....	D13/137.2	D852,140 S *	6/2019	Chen	.....	D13/137.1
D763,794 S	8/2016	Akana et al.			D856,934 S *	8/2019	Levy	.....	D13/137.2
D763,796 S	8/2016	Xu			D858,439 S *	9/2019	Li	.....	D13/108
D807,295 S *	1/2018	Xu	.....	D13/137.2	D858,449 S *	9/2019	Zhu	.....	D13/139.1
D807,827 S *	1/2018	Lu	.....	D13/137.2	D859,311 S *	9/2019	Liao	.....	D13/137.3
D808,046 S *	1/2018	Jianting	.....	D26/26	D860,948 S *	9/2019	Wang	.....	D13/137.2
D811,338 S *	2/2018	Zhu	.....	D13/139.1	D860,952 S	9/2019	Akana et al.		
D813,852 S *	3/2018	Ni	.....	D14/240	D861,613 S *	10/2019	Dai	.....	D13/137.2
D816,614 S *	5/2018	An	.....	D13/137.1	D861,614 S *	10/2019	Xu	.....	D13/137.2
D819,570 S *	6/2018	Zhong	.....	D13/137.1	D862,388 S *	10/2019	Qiu	.....	D13/137.2
D820,212 S *	6/2018	Stern	.....	D13/137.2	D864,871 S *	10/2019	Xiao	.....	D13/137.3
D829,662 S *	10/2018	Kusano	.....	D13/137.1	D867,295 S *	11/2019	Shaopeng	.....	D13/137.2
D843,943 S *	3/2019	Yang	.....	D13/137.2	D869,398 S *	12/2019	Wang	.....	D13/137.3
D845,900 S *	4/2019	Liu	.....	D13/137.2	D878,299 S *	3/2020	Lyu	.....	D13/139.8
D848,948 S *	5/2019	Wei	.....	D13/137.2	D879,034 S *	3/2020	Wu	.....	D13/108
D851,597 S *	6/2019	Ding	.....	D13/137.2	D880,425 S *	4/2020	Chen	.....	D13/137.3
D852,138 S *	6/2019	Wen	.....	D13/133	D881,809 S *	4/2020	Lyu	.....	D13/108
					D883,217 S *	5/2020	Zheng	.....	D13/137.1
					D885,345 S *	5/2020	Chen	.....	D13/139.8
					D888,666 S *	6/2020	Zhang	.....	D13/110

\* cited by examiner

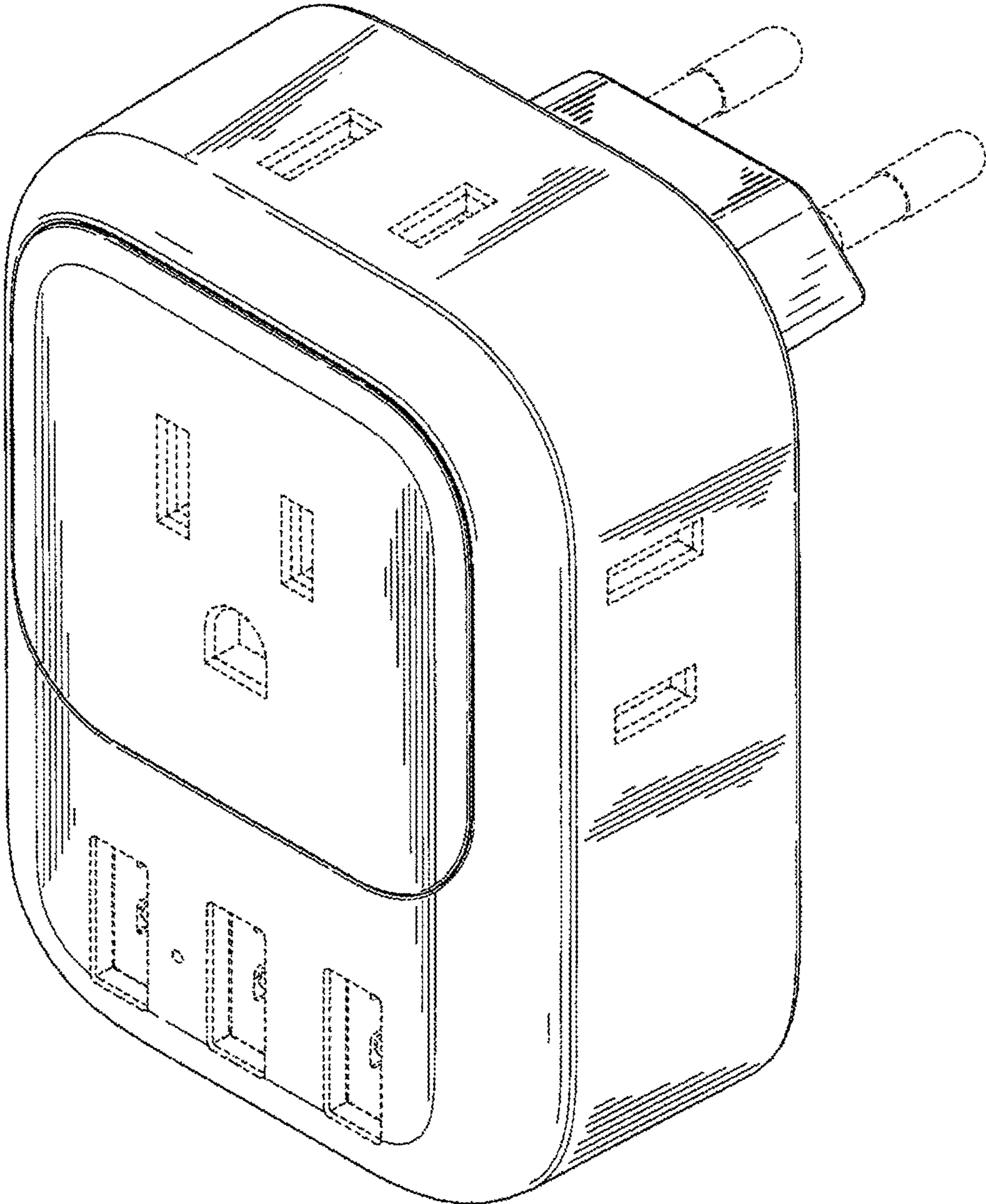


FIG. 1



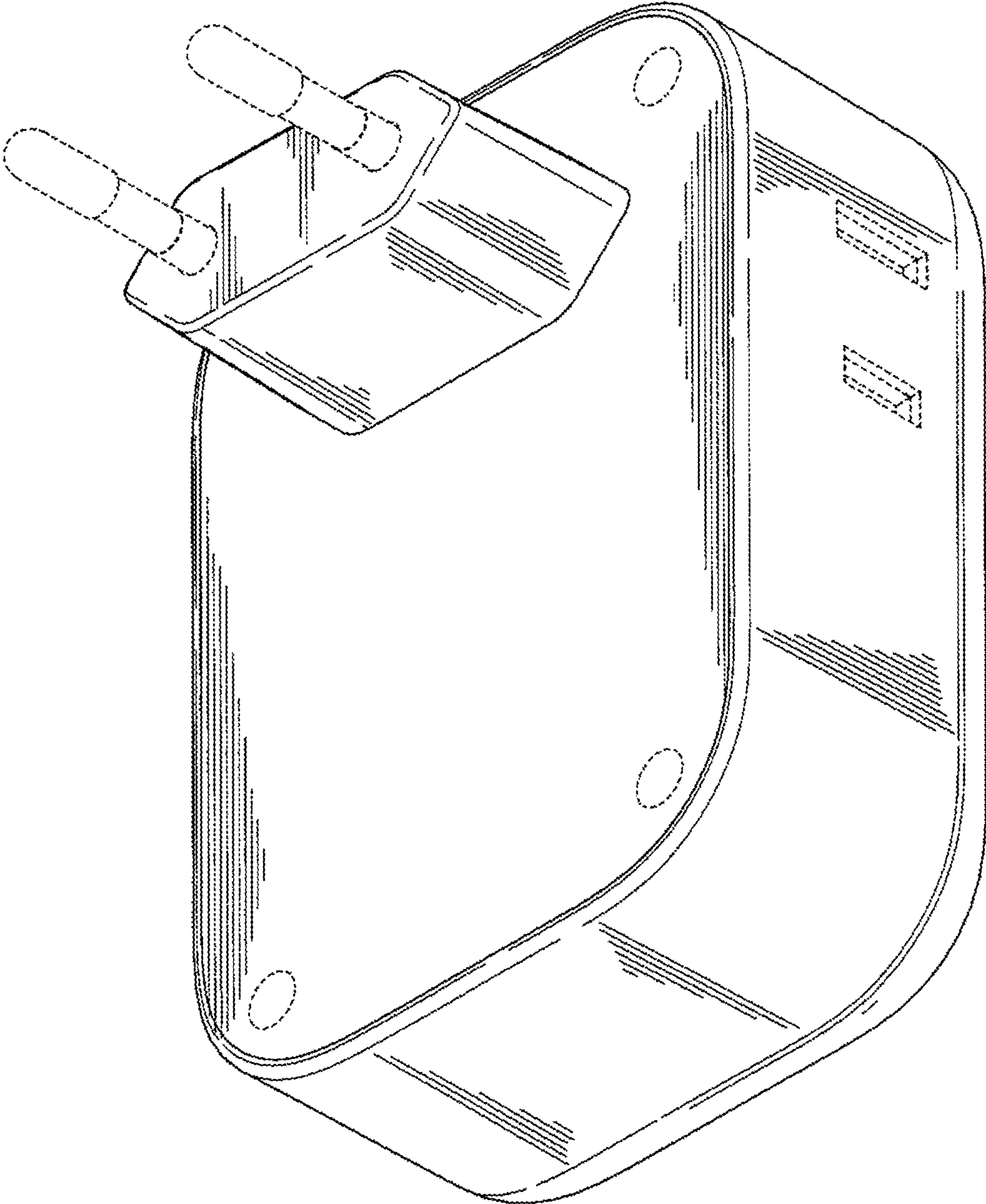


FIG. 2

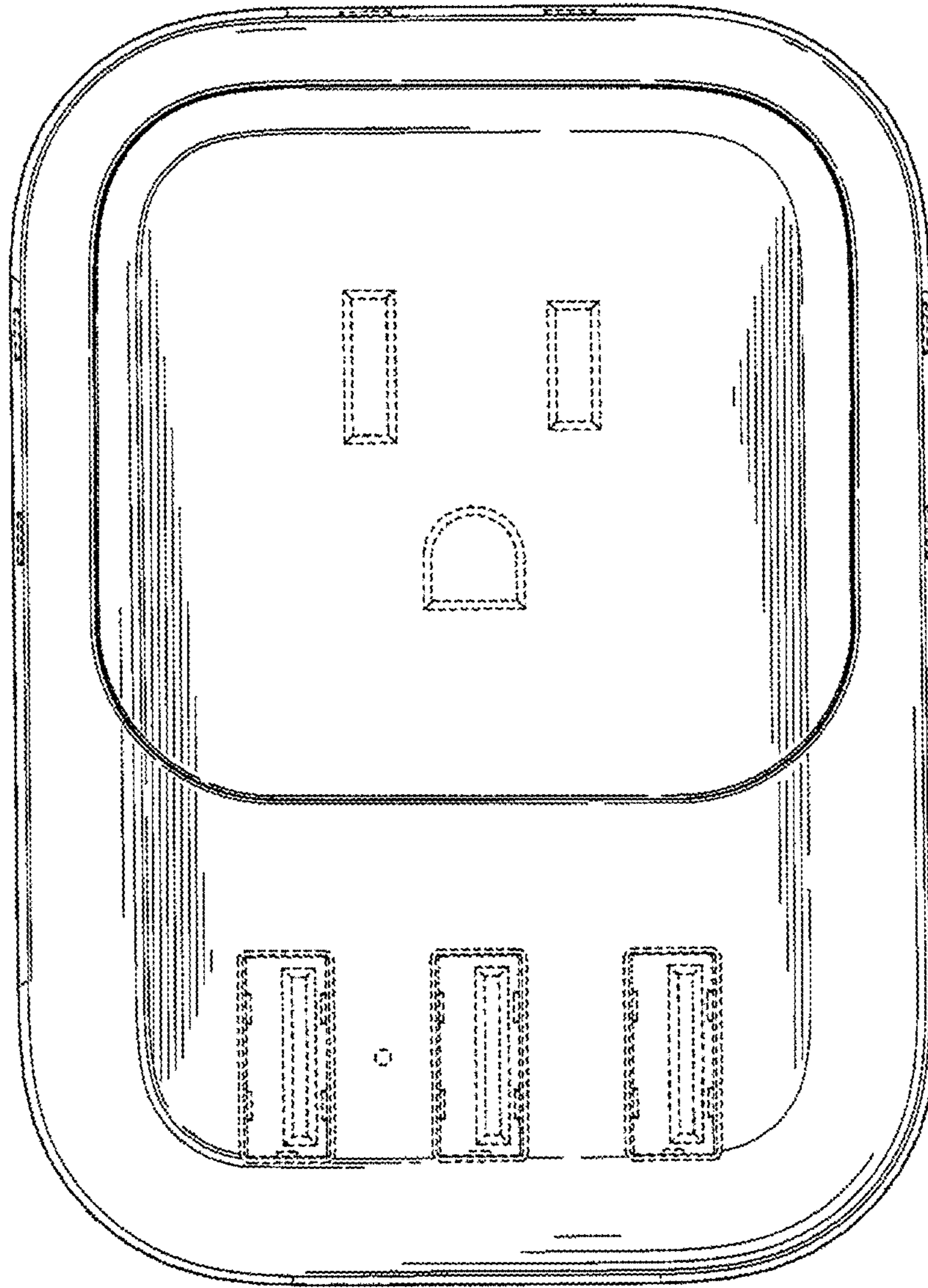


FIG. 3

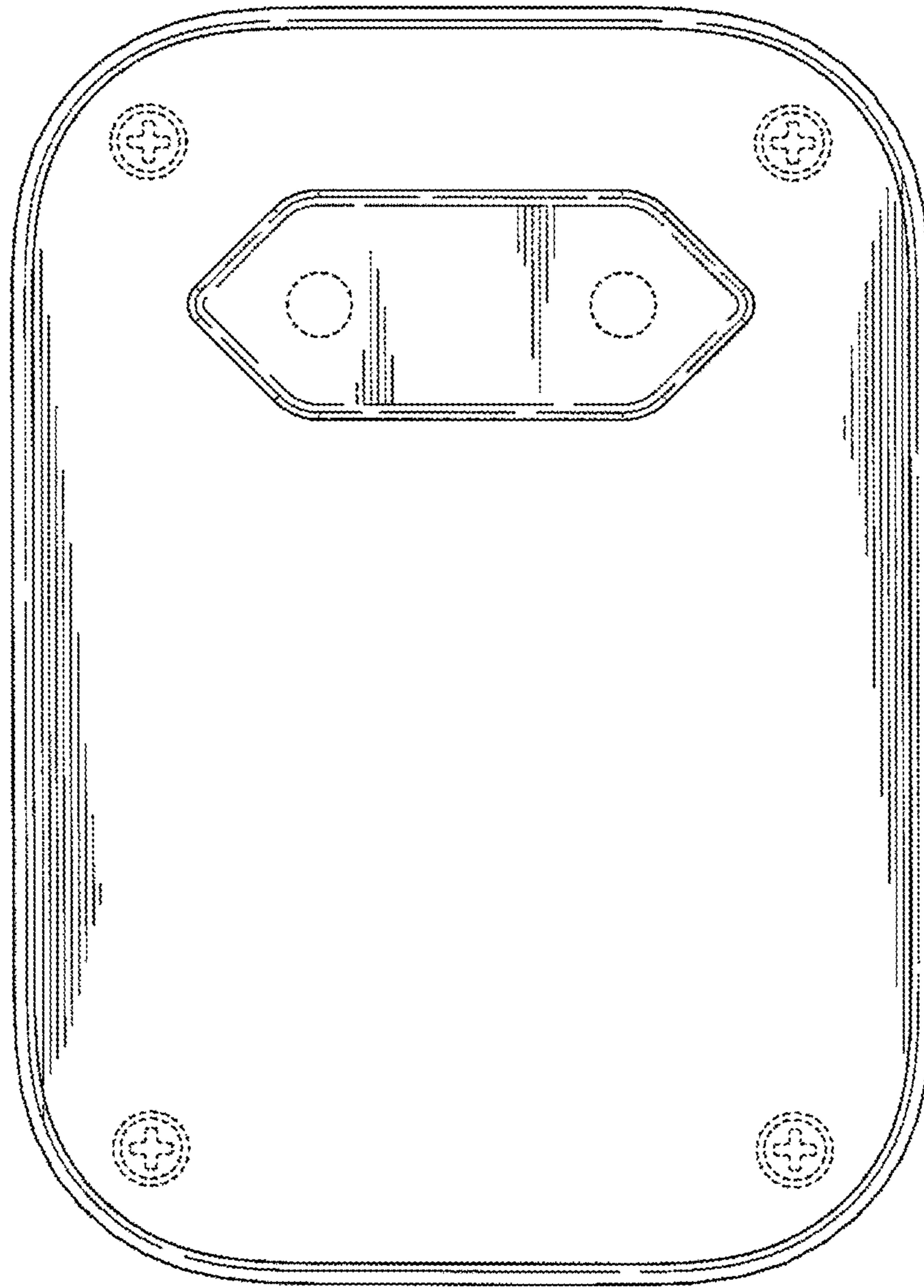


FIG. 4

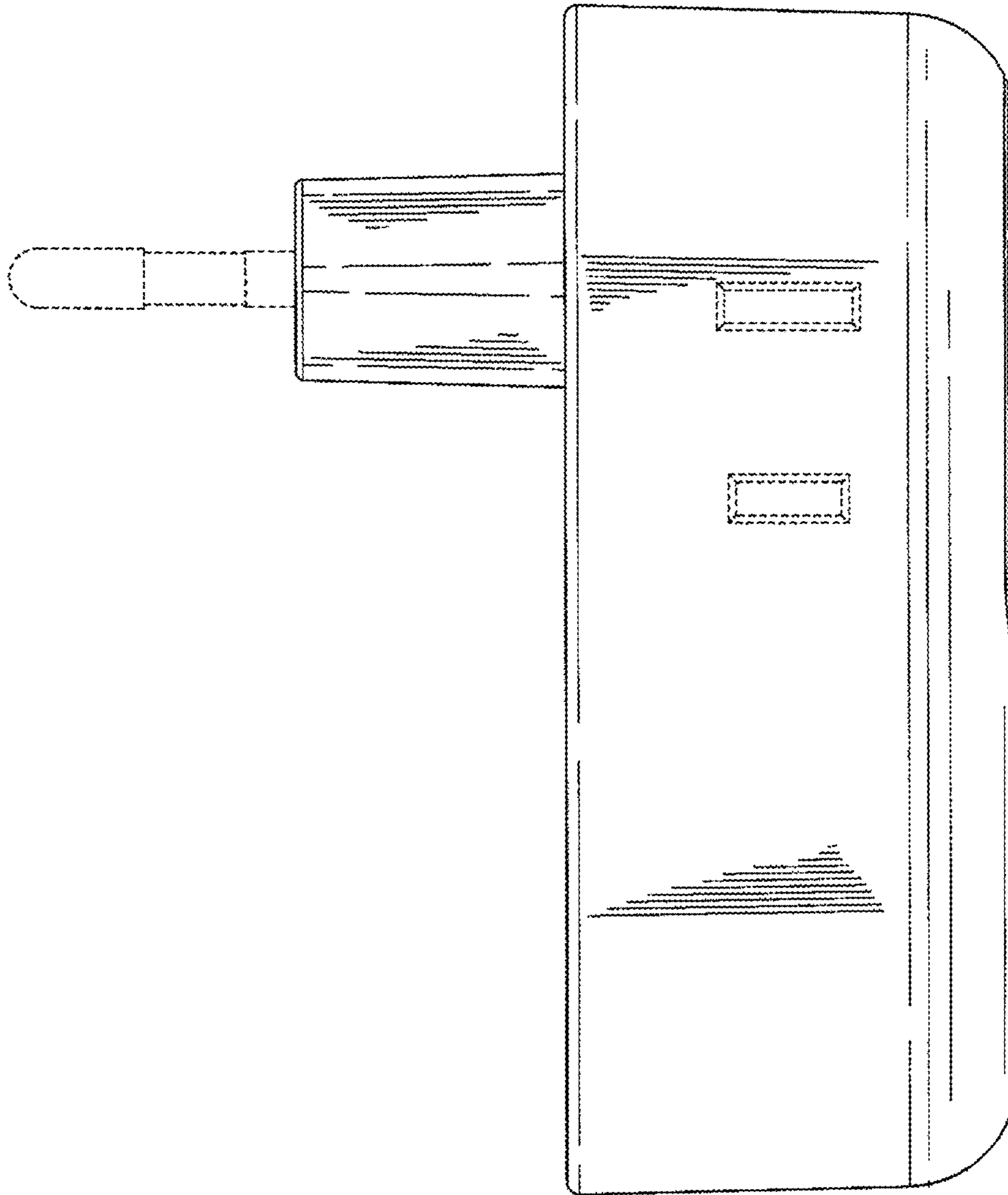


FIG. 5

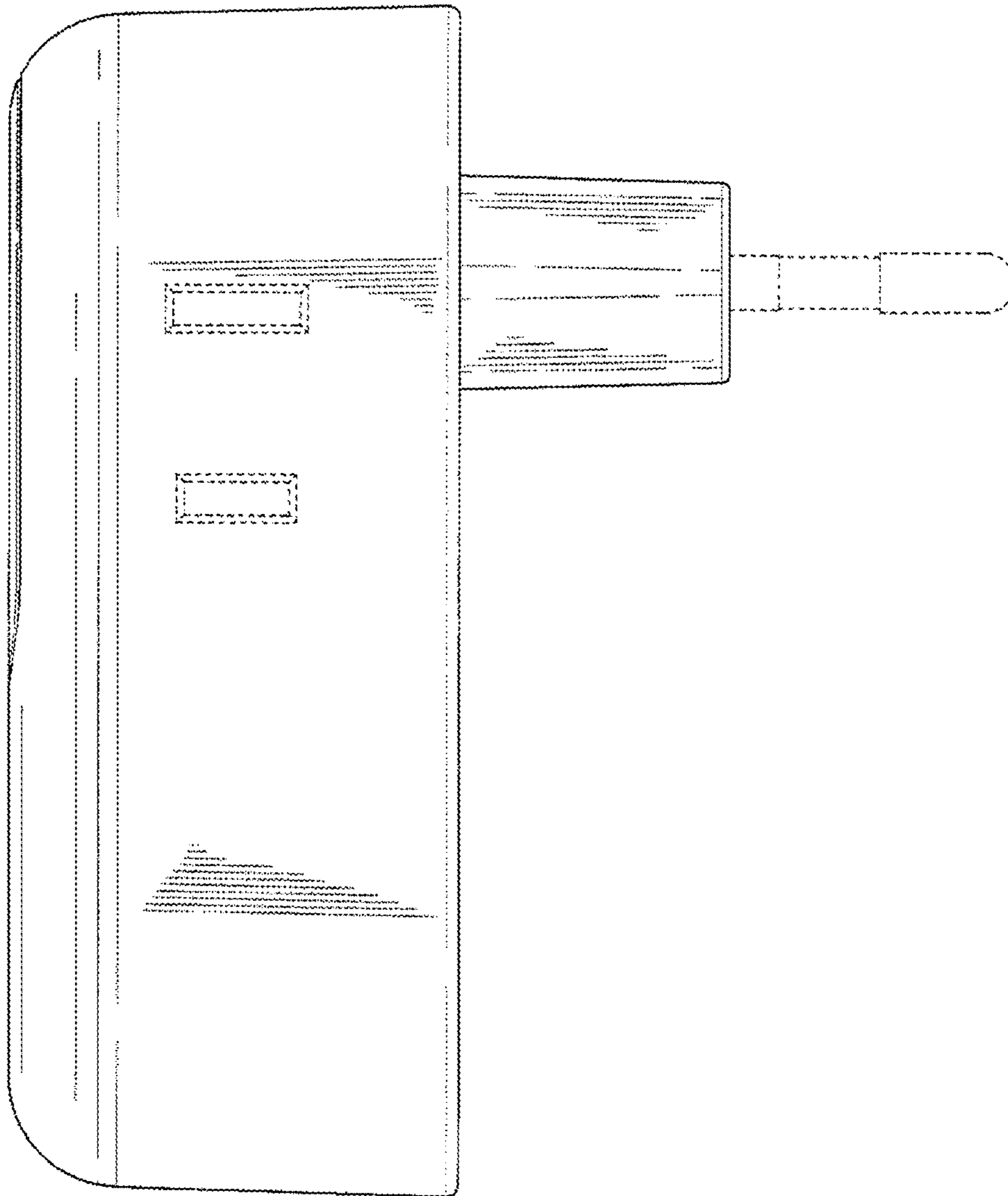


FIG. 6



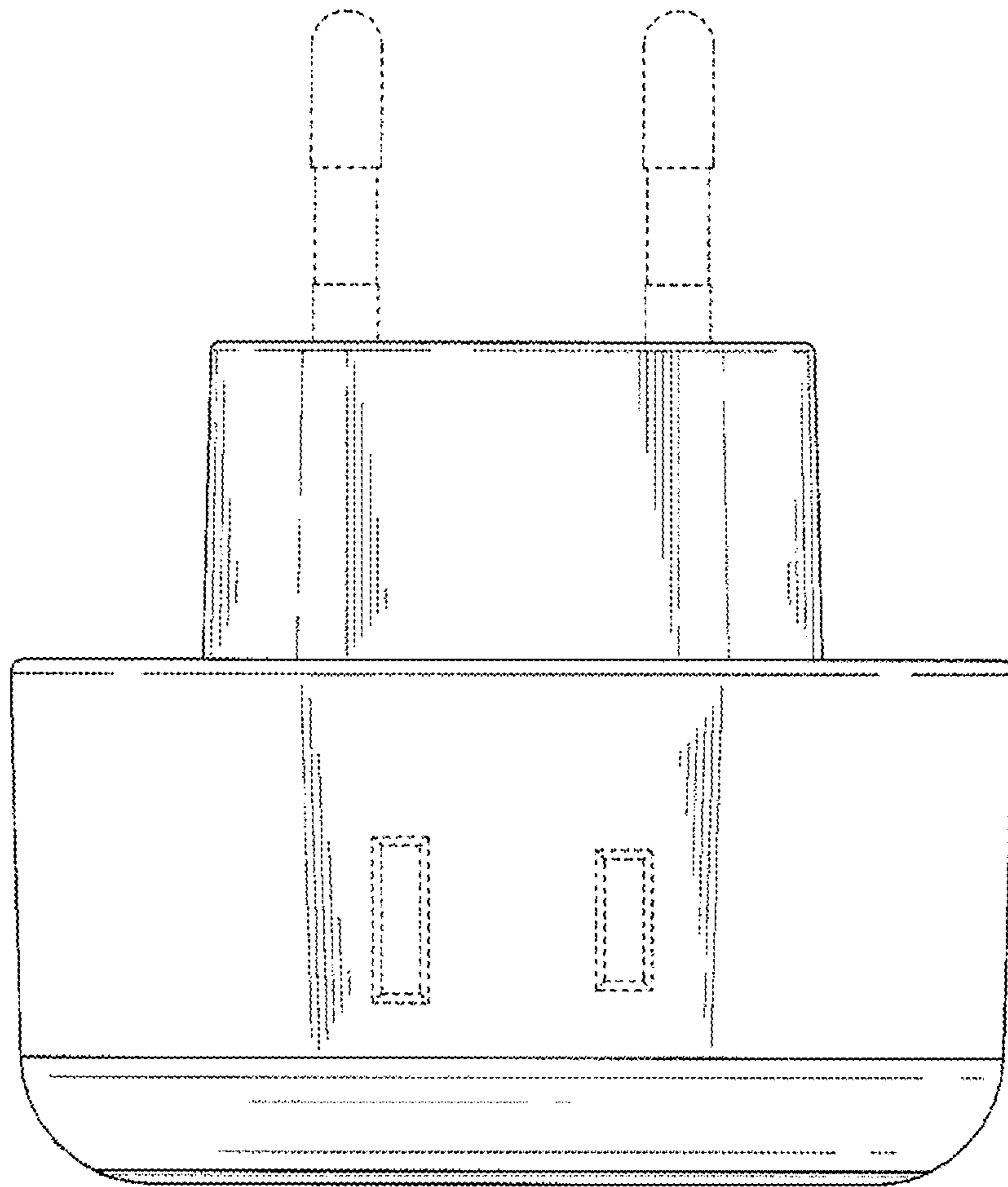


FIG. 7

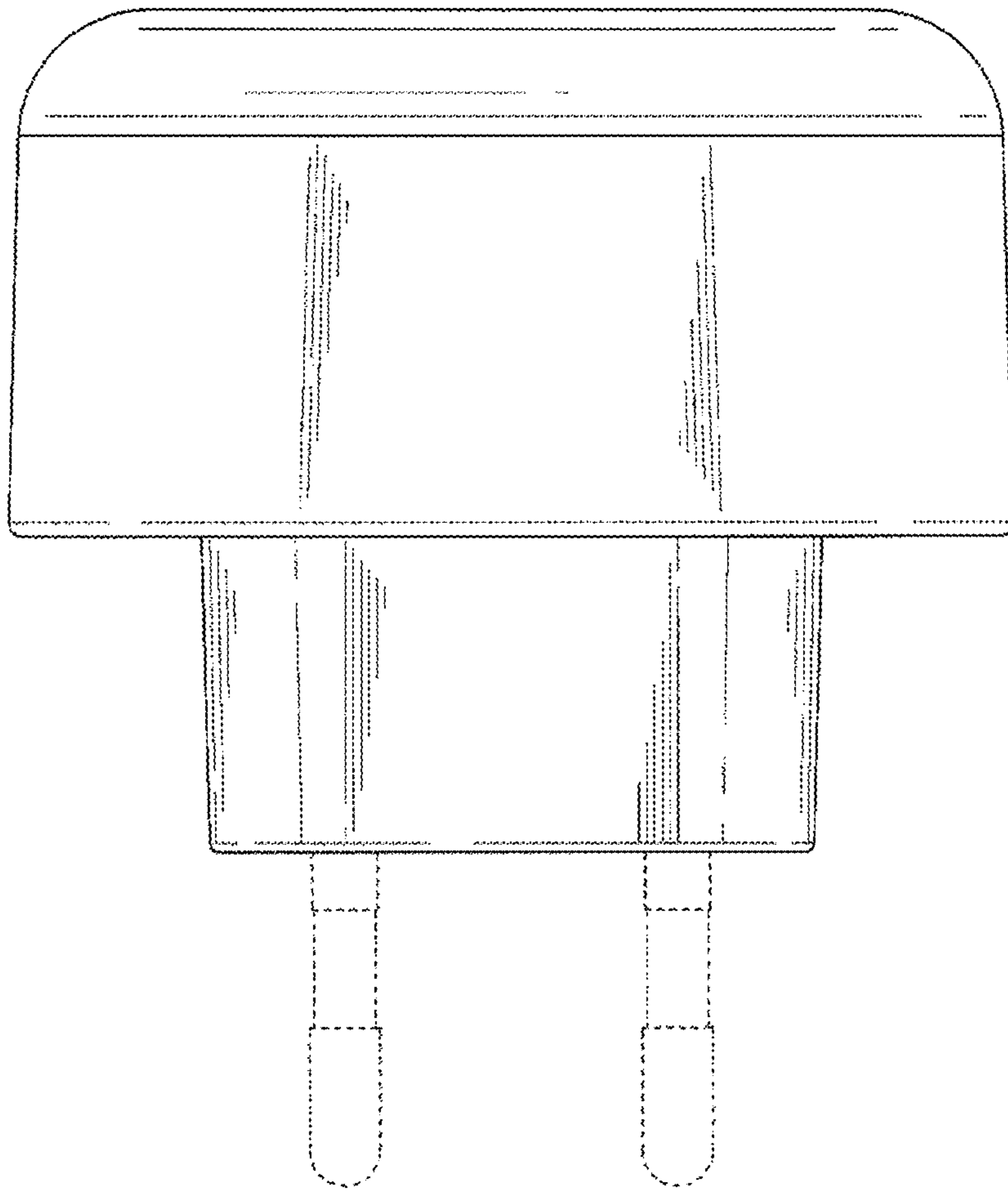


FIG. 8