

US00D909303S

(12) **United States Design Patent** (10) **Patent No.:** **US D909,303 S**
Tsao et al. (45) **Date of Patent:** **** Feb. 2, 2021**

(54) **BASE OF MAGNETIC COMPONENT**

(56) **References Cited**

(71) Applicant: **DELTA ELECTRONICS, INC.**,
Taoyuan (TW)
(72) Inventors: **Yue Tsao**, Taoyuan (TW); **Chun-Ching Yen**, Taoyuan (TW); **Kun-Te Chen**, Taoyuan (TW); **Mingqiang Zhu**, Taoyuan (TW); **Jian Xu**, Taoyuan (TW); **Hsien-Chun Peng**, Taoyuan (TW); **Zhi-Liang Zhang**, Taoyuan (TW)

U.S. PATENT DOCUMENTS

D330,189	S	*	10/1992	Burrow	D13/118
D435,953	S	*	1/2001	Lux, Jr.	D13/118
6,186,468	B1	*	2/2001	Schlegel	F16M 5/00 248/346.01
7,839,255	B2	*	11/2010	Nagano	H01F 3/10 336/221
9,236,178	B2	*	1/2016	Yang	H01F 17/04
D750,031	S	*	2/2016	Lord	D13/154
D779,429	S	*	2/2017	Yamada	D13/117
D830,972	S	*	10/2018	Numajiri	D13/117

* cited by examiner

(73) Assignee: **DELTA ELECTRONICS, INC.**,
Taoyuan (TW)

Primary Examiner — Derrick E Holland

(**) Term: **15 Years**

(74) *Attorney, Agent, or Firm* — Kirton McConkie; Evan R. Witt

(21) Appl. No.: **29/740,161**

(57) **CLAIM**

(22) Filed: **Jul. 1, 2020**

The ornamental design for a base of magnetic component, as shown and described.

DESCRIPTION

Related U.S. Application Data

(62) Division of application No. 29/635,738, filed on Feb. 2, 2018, now Pat. No. Des. 896,178.

(51) **LOC (13) Cl.** **13-02**

(52) **U.S. Cl.**
USPC **D13/118**

(58) **Field of Classification Search**
USPC D13/183, 101, 118, 119, 120, 121, 133,
D13/147, 154, 165, 179, 180, 182, 199
CPC H05K 7/00; H05K 9/0007; H05K 9/0075;
H01F 5/02; H01F 41/071; H01F 27/04;
H01F 27/24; H01F 27/26; H01F 27/28;
H01F 27/29

FIG. 1 is a perspective view of a base of magnetic component showing our new design;

FIG. 2 is another perspective view thereof;

FIG. 3 is a front elevational view thereof;

FIG. 4 is a rear elevational view thereof;

FIG. 5 is a left side elevational view thereof;

FIG. 6 is a right side elevational view thereof;

FIG. 7 is a top plan view thereof; and,

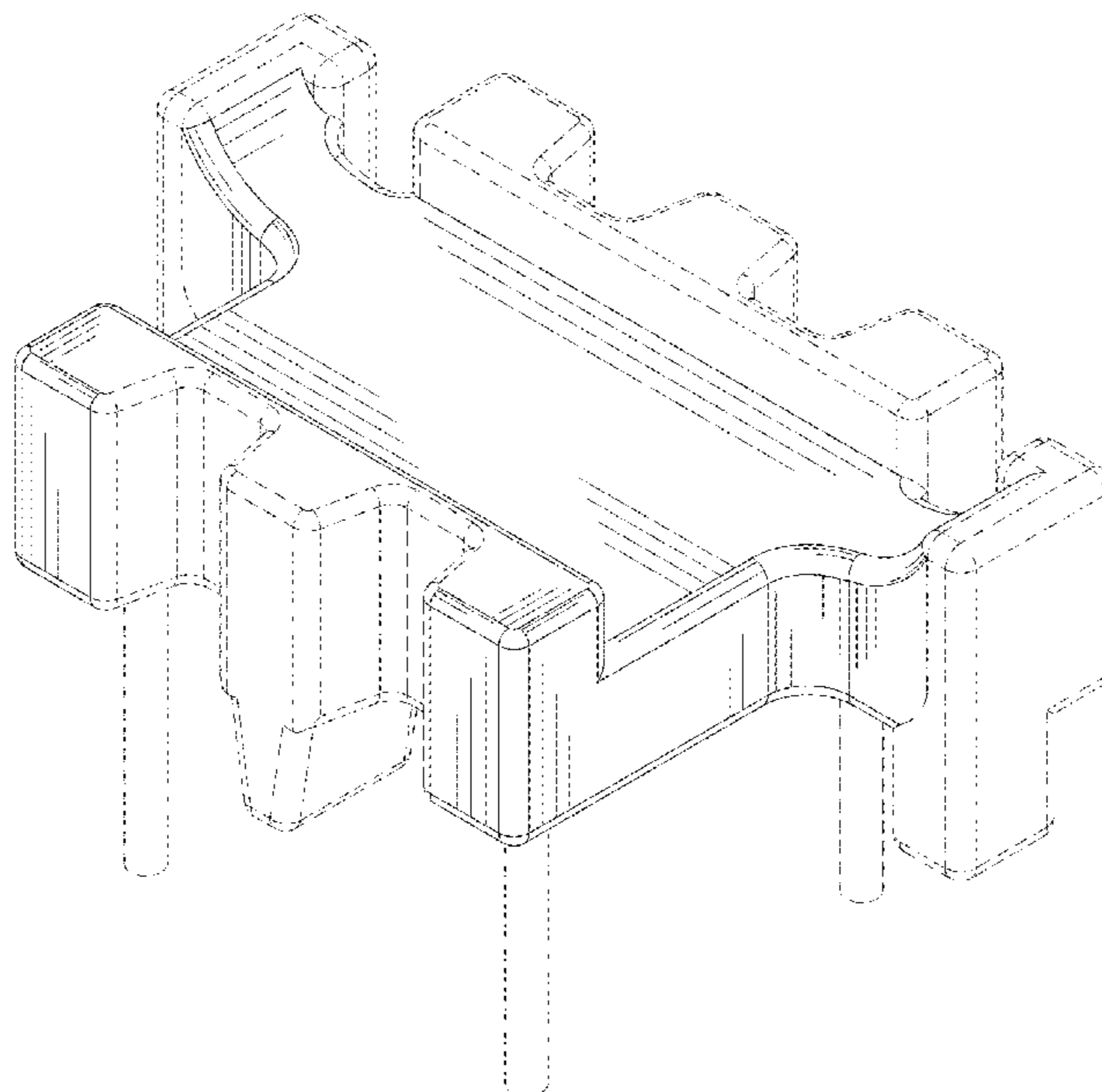
FIG. 8 is a bottom plan view thereof.

The dot-and-dash broken lines shown in FIGS. 1 and 3 denote the boundary of the claim and form no part of the claimed design.

The broken line portions in the drawing views are included to show unclaimed subject matter only and form no part of the claimed design.

See application file for complete search history.

1 Claim, 8 Drawing Sheets



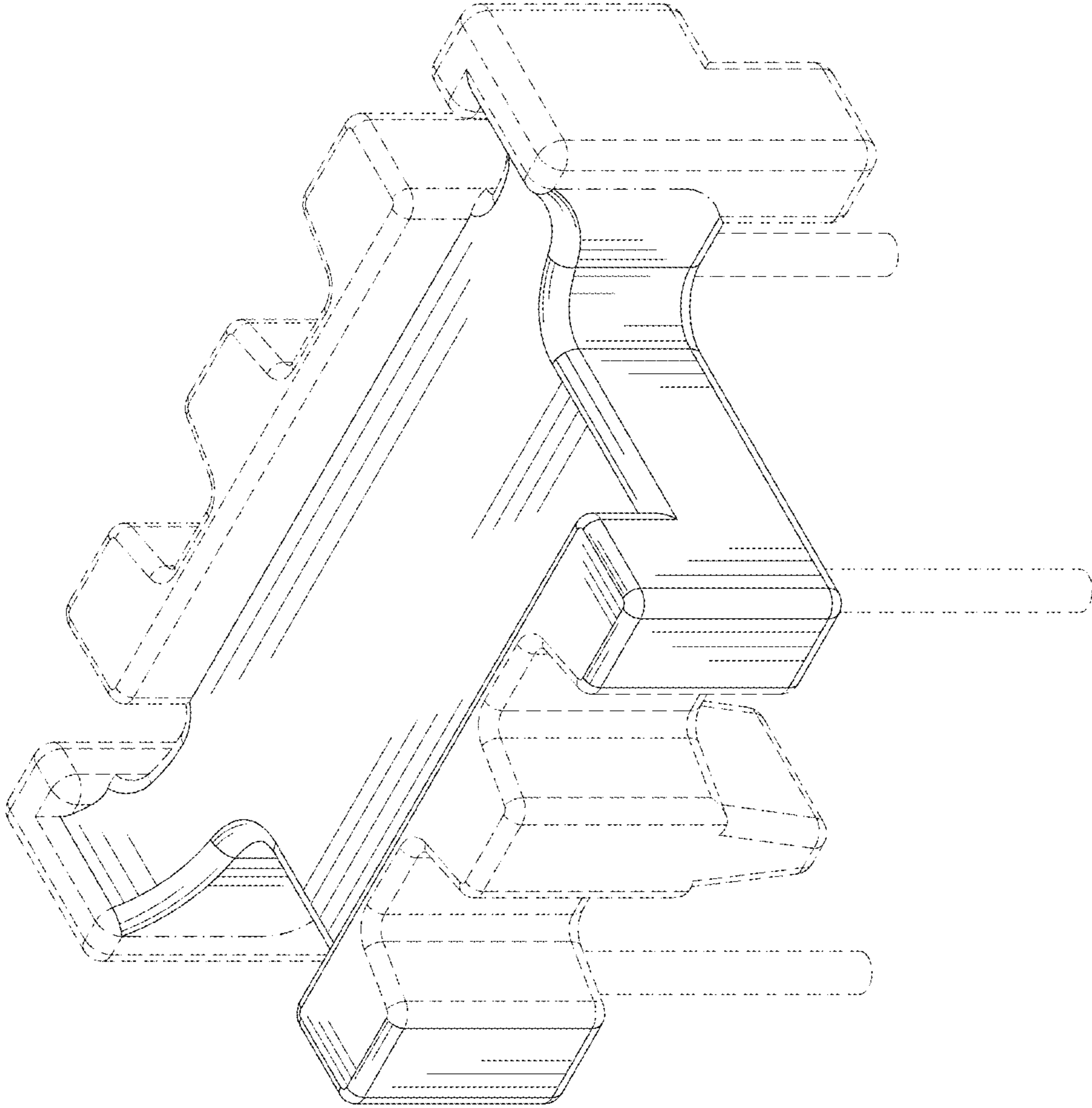


FIG. 1

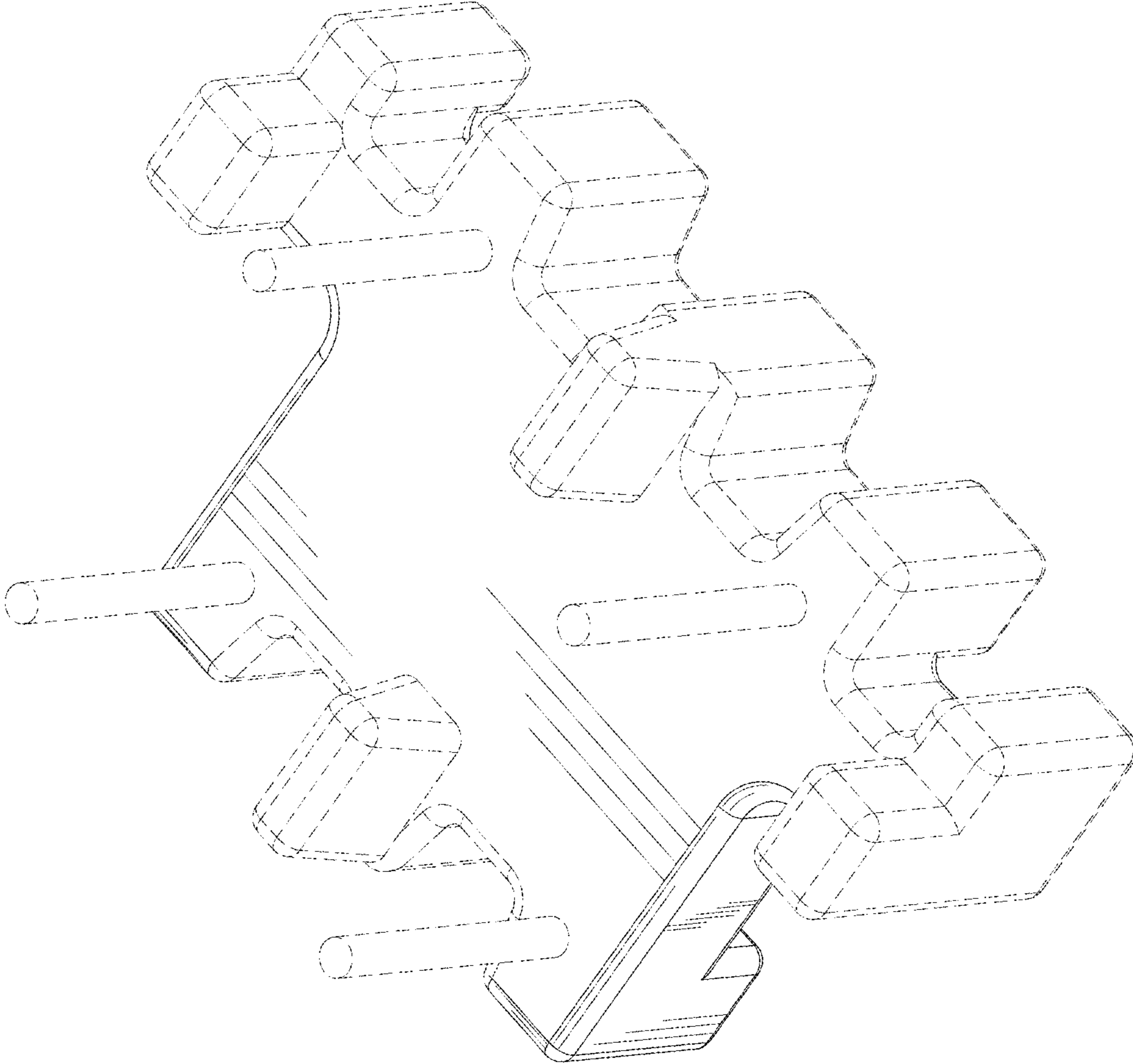


FIG. 2

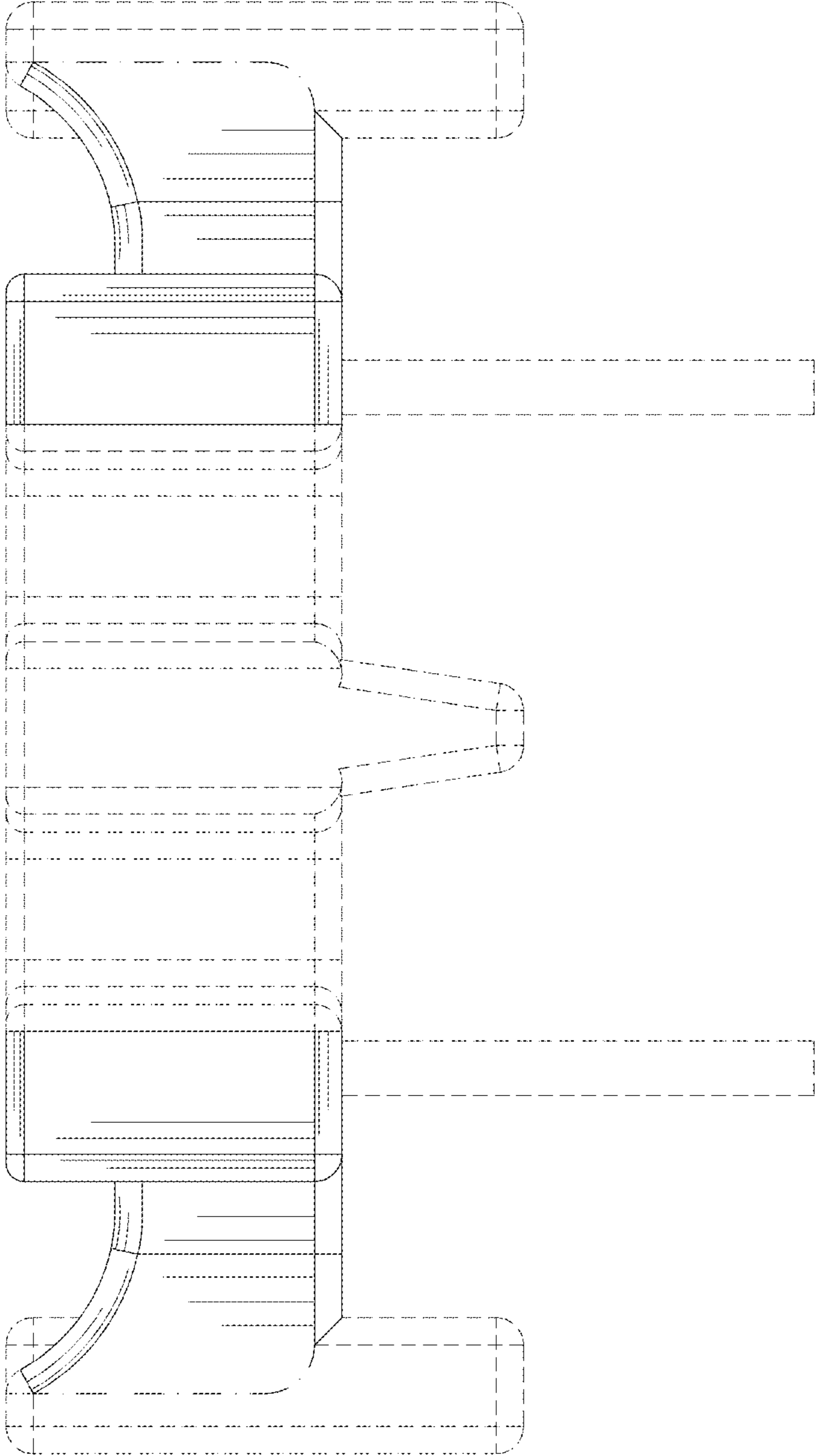


FIG. 3

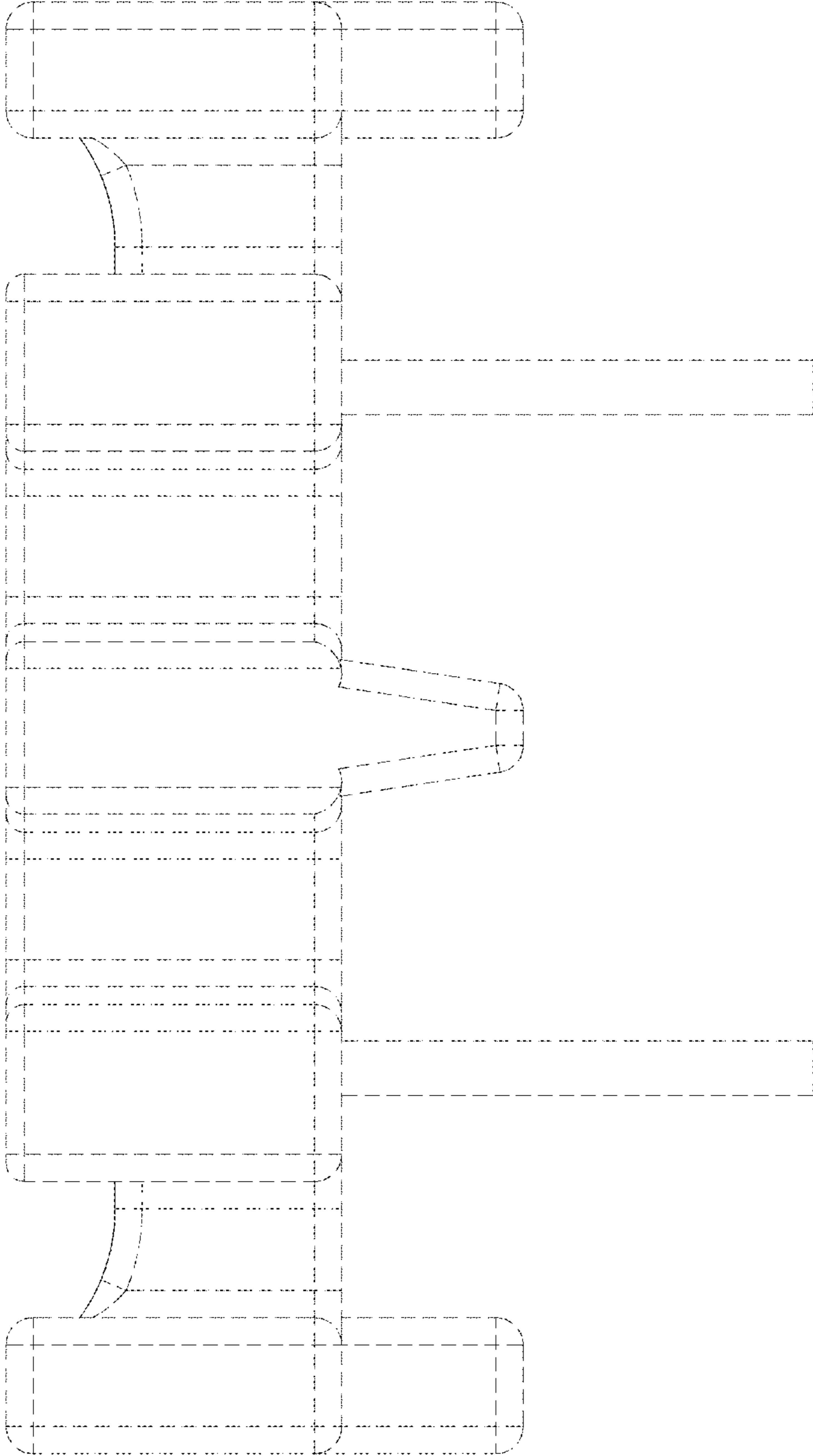


FIG. 4

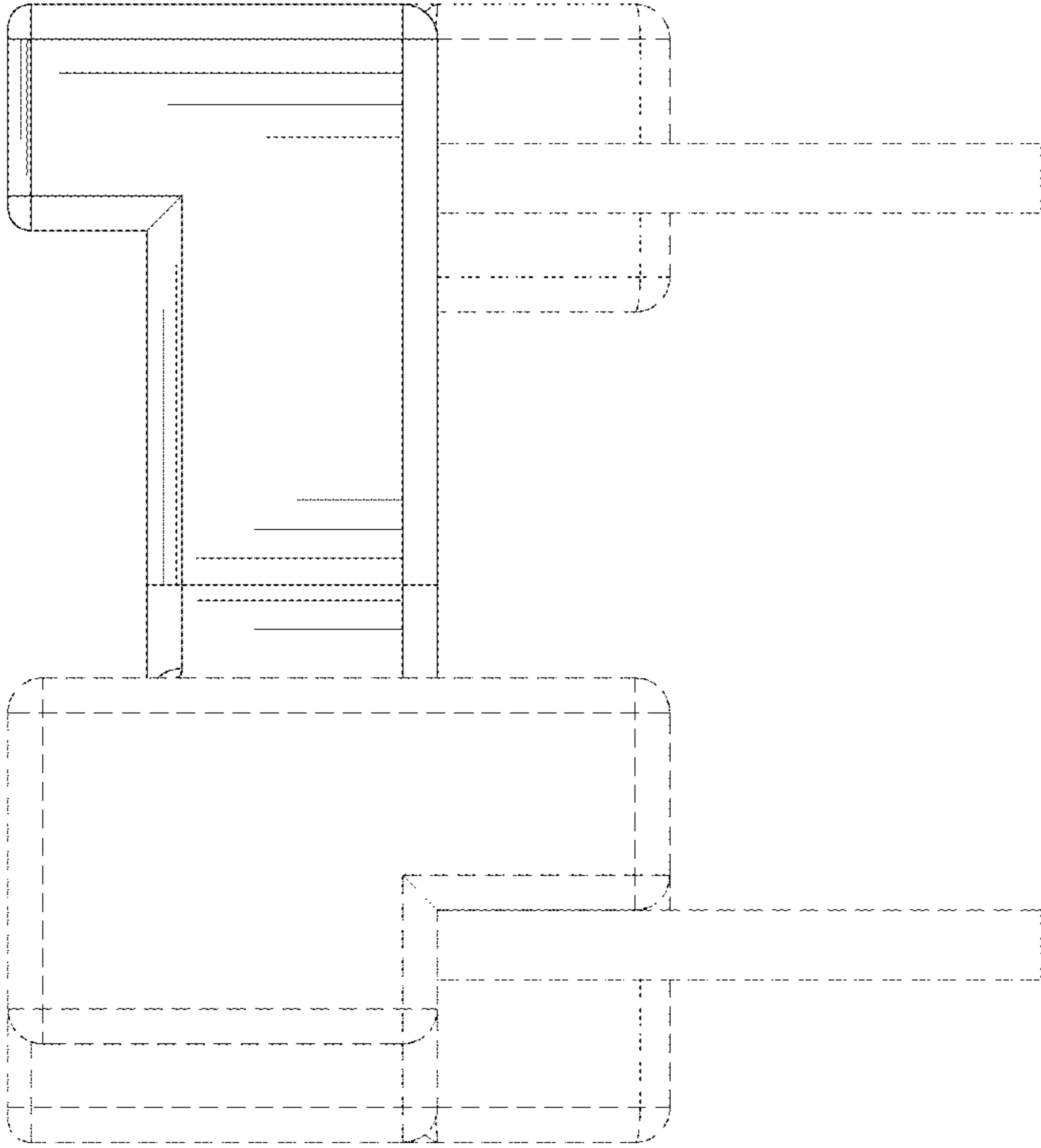


FIG. 5

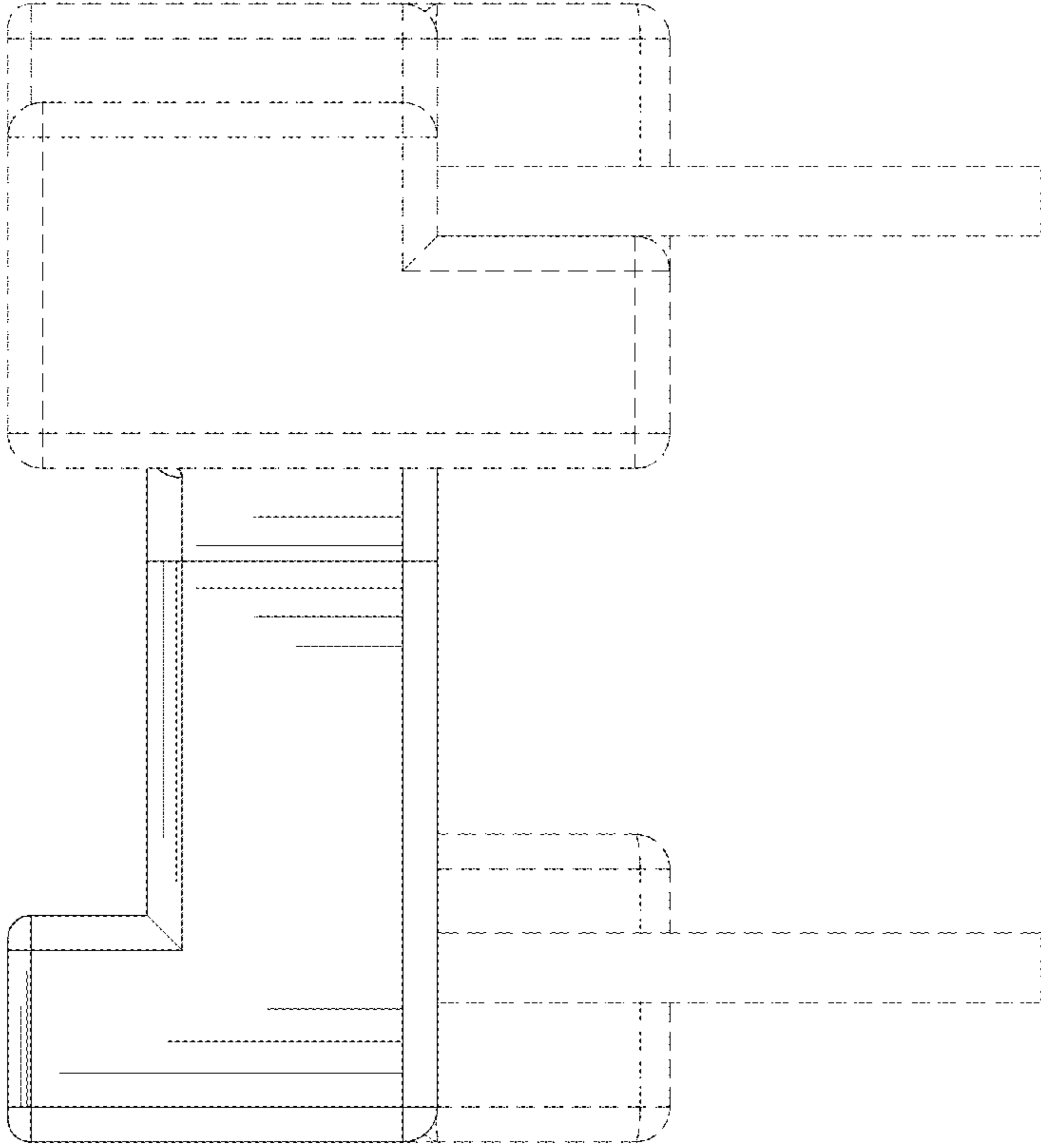


FIG. 6

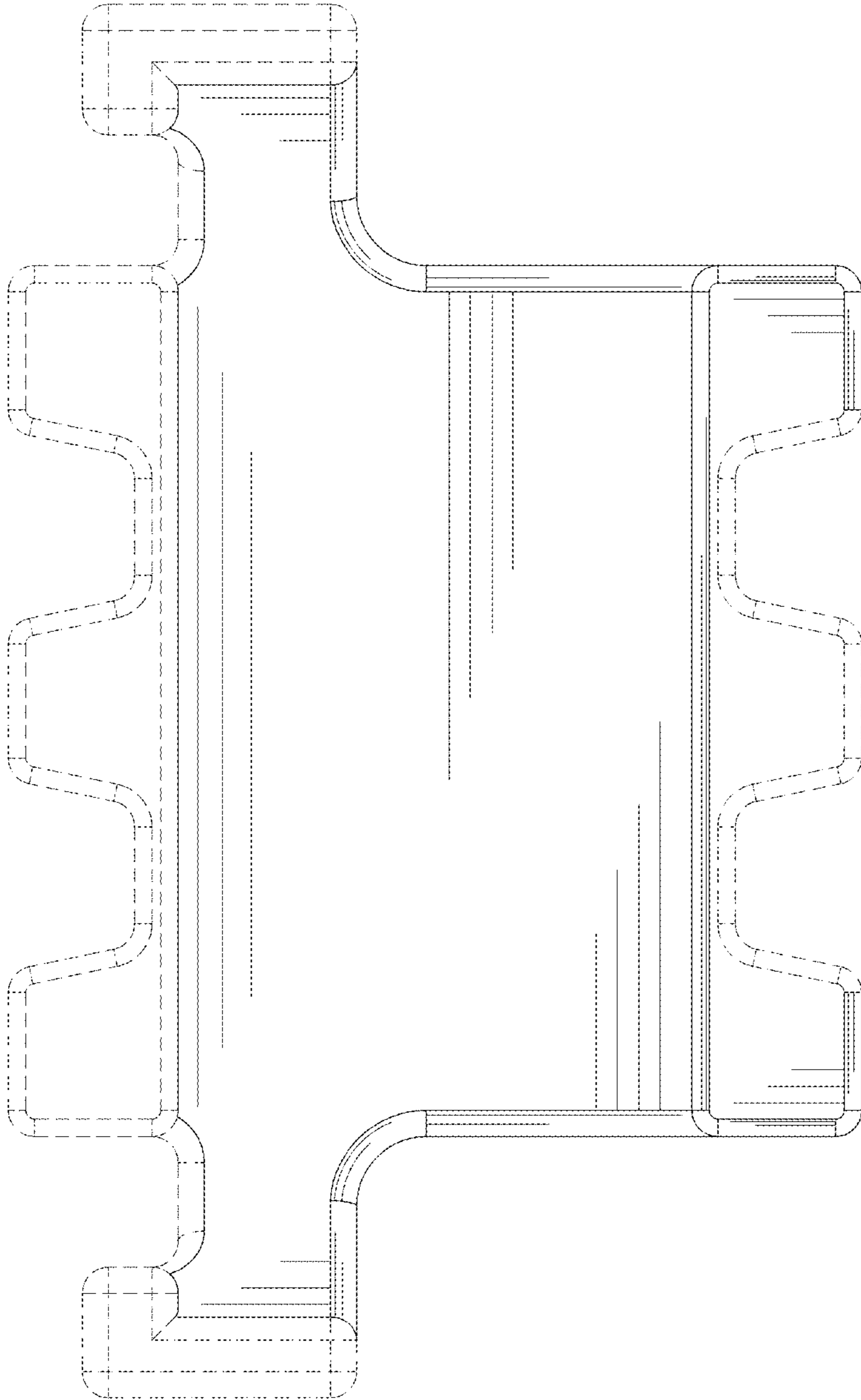


FIG. 7

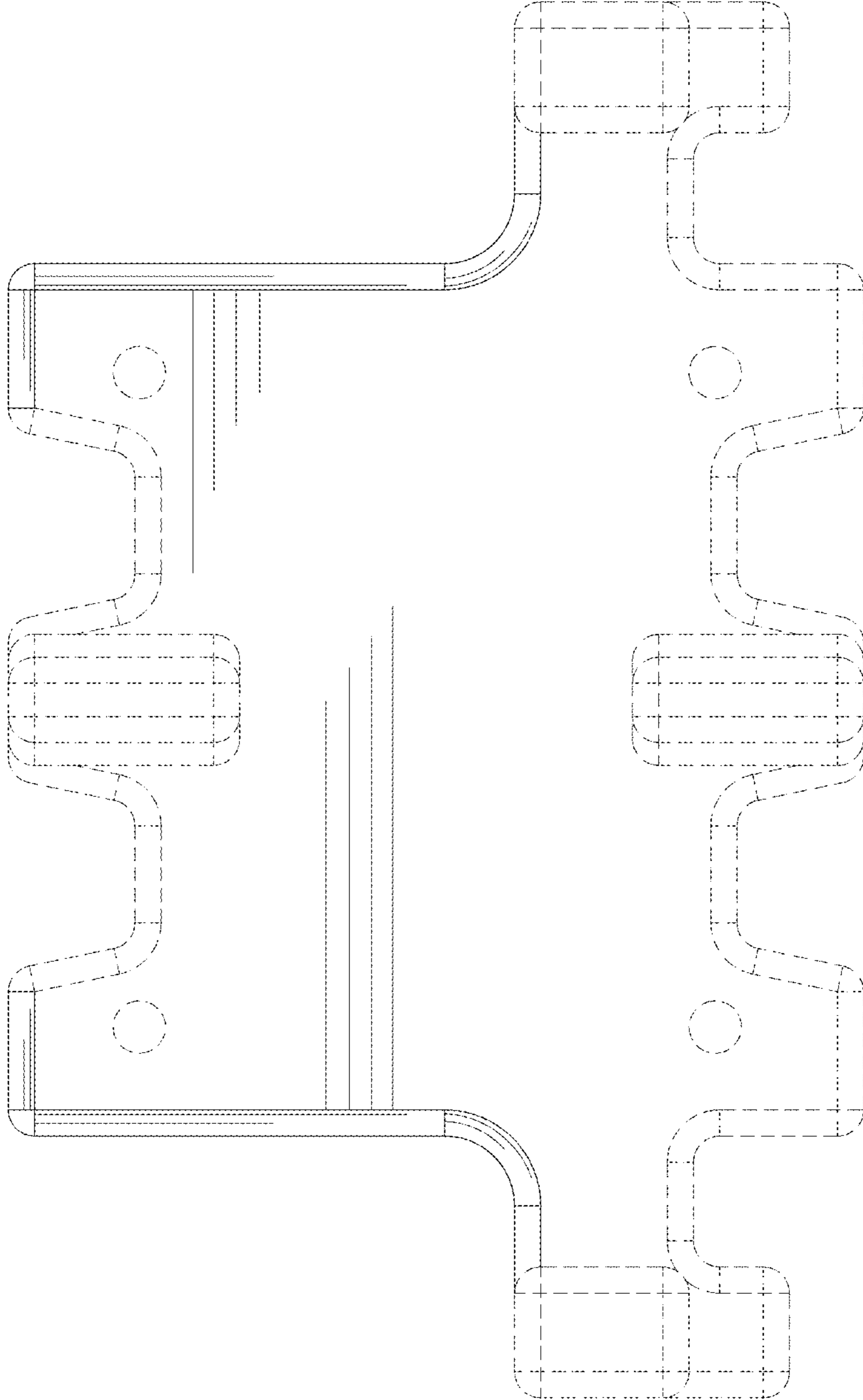


FIG. 8