



US00D909302S

(12) **United States Design Patent** (10) **Patent No.:** **US D909,302 S**
Kesby (45) **Date of Patent:** **** Feb. 2, 2021**

(54) **WIND TURBINE**

(71) Applicant: **Joss Kesby**, Mayfield (AU)

(72) Inventor: **Joss Kesby**, Mayfield (AU)

(**) Term: **15 Years**

(21) Appl. No.: **29/682,454**

(22) Filed: **Mar. 5, 2019**

(30) **Foreign Application Priority Data**

Sep. 7, 2018 (AU) 201815400

(51) **LOC (13) Cl.** **13-01**

(52) **U.S. Cl.**
USPC **D13/115**

(58) **Field of Classification Search**
USPC D13/115-118; D25/126, 131, 132;
D23/370, 377, 382
CPC F03D 1/00; F03D 1/04; F03D 3/00; F03D
3/06; F03D 7/06; F03D 13/20; F03D
80/00

See application file for complete search history.

(56) **References Cited**

U.S. PATENT DOCUMENTS

D240,810 S *	8/1976	Meyerhoff	D12/214
D419,518 S *	1/2000	Harrison	D12/214
D487,060 S *	2/2004	Ehrenberger	D13/115
D566,829 S *	4/2008	Parker	D23/411
D665,736 S *	8/2012	Presz, Jr.	D13/115
D665,738 S *	8/2012	Presz, Jr.	D13/115
D678,836 S *	3/2013	Presz, Jr.	D13/115
D699,676 S *	2/2014	Drach	D13/115
D710,303 S *	8/2014	Liao	D13/115
D801,927 S *	11/2017	Cooper, II	D13/115
D829,172 S *	9/2018	Cooper	D13/115
D876,351 S *	2/2020	Lee	D13/115
2011/0229302 A1 *	9/2011	Presz, Jr.	F03D 1/04 415/1
2014/0291991 A1 *	10/2014	Kerr, Jr.	F03D 9/25 290/55

OTHER PUBLICATIONS

Meet the ON graduates_ Diffuse Energy—YouTube, published on Sep. 11, 2018, retrieved on Jun. 28, 2020, retrieved from the Internet URL: <https://www.youtube.com/watch?v=auWnzG2gy5s>.
Diffuse Energy, Facebook update on Apr. 12, 2018, retrieved on Jun. 28, 2020, retrieved from the Internet URL: <https://www.facebook.com/DiffuseEnergy/>.*

* cited by examiner

Primary Examiner — Jennifer Rivard

Assistant Examiner — Alison M Ofstun

(74) *Attorney, Agent, or Firm* — Concept IP LLP; Pejman Yedidsion

(57) **CLAIM**

The ornamental design for a wind turbine, as shown and described.

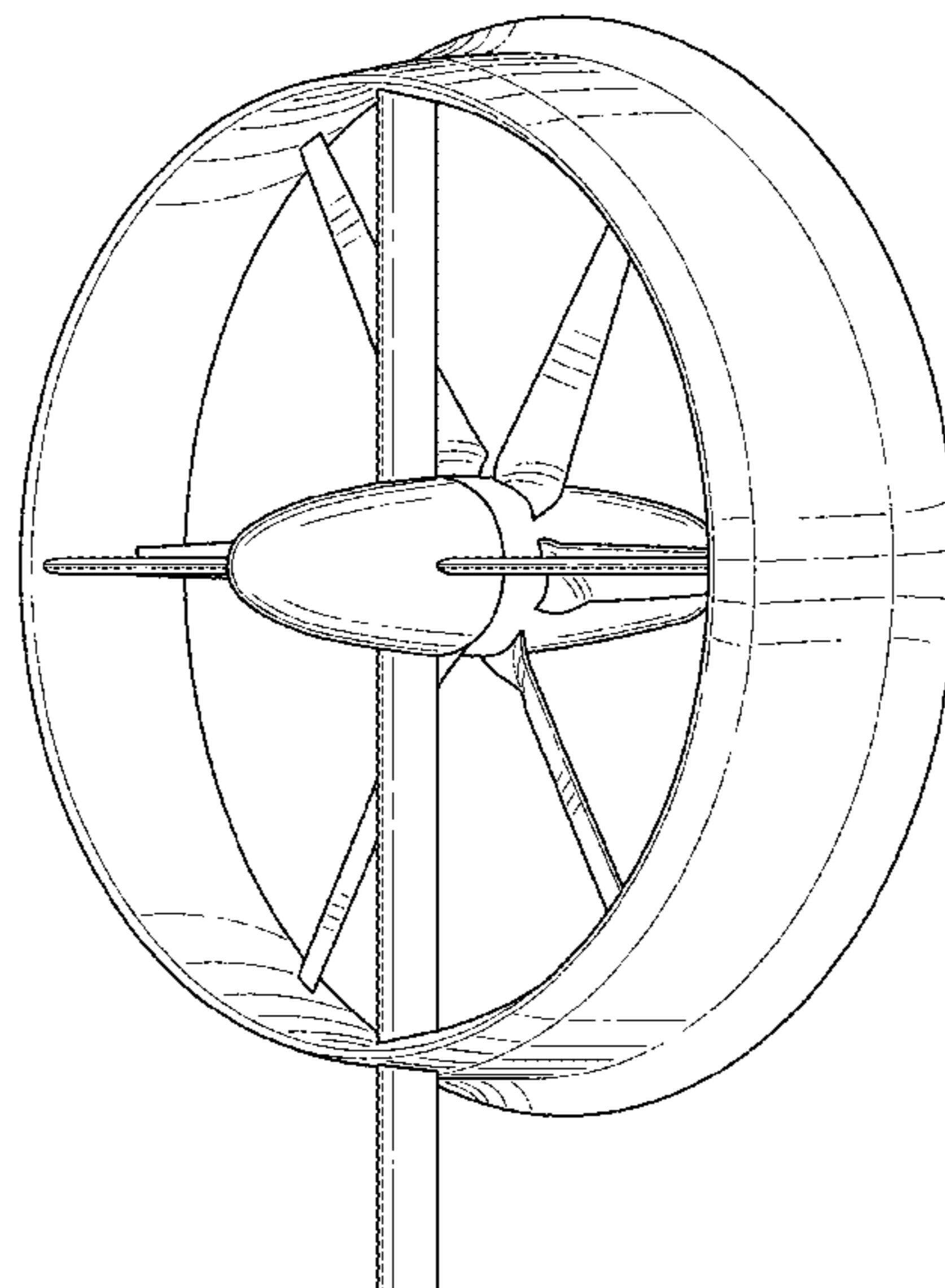
DESCRIPTION

FIG. 1 is a perspective view of a wind turbine showing my new design;
FIG. 2 is a front elevational view thereof;
FIG. 3 is a bottom plan view thereof;
FIG. 4 is a left side elevational view thereof, the right side elevational view being a mirror image thereof;
FIG. 5 is a front elevational view thereof, shown with the diffuser removed to show portions of the design that are not clearly visible when combined;
FIG. 6 is a left side elevational view thereof; and,
FIG. 7 is a top plan view thereof.

The surface shading is used to shade FIGS. 1-7 to show clearly the character and contour of all surfaces of the 3-dimensional aspects of the design and form a part of the design sought to be protected.

In the drawings, the broken lines illustrate portions of the article which form no part of the claimed design.

1 Claim, 7 Drawing Sheets



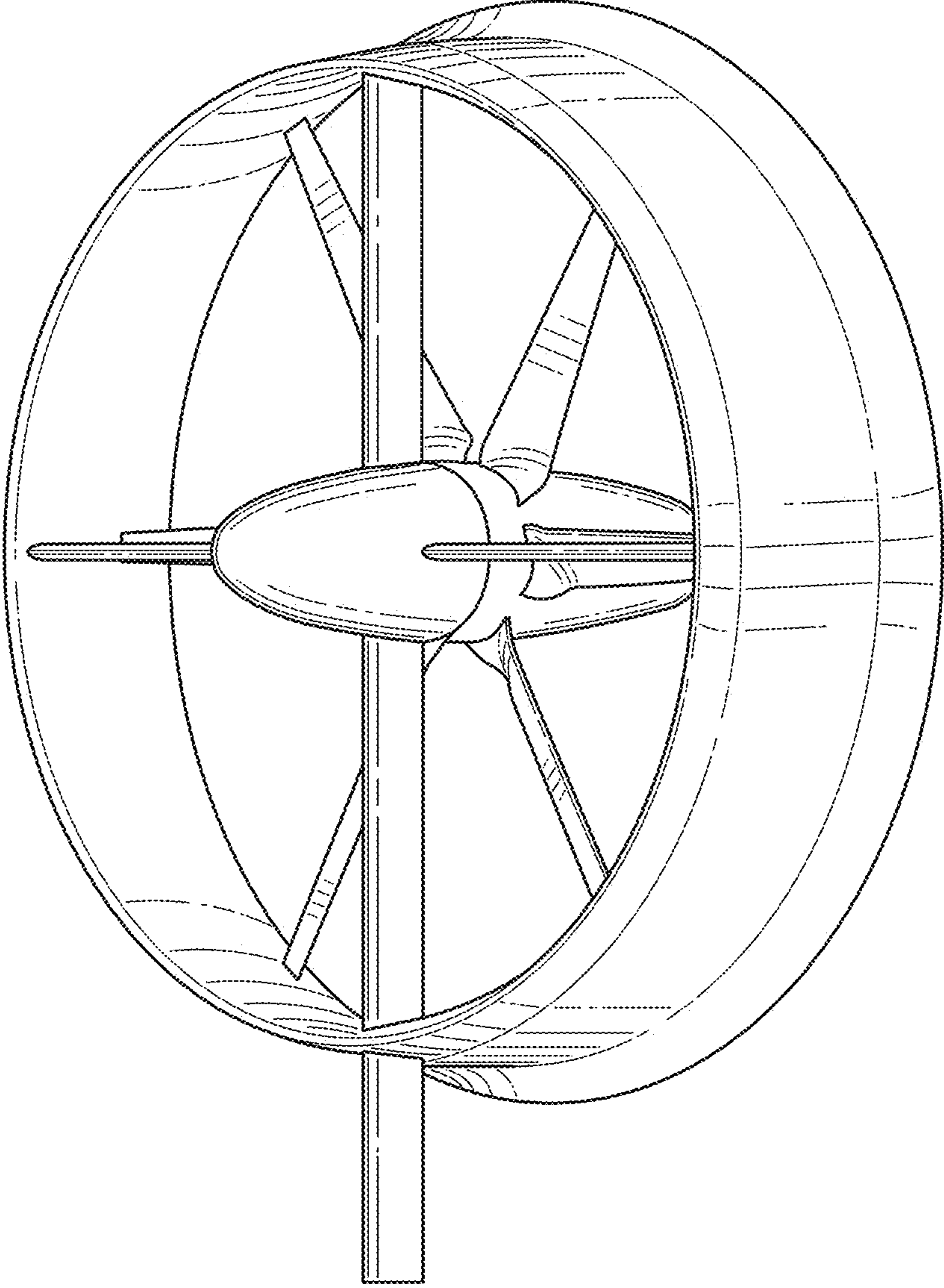


FIG. 1

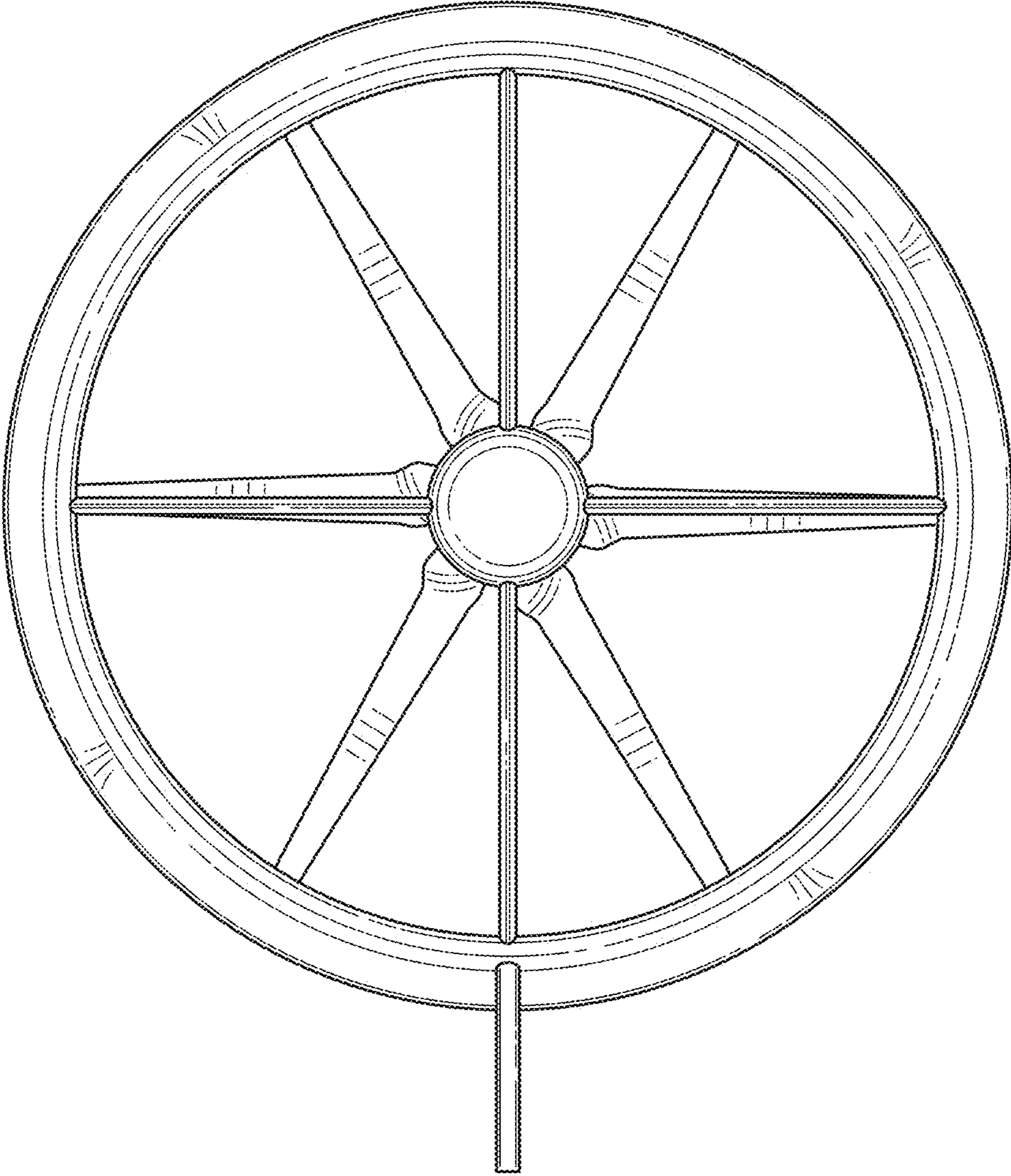


FIG. 2

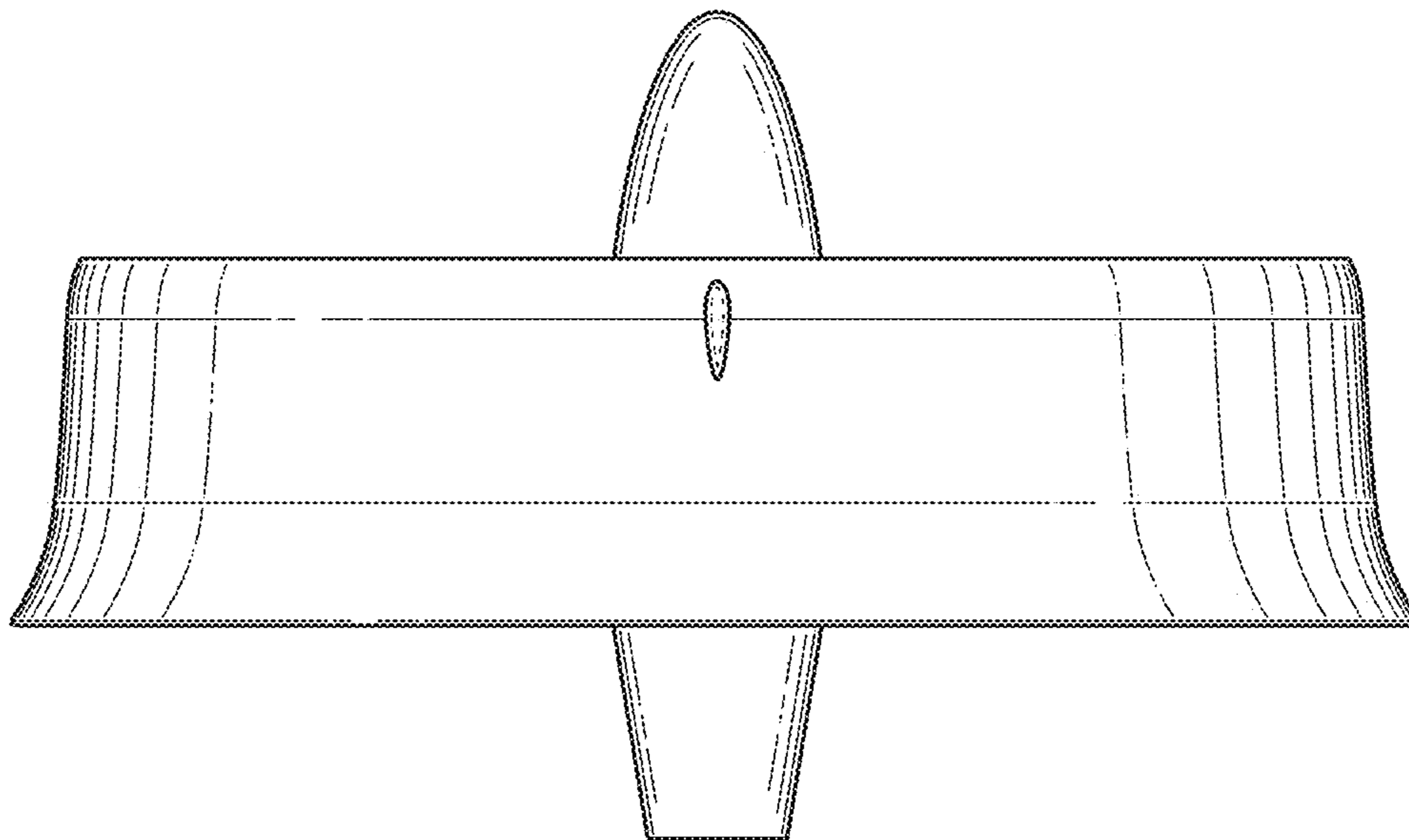


FIG. 3

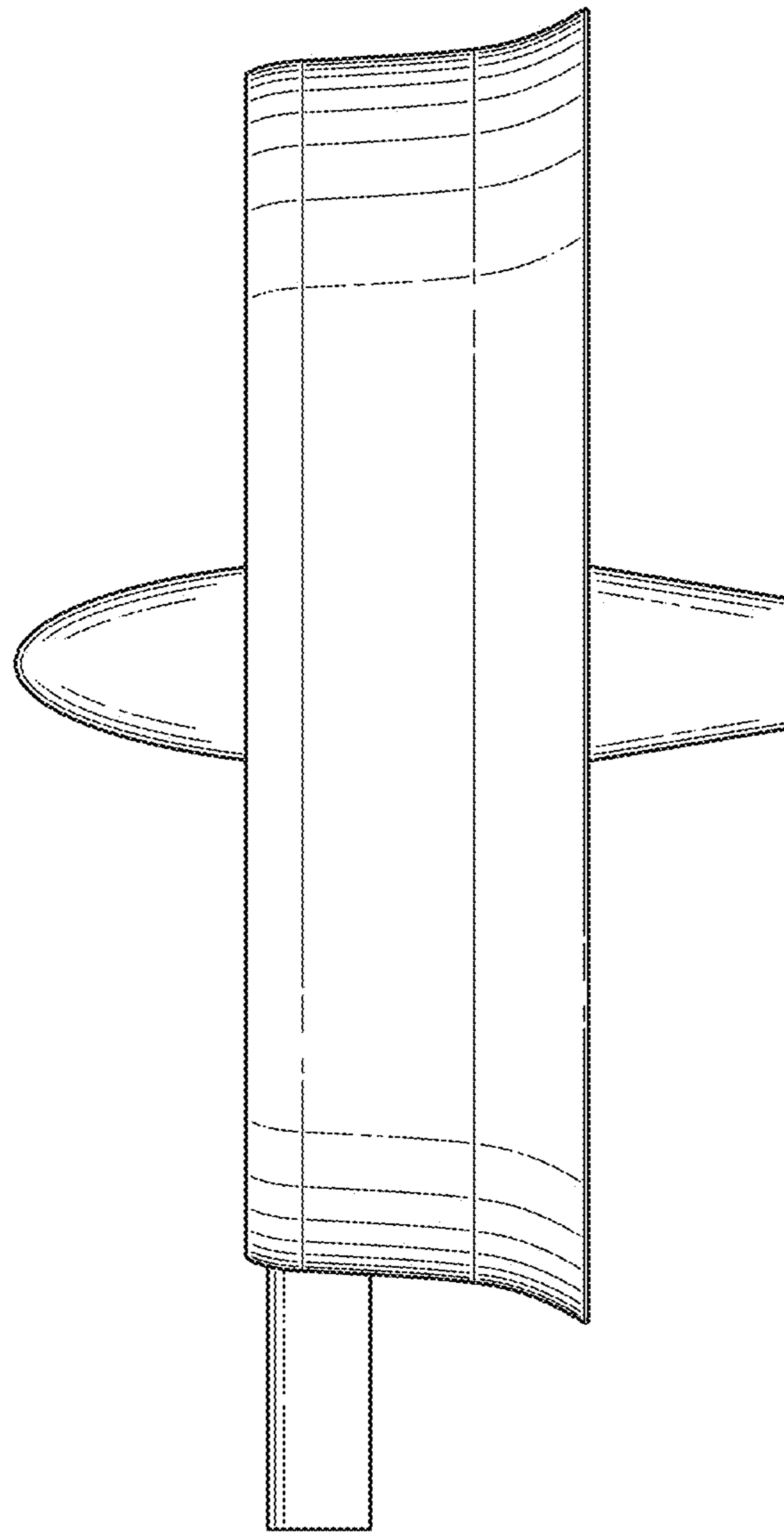


FIG. 4

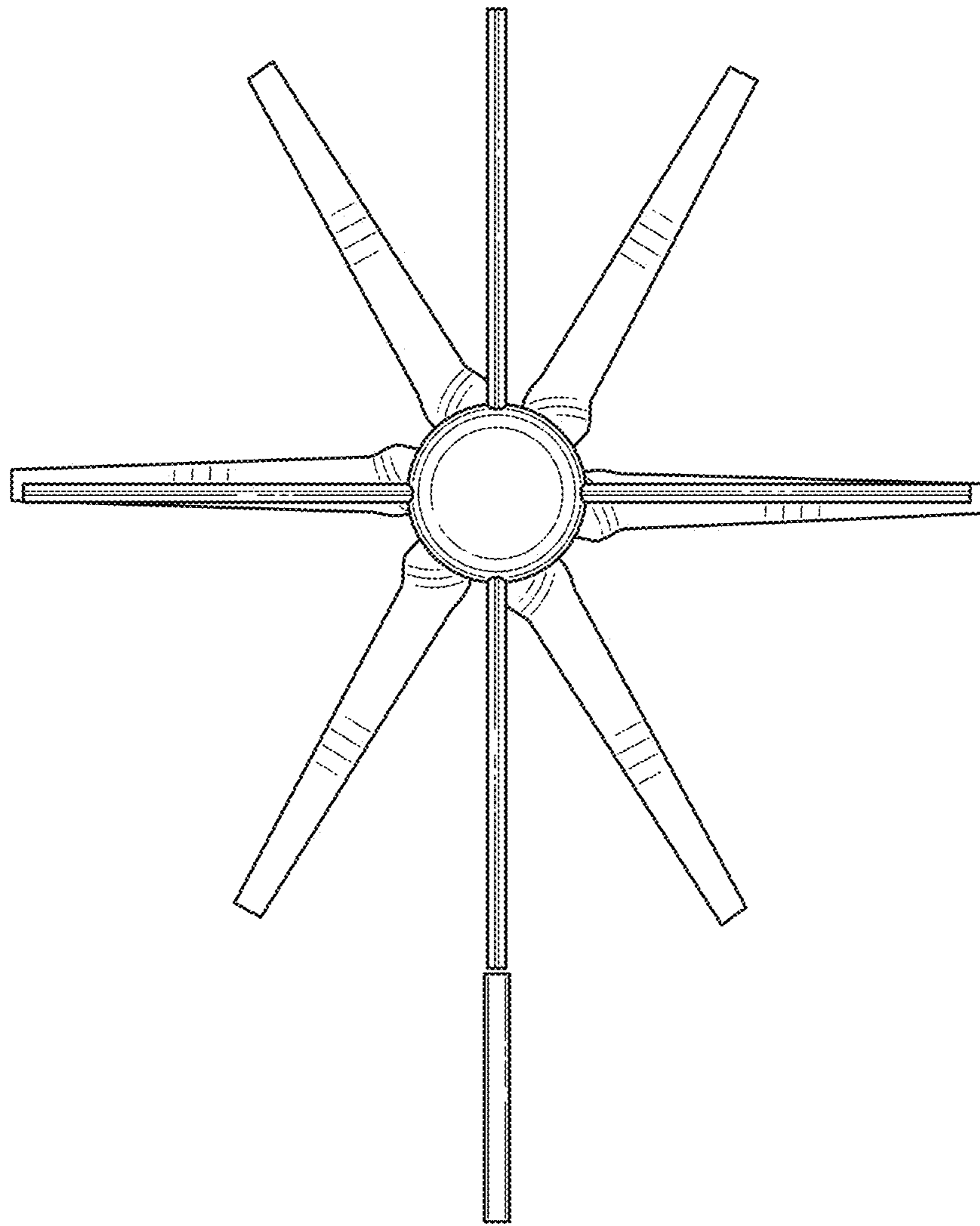


FIG. 5

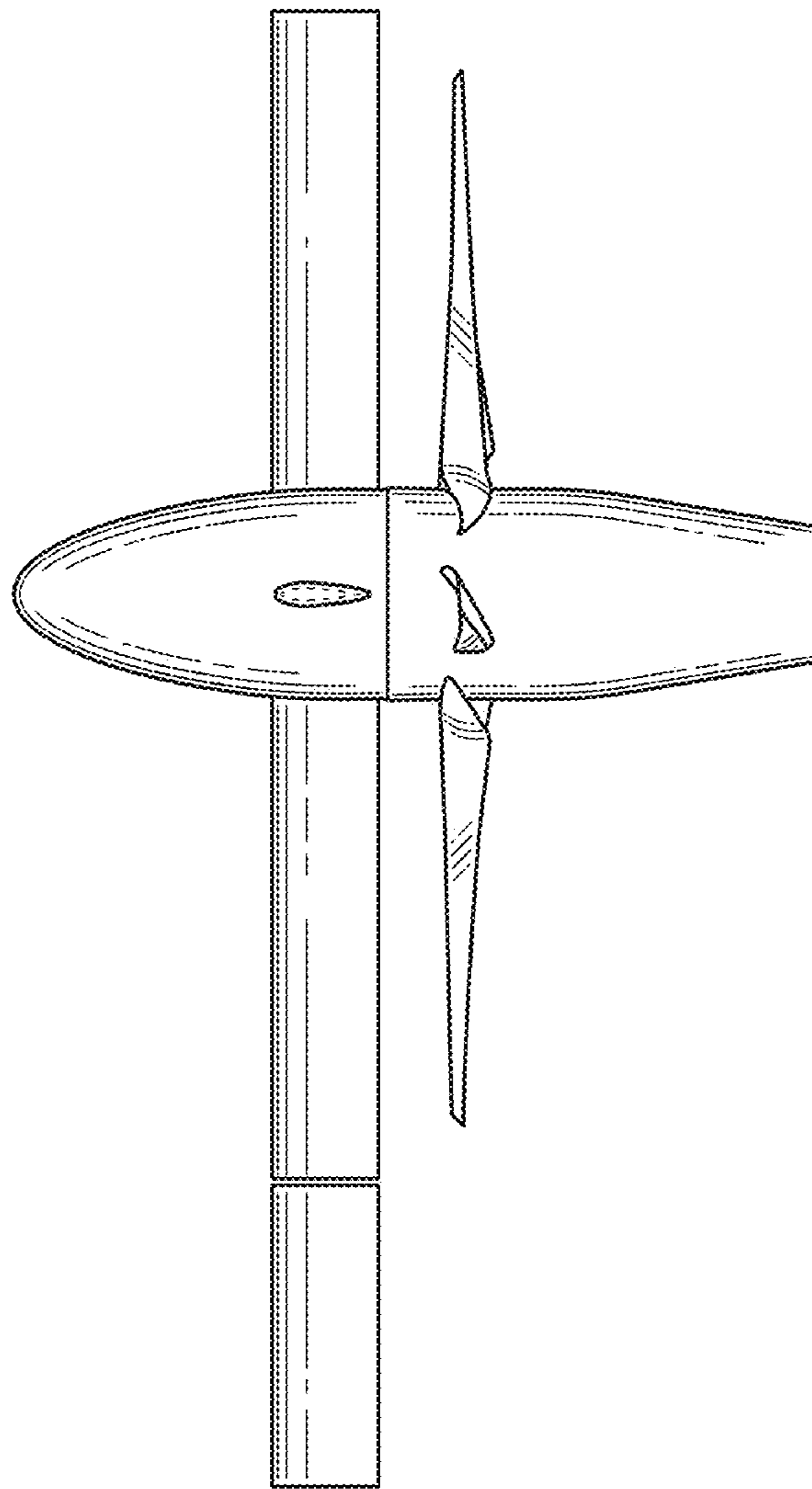


FIG. 6

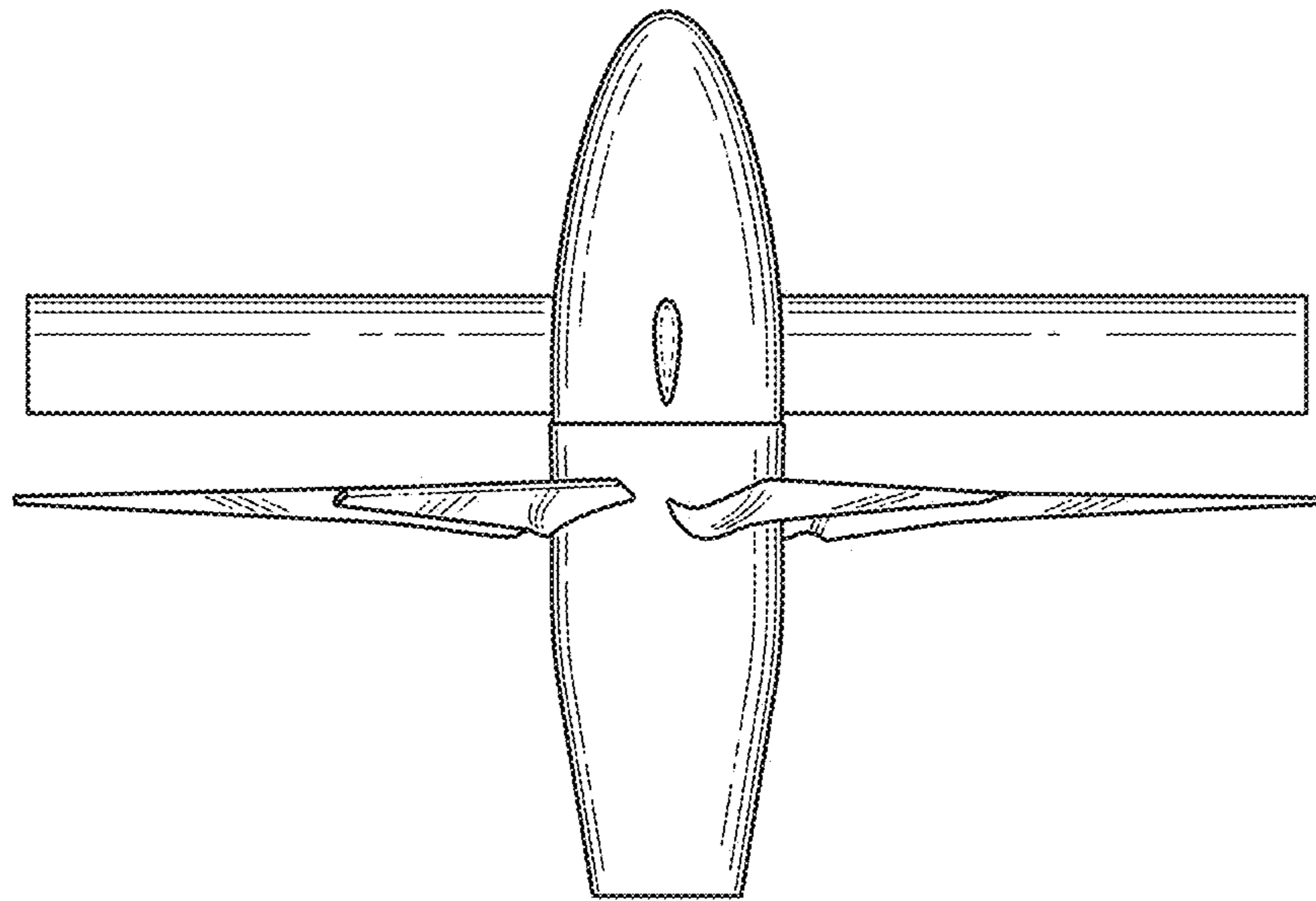


FIG. 7