



US00D909299S

(12) **United States Design Patent**  
**Guderjohn**

(10) **Patent No.:** **US D909,299 S**

(45) **Date of Patent:** **\*\* Feb. 2, 2021**

(54) **EXOTHERMIC EXTERMINATION DEVICE**

(71) Applicant: **Advanced Thermal Control, Inc.,**  
Glen Rock, PA (US)

(72) Inventor: **Bryan Guderjohn,** Glen Rock, PA  
(US)

(73) Assignee: **Advanced Thermal Control, Inc.,**  
Glen Rock, PA (US)

(\*\*) Term: **15 Years**

(21) Appl. No.: **29/656,365**

(22) Filed: **Jul. 12, 2018**

(51) **LOC (13) Cl.** ..... **13-02**

(52) **U.S. Cl.**  
USPC ..... **D13/112**

(58) **Field of Classification Search**  
USPC ..... D13/102, 110, 112, 116; D14/137, 168,  
D14/188, 189; D24/170, 232, 144, 138,  
D24/169; D26/37, 38, 39, 40, 41, 42, 43,  
D26/44, 45, 46, 47, 48, 49, 50  
CPC ..... A61B 18/1206; A61B 18/1402; A61B  
18/1815; H01R 13/641; G05B 15/02  
See application file for complete search history.

(56) **References Cited**

U.S. PATENT DOCUMENTS

|            |      |         |           |       |             |
|------------|------|---------|-----------|-------|-------------|
| 10,044,243 | B2 * | 8/2018  | Janscha   | ..... | H02K 7/18   |
| D828,301   | S *  | 9/2018  | Wang      | ..... | D13/116     |
| D834,517   | S *  | 11/2018 | Fritz     | ..... | D13/116     |
| 10,184,349 | B2 * | 1/2019  | Schulte   | ..... | H01P 5/00   |
| 10,190,223 | B2 * | 1/2019  | Lin       | ..... | C25B 1/02   |
| 10,273,864 | B2 * | 4/2019  | Takahashi | ..... | F01P 1/06   |
| 10,288,251 | B2 * | 5/2019  | Mestre    | ..... | F21S 45/49  |
| 10,294,858 | B2 * | 5/2019  | Lan       | ..... | F02B 63/048 |
| 10,308,358 | B2 * | 6/2019  | Phan      | ..... | B64C 39/024 |
| 10,319,207 | B1 * | 6/2019  | Janscha   | ..... | G08B 5/224  |
| 10,361,606 | B2 * | 7/2019  | Sautier   | ..... | F16F 13/105 |

|            |      |         |              |       |             |
|------------|------|---------|--------------|-------|-------------|
| 10,385,463 | B2 * | 8/2019  | Lin          | ..... | C25B 15/08  |
| 10,408,115 | B2 * | 9/2019  | Okada        | ..... | F01M 1/02   |
| 10,439,463 | B2 * | 10/2019 | Allen        | ..... | H02K 3/505  |
| 10,465,300 | B2 * | 11/2019 | Lin          | ..... | A61M 16/107 |
| 10,488,169 | B2 * | 11/2019 | Rastegar     | ..... | F42C 11/008 |
| 10,495,186 | B2 * | 12/2019 | Lemmers, Jr. | ..... | F02C 7/36   |
| 10,516,321 | B2 * | 12/2019 | Kobayashi    | ..... | H02K 9/22   |
| 10,523,092 | B2 * | 12/2019 | Akamatsu     | ..... | H02K 5/225  |
| D875,943   | S *  | 2/2020  | Dayton       | ..... | D24/158     |
| D878,293   | S *  | 3/2020  | Beyerlein    | ..... | D13/112     |
| D879,037   | S *  | 3/2020  | Simon        | ..... | D13/112     |
| D879,717   | S *  | 3/2020  | Simon        | ..... | D13/112     |
| D887,005   | S *  | 6/2020  | Lin          | ..... | D24/164     |

\* cited by examiner

*Primary Examiner* — Susan Bennett Hattan

*Assistant Examiner* — Suzanne E Tisdell

(74) *Attorney, Agent, or Firm* — Barley Snyder

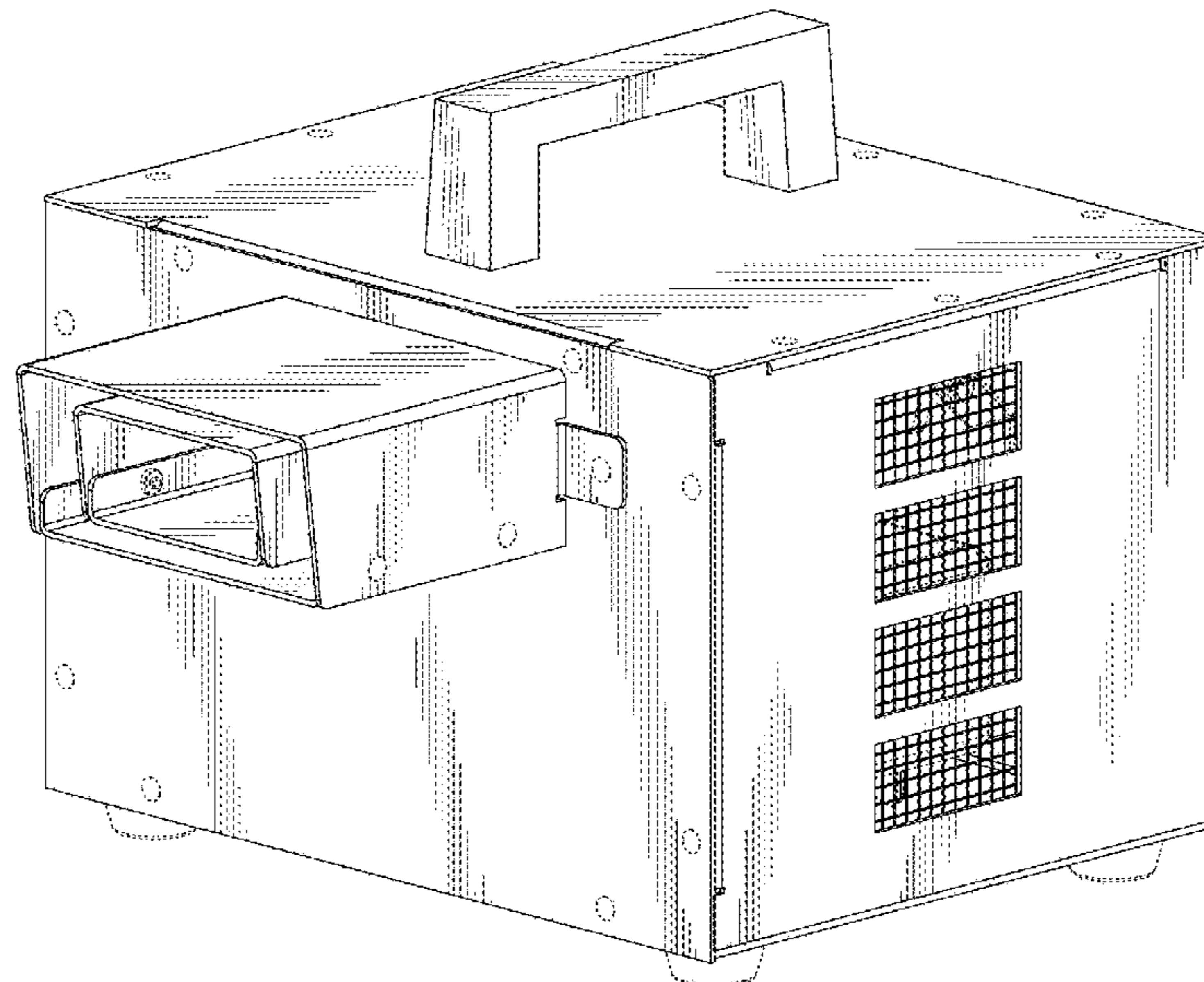
(57) **CLAIM**

The ornamental design for an exothermic extermination device, as shown and described.

**DESCRIPTION**

FIG. 1 is a front, top and left side perspective view of a exothermic extermination device;  
 FIG. 2 is a rear, bottom and right side perspective view of the exothermic extermination device;  
 FIG. 3 is a right side elevation view thereof;  
 FIG. 4 is a left side elevation view thereof;  
 FIG. 5 is a front elevation view thereof;  
 FIG. 6 is a rear elevation view thereof  
 FIG. 7 is a top plan view thereof;  
 FIG. 8 is a bottom plan view thereof; and,  
 FIG. 9 is a front, top and right side perspective view of the exothermic extermination device.  
 The broken lines shown in the Figures are included to show unclaimed subject matter only and form no part of the claimed design.

**1 Claim, 9 Drawing Sheets**



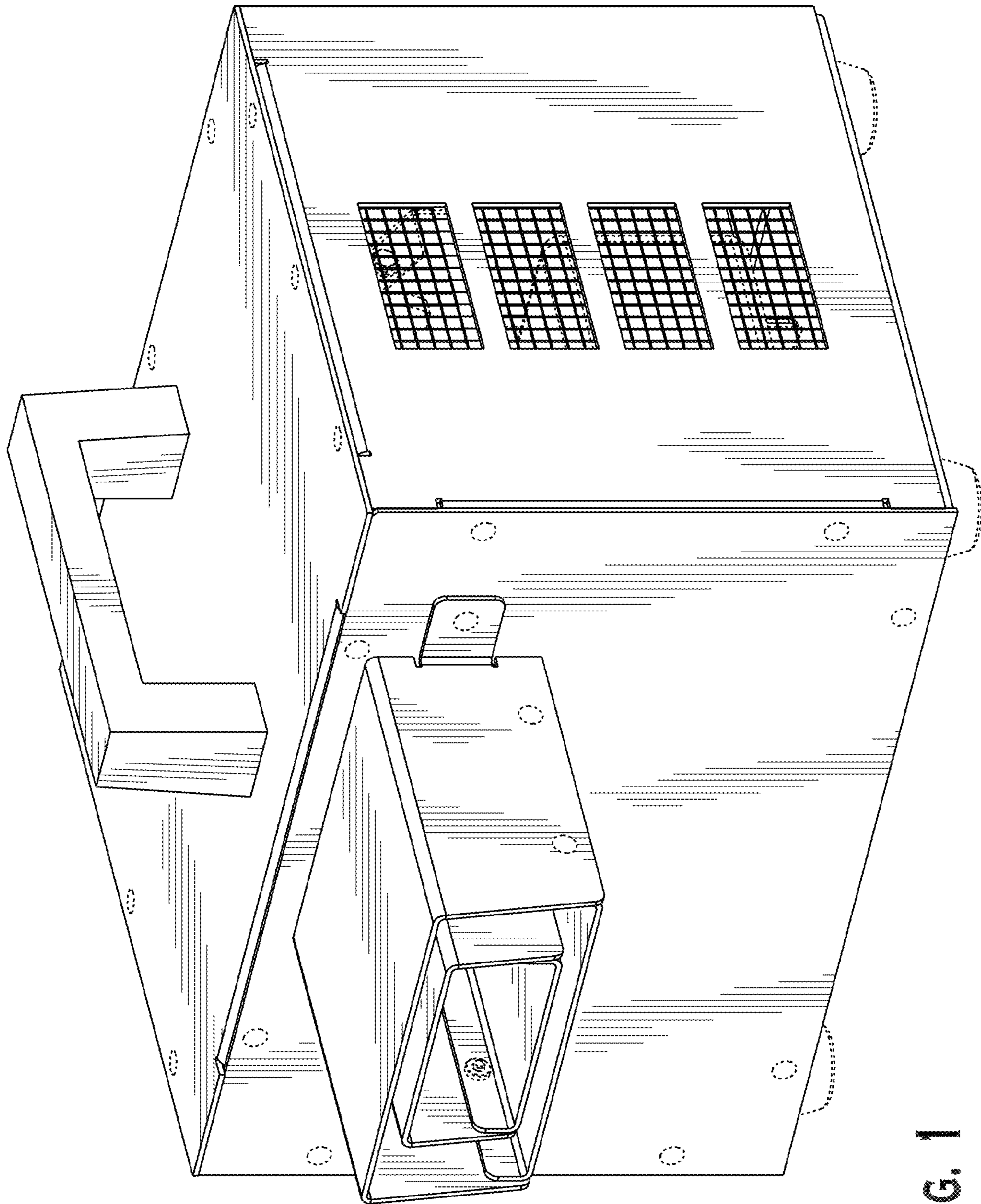


FIG. 1

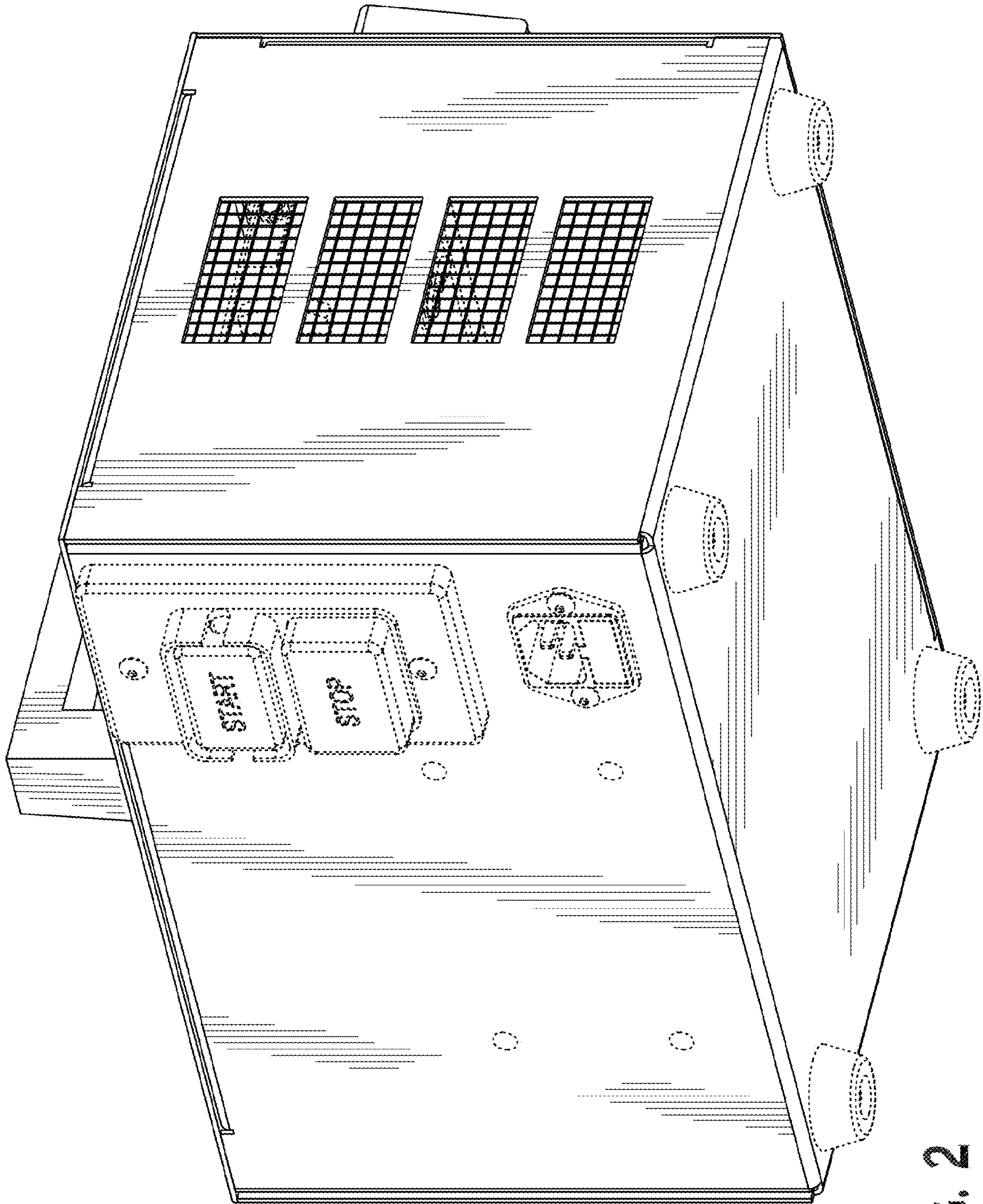


FIG. 2

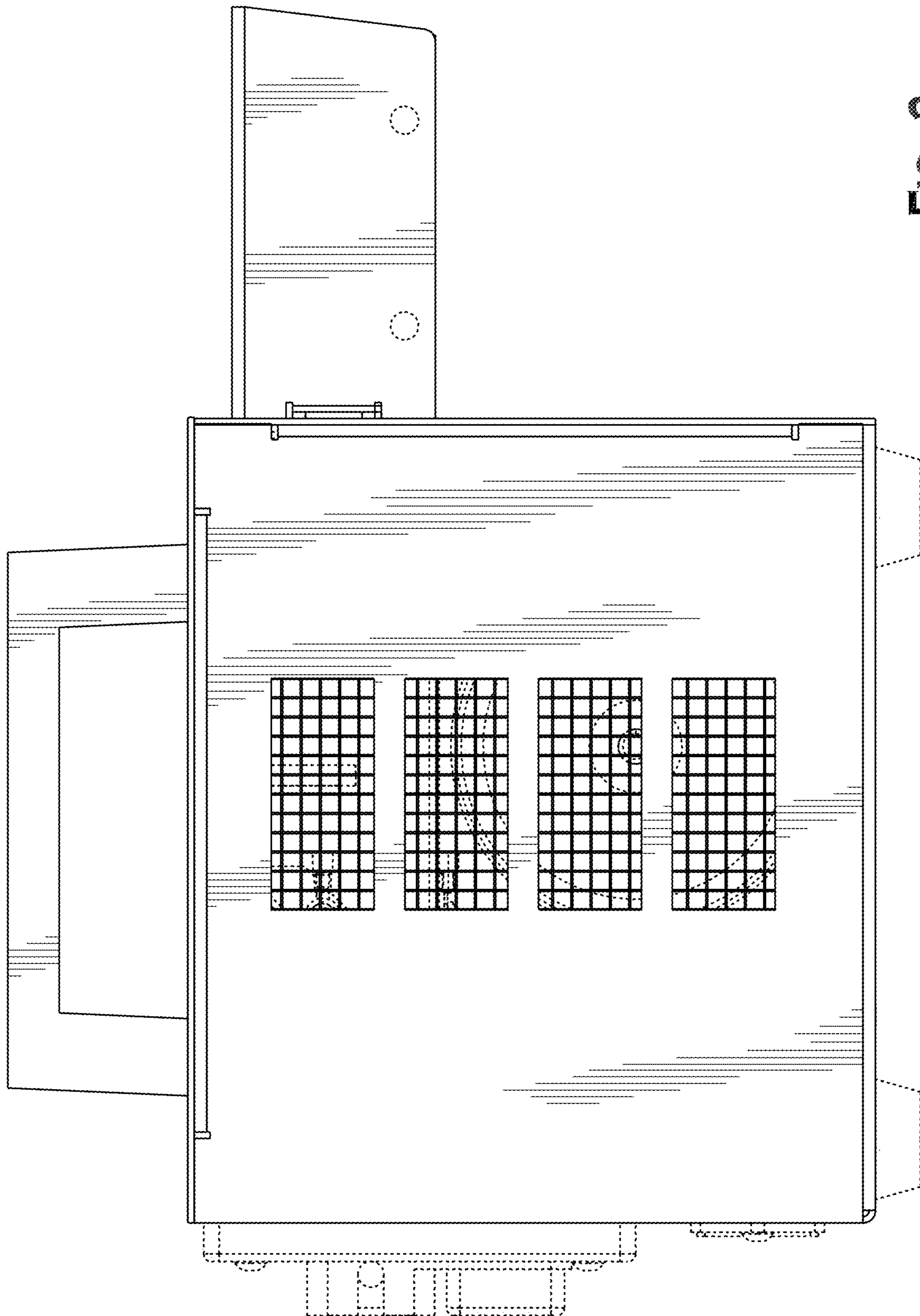


FIG. 3

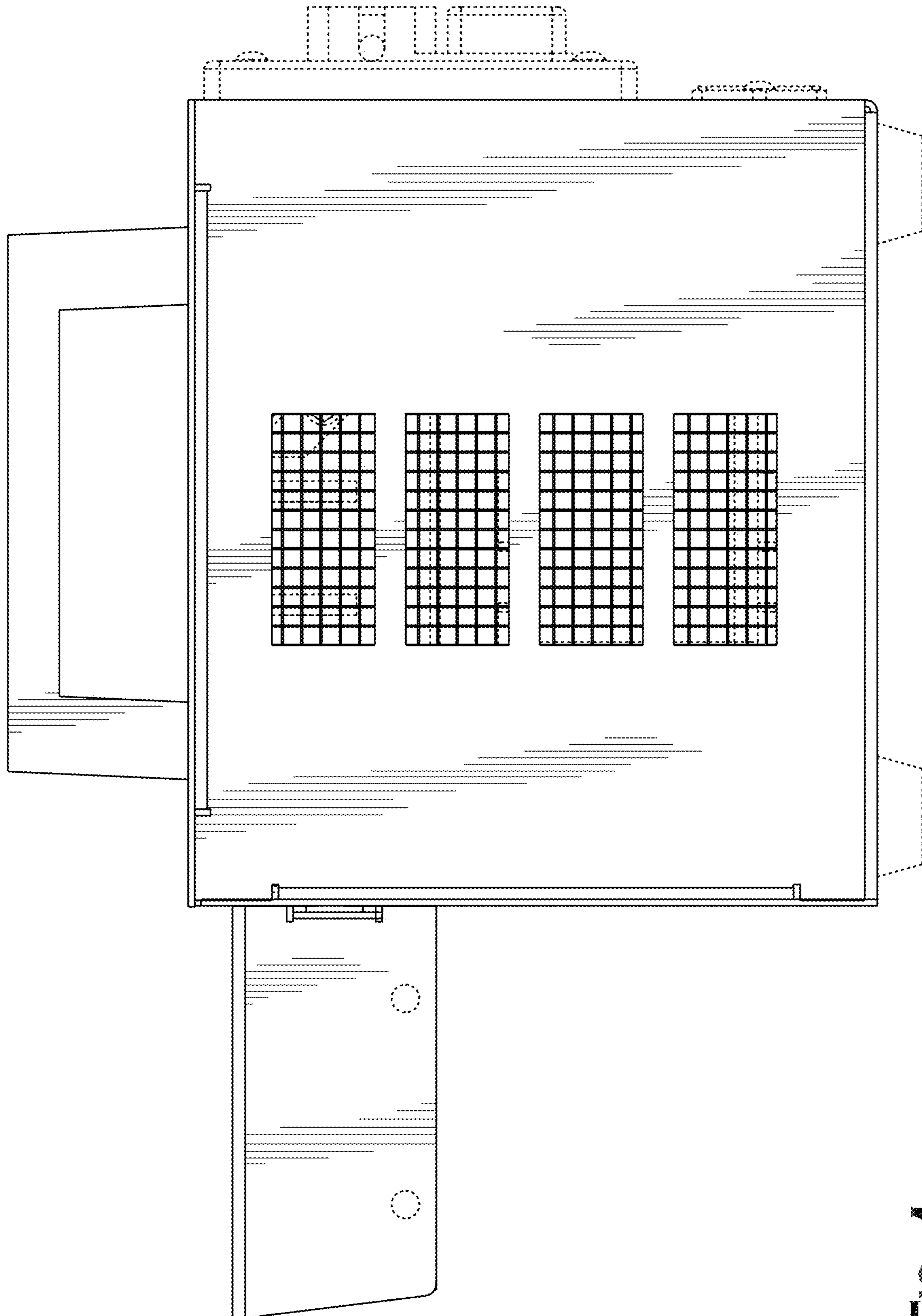


FIG. 4

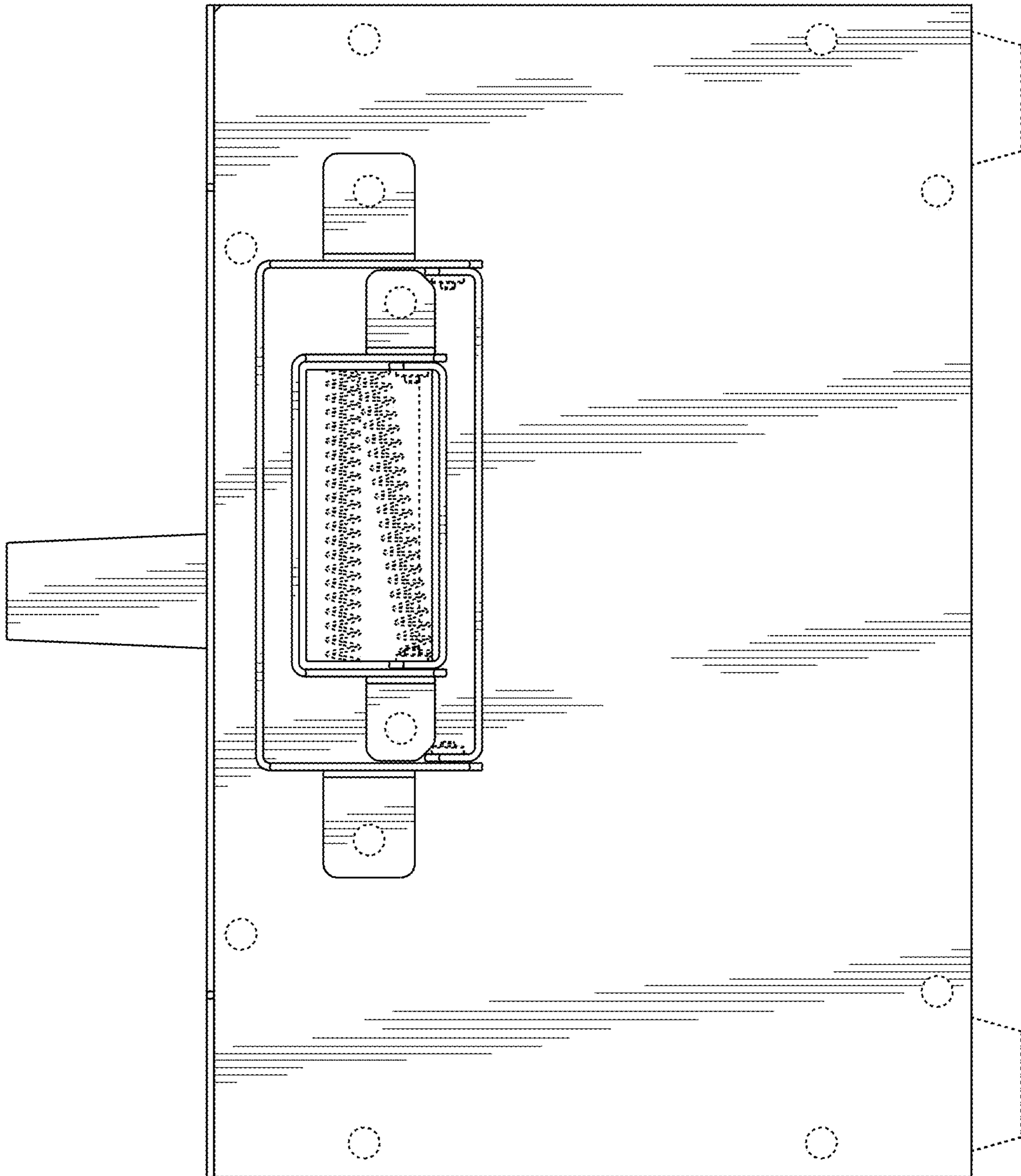


FIG. 5

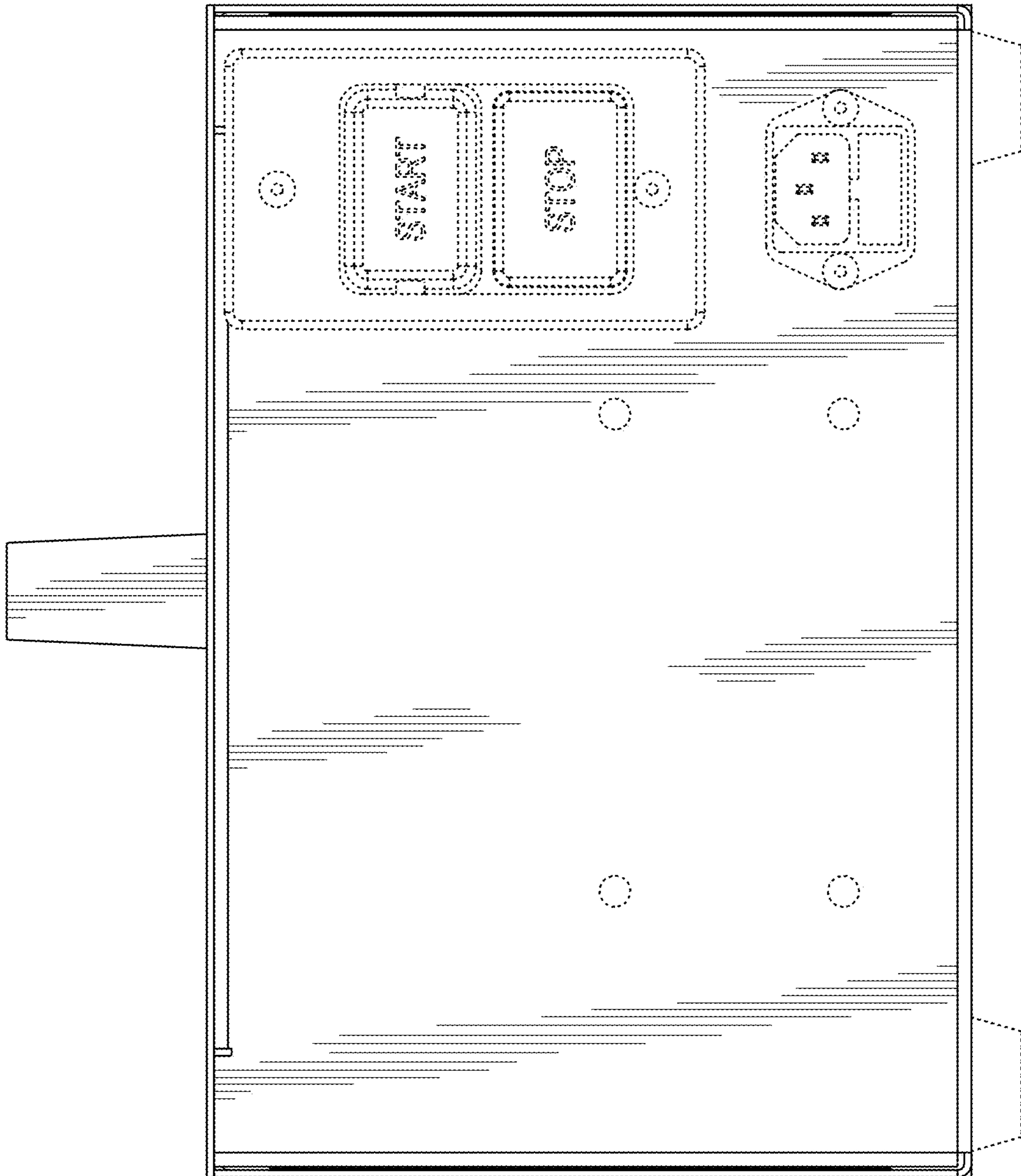


FIG. 6

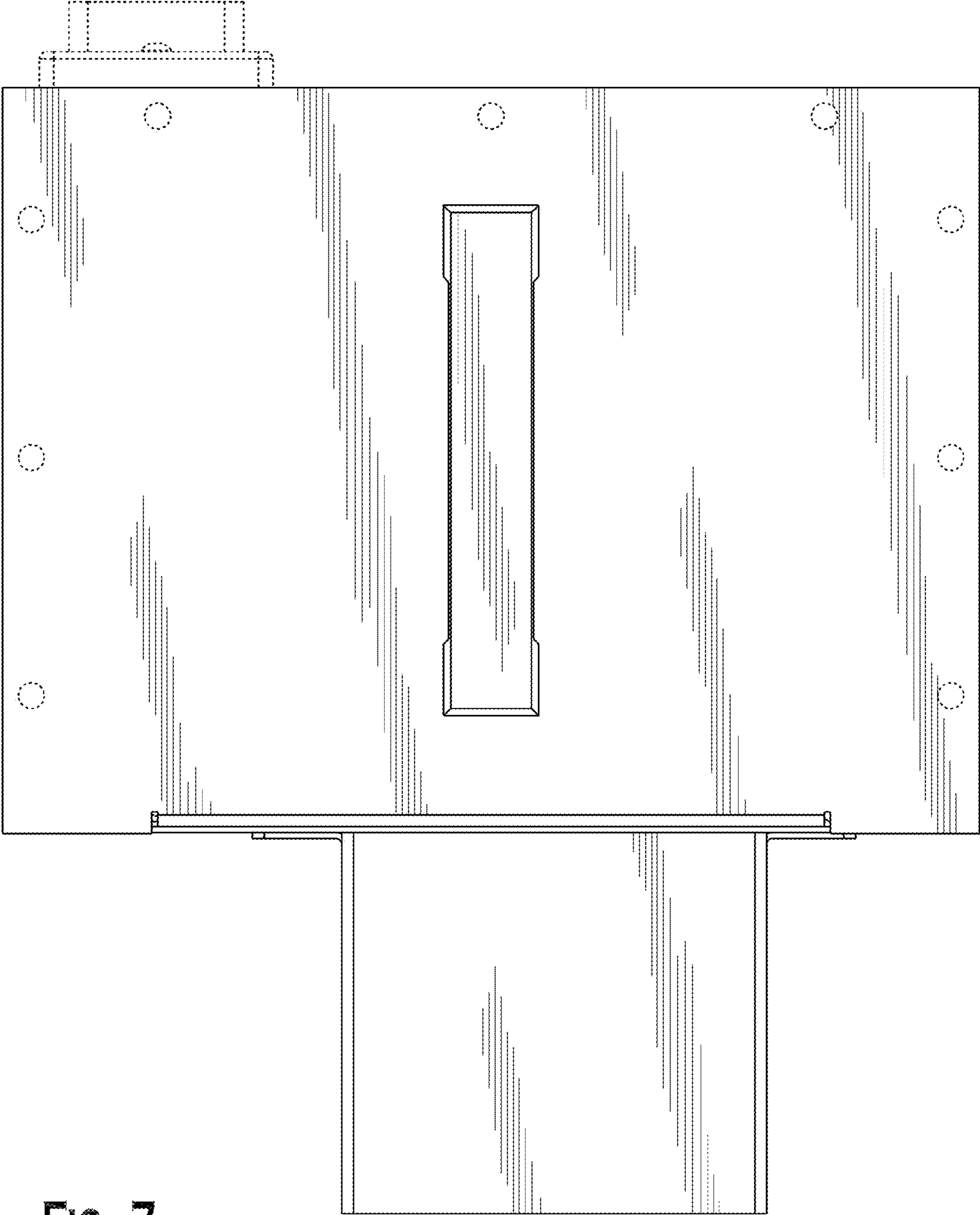


FIG. 7



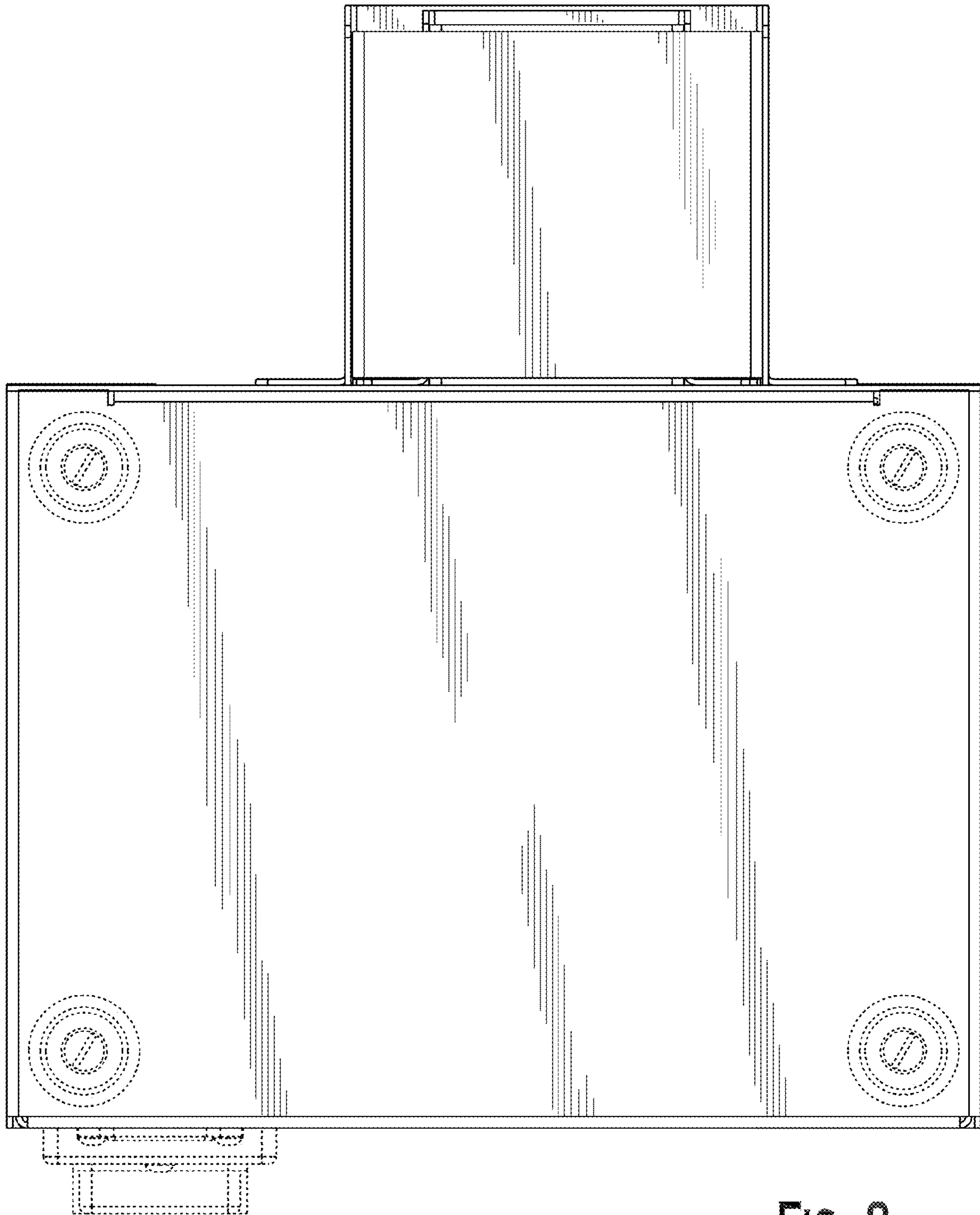


FIG. 8

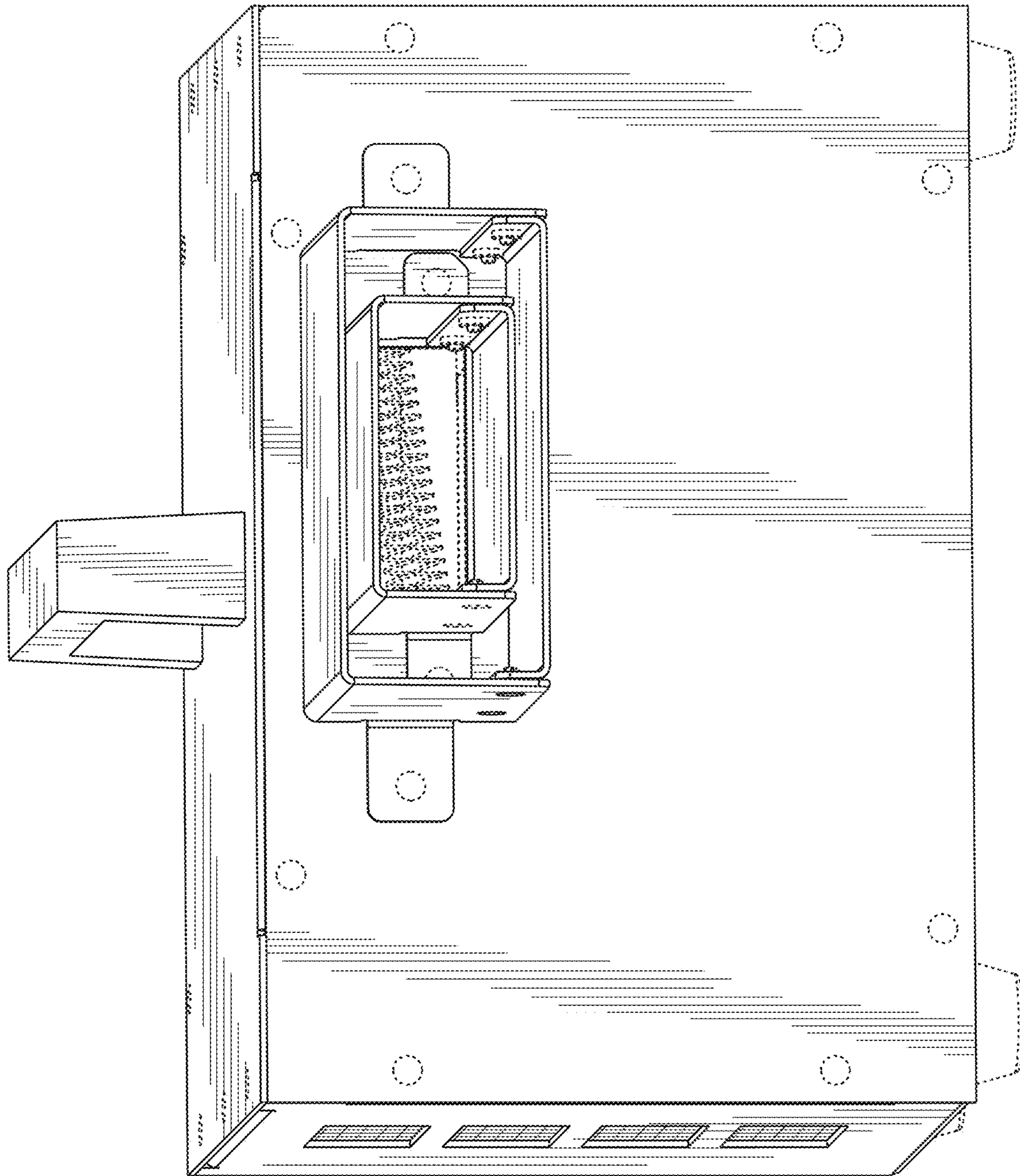


FIG. 9