



US00D909298S

(12) **United States Design Patent** (10) **Patent No.:** **US D909,298 S**  
**Garvey et al.** (45) **Date of Patent:** **\*\* Feb. 2, 2021**

- (54) **POWER SUPPLY CASE FOR WELDING, CUTTING, OR HEATING POWER**
- (71) Applicant: **Illinois Tool Works Inc.**, Glenview, IL (US)
- (72) Inventors: **Paul William Garvey**, Freedom, WI (US); **Tiffany Anne Carter**, Greenville, WI (US); **Kenneth Carl Altekruze**, Appleton, WI (US)
- (73) Assignee: **Illinois Tool Works Inc.**, Glenview, IL (US)
- (\*\*) Term: **15 Years**
- (21) Appl. No.: **29/732,890**
- (22) Filed: **Apr. 28, 2020**

**Related U.S. Application Data**

- (62) Division of application No. 29/654,916, filed on Jun. 28, 2018, now Pat. No. Des. 882,517, and a division of application No. 29/654,915, filed on Jun. 28, 2018, now Pat. No. Des. 882,516.
- (51) **LOC (13) Cl.** ..... **13-02**
- (52) **U.S. Cl.**  
USPC ..... **D13/110**
- (58) **Field of Classification Search**  
USPC ..... D13/110, 103, 107, 108, 118, 119, 123, D13/133, 137.1, 177, 184, 199; D14/240, D14/251, 356, 432, 433, 434; D15/144, D15/144.1, 144.2  
CPC ..... G06F 1/181; G06F 1/188; G06F 1/189; H02M 7/00; H02M 7/02; H02M 7/003; H02K 5/00; H02K 5/0017; H01M 2/1005; H01M 2/1022; H01M 2/1066; H01M 2/0202; H01M 2/0456
- See application file for complete search history.

(56) **References Cited**

U.S. PATENT DOCUMENTS

D339,101 S *	9/1993	Delamoreaux	.....	D13/110
D376,347 S	12/1996	Mousa		
D377,335 S *	1/1997	Katooka	.....	D13/110
D488,441 S	4/2004	Ogawa		
D553,564 S	10/2007	Kuo		
D564,961 S *	3/2008	Chen	.....	D13/110
D568,242 S *	5/2008	Ogawa	.....	D13/110
7,869,191 B2	1/2011	Yang		
D695,697 S	12/2013	Saari		
D705,162 S	5/2014	Mueller		
D718,733 S *	12/2014	Kishita	.....	D14/140.2
D844,561 S *	4/2019	Gou	.....	D13/110
D876,349 S *	2/2020	Nagano	.....	D13/110
2012/0020021 A1 *	1/2012	Kishimoto	.....	H02M 5/271 361/695

\* cited by examiner

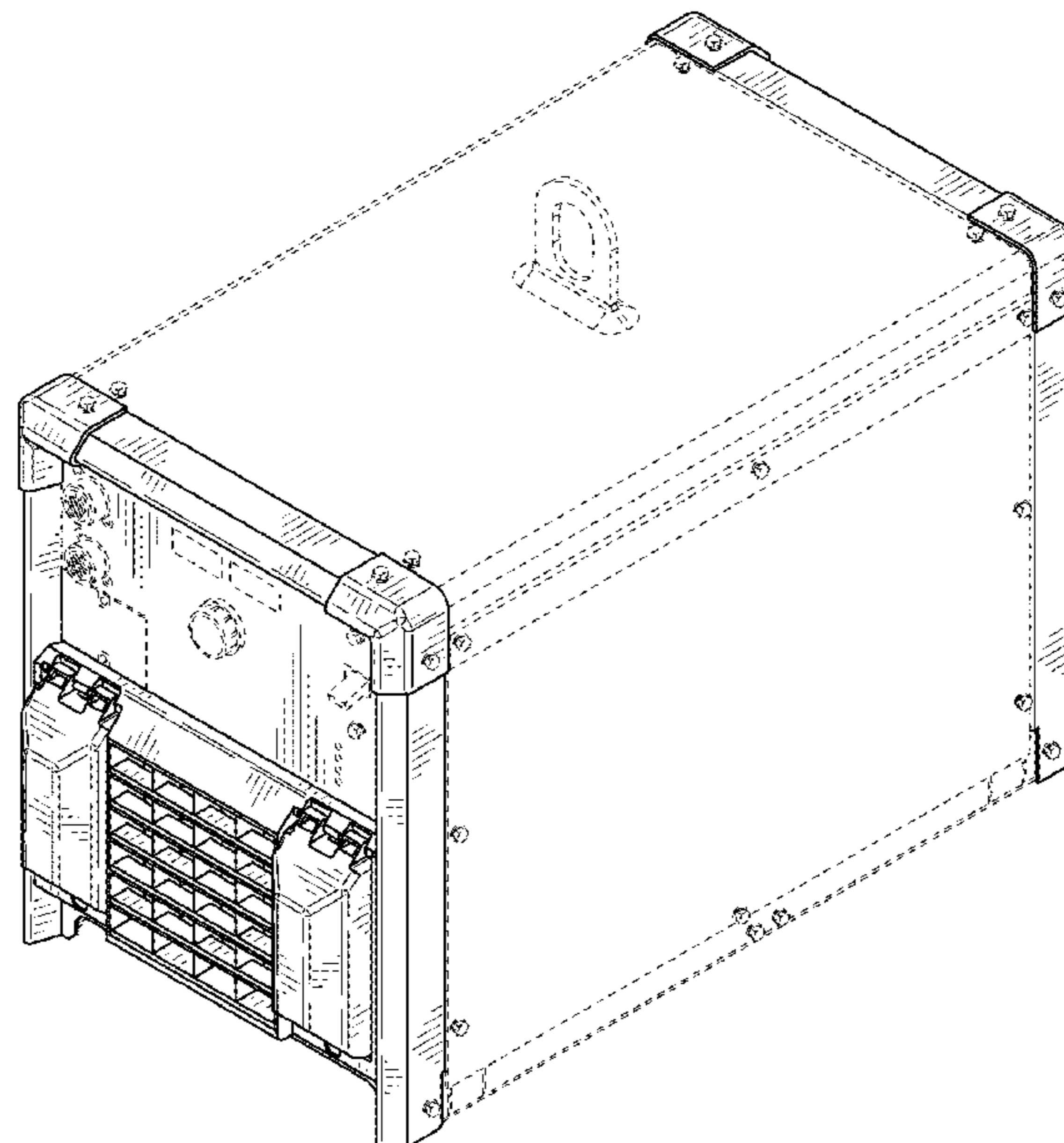
*Primary Examiner* — Derrick E Holland  
 (74) *Attorney, Agent, or Firm* — McAndrews, Held & Malloy, Ltd.

(57) **CLAIM**  
 The ornamental design for a power supply case for welding, cutting, or heating power, as shown and described.

**DESCRIPTION**

FIG. 1 is a top perspective view of an embodiment of a power supply case for welding, cutting, or heating power showing our new design;  
 FIG. 2 is a front elevation view thereof;  
 FIG. 3 is a rear elevation view thereof;  
 FIG. 4 is a right-side elevation view thereof;  
 FIG. 5 is a left-side elevation view thereof;  
 FIG. 6 is a top plan view thereof; and,  
 FIG. 7 is a bottom plan view thereof.  
 The broken lines in the figures depict the portions of the power supply case for welding, cutting, or heating power that form no part of the claimed design.

**1 Claim, 4 Drawing Sheets**



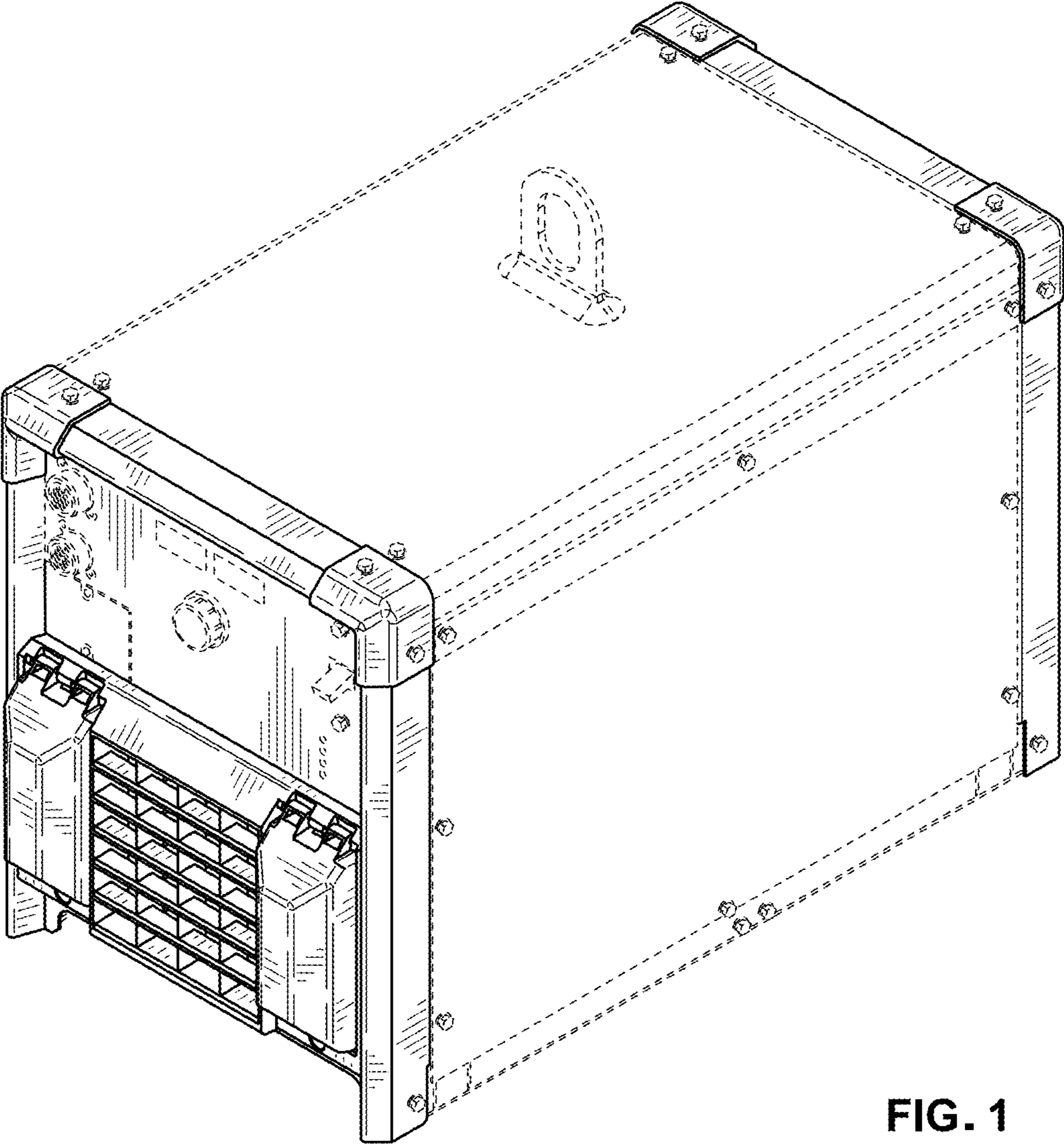


FIG. 1



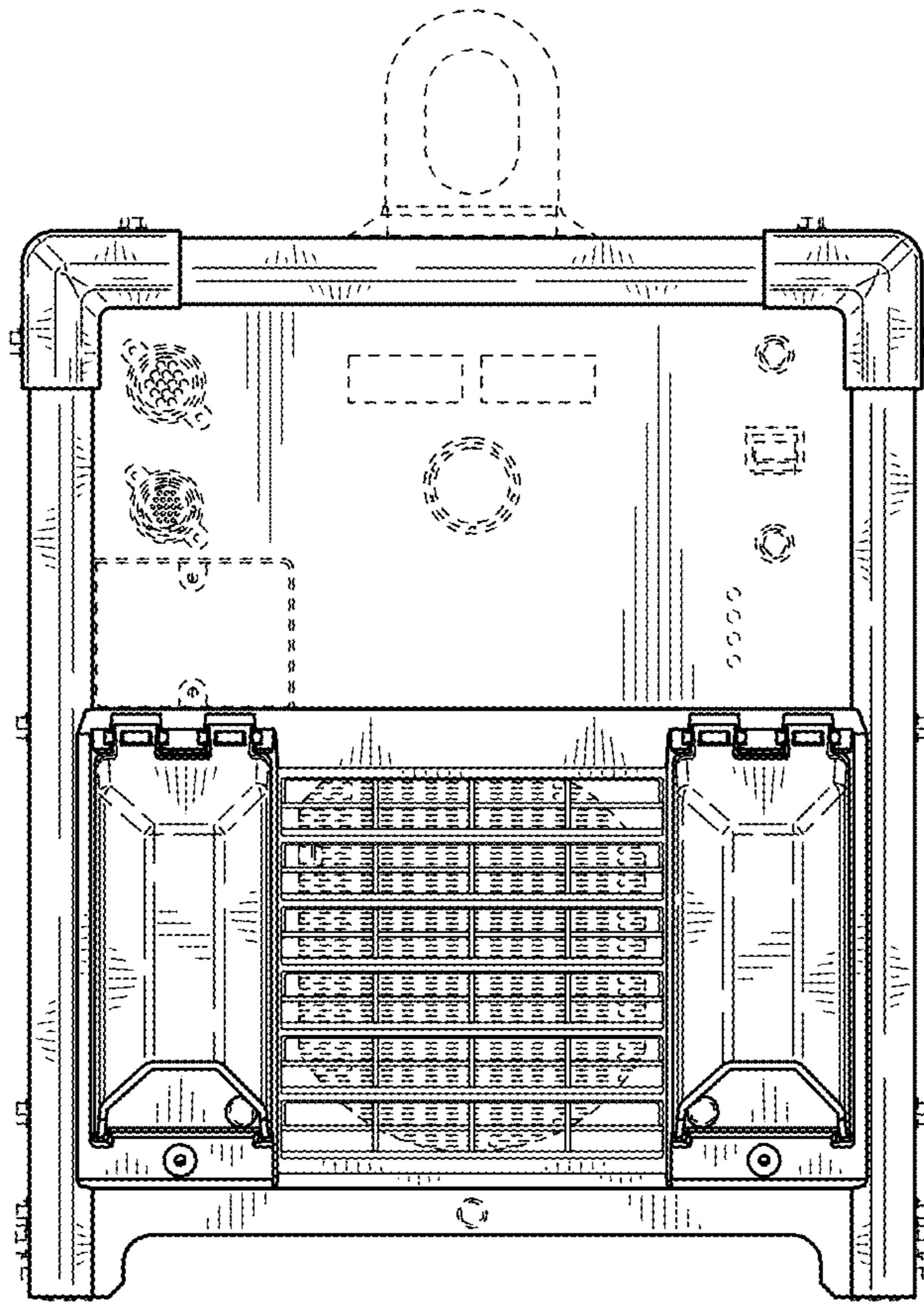


FIG. 2

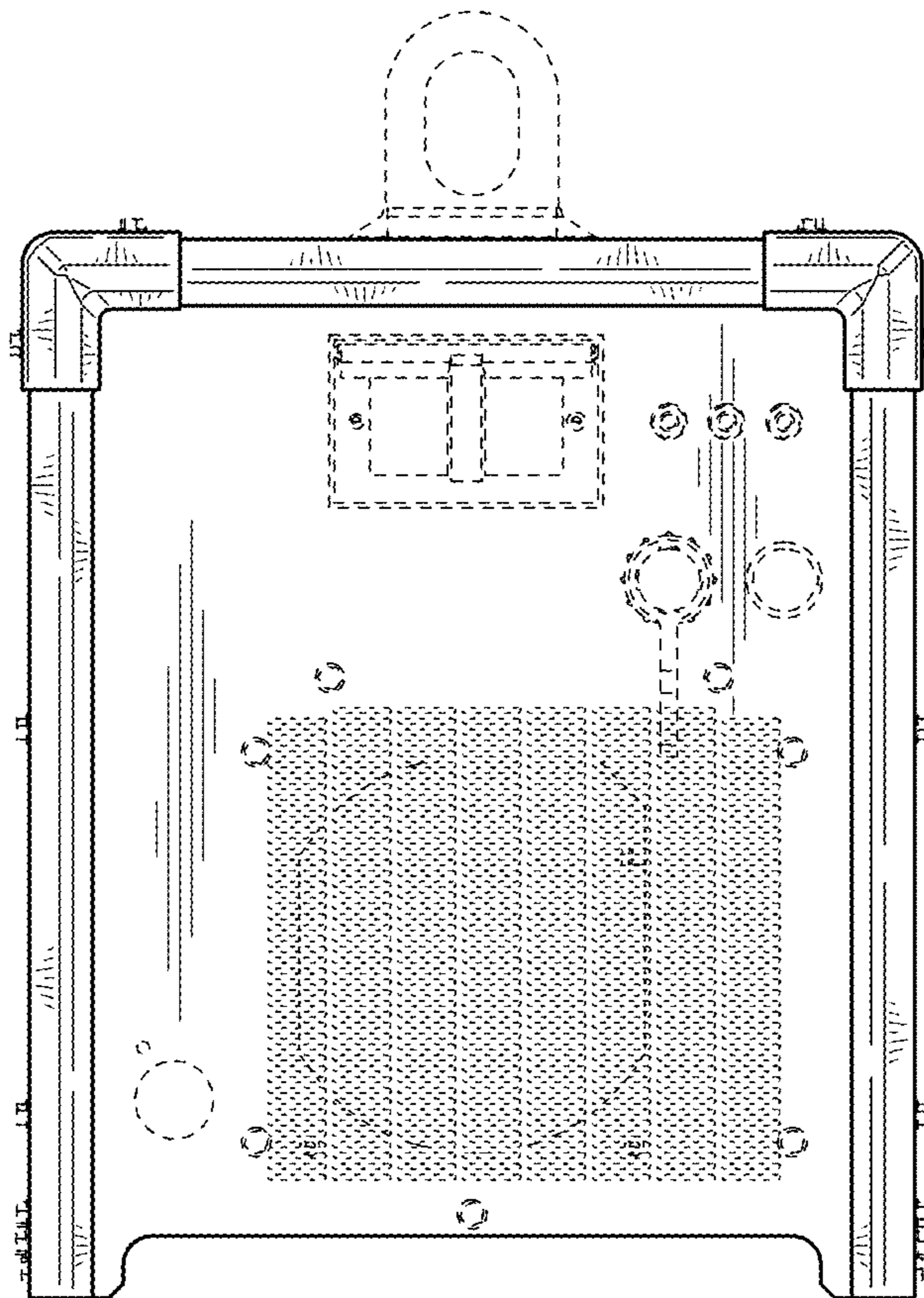


FIG. 3

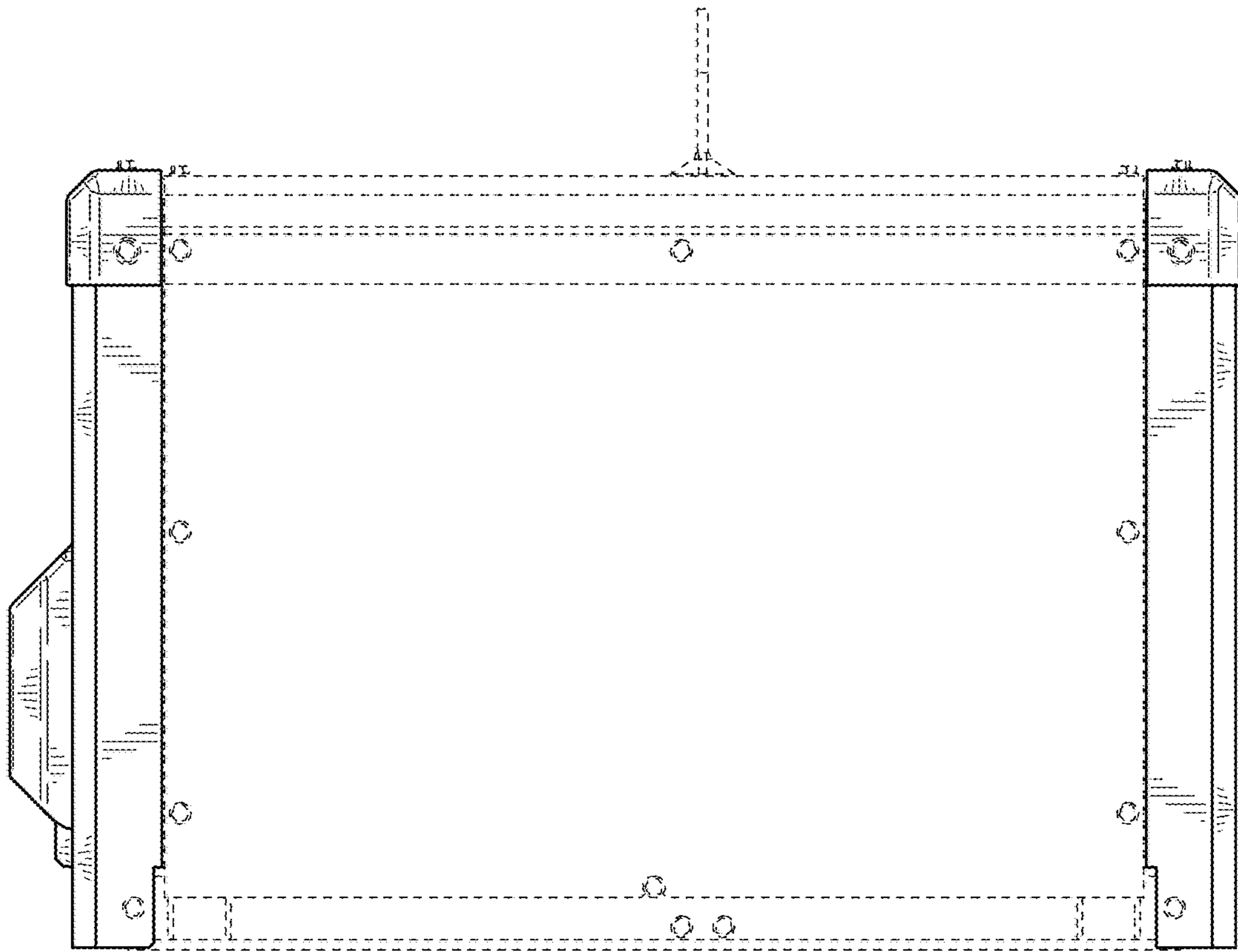


FIG. 4

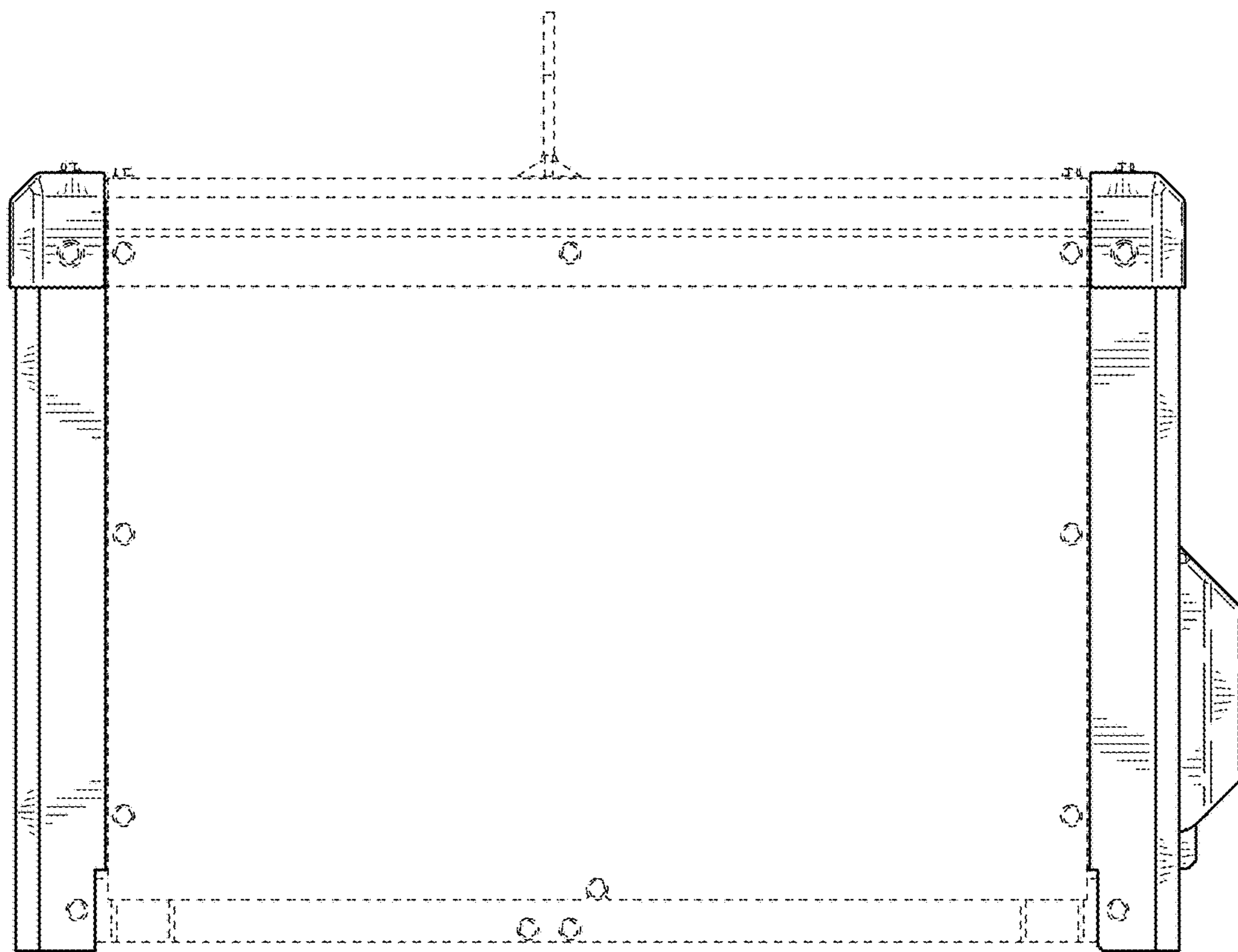


FIG. 5

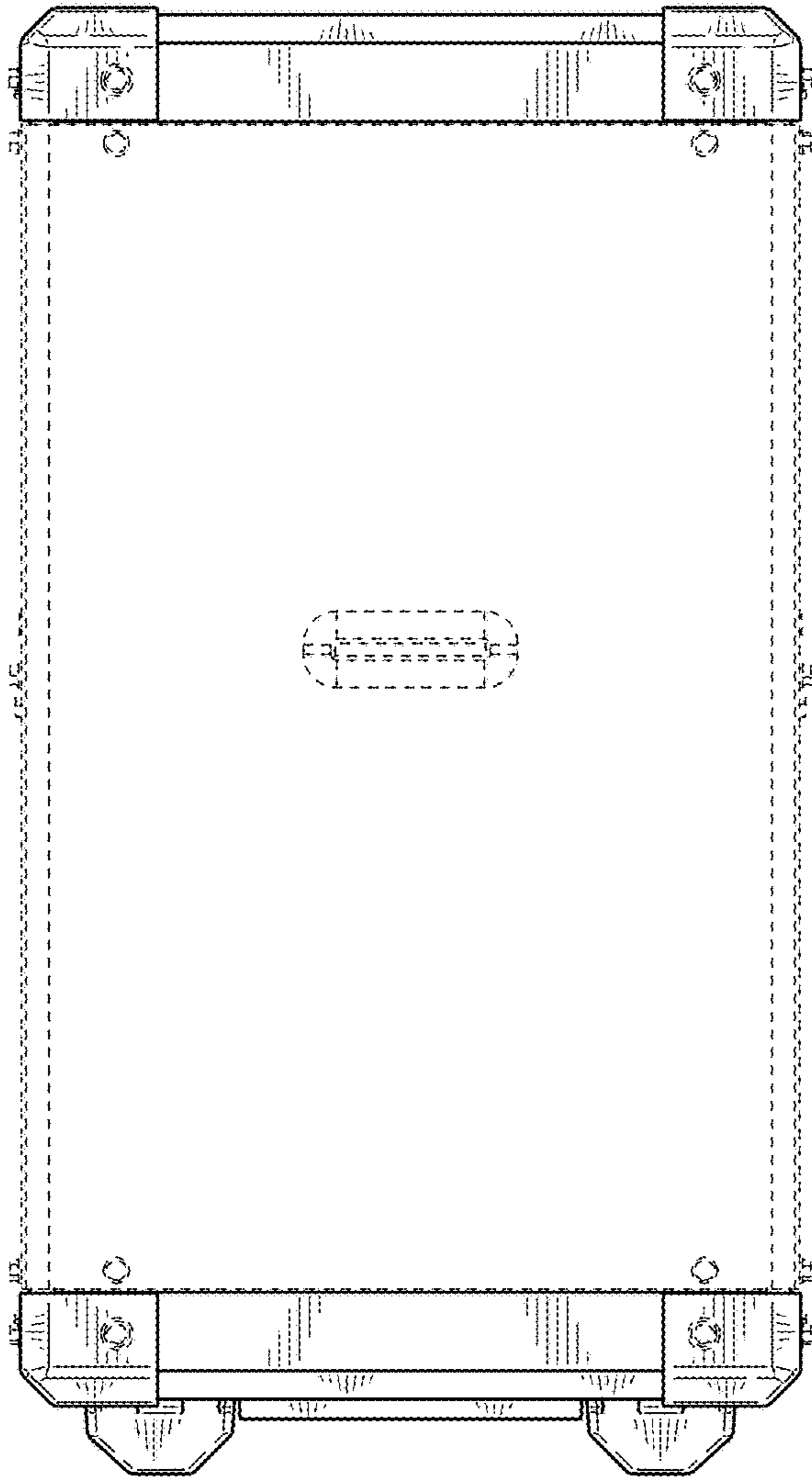


FIG. 6

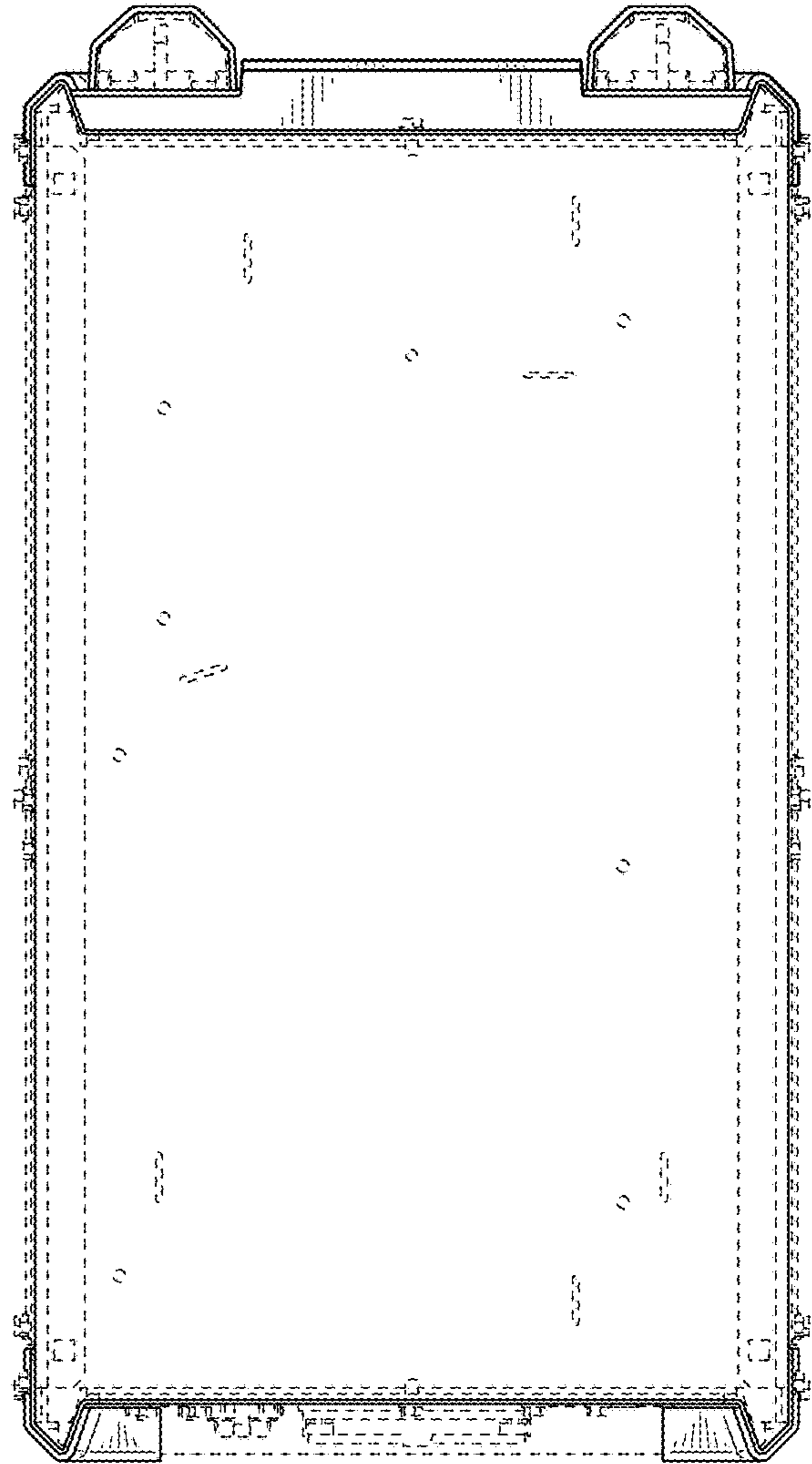


FIG. 7