



US00D909297S

(12) **United States Design Patent** (10) **Patent No.:** **US D909,297 S**  
**Yoshizumi et al.** (45) **Date of Patent:** **\*\* Feb. 2, 2021**

(54) **POWER CONVERTER**  
(71) Applicant: **TOSHIBA MITSUBISHI-ELECTRIC INDUSTRIAL SYSTEMS CORPORATION**, Chuo-ku (JP)  
(72) Inventors: **Yuki Yoshizumi**, Tokyo (JP); **Nobuhiro Takahashi**, Tokyo (JP)  
(73) Assignee: **TOSHIBA MITSUBISHI-ELECTRIC INDUSTRIAL SYSTEMS CORPORATION**, Chuo-ku (JP)

(\*\*) Term: **15 Years**  
(21) Appl. No.: **29/701,407**  
(22) Filed: **Aug. 12, 2019**

(30) **Foreign Application Priority Data**  
May 31, 2019 (JP) ..... 2019-011942  
(51) **LOC (13) Cl.** ..... **13-02**  
(52) **U.S. Cl.**  
USPC ..... **D13/110**  
(58) **Field of Classification Search**  
USPC ..... D13/103, 107, 108, 110, 112, 113, 114,  
D13/117, 118, 119, 122, 184, 199;  
D14/300, 301, 308, 313  
CPC ..... H02B 1/26; H02K 5/00; H02K 11/0094  
See application file for complete search history.

(56) **References Cited**  
U.S. PATENT DOCUMENTS  
D210,588 S \* 3/1968 Mazza ..... D14/308  
6,331,933 B1 \* 12/2001 Rumney ..... G06F 1/184  
174/541  
D494,133 S \* 8/2004 Song ..... D13/110  
D494,928 S \* 8/2004 Fan ..... D13/112  
D534,863 S \* 1/2007 Yasuda ..... D13/112  
D638,795 S \* 5/2011 Bechtel ..... D13/122

D698,724 S \* 2/2014 Palatini ..... D13/110  
D773,395 S \* 12/2016 Shatek ..... D13/112  
D810,021 S \* 2/2018 Iwai ..... D13/119  
D821,311 S \* 6/2018 Beer ..... D13/110  
D837,735 S \* 1/2019 Marcille ..... D13/112  
2007/0278915 A1 \* 12/2007 Conrardy ..... H05K 7/183  
312/257.1  
2012/0073320 A1 \* 3/2012 Seoane ..... F25B 39/024  
62/291

**OTHER PUBLICATIONS**

“Power Converter”. Found online Sep. 17, 2020 at [img.acuitybrands.com](http://img.acuitybrands.com). Reference dated May 23, 2017. Retrieved from [https://img.acuitybrands.com/public-assets/catalog/1188447/iota--dls-27v-40a-battery-charger-power-converter-27-volts-40-amps.pdf?abl\\_version=07%2f16%2f2020+18:05:47&DOC\\_Type=SPEC\\_SHEET](https://img.acuitybrands.com/public-assets/catalog/1188447/iota--dls-27v-40a-battery-charger-power-converter-27-volts-40-amps.pdf?abl_version=07%2f16%2f2020+18:05:47&DOC_Type=SPEC_SHEET). (Year: 2017).\*

(Continued)

*Primary Examiner* — Kendra Leslie Hamilton  
*Assistant Examiner* — Amanda Christensen  
(74) *Attorney, Agent, or Firm* — Oblon, McClelland, Maier & Neustadt, L.L.P.

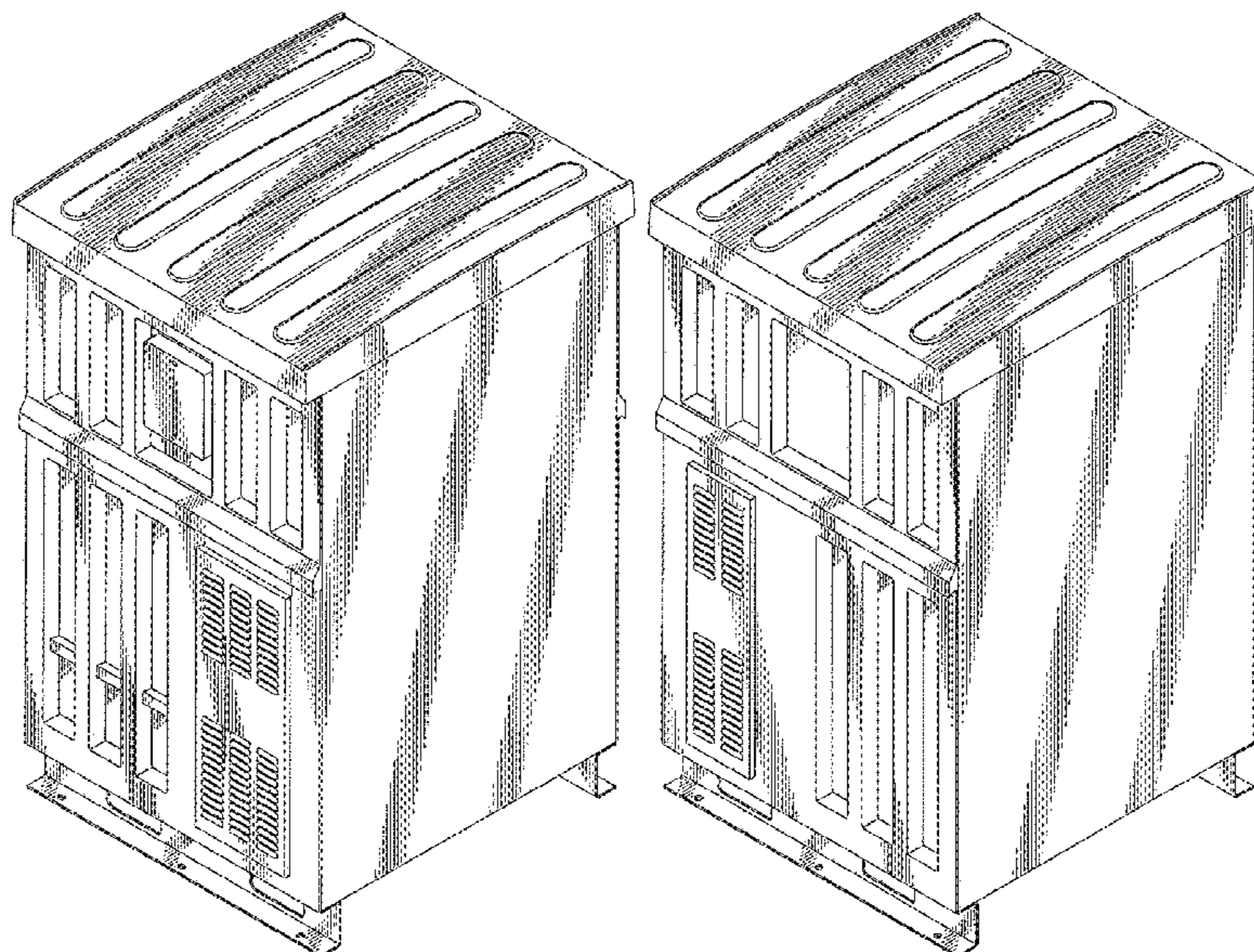
(57) **CLAIM**

The ornamental design for a power converter, as shown and described.

**DESCRIPTION**

FIG. 1 is a front, top, and right side perspective view of a power converter;  
FIG. 2 is a front elevational view thereof;  
FIG. 3 is a rear elevational view thereof;  
FIG. 4 is a left side elevational view thereof;  
FIG. 5 is a right side elevational view thereof;  
FIG. 6 is a top plan view thereof;  
FIG. 7 is a bottom plan view thereof; and,  
FIG. 8 is a rear, top, and left side perspective view thereof.

**1 Claim, 8 Drawing Sheets**



(56)

**References Cited**

OTHER PUBLICATIONS

“Midwest Electric Ventilated Transformer”. Found online Sep. 17, 2020 at yaleelectricssupply.com. Reference dated Feb. 24, 2017. Retrieved from [https://tineye.com/search/8d23054a0ff8a15f735740f4ae7a74fba28825bd?sort=crawl\\_date&order=asc&page=1](https://tineye.com/search/8d23054a0ff8a15f735740f4ae7a74fba28825bd?sort=crawl_date&order=asc&page=1). (Year: 2017).\*

“Power Converter”. Found online Sep. 18, 2020 at keystoneforums.com. Reference dated Jun. 23, 2018. Retrieved from <https://www.keystoneforums.com/forums/showthread.php?t=33676>. (Year: 2018).\*

\* cited by examiner



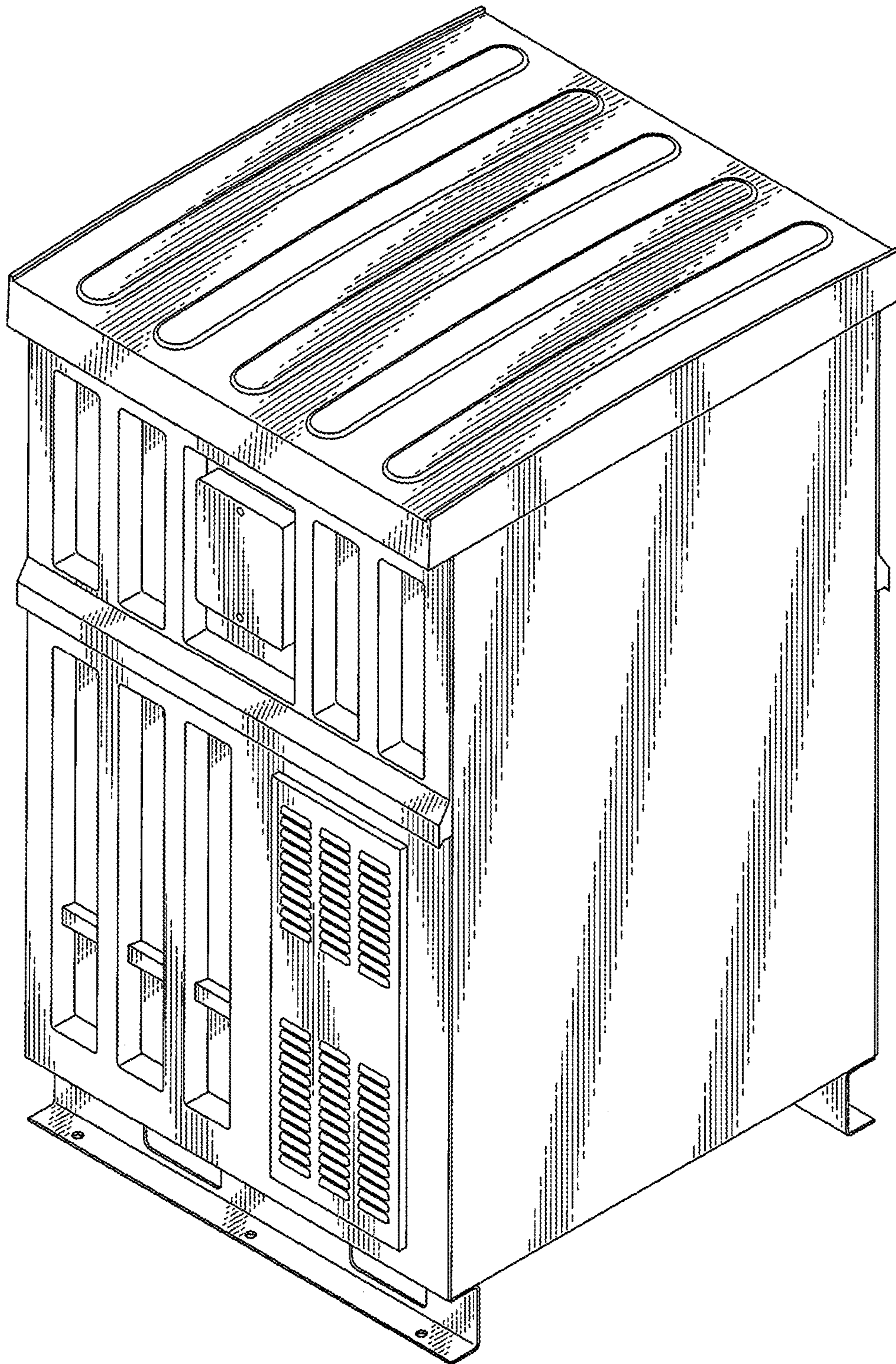


FIG.1

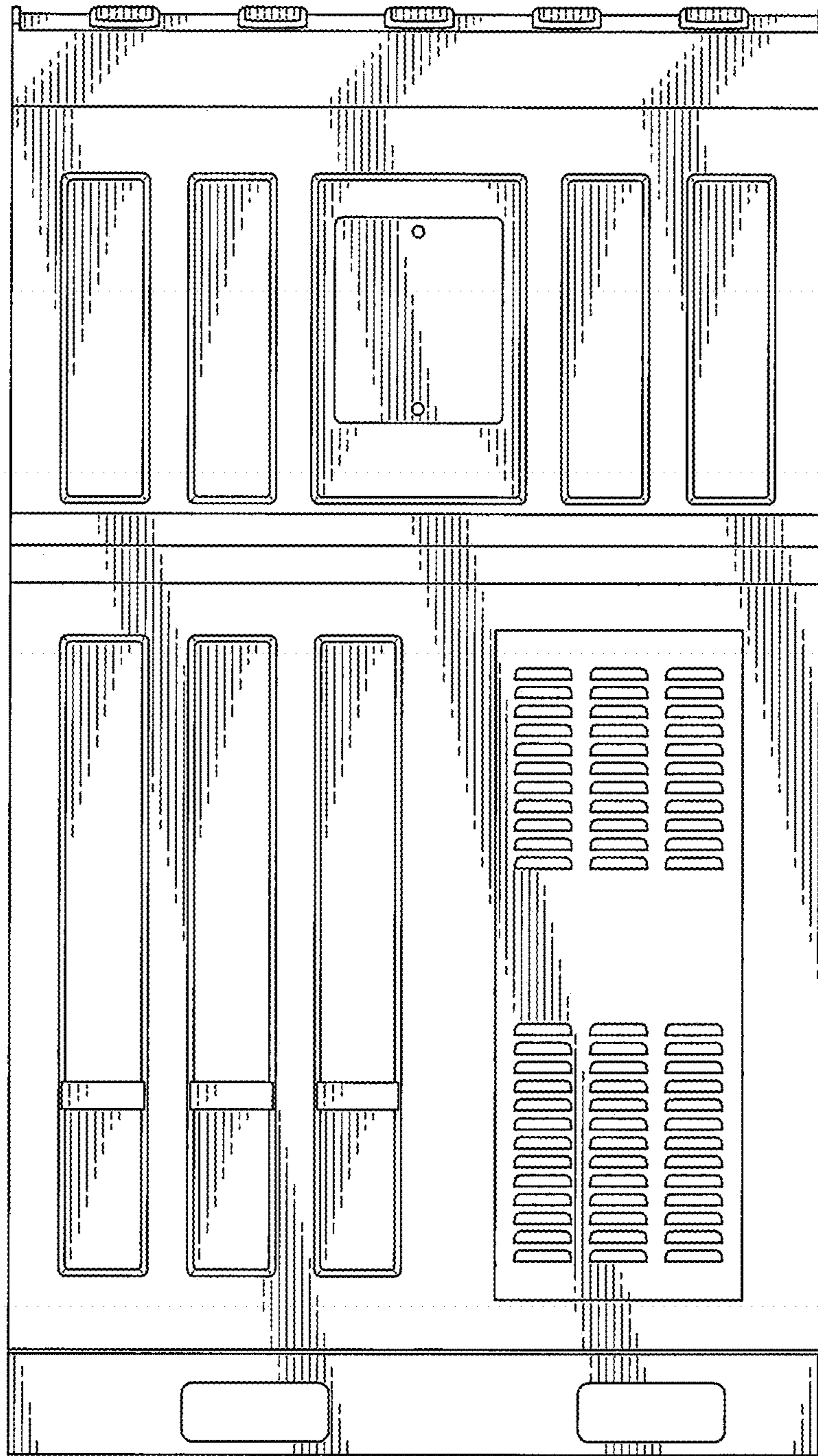


FIG.2



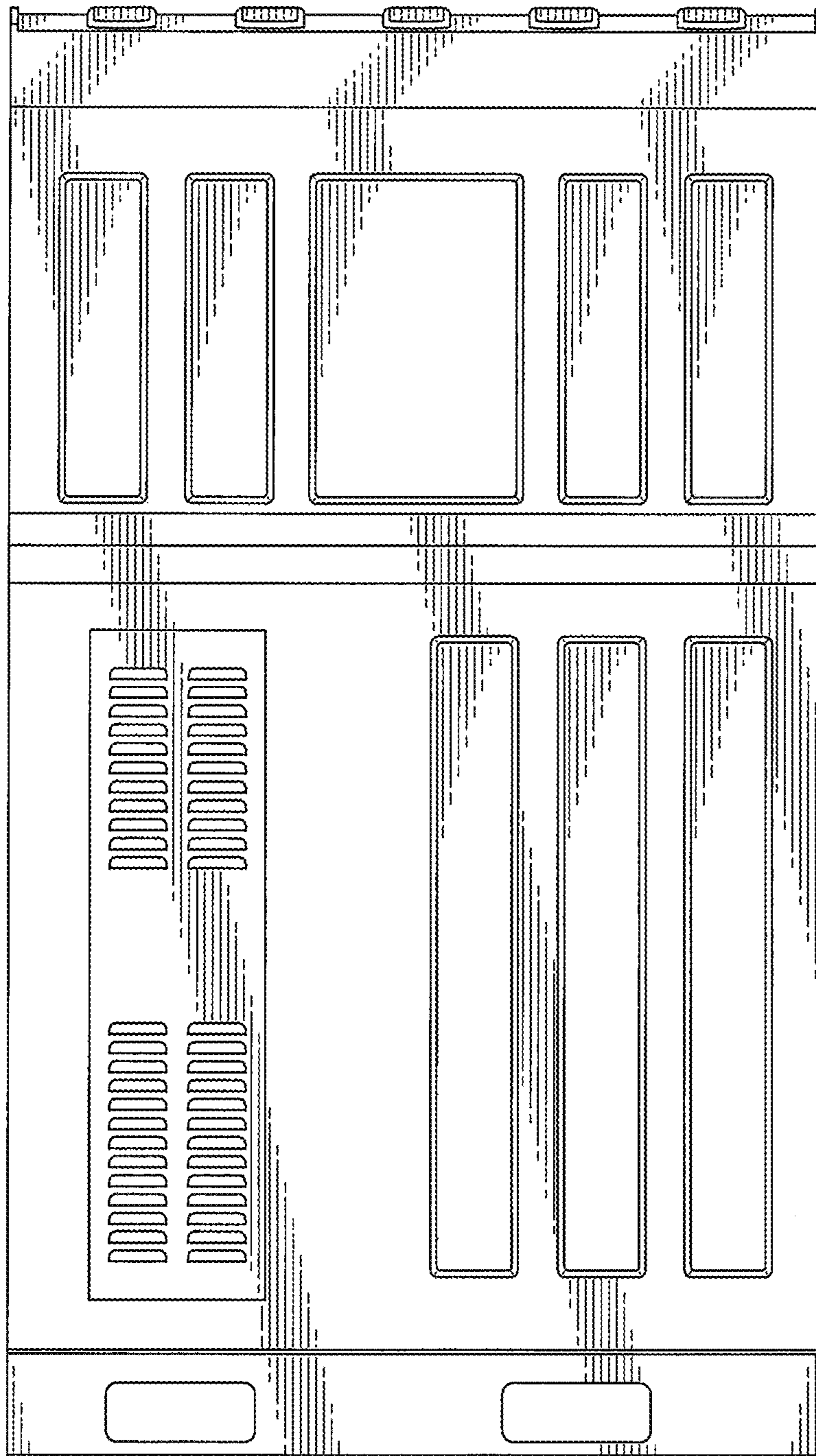


FIG.3

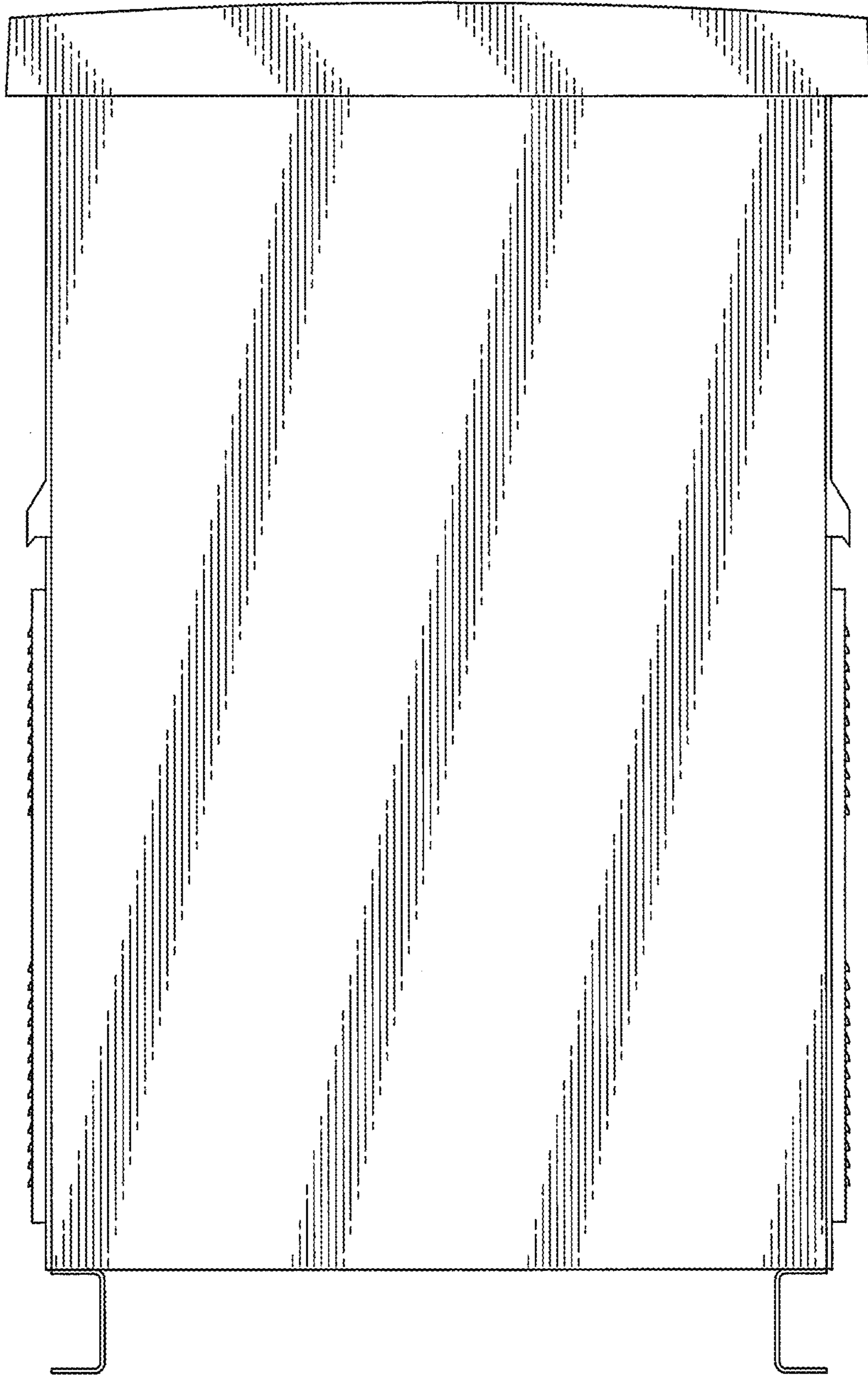


FIG.4

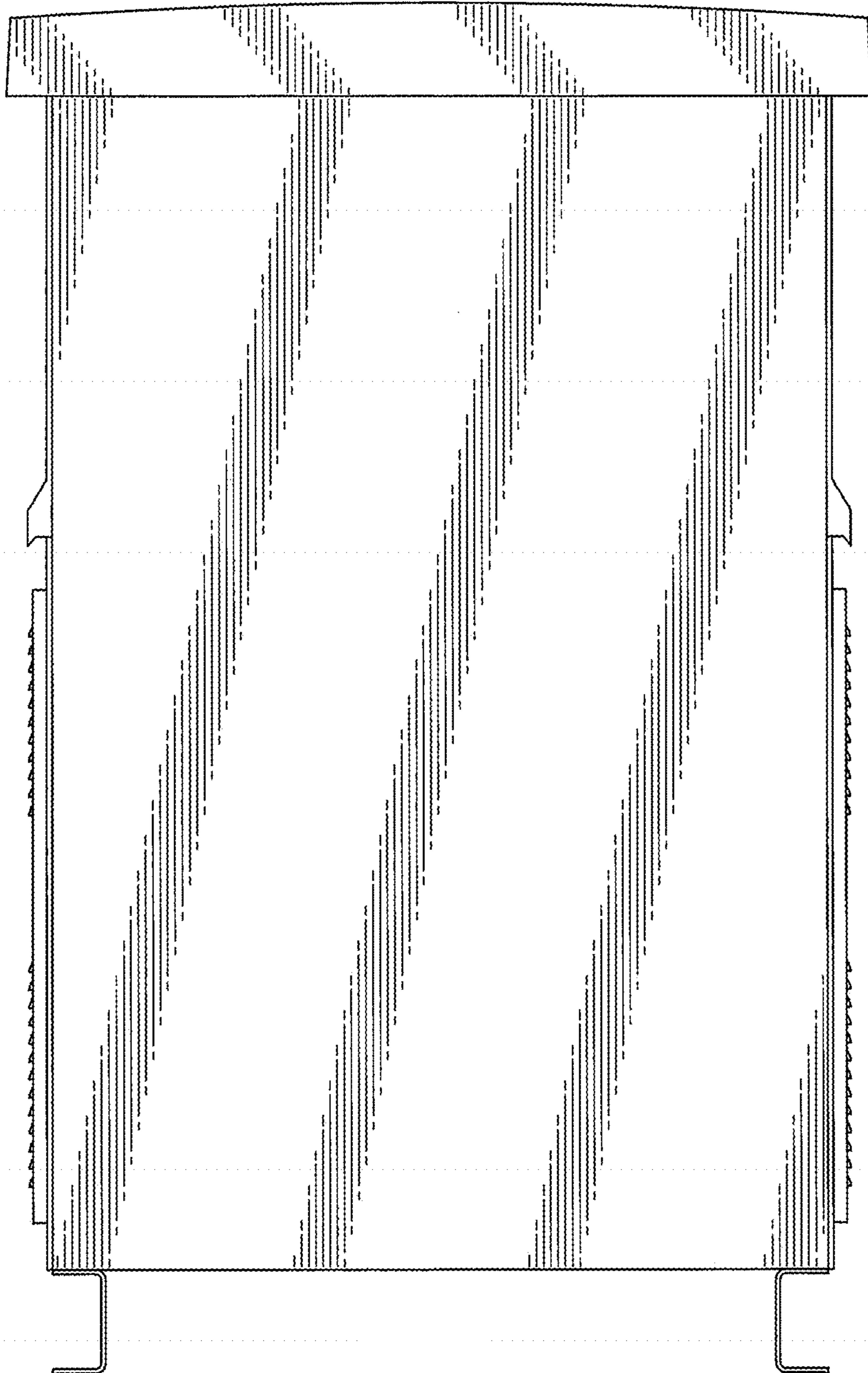


FIG.5

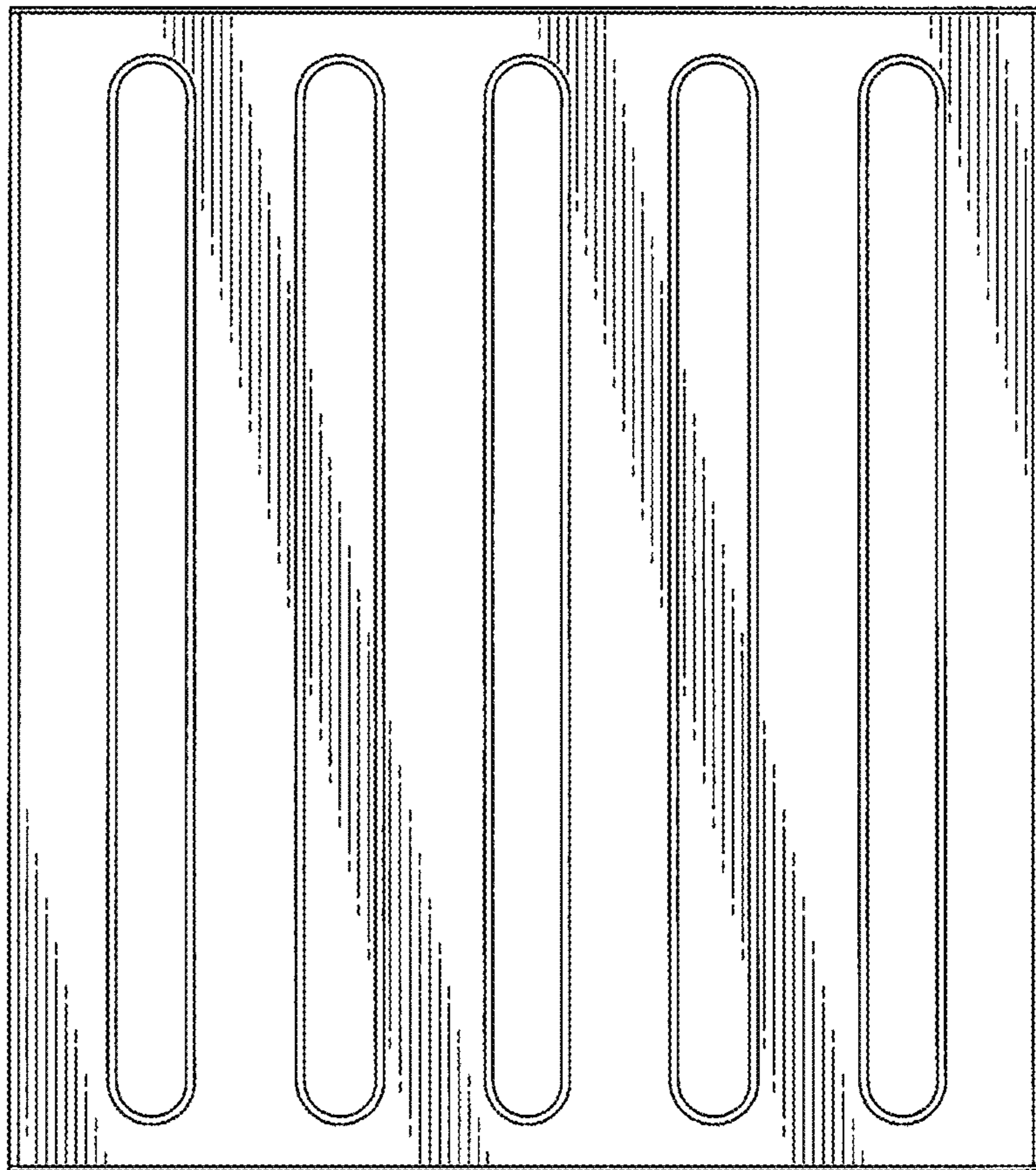


FIG.6



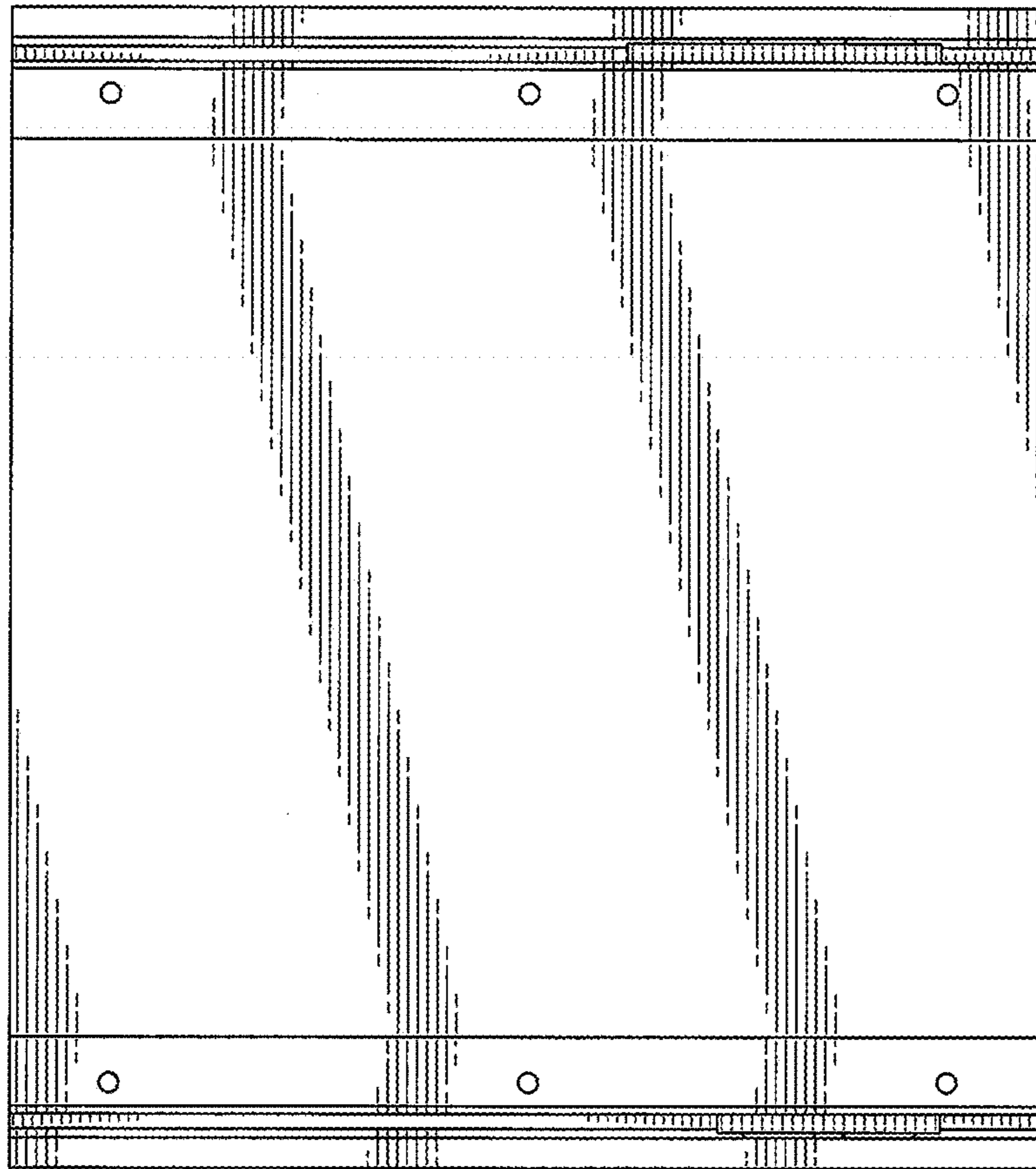


FIG.7

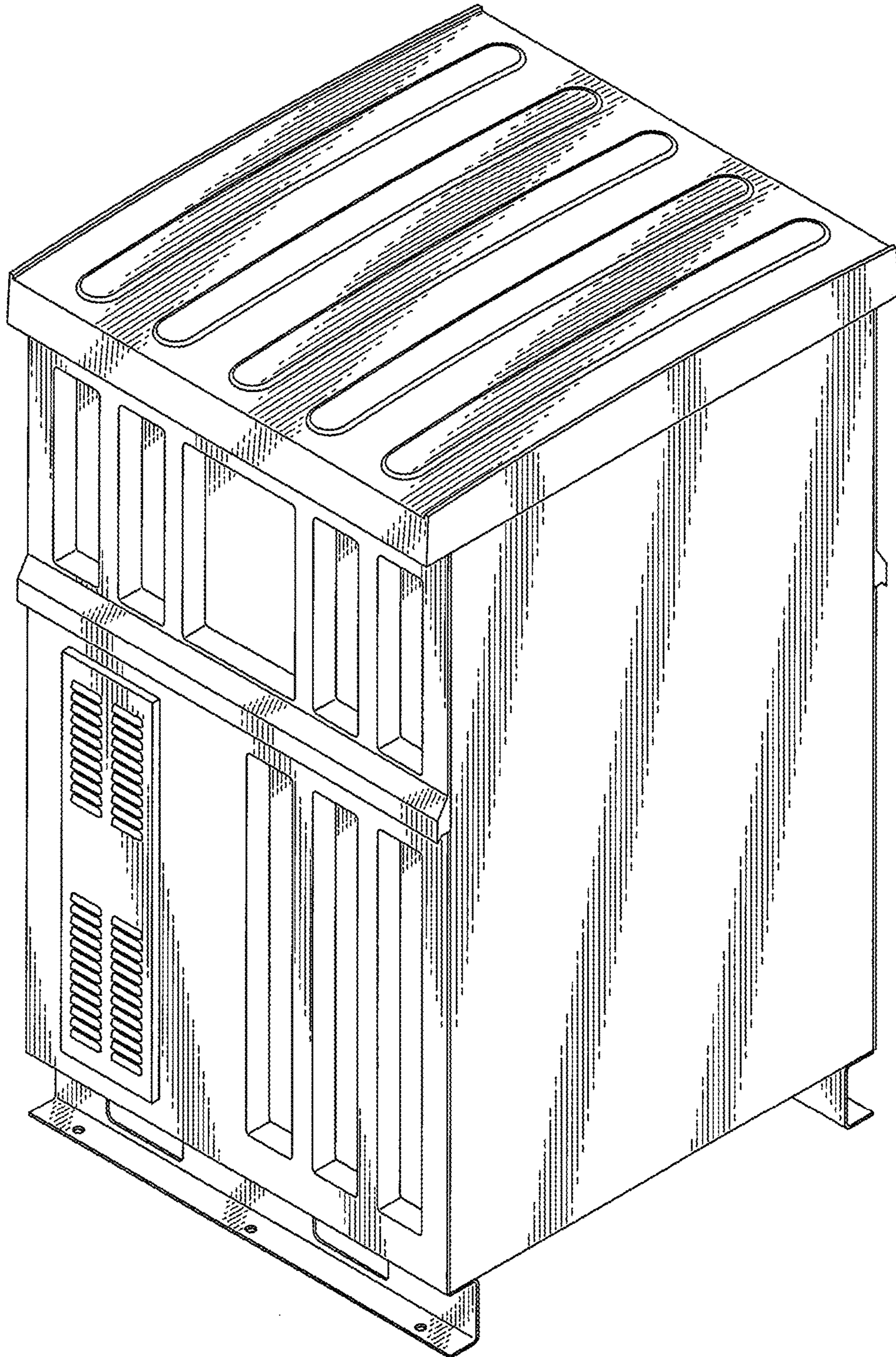


FIG.8