



US00D909295S

(12) **United States Design Patent** (10) **Patent No.:** **US D909,295 S**
Bonilla et al. (45) **Date of Patent:** **** Feb. 2, 2021**

(54) **CHARGE CENTER**
(71) Applicant: **Hubbell Incorporated**, Shelton, CT (US)
(72) Inventors: **Nelson Bonilla**, Shelton, CT (US);
Jason Walker, Bethany, CT (US);
Timothy Repp, Barkhamsted, CT (US)

(73) Assignee: **Hubbell Incorporated**, Shelton, CT (US)

(**) Term: **15 Years**

(21) Appl. No.: **29/644,480**

(22) Filed: **Apr. 18, 2018**

(51) **LOC (13) Cl.** **13-02**

(52) **U.S. Cl.**
USPC **D13/108**

(58) **Field of Classification Search**
USPC D13/107-110, 118-119, 184; D14/251, D14/253, 432, 434
CPC Y02E 60/12; Y02T 90/14; Y02T 90/122; Y02T 90/128; Y02T 90/163; H02J 7/025; H02J 7/0042; H02J 7/0044; H02J 7/0045; H02J 7/0013; H02J 7/0003; H01F 38/14; H01R 13/6675; H01M 2/1022; H01M 2/1055; H01M 10/44; H01M 10/46; H01M 10/425; B60L 11/182
See application file for complete search history.

(56) **References Cited**

U.S. PATENT DOCUMENTS

6,326,767	B1	12/2001	Small et al.	
D456,085	S *	4/2002	O'Brien	D25/56
D654,019	S *	2/2012	Ikegame	D13/108
D680,066	S *	4/2013	Kinoshita	D13/107
D710,797	S *	8/2014	Awiszus	D13/107
D722,957	S *	2/2015	Kotaniemi	D13/108
D736,703	S *	8/2015	Kotaniemi	D13/108

D755,122	S *	5/2016	Gecawicz	D13/107
D761,729	S *	7/2016	Leong	D13/108
D801,920	S *	11/2017	Yoon	D13/107
D805,030	S *	12/2017	Massar	D13/108
D823,792	S *	7/2018	Komoni	D13/107
D860,132	S *	9/2019	Fu	D13/108
D866,460	S *	11/2019	Komoni	D13/108

(Continued)

FOREIGN PATENT DOCUMENTS

EP 0926798 A1 6/1999

OTHER PUBLICATIONS

PCT/US2019/020011 International Search Report and Written Opinion dated May 2, 2019 (17 pages).

Primary Examiner — Nathaniel D. Buckner

(74) *Attorney, Agent, or Firm* — Michael Best & Friedrich, LLP

(57) **CLAIM**

We claim the ornamental design for a charge center, as shown and described.

DESCRIPTION

FIG. 1 is a top perspective view of a charge center according to another embodiment of the application.

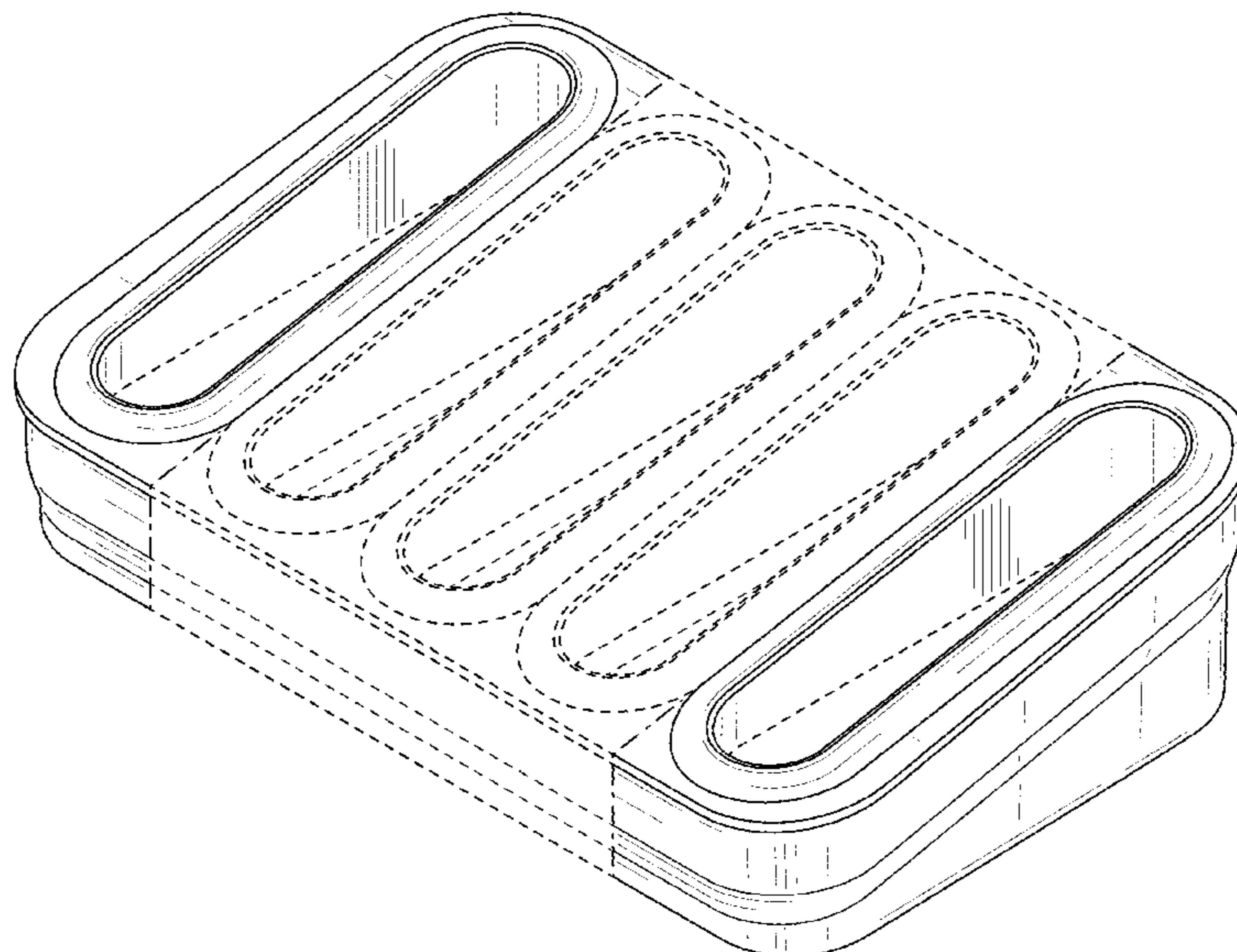
FIG. 2 is a top view of the charge center shown in FIG. 1. FIG. 3 is a bottom view of the charge center shown in FIG. 1.

FIG. 4 is a front view of the charge center shown in FIG. 1. FIG. 5 is a rear view of the charge center shown in FIG. 1. FIG. 6 is a first side view of the charge center shown in FIG. 1; and,

FIG. 7 is a second side view of the charge center shown in FIG. 1.

The broken lines in the figures depict portions of the article which form no part of the claimed design.

1 Claim, 5 Drawing Sheets



(56)

References Cited

U.S. PATENT DOCUMENTS

2011/0121790 A1 5/2011 Brandon, II
2011/0234153 A1 9/2011 Abramson
2012/0249051 A1 10/2012 Son et al.
2013/0274920 A1 10/2013 Abramson et al.
2013/0328522 A1 12/2013 Brockman et al.
2015/0123598 A1 5/2015 Tew et al.
2015/0326061 A1 11/2015 Davison et al.
2016/0088482 A1 3/2016 Zeiler et al.

* cited by examiner

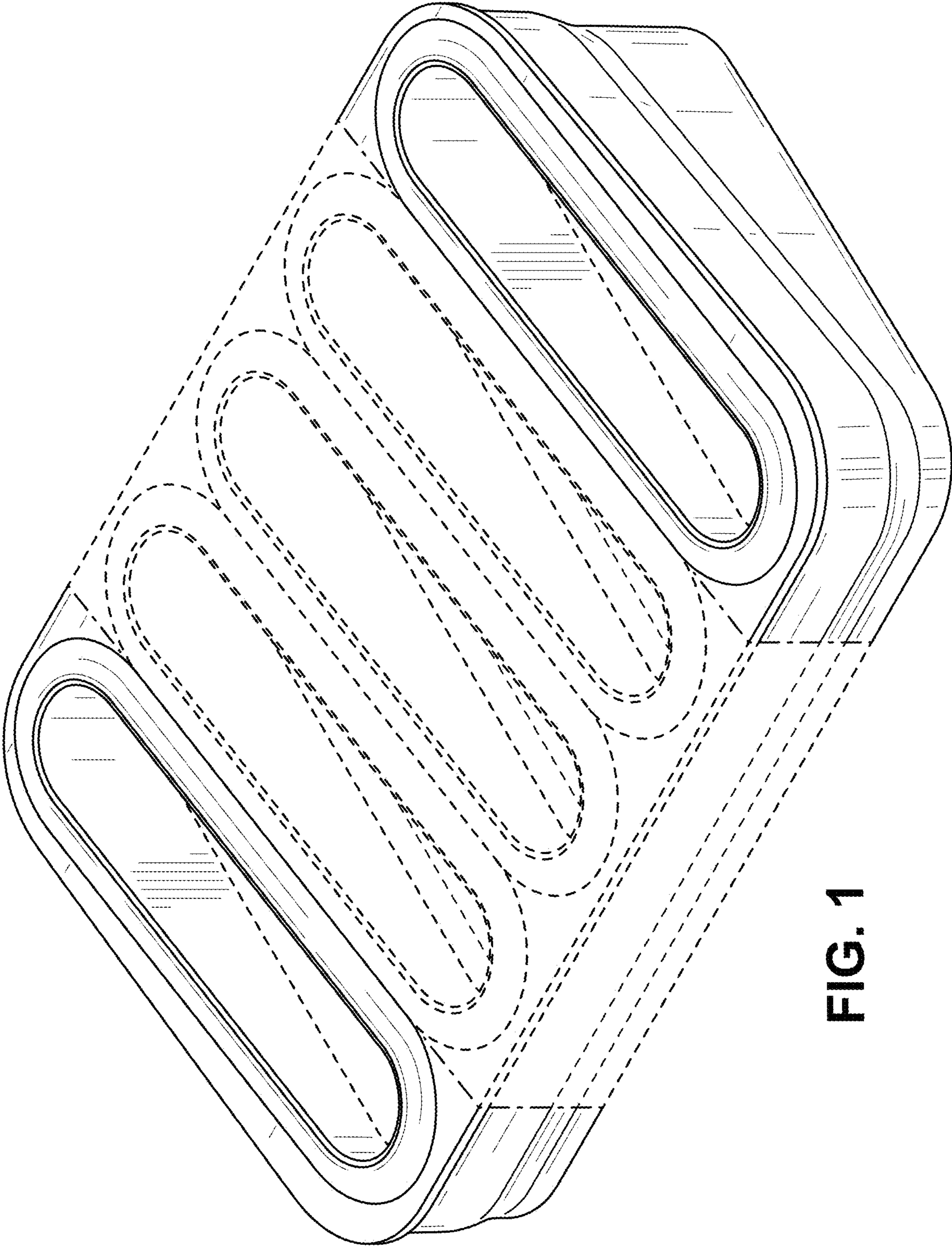


FIG. 1

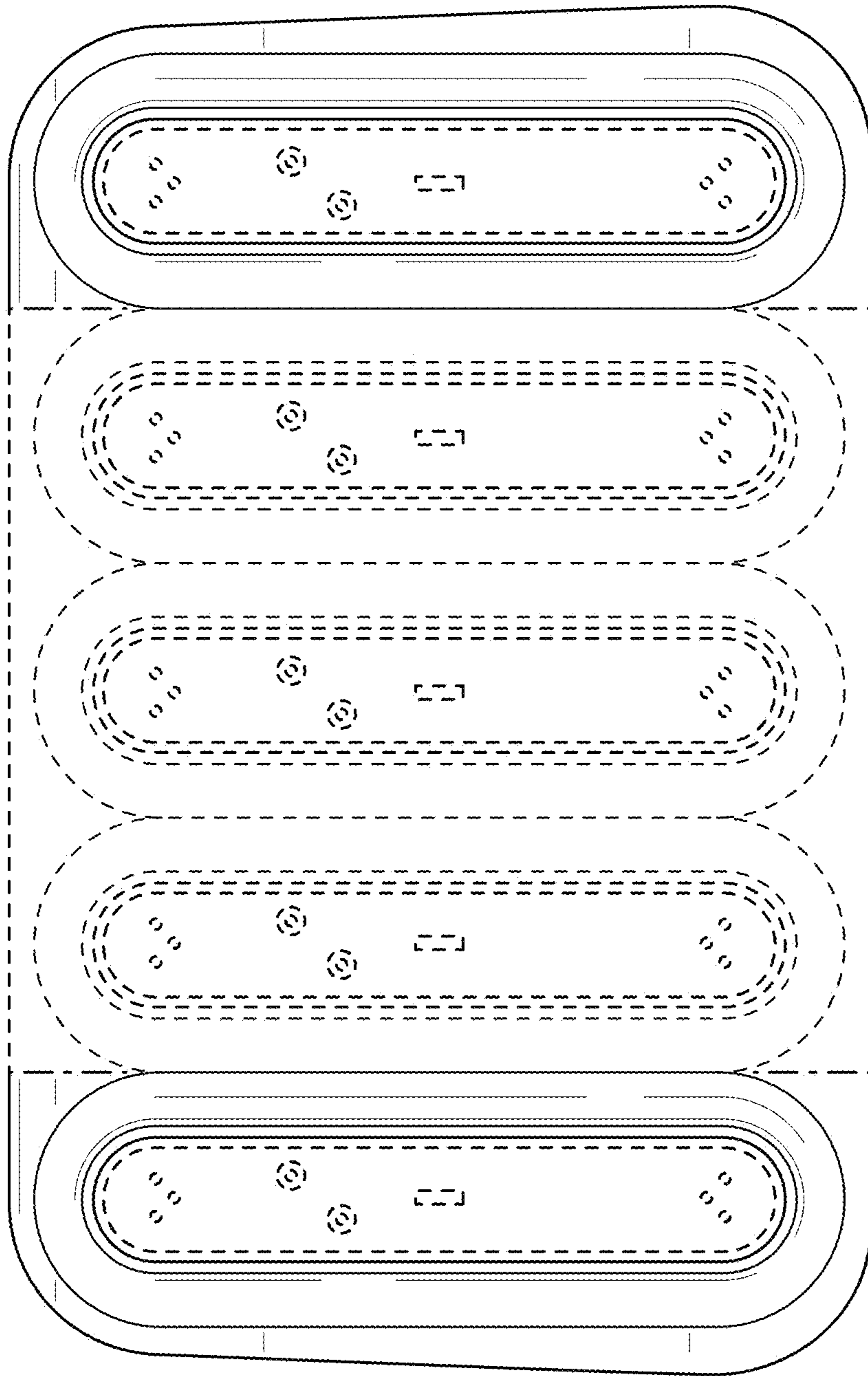


FIG. 2

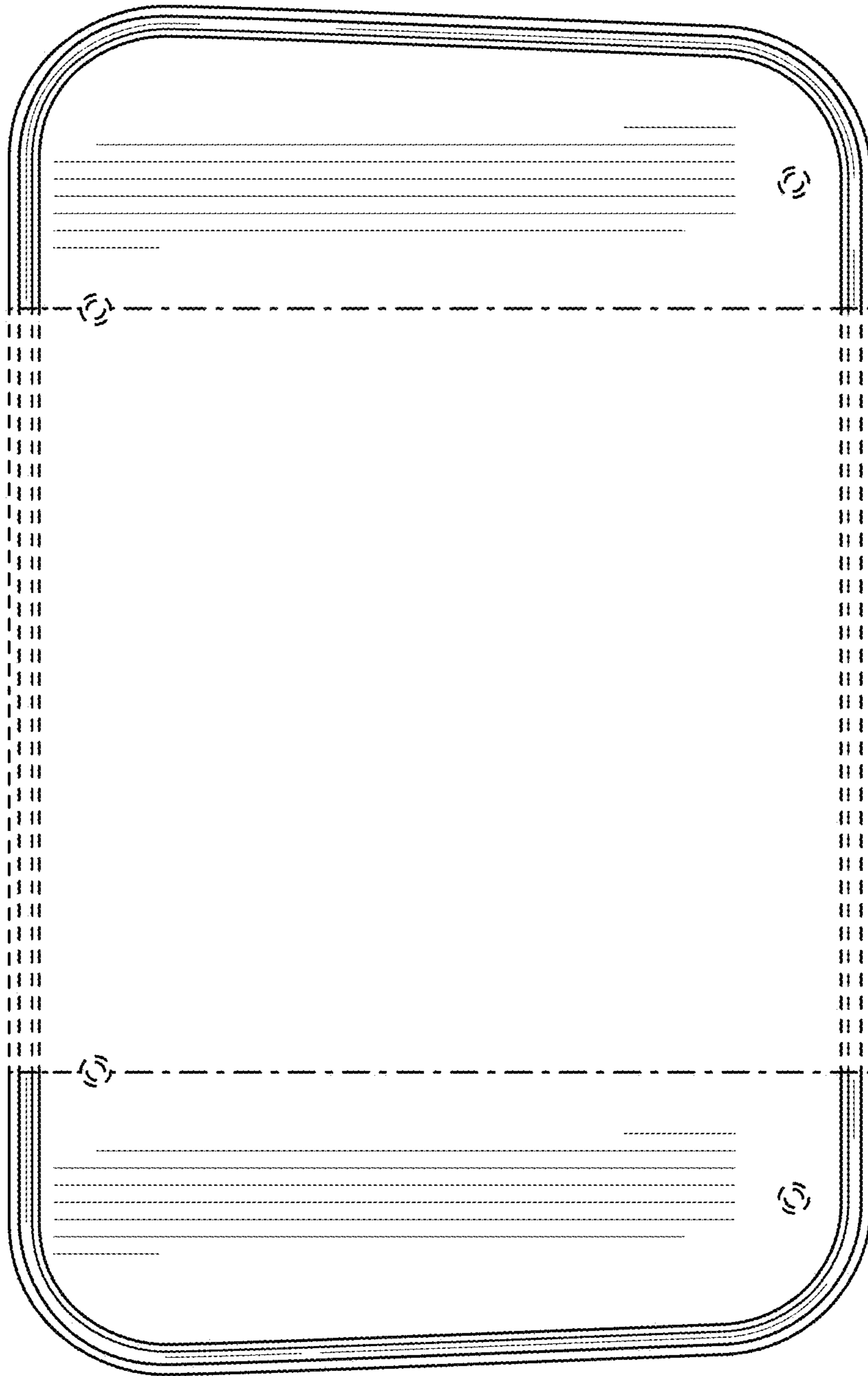


FIG. 3

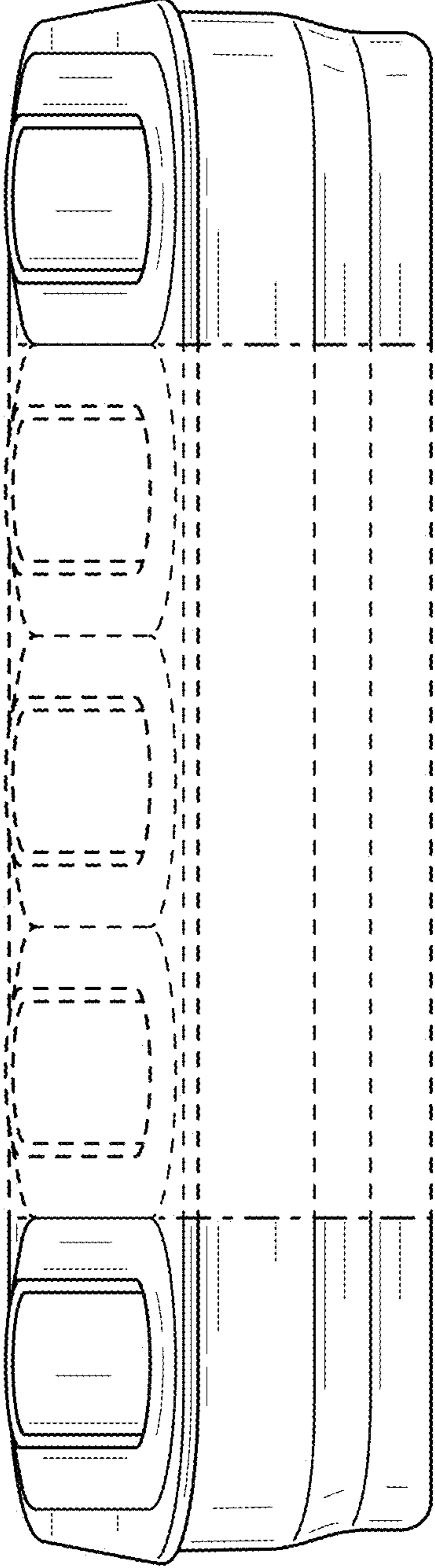


FIG. 4

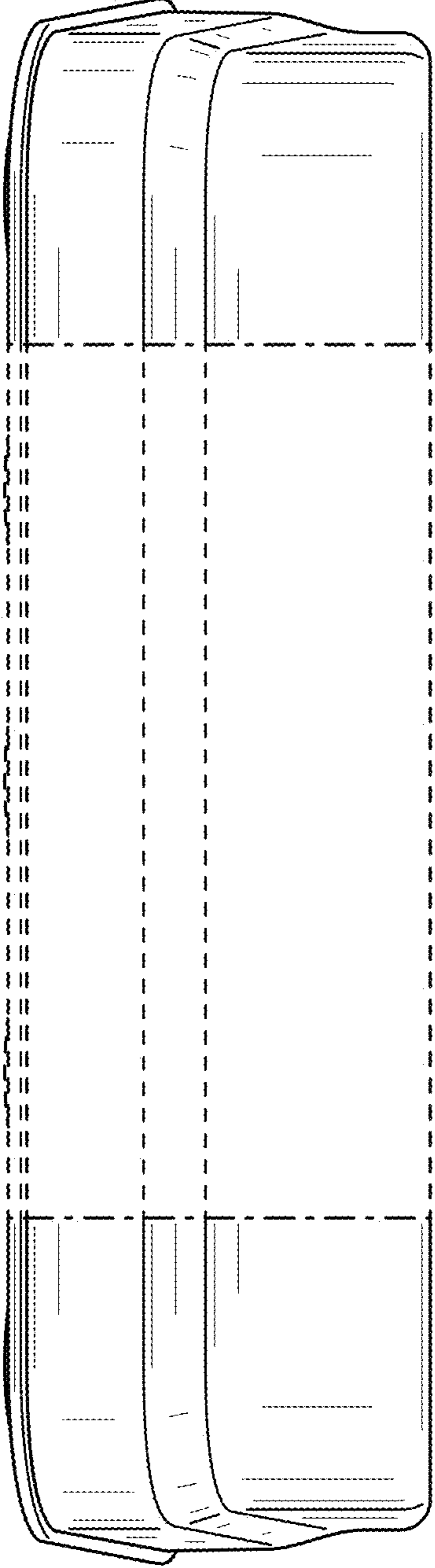


FIG. 5

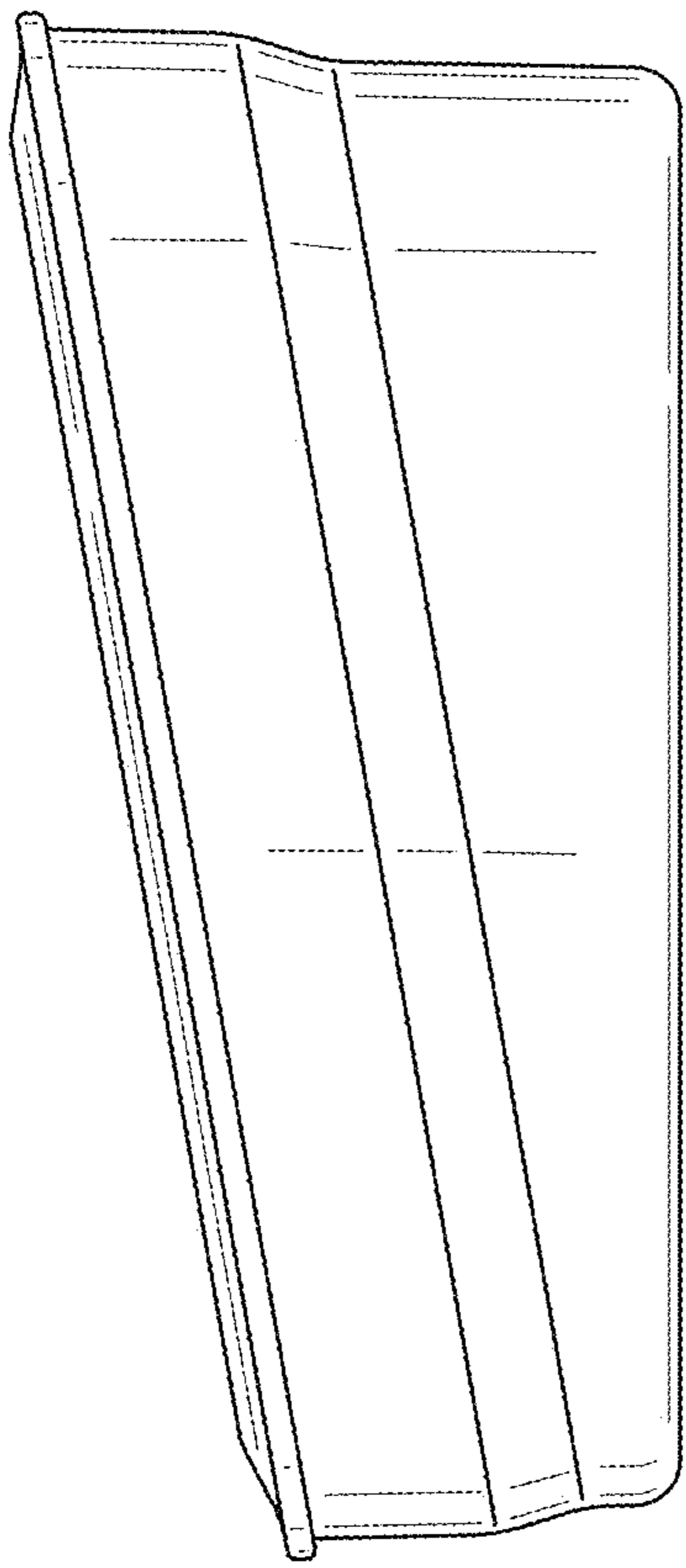


FIG. 6

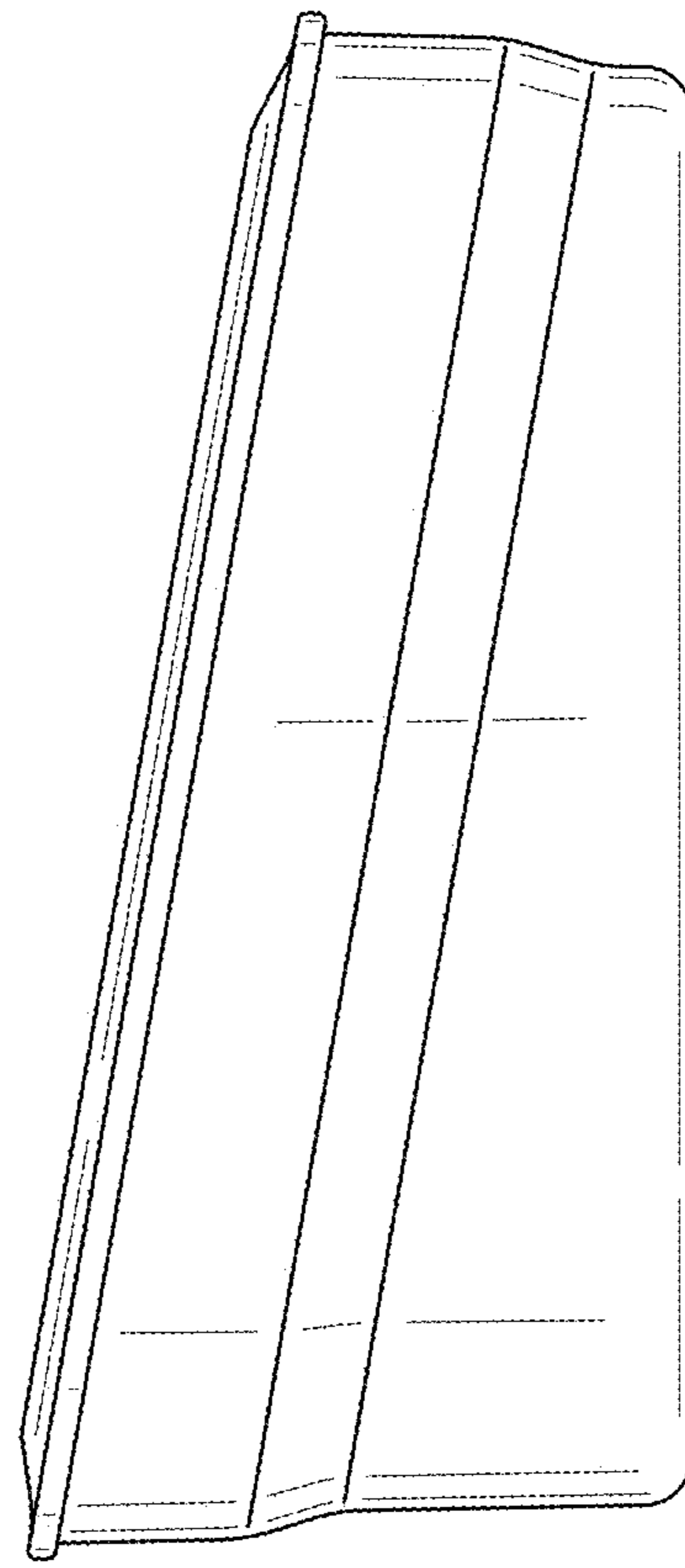


FIG. 7