



US00D909294S

(12) **United States Design Patent** (10) **Patent No.:** **US D909,294 S**  
**Wellacott et al.** (45) **Date of Patent:** **\*\* Feb. 2, 2021**

- |  |   |
|--|---|
| (54) <b>CHARGER FOR PORTABLE RADIO</b>   | 8,202,114 B2 * 6/2012 Zilmer ..... H04M 1/04<br>439/529   |
| (71) Applicants: <b>James Antony Thomas Wellacott,</b><br>Christchurch (NZ); <b>Rodney Stephen</b><br><b>Mackrell,</b> Christchurch (NZ) | 8,436,578 B2 5/2013 Smith<br>D705,211 S * 5/2014 Huang ..... D14/253<br>D752,571 S * 3/2016 Richter ..... D14/253<br>D774,453 S 12/2016 Yoneta et al.<br>D780,824 S * 3/2017 Li ..... D14/434<br>D817,872 S * 5/2018 Oguchi ..... D13/107<br>2002/0176571 A1 * 11/2002 Louh ..... B60R 11/0241<br>379/455 |
| (72) Inventors: <b>James Antony Thomas Wellacott,</b><br>Christchurch (NZ); <b>Rodney Stephen</b><br><b>Mackrell,</b> Christchurch (NZ)  | 2003/0083115 A1 * 5/2003 Kato ..... H04B 1/3877<br>455/573  |
| (73) Assignee: <b>TAIT INTERNATIONAL LIMITED,</b><br>Christchurch (NZ)   | 2005/0189423 A1 * 9/2005 Kurobe ..... G06K 7/10881<br>235/462.45  |

(Continued)

(\*\*) Term: **15 Years**

(21) Appl. No.: **29/614,639**

(22) Filed: **Aug. 21, 2017**

(51) **LOC (13) Cl.** ..... **13-02**

(52) **U.S. Cl.**  
USPC ..... **D13/108**

(58) **Field of Classification Search**  
 USPC ..... D13/107–110, 118–119, 184; D14/251,  
 D14/253, 432, 434  
 CPC ..... Y02E 60/12; Y02T 90/14; Y02T 90/122;  
 Y02T 90/128; Y02T 90/163; H02J 7/025;  
 H02J 7/0042; H02J 7/0044; H02J 7/0045;  
 H02J 7/0003; H01F 38/14; H01R  
 13/6675; H01M 2/1022; H01M 2/1055;  
 H01M 10/44; H01M 10/46; H01M  
 10/425; B60L 11/182

See application file for complete search history.

(56) **References Cited**

**U.S. PATENT DOCUMENTS**

- |                |         |          |       |                         |
|----------------|---------|----------|-------|-------------------------|
| D320,022 S *   | 9/1991  | Watanabe | ..... | D14/251                 |
| D454,340 S *   | 3/2002  | Grimm    | ..... | D14/240                 |
| 6,552,513 B1 * | 4/2003  | Li       | ..... | B60R 11/0241<br>320/107 |
| D507,526 S *   | 7/2005  | Ohta     | ..... | D13/108                 |
| D606,065 S *   | 12/2009 | Rihu     | ..... | D14/253                 |

**OTHER PUBLICATIONS**

Logic, "Intelligent In-Vehicle Charger," Advertisement, MissionCritical Communications, Jul. 2017.

(Continued)

*Primary Examiner* — Nathaniel D. Buckner  
 (74) *Attorney, Agent, or Firm* — Womble Bond Dickinson  
 (US) LLP

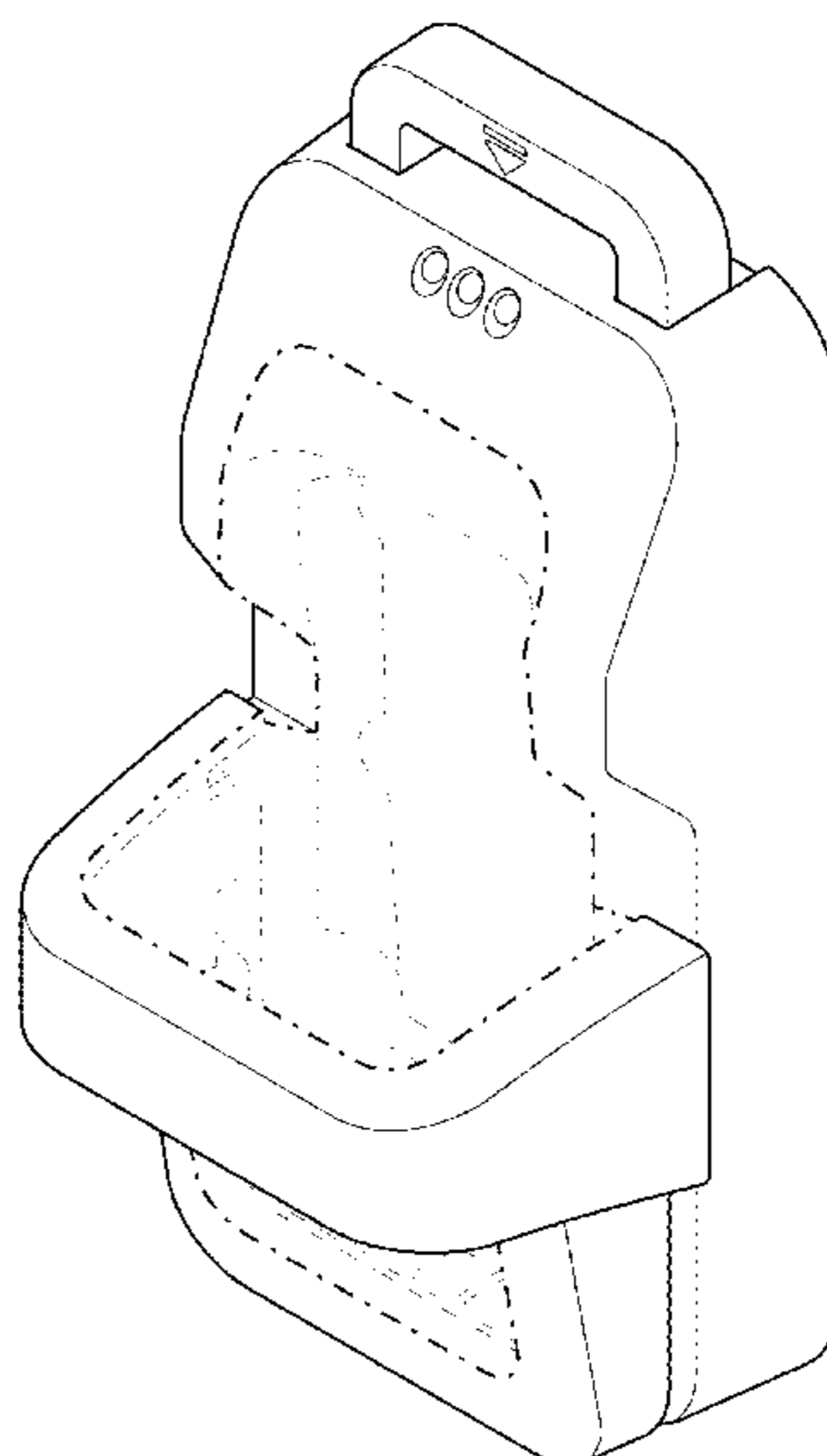
(57) **CLAIM**

The ornamental design for a charger for portable radio, as shown and described.

**DESCRIPTION**

FIG. 1 is a perspective view of a charger for portable radio showing our new design;  
 FIG. 2 is a left view of the new design;  
 FIG. 3 is a right view of the new design;  
 FIG. 4 is a front view of the new design;  
 FIG. 5 is a rear view of the new design;  
 FIG. 6 is a top view of the new design; and,  
 FIG. 7 is a bottom view of the new design.  
 The broken lines in the figures depict portions of the article which form no part of the claimed design.

**1 Claim, 6 Drawing Sheets**



(56)

**References Cited**

U.S. PATENT DOCUMENTS

2008/0142651 A1 6/2008 Tomasini et al.  
2011/0037431 A1 2/2011 Mackle  
2017/0163057 A1 6/2017 Maggert et al.

OTHER PUBLICATIONS

Tait Communications, TPA-CH-1xx Vehicle Charger Installation and User's Guide, MPA-00032-02, Issue 2, Nov. 2012, www.taitradio.com, 42 pages.

Tait Communications, Radio Power Supplies and TP9100 charger images, 2 pages.

\* cited by examiner

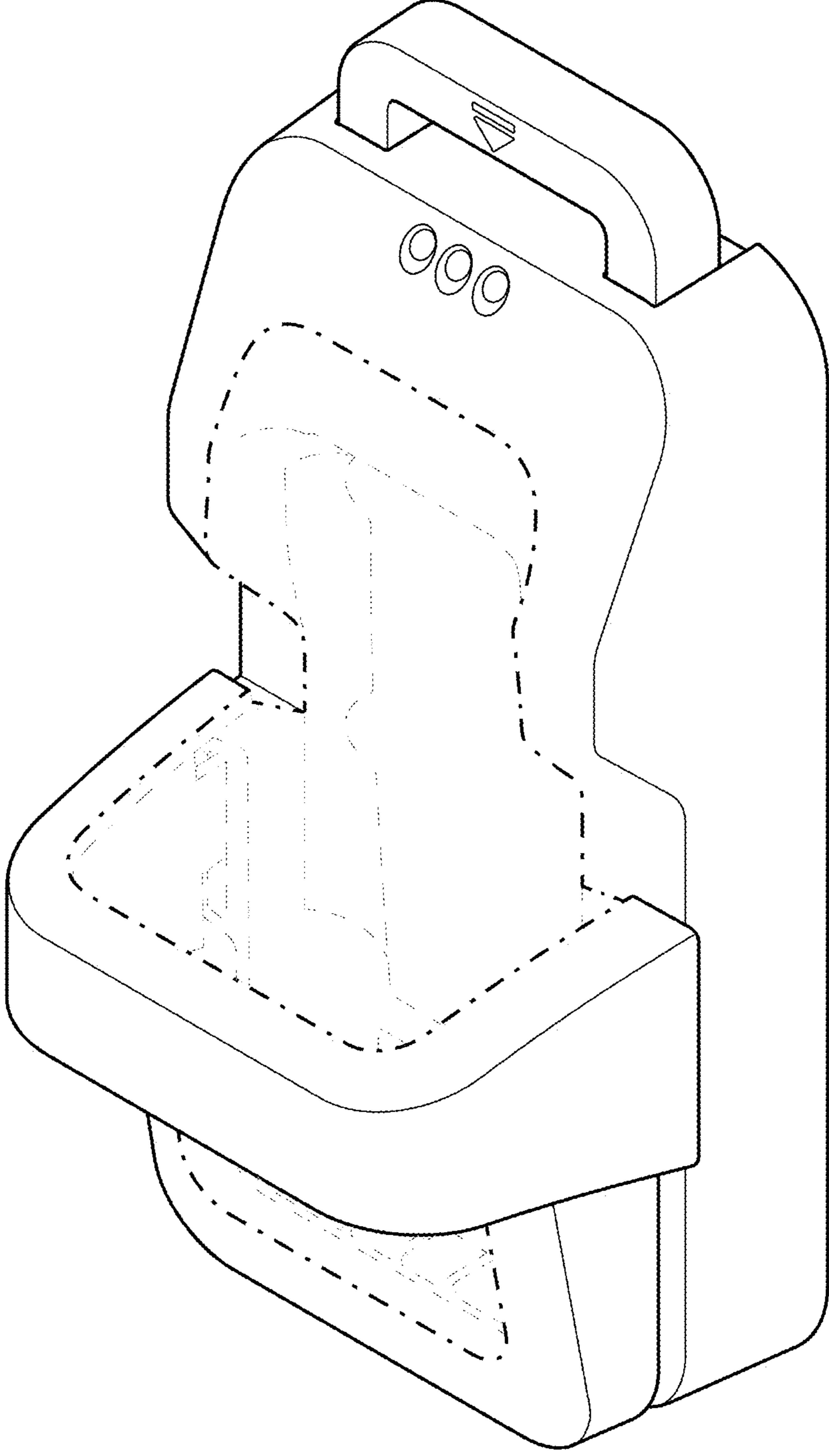


FIG.1

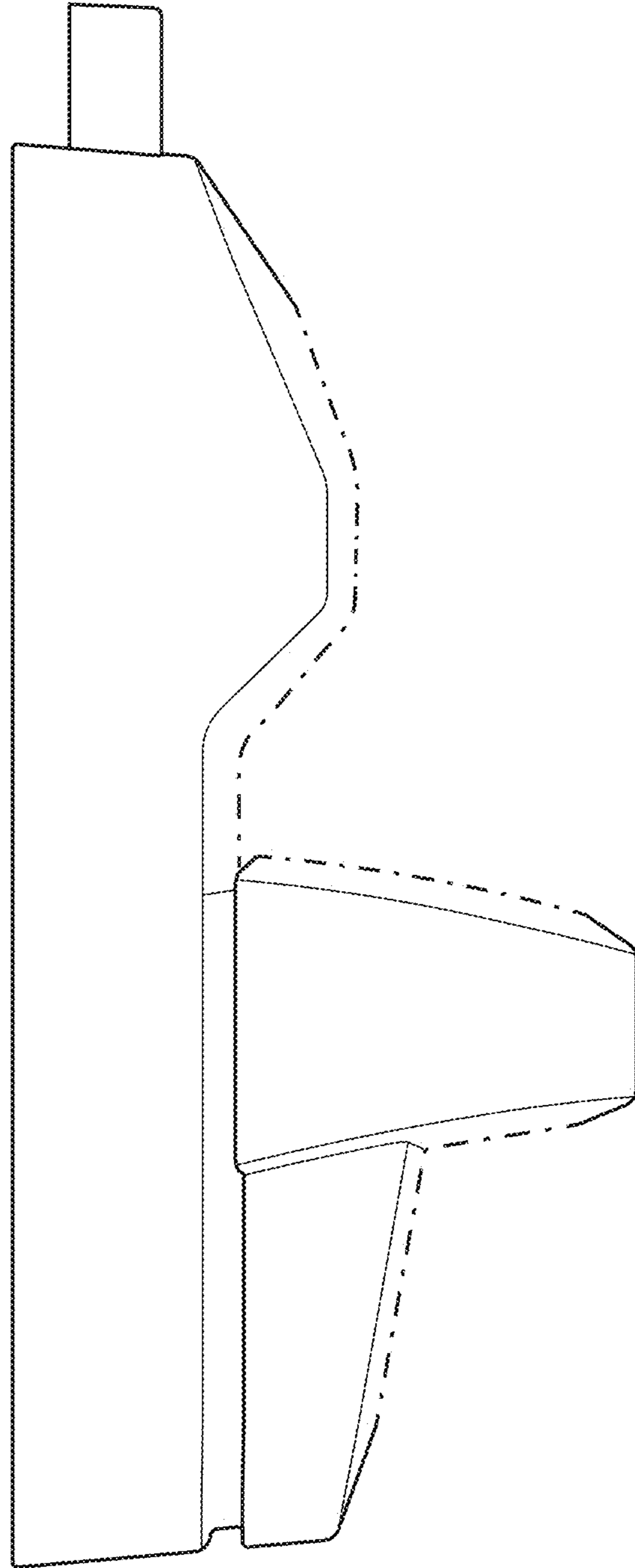


FIG.2

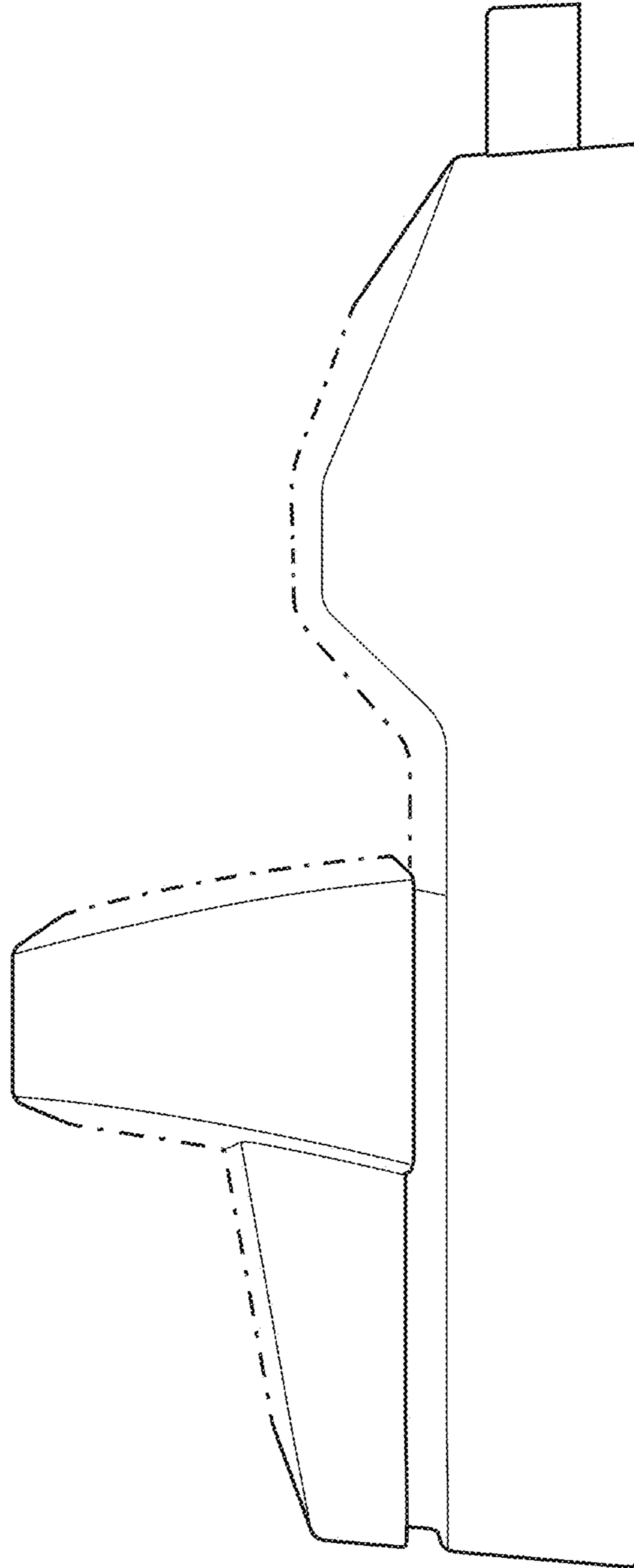


FIG.3

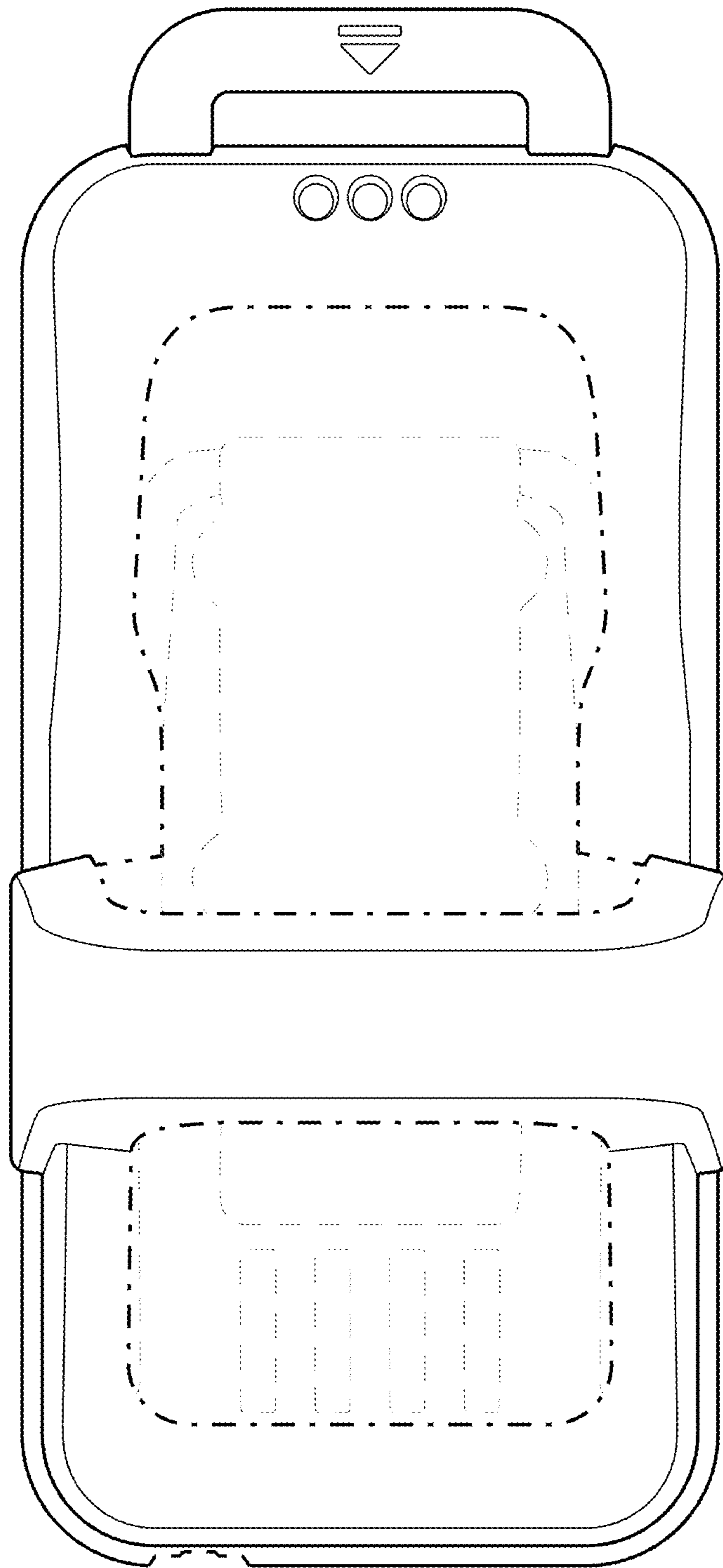


FIG.4

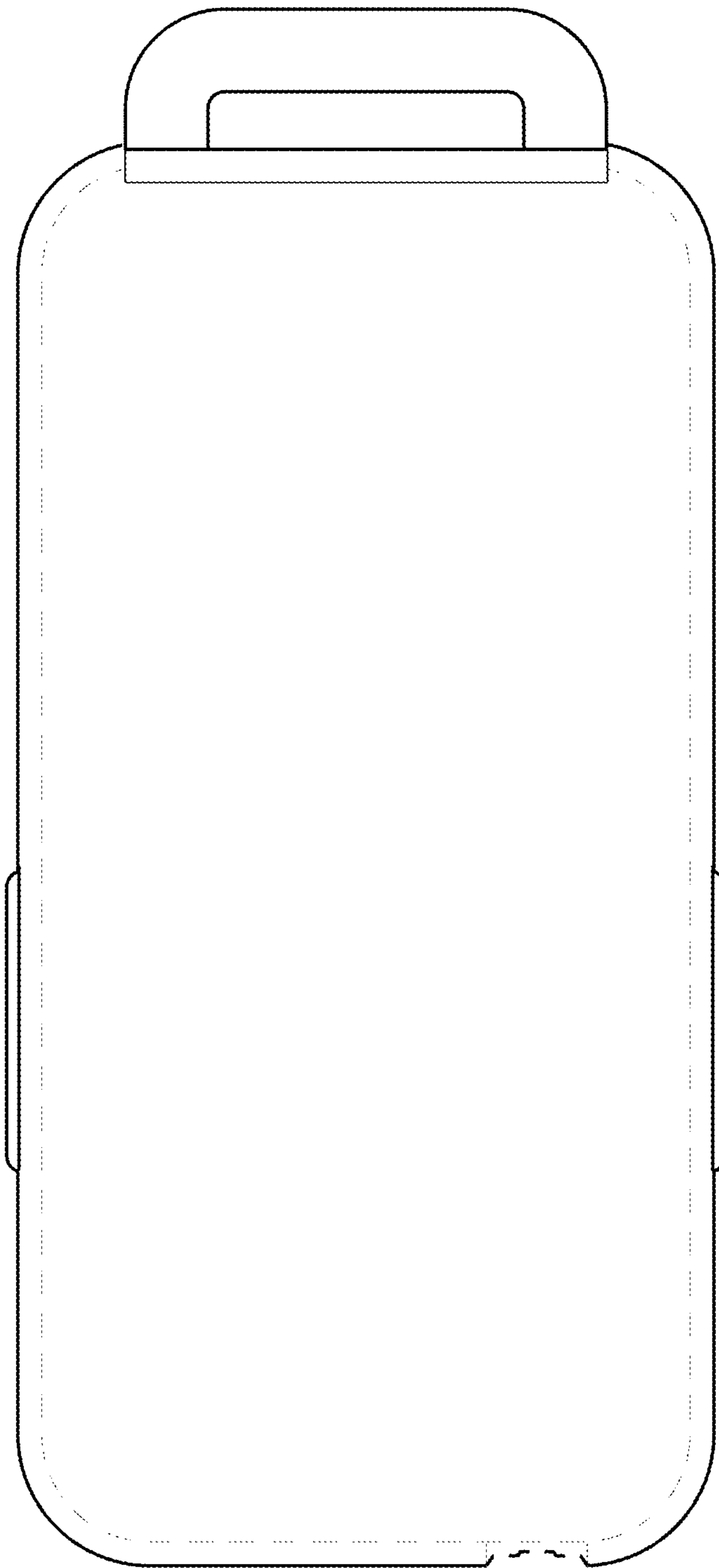


FIG.5

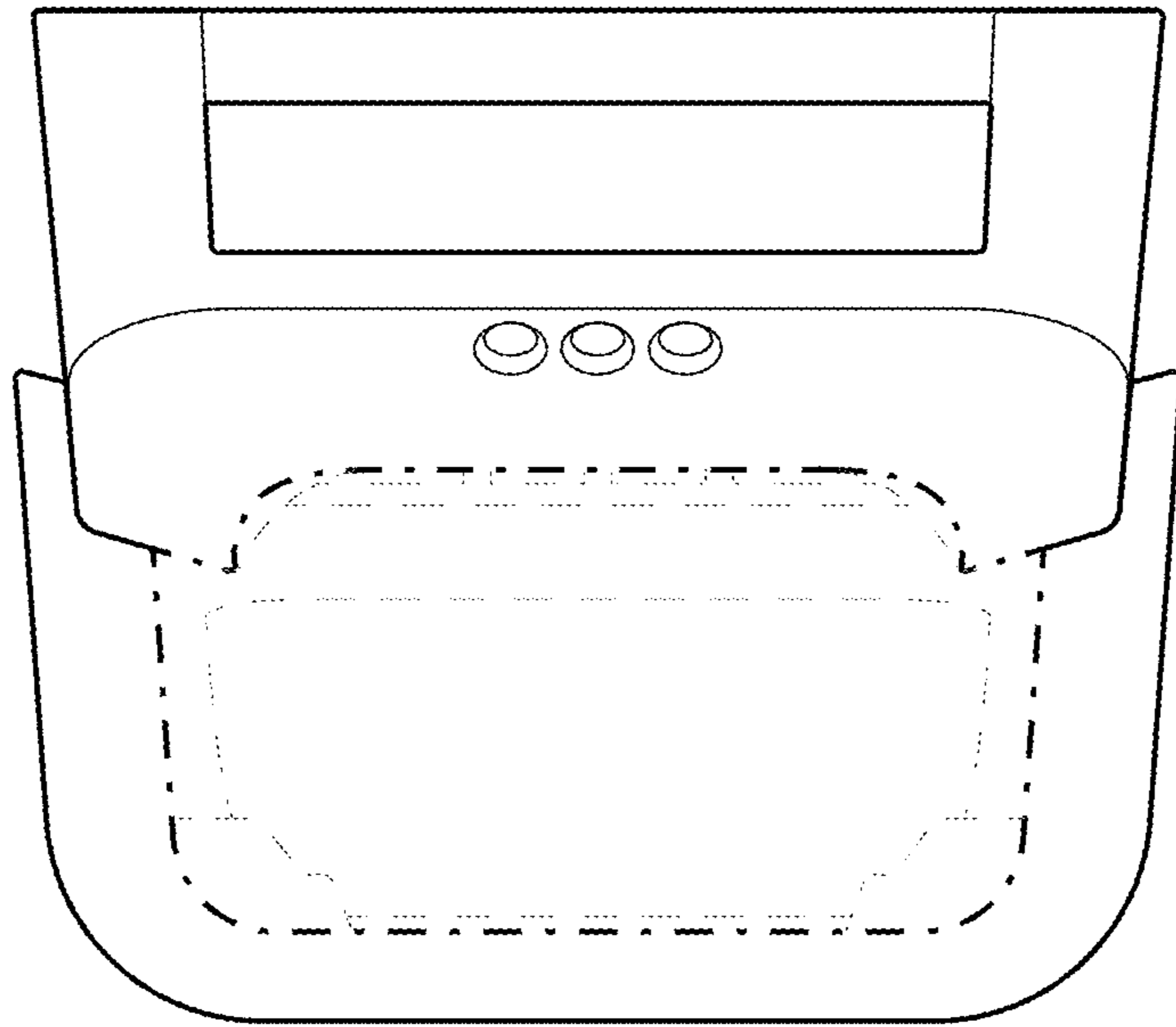


FIG.6

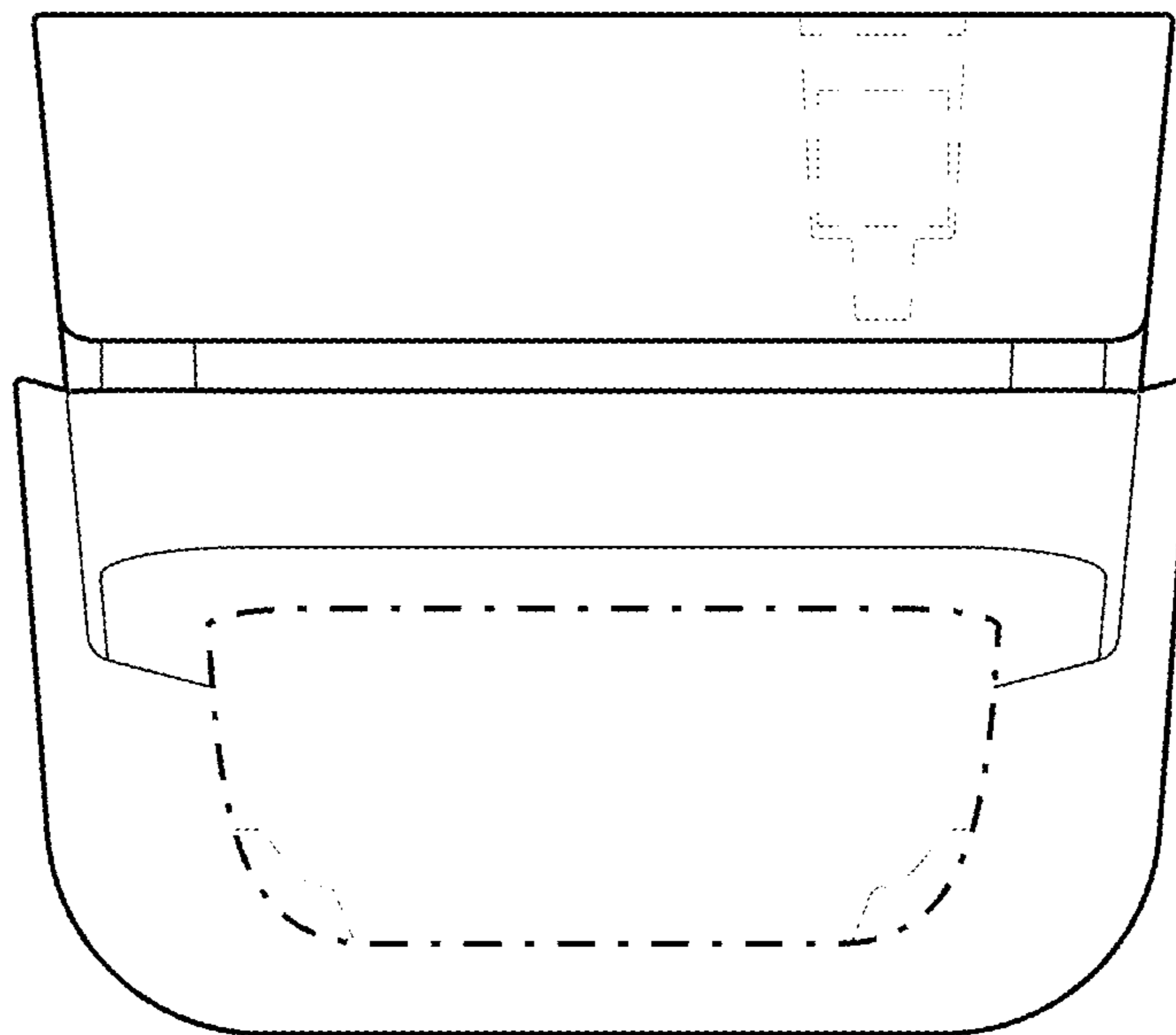


FIG.7