

US00D909291S

(12) **United States Design Patent** (10) **Patent No.:** **US D909,291 S**
Lucas et al. (45) **Date of Patent:** **** Feb. 2, 2021**

(54) **BATTERY**
(71) Applicant: **Zebra Technologies Corporation**,
Lincolnshire, IL (US)
(72) Inventors: **James Lucas**, Coventry, RI (US);
Anthony Ross Helberg, Attleboro, MA
(US); **Robert Hutnak**, Douglas, MA
(US); **Yun Hua**, Broadview Heights,
OH (US)
(73) Assignee: **Zebra Technologies Corporation**,
Lincolnshire, IL (US)

D534,491 S 1/2007 Panebianco et al.
D538,225 S * 3/2007 Lyman D13/103
D538,226 S 3/2007 Lyman et al.
D591,231 S * 4/2009 Wung D13/103
D686,570 S 7/2013 Hutnak
D727,254 S * 4/2015 Kinoshita D13/103
D757,645 S * 5/2016 Oliver D13/103
D759,590 S * 6/2016 Wang D13/119
D822,594 S 7/2018 Corvese
D825,464 S * 8/2018 Xie D13/119
D853,320 S * 7/2019 Guo D13/103
D861,605 S * 10/2019 Yang D13/119
D861,606 S * 10/2019 Yang D13/119

(**) Term: **15 Years**
(21) Appl. No.: **29/673,832**
(22) Filed: **Dec. 18, 2018**
(51) **LOC (13) Cl.** **13-02**
(52) **U.S. Cl.**
USPC **D13/103**
(58) **Field of Classification Search**
USPC D13/102-110, 118-119, 184
CPC Y02E 60/10; Y02E 60/12; Y02E 60/122;
Y02E 60/124; Y02E 60/50; H01M 2/02;
H01M 2/022; H01M 2/0202; H01M
2/0207; H01M 2/0212; H01M 2/1061;
H01M 2/1022; H01M 2/1055; H01M
2/1066; H01M 2/105; H01M 2/20; H01M
2/202; H01M 2/204; H01M 2/206; H01M
10/44; H01M 10/46; H01M 10/465;
H01M 10/482; H01M 2200/30; H01M
2250/30; H01M 2250/40; H02J 7/00;
H02J 7/0003; H02J 7/0011; H02J 7/0013;
H02J 7/0054; H02J 7/0055; H02J 7/0057;
H02J 2007/0062
See application file for complete search history.

(56) **References Cited**
U.S. PATENT DOCUMENTS
D374,424 S * 10/1996 Nagele D13/103
D376,127 S * 12/1996 Nagele D13/103

OTHER PUBLICATIONS

Zebra P1031365-059 Power Precision 2450mAh Li-ion Recharge-
able Battery Power Supply, Zebra, reviewed on Sep. 28, 2015 on
amazon.com, retrieved on May 13, 2020, retrieved from the Internet
URL: <https://www.amazon.com/Zebra-Technologies-P1031365-059-Accessory-Printer/dp/B00C2072WK>. *
ZQ300 Mobile Label and receipt Printer Series Specification Sheet,
p. 3.

* cited by examiner

Primary Examiner — Catherine S Posthauer
Assistant Examiner — Alison M Ofstun

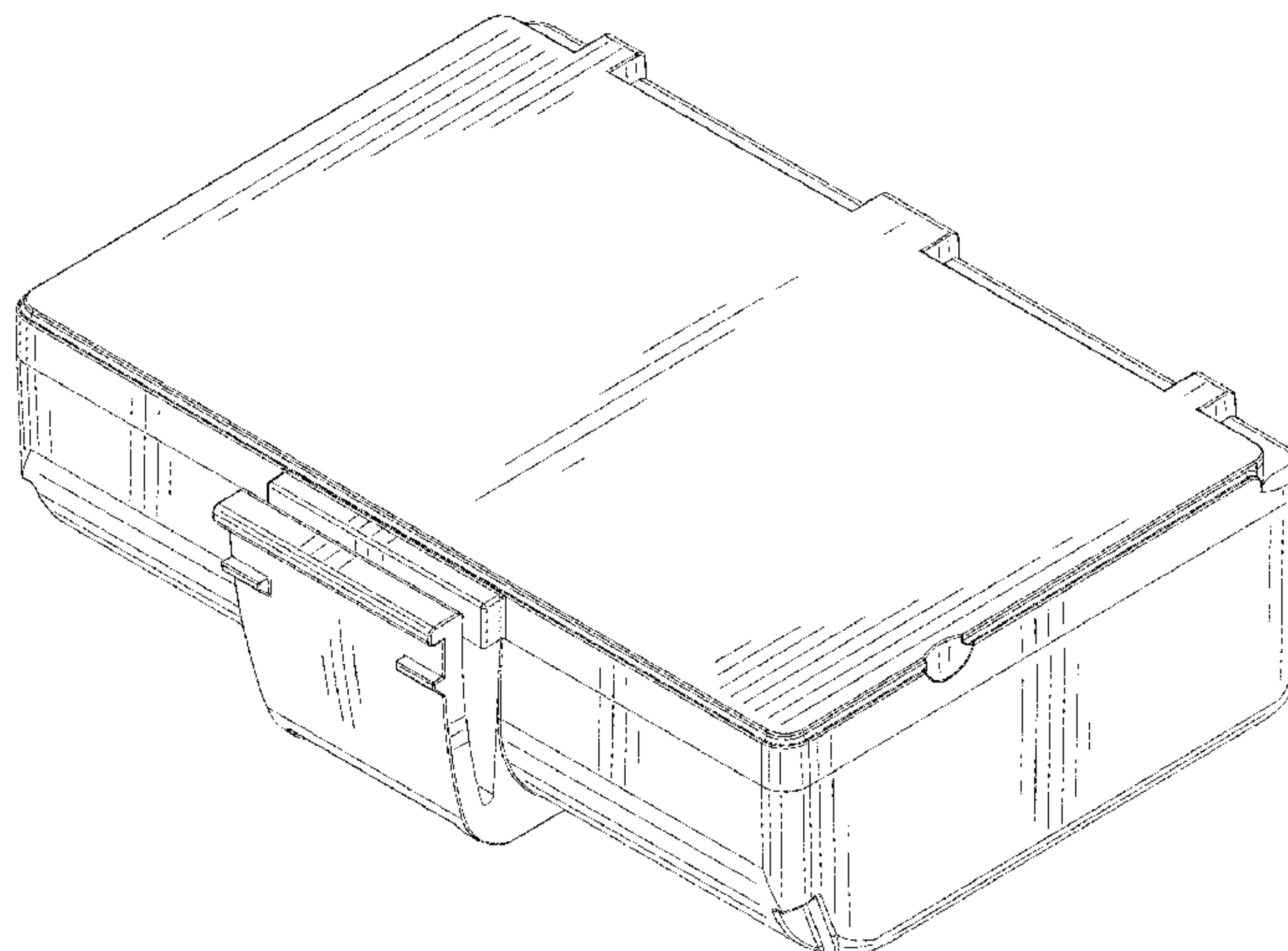
(57) **CLAIM**

The ornamental design for a battery, as shown and described.

DESCRIPTION

FIG. 1 is a rear perspective view of a battery;
FIG. 2 is a front perspective view thereof;
FIG. 3 is a rear view thereof;
FIG. 4 is a front view thereof;
FIG. 5 is a top view thereof;
FIG. 6 is a bottom view thereof;
FIG. 7 is a first side view thereof; and,
FIG. 8 is a second side view thereof.

1 Claim, 7 Drawing Sheets



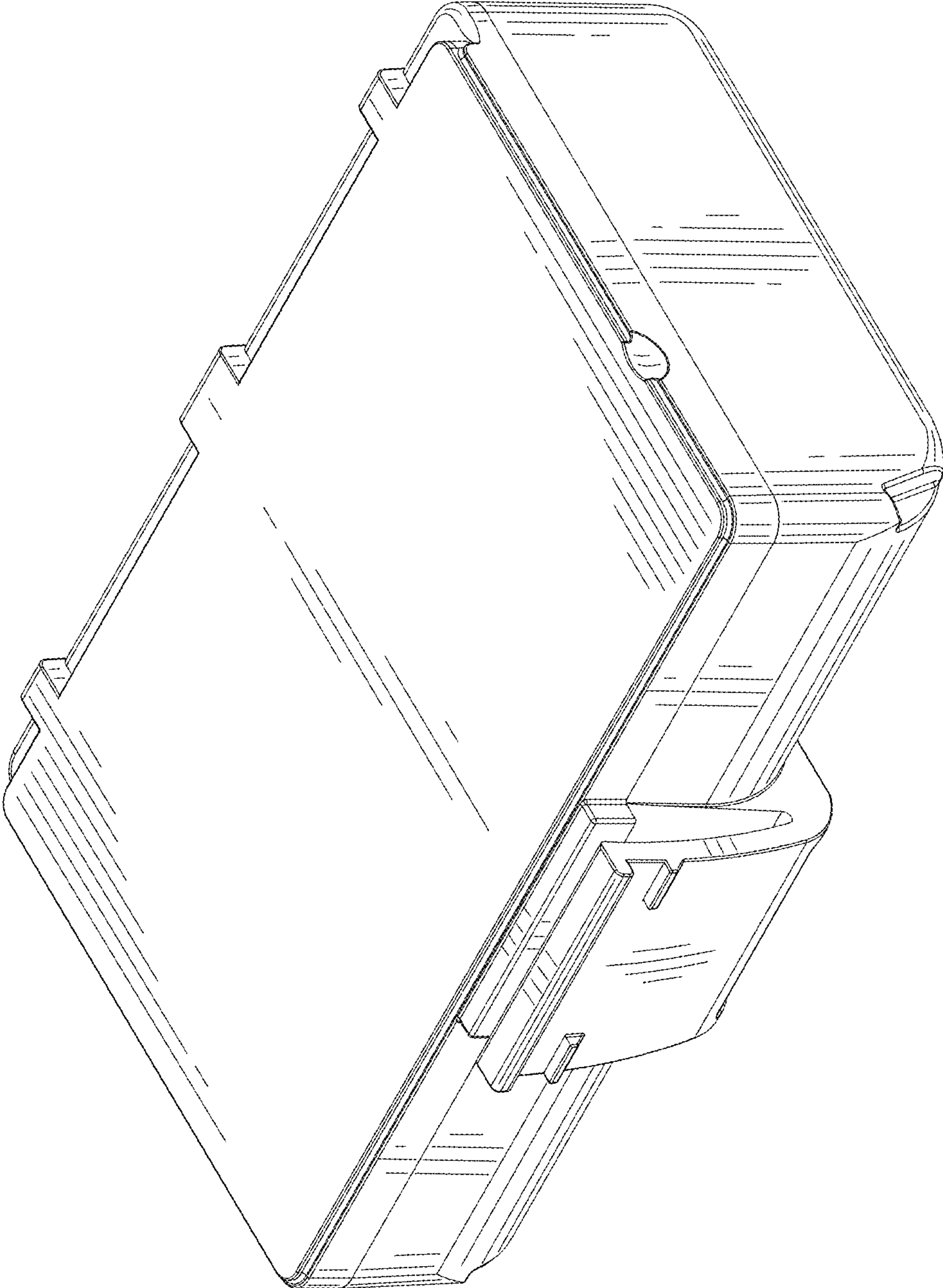


FIG. 1

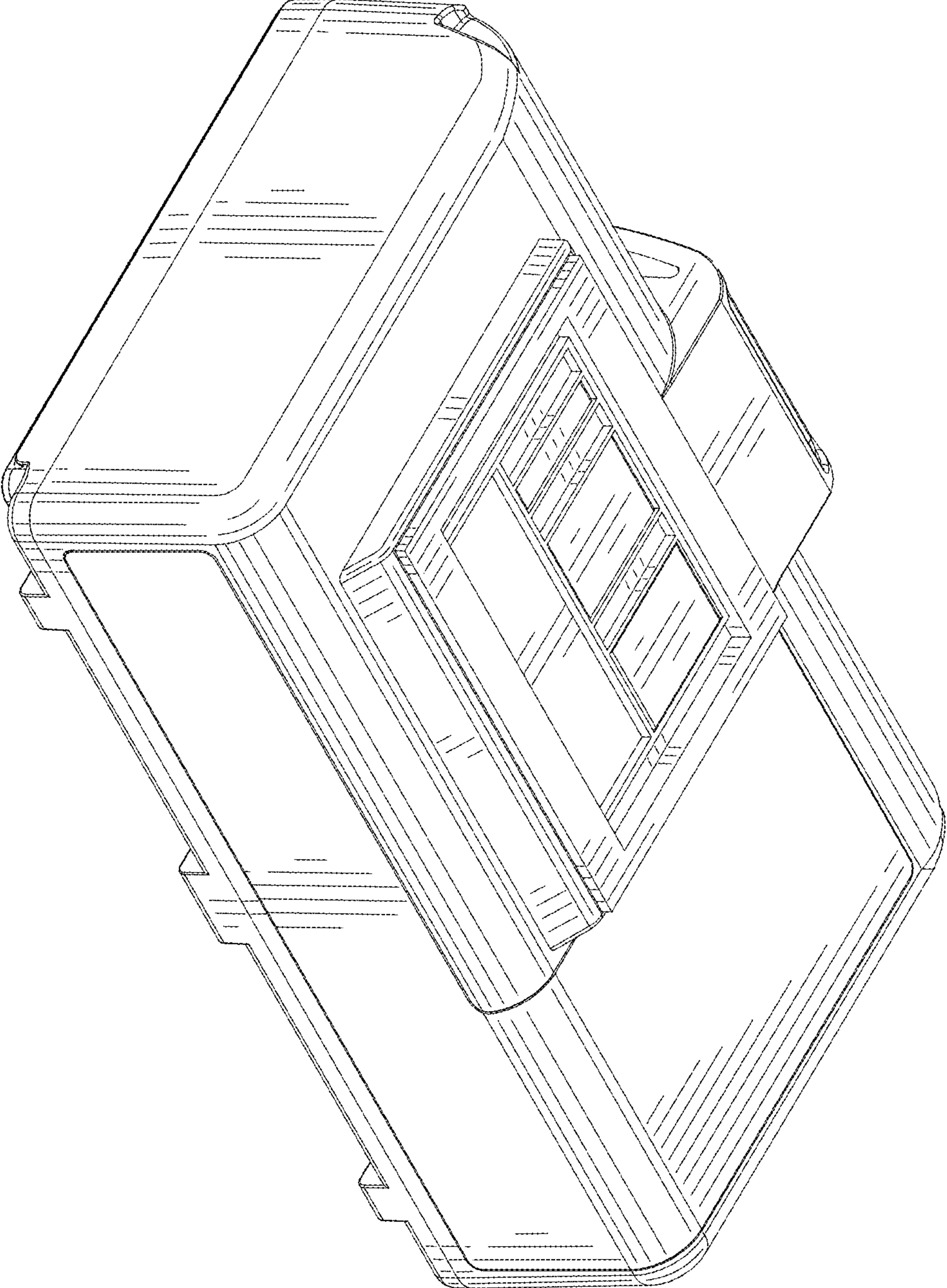


FIG. 2

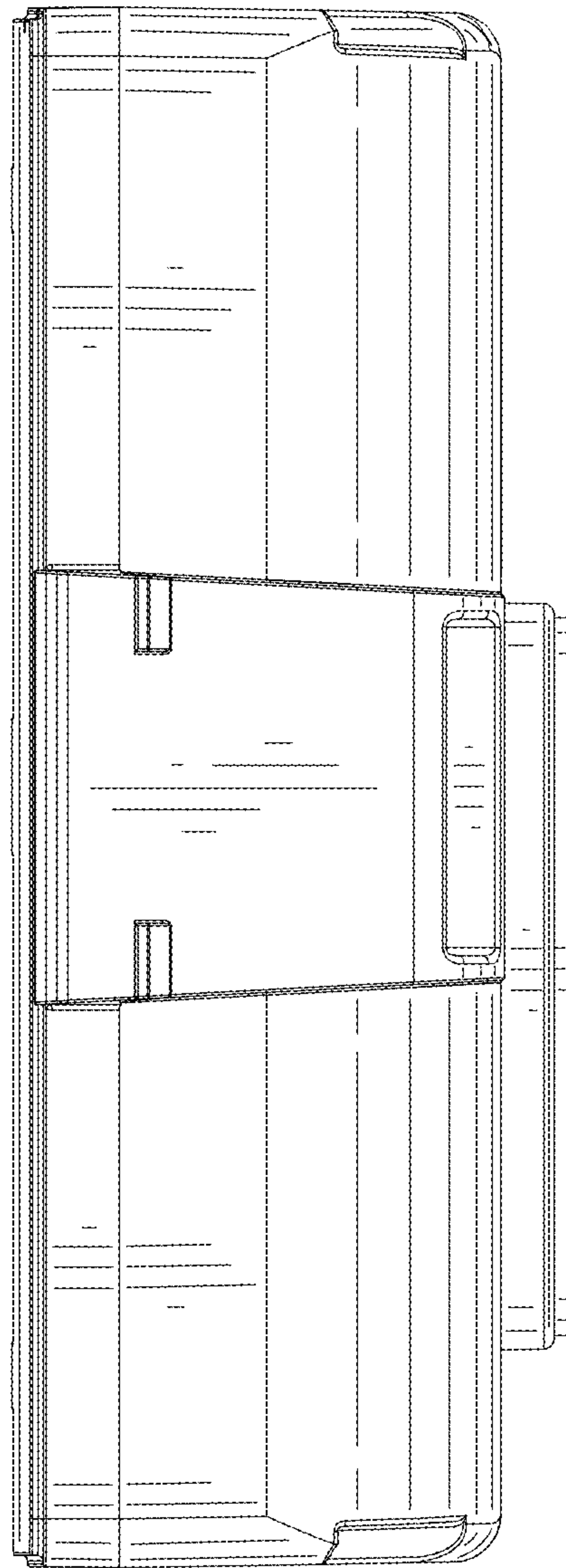


FIG. 3

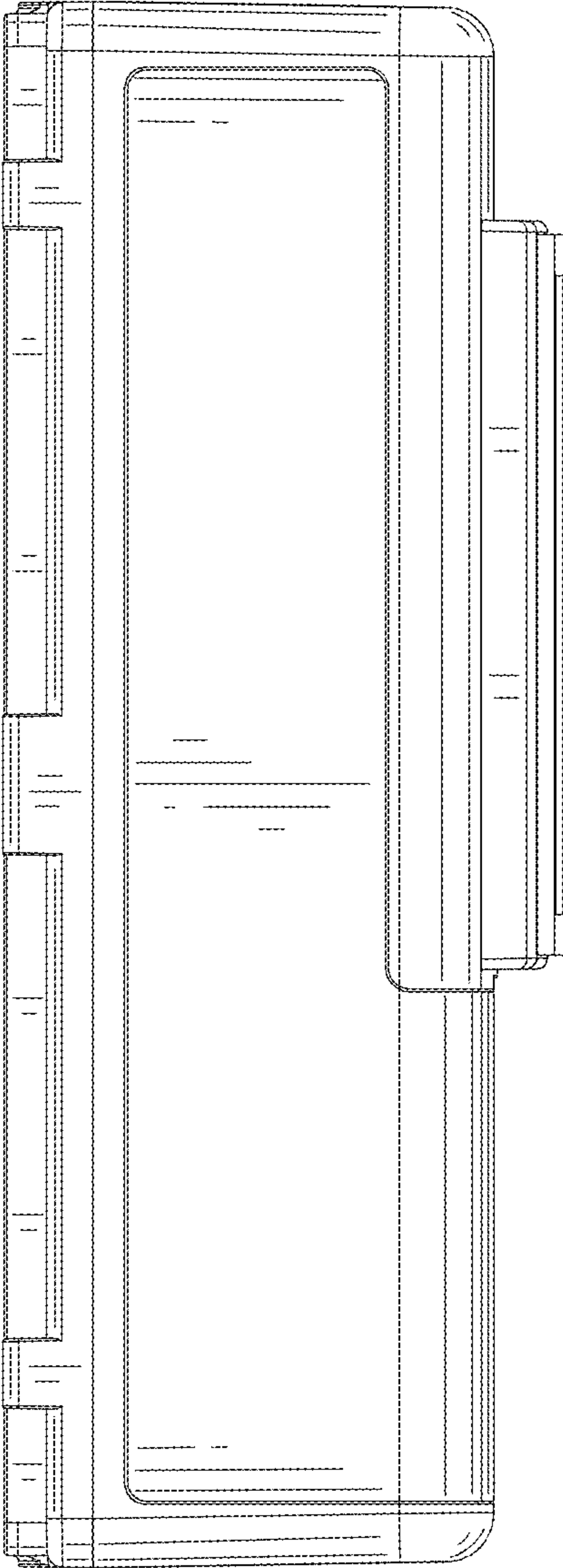


FIG. 4

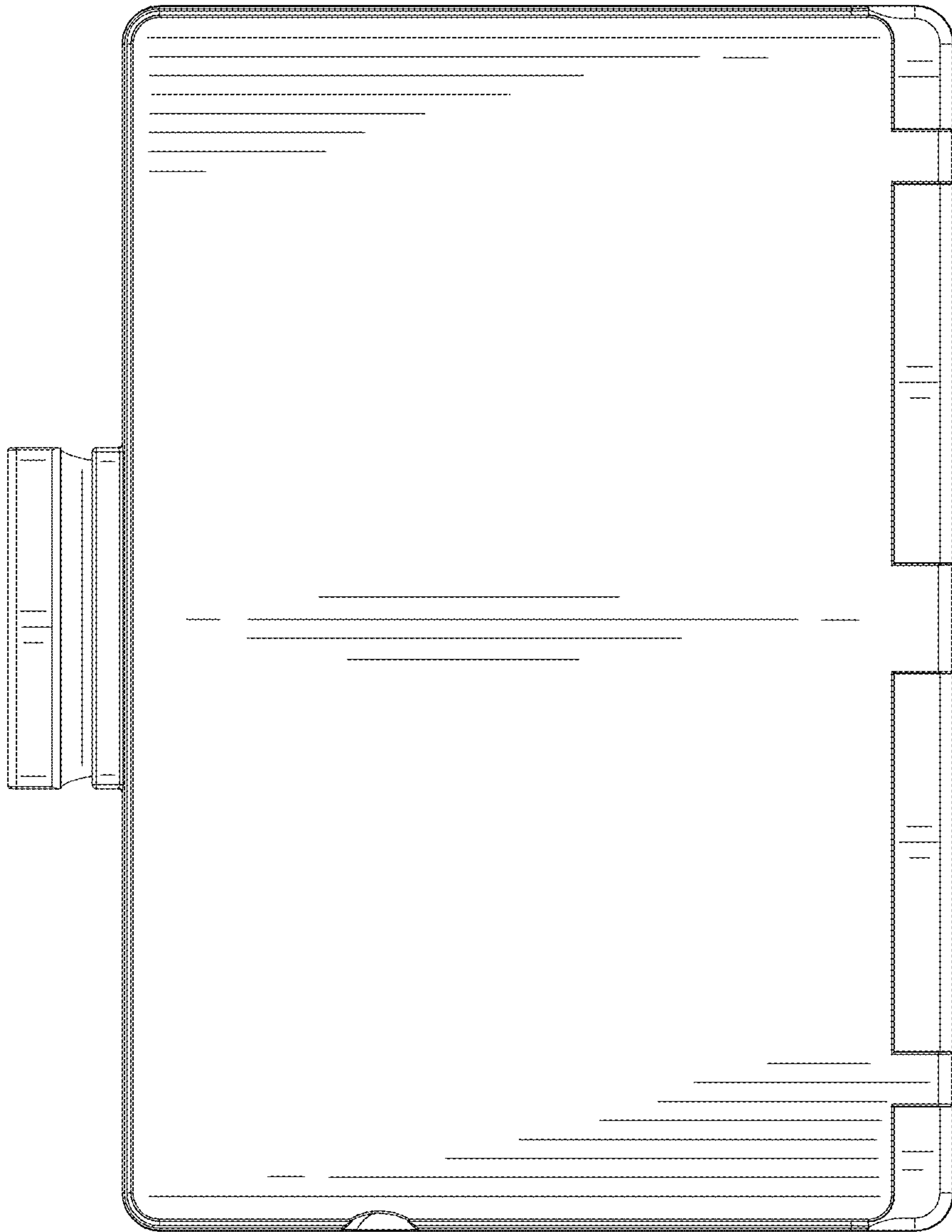


FIG. 5

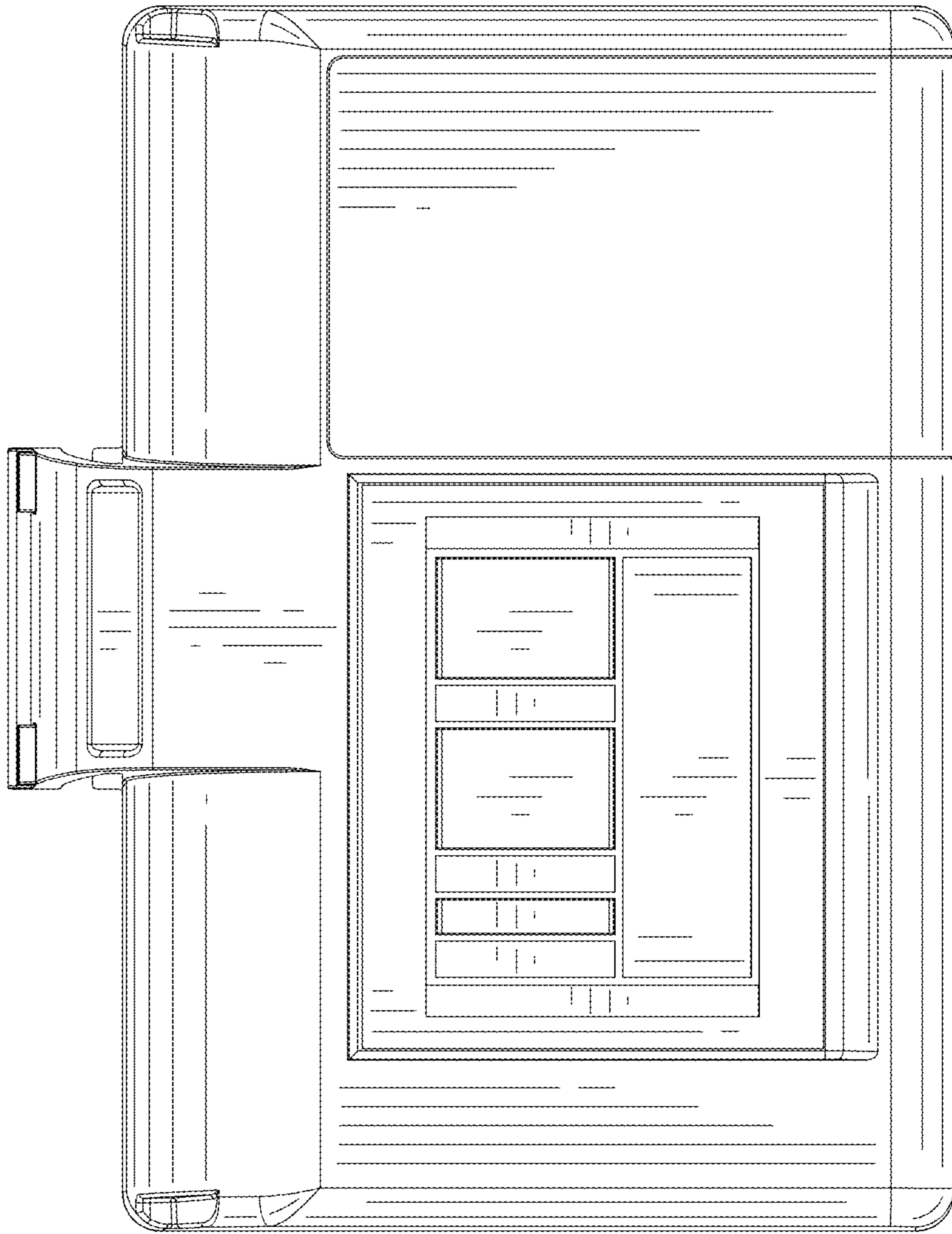


FIG. 6

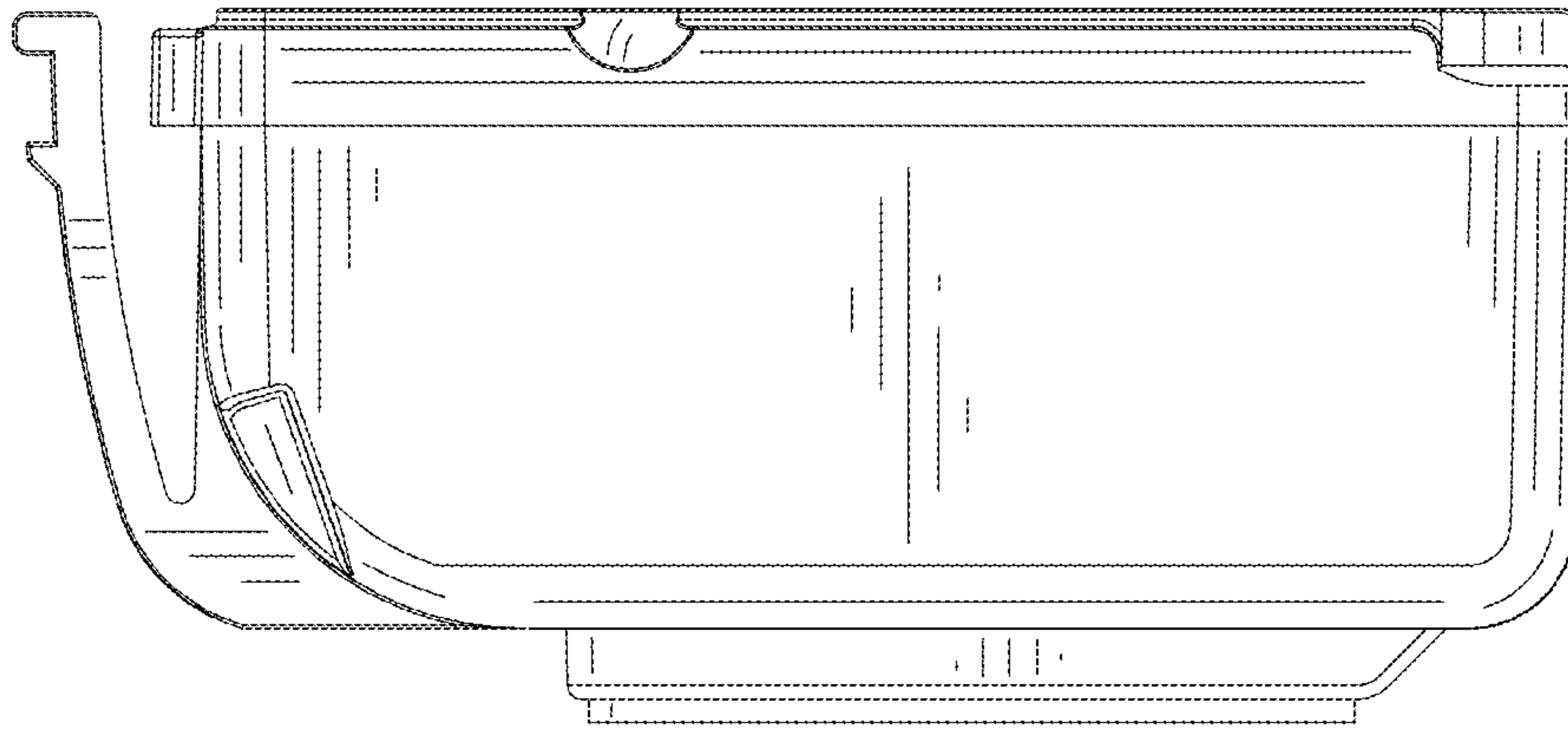


FIG. 7

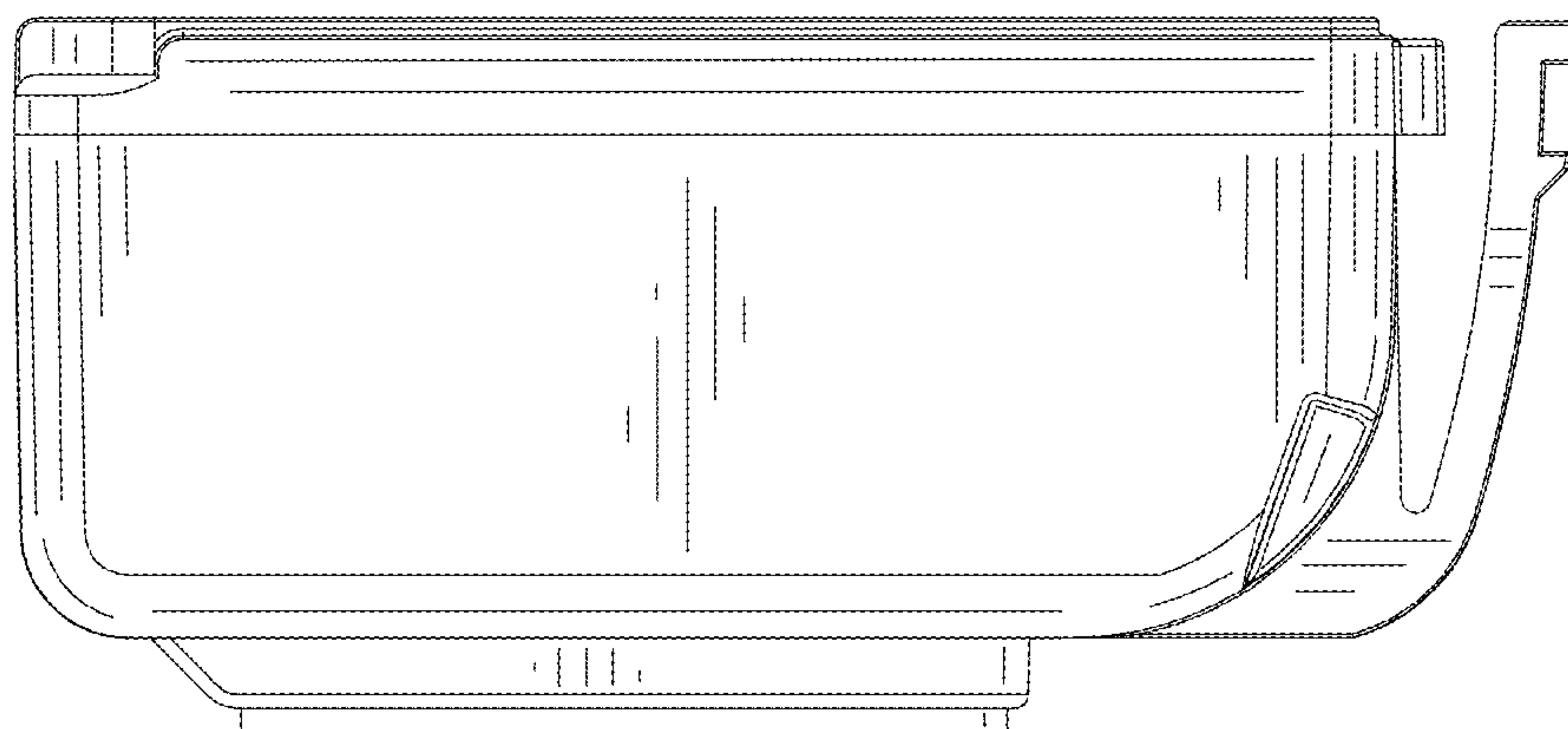


FIG. 8