



US00D909286S

(12) **United States Design Patent**
Fahey

(10) **Patent No.:** **US D909,286 S**

(45) **Date of Patent:** **** Feb. 2, 2021**

- (54) **AIRLESS SAND TIRE**
- (71) Applicant: **VISION TECHNICAL SERVICES PTY LTD**, Queensland (AU)
- (72) Inventor: **Bernard Anthony Fahey**, Queensland (AU)
- (73) Assignee: **VISION TECHNICAL SERVICES PTY LTD**, Queensland (AU)
- (**) Term: **15 Years**
- (21) Appl. No.: **29/720,511**
- (22) Filed: **Jan. 14, 2020**
- (30) **Foreign Application Priority Data**

2,620,844	A *	12/1952	Lord	B60C 7/12
					152/326
D217,762	S *	6/1970	Golden	D12/205
D222,661	S *	11/1971	Nichols	D8/358
D232,629	S *	9/1974	Siroonian	D12/205
D239,105	S *	3/1976	Siroonian	D12/205
D245,775	S *	9/1977	Muth	D12/205
D254,064	S *	1/1980	Retzlaff	D12/205
D259,195	S *	5/1981	Smith	D12/205
7,174,936	B2 *	2/2007	Becker	B60C 7/10
					152/246
D582,755	S *	12/2008	Rogers	D8/358
D602,422	S *	10/2009	Laskowitz	D12/570
D602,852	S *	10/2009	Laskowitz	D12/570
D615,920	S *	5/2010	Kline	D12/570
8,056,593	B2 *	11/2011	Palinkas	B29D 30/02
					152/324
D711,815	S *	8/2014	Abe	D12/605
D727,247	S *	4/2015	Martin	D12/570
D731,962	S *	6/2015	Martin	D12/605

(Continued)

- Jul. 25, 2019 (AU) 201914181
- (51) **LOC (13) Cl.** **12-15**
- (52) **U.S. Cl.**
- USPC **D12/579**
- (58) **Field of Classification Search**
- USPC D8/375; D12/204, 207, 208, 209, 500, D12/501, 502, 568, 579, 605
- CPC B60C 1/0016; B60C 1/0025; B60C 7/00; B60C 7/16; B60C 7/18; B60C 7/14; B60C 7/22; B60C 11/032; B60C 11/0388; B60C 2013/008; B60C 13/00; B60C 13/02; B60C 2009/0408; B60C 2001/0033; B60B 9/02; B60B 9/04; B60B 9/08; B60B 9/26
- See application file for complete search history.

Primary Examiner — Robert M. Spear
 (74) *Attorney, Agent, or Firm* — Davis & Bujold PLLC; Michael J. Bujold

(57) **CLAIM**

I claim the ornamental design for an airless sand tire, as shown and described.

DESCRIPTION

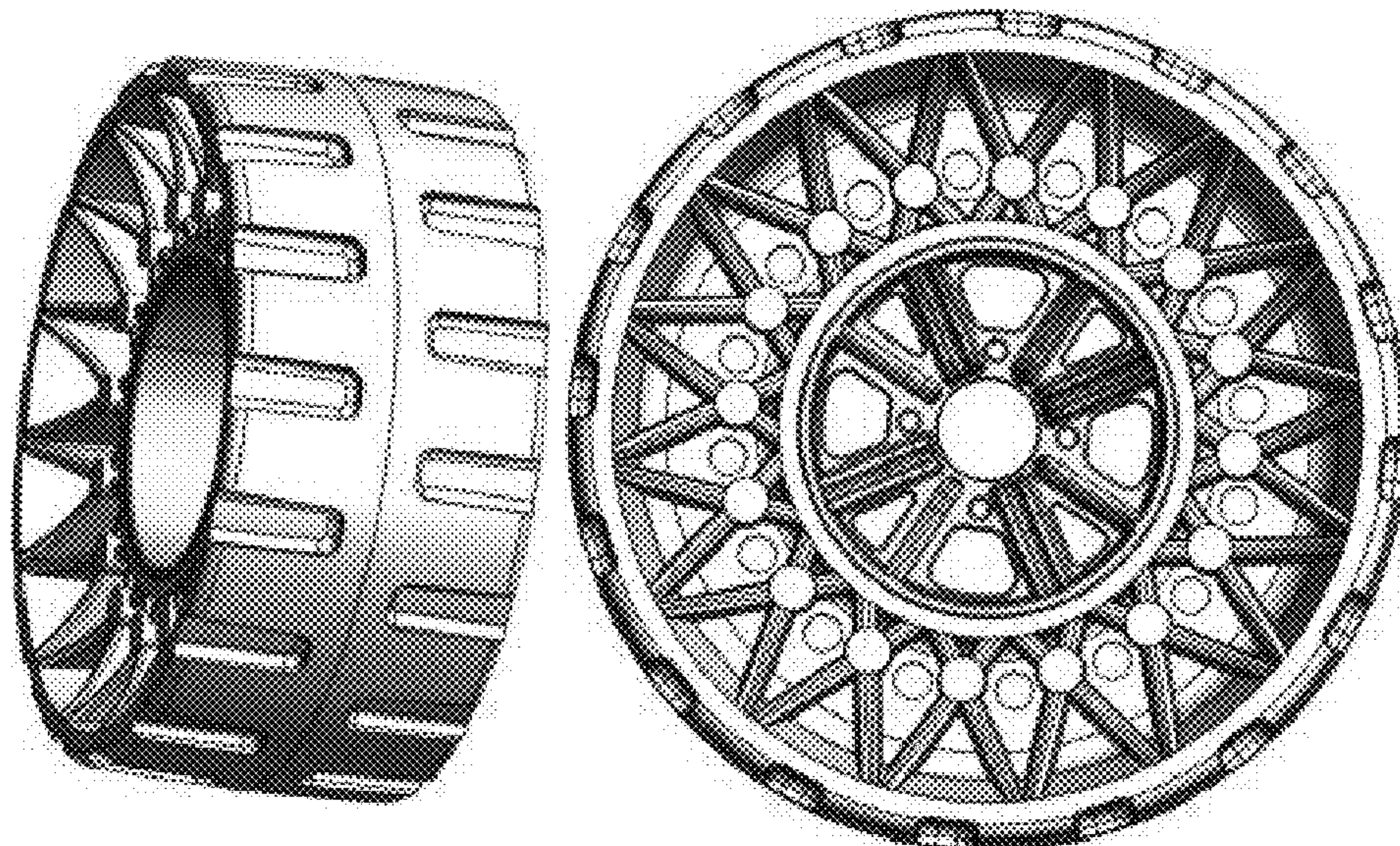
FIG. 1 is a front perspective view of an airless sand tire embodying my/our new design;
 FIG. 2 is a front elevational view thereof;
 FIG. 3 is a left side elevational view thereof;
 FIG. 4 is a top, front, left side perspective view thereof;
 FIG. 5 is a bottom, left side view thereof;
 FIG. 6 is a left side perspective view thereof;
 FIG. 7 is a right side elevational view thereof;
 FIG. 8 is a rear, right side view thereof;
 FIG. 9 is a bottom, right side view thereof; and,
 FIG. 10 is top, right side view thereof.

1 Claim, 5 Drawing Sheets

(56) **References Cited**

U.S. PATENT DOCUMENTS

D31,644	S *	10/1899	Welch	D12/502
D50,873	S *	6/1917	Jones	D12/592
D81,752	S *	8/1930	Kratz et al.	D12/605



(56)

References Cited

U.S. PATENT DOCUMENTS

D777,655 S * 1/2017 Martin B60B 9/26
D12/605
D792,332 S * 7/2017 Schaedler B60C 7/22
D12/568
D792,333 S * 7/2017 Schaedler B60B 3/007
D12/568
D803,749 S * 11/2017 Lettieri B29D 30/02
D12/209
D803,750 S * 11/2017 Lettieri B60C 7/12
D12/209
D804,389 S * 12/2017 Lettieri D12/209
D804,390 S * 12/2017 Lettieri D12/209
D833,380 S * 11/2018 Martin D12/605
D883,913 S * 5/2020 Sigler B60C 7/10
D12/605
2009/0211678 A1* 8/2009 Palinkas B60C 7/12
152/209.18
2012/0234444 A1* 9/2012 Palinkas B60C 7/22
152/246
2014/0062172 A1* 3/2014 Martin B60B 3/007
301/62
2014/0083581 A1* 3/2014 Schaedler B60B 9/26
152/5
2015/0355056 A1* 12/2015 Martin G01M 17/027
356/601
2016/0046091 A1* 2/2016 Kinney B26D 5/02
157/13
2016/0046092 A1* 2/2016 Kinney B26D 5/02
157/13

* cited by examiner

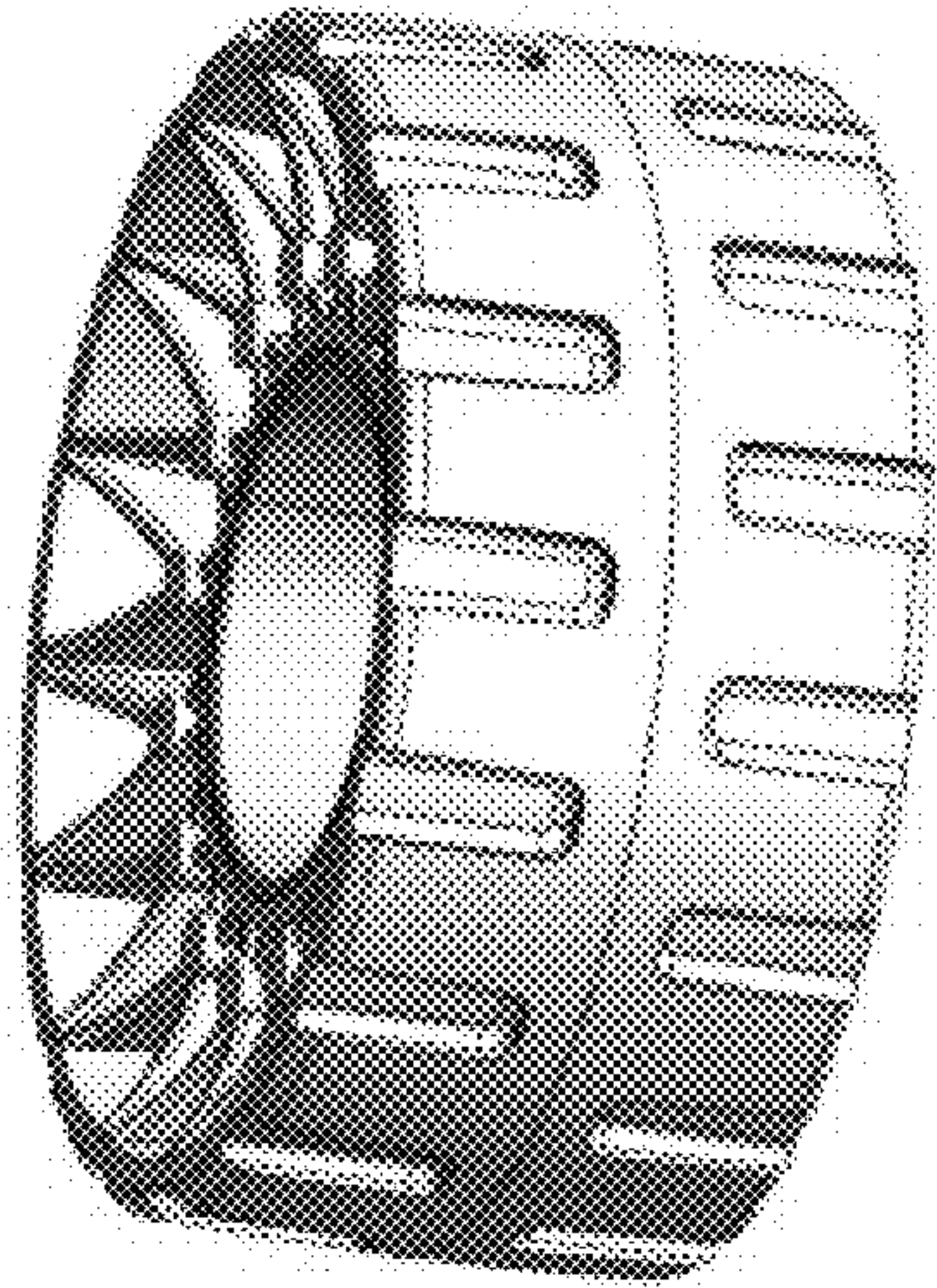


FIG. 1

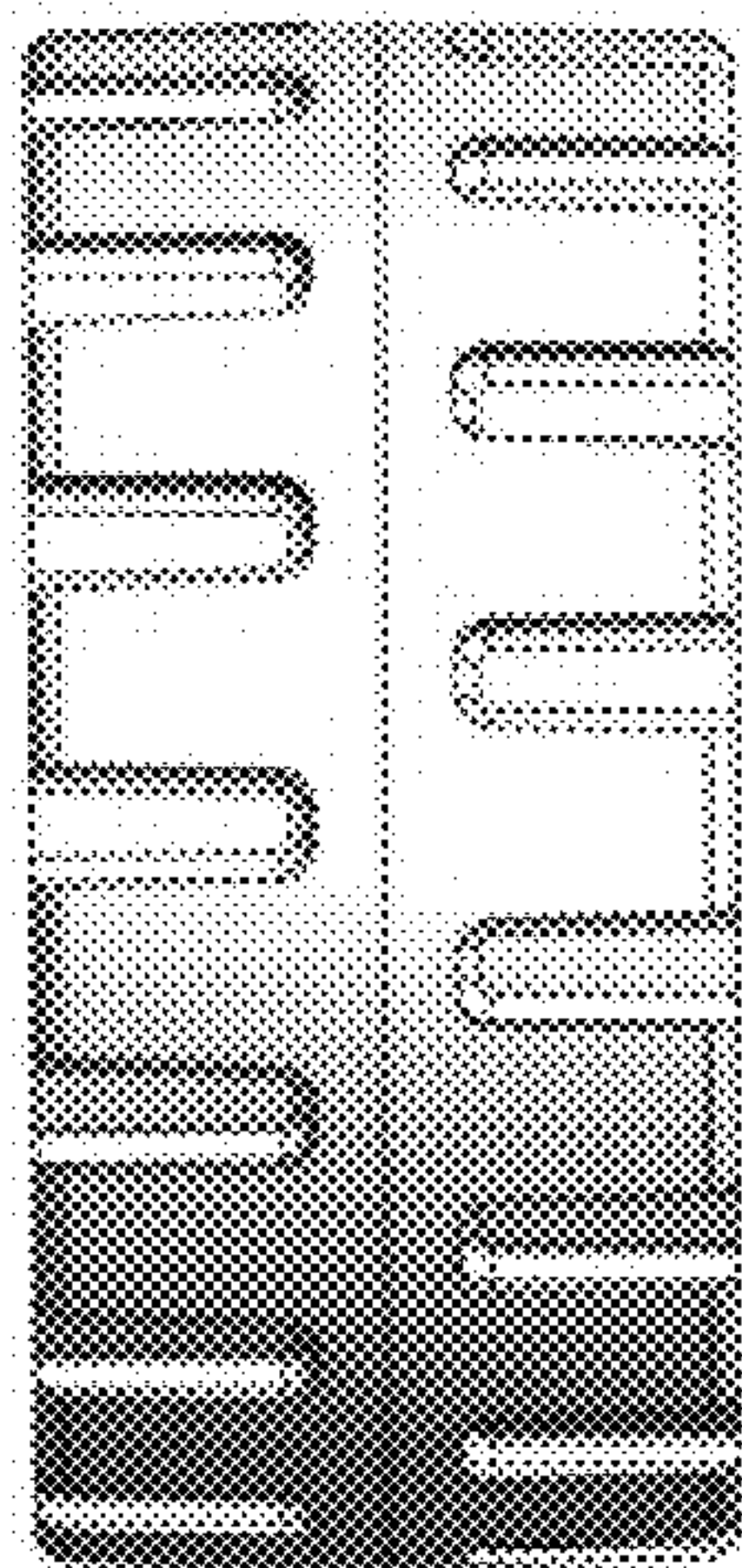


FIG. 2

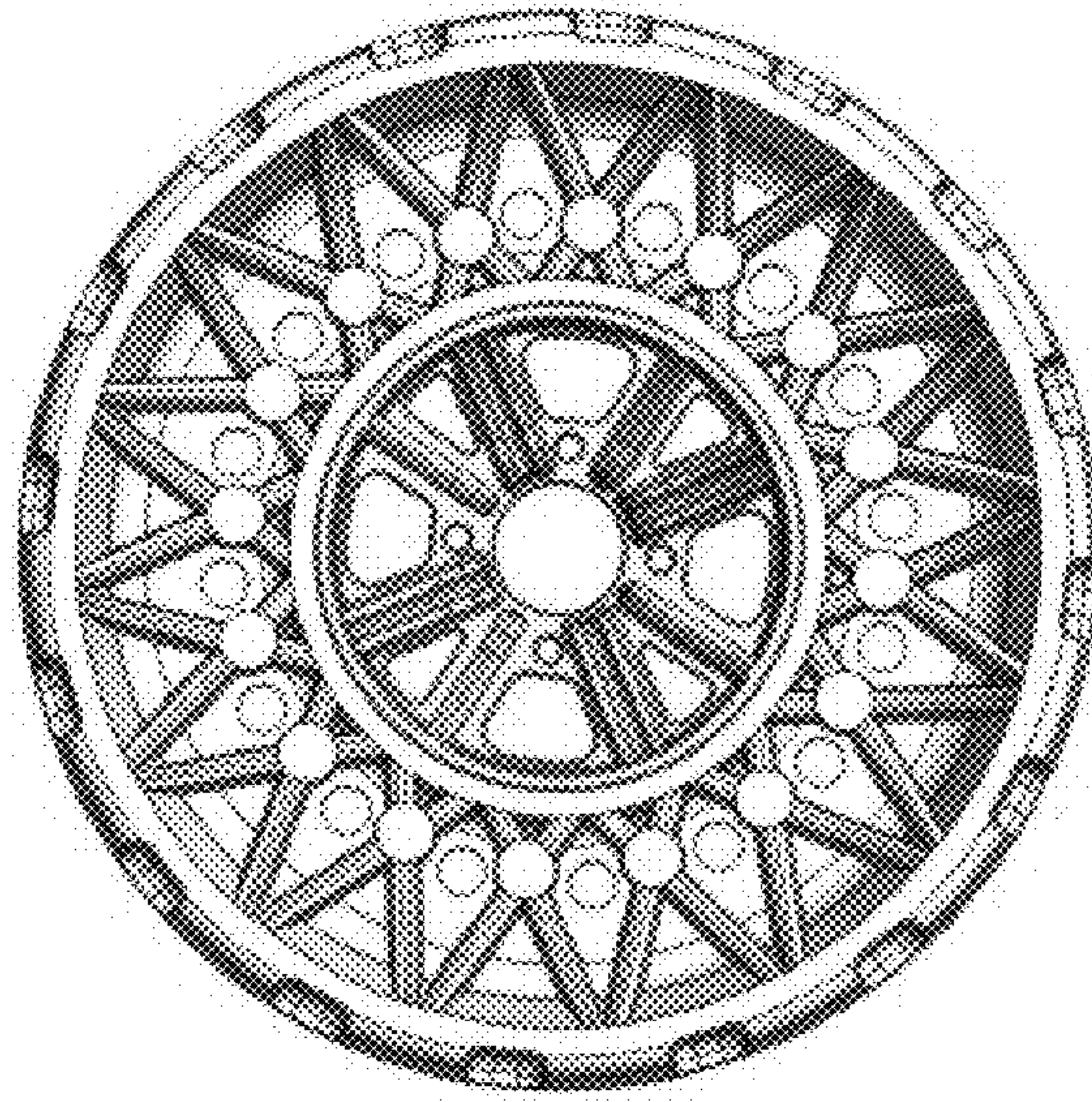


FIG. 3

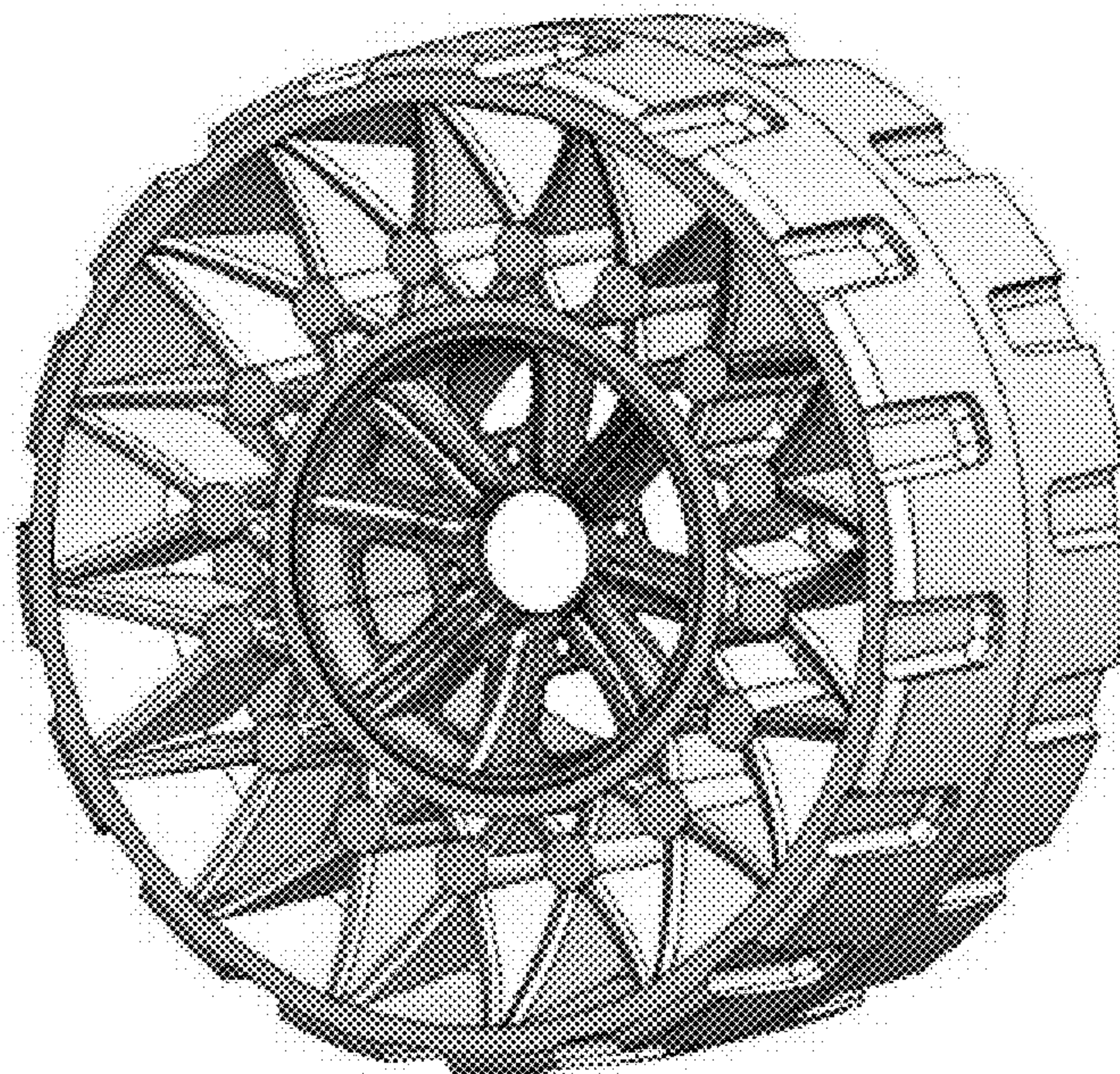


FIG. 4

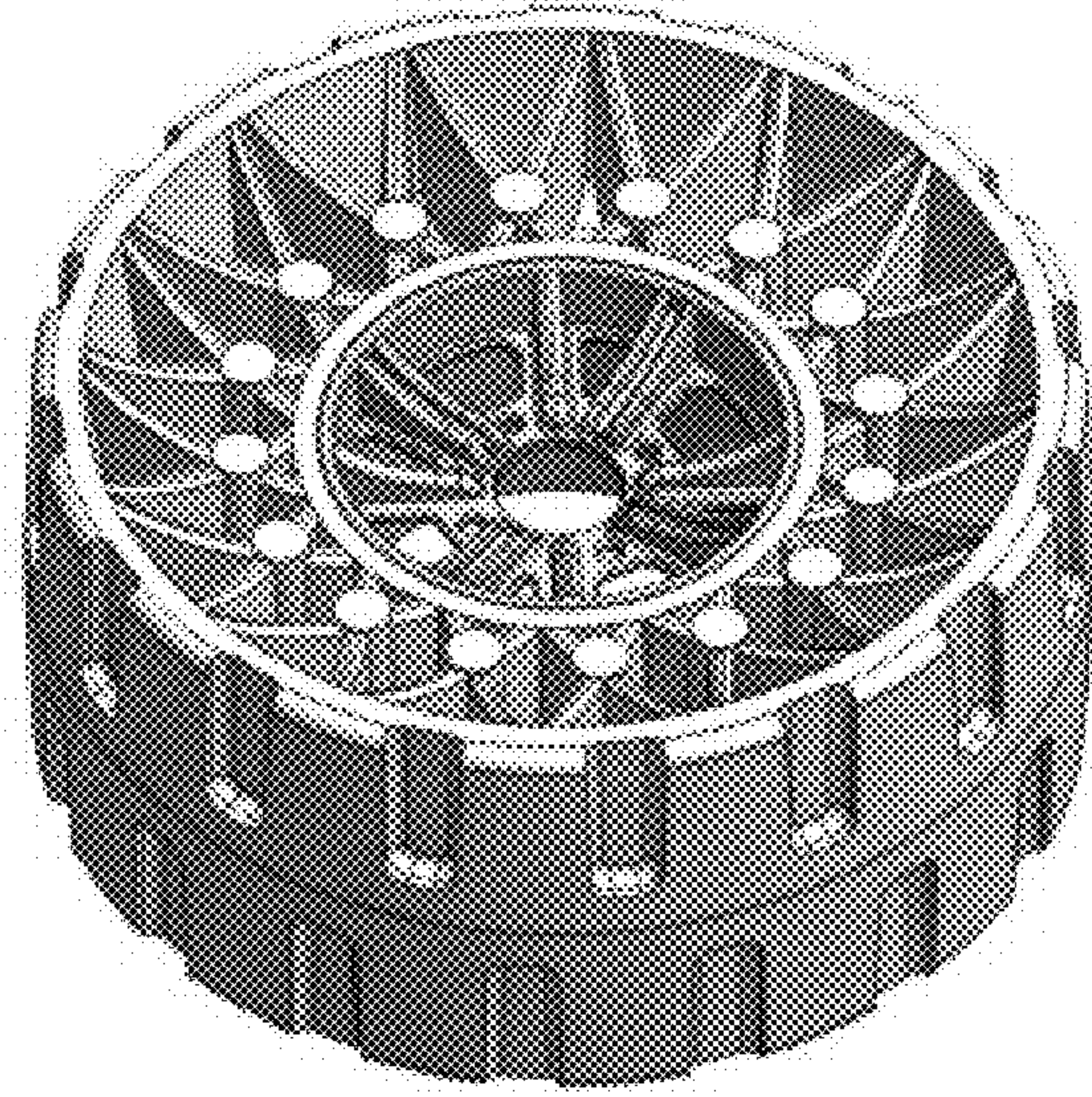


FIG. 5

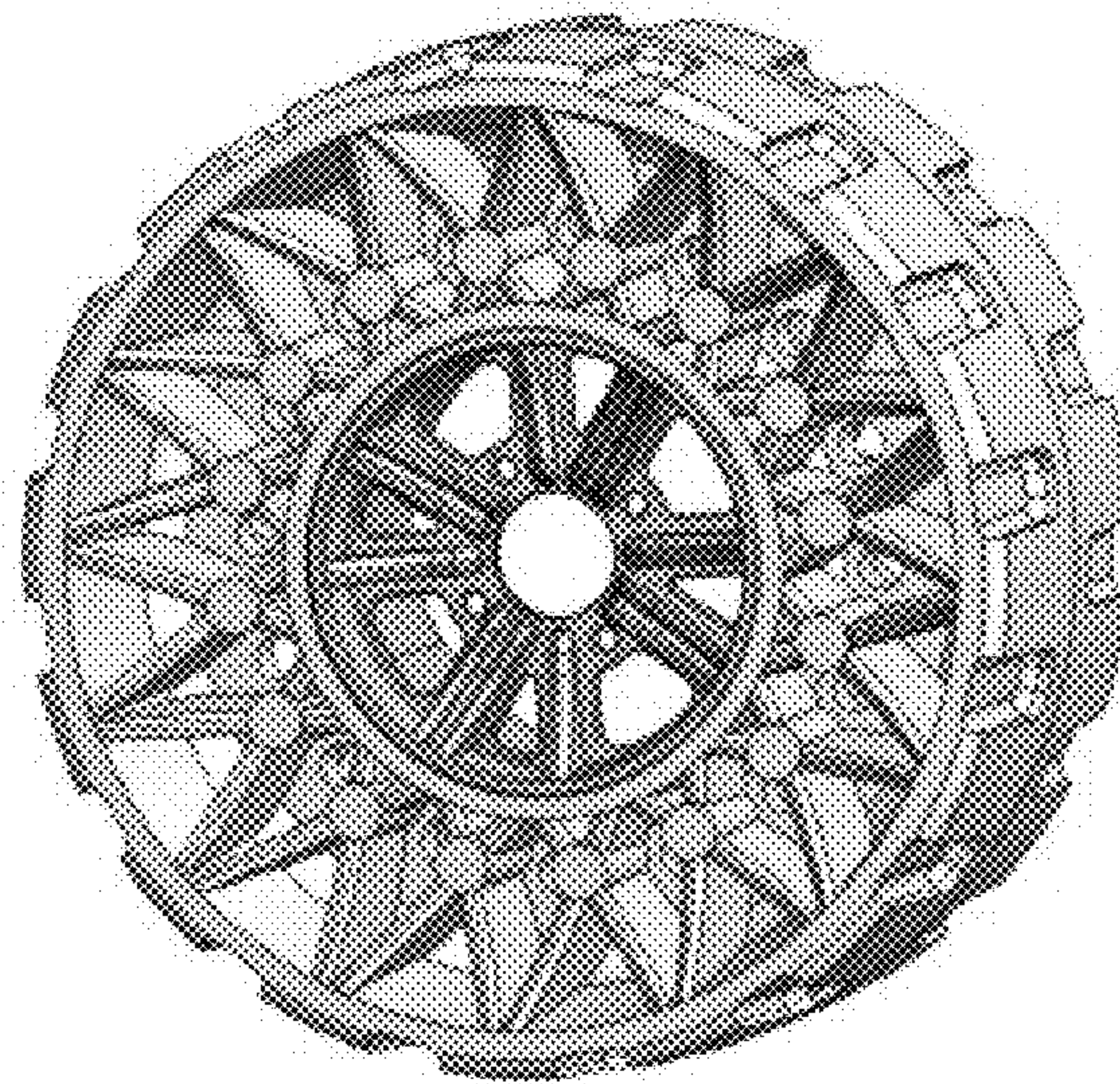


FIG. 6

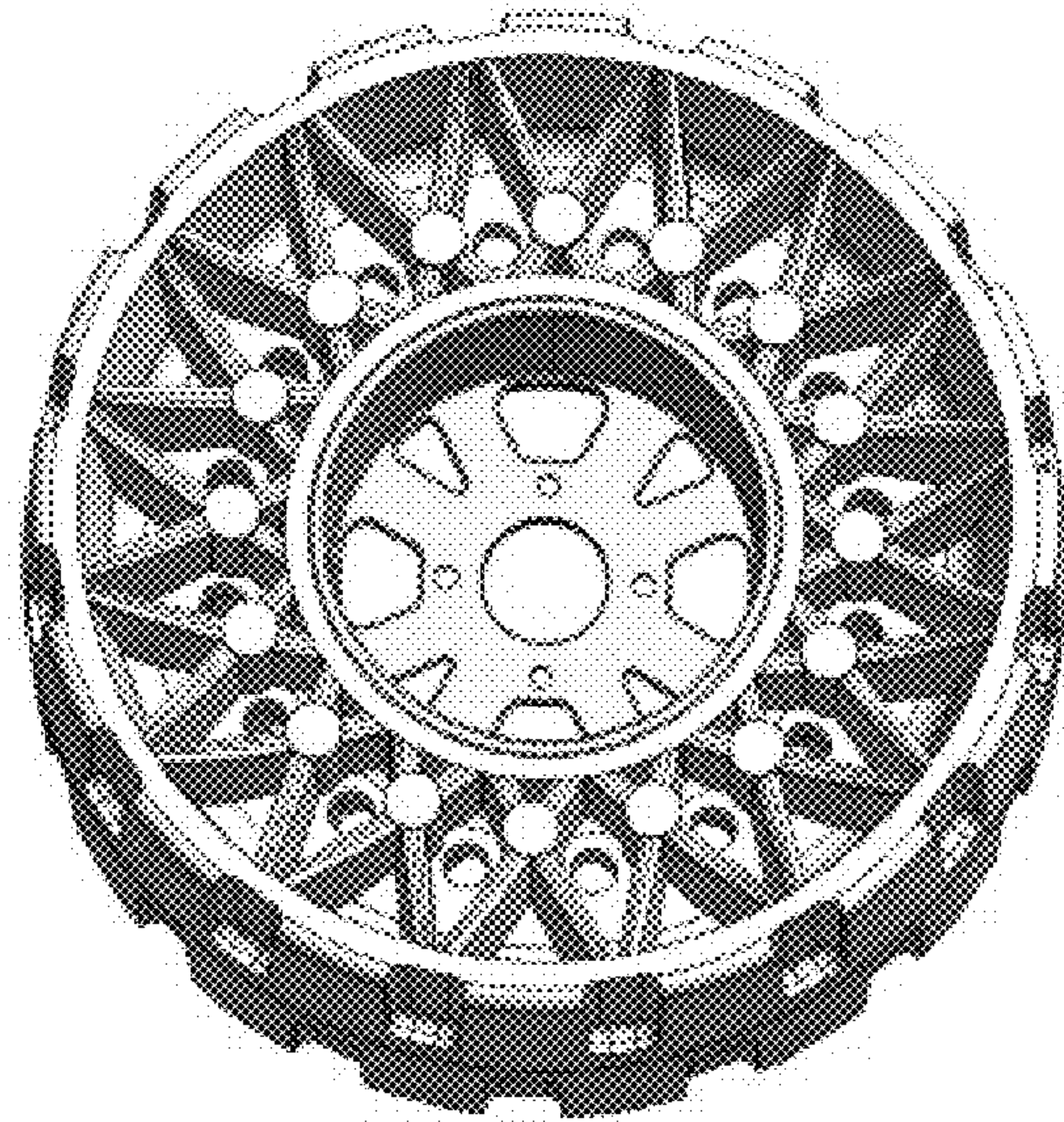


FIG. 7

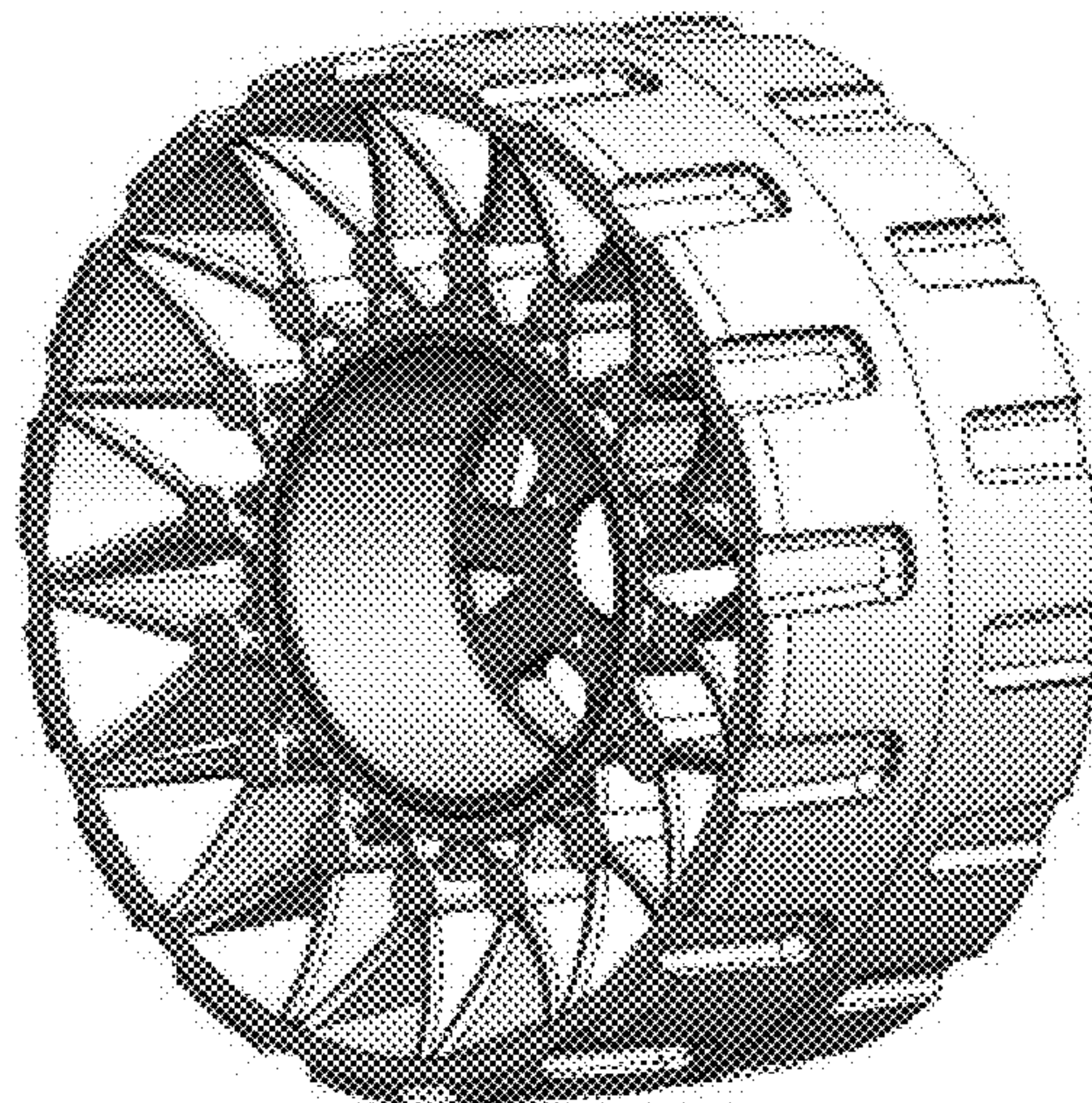


FIG. 8

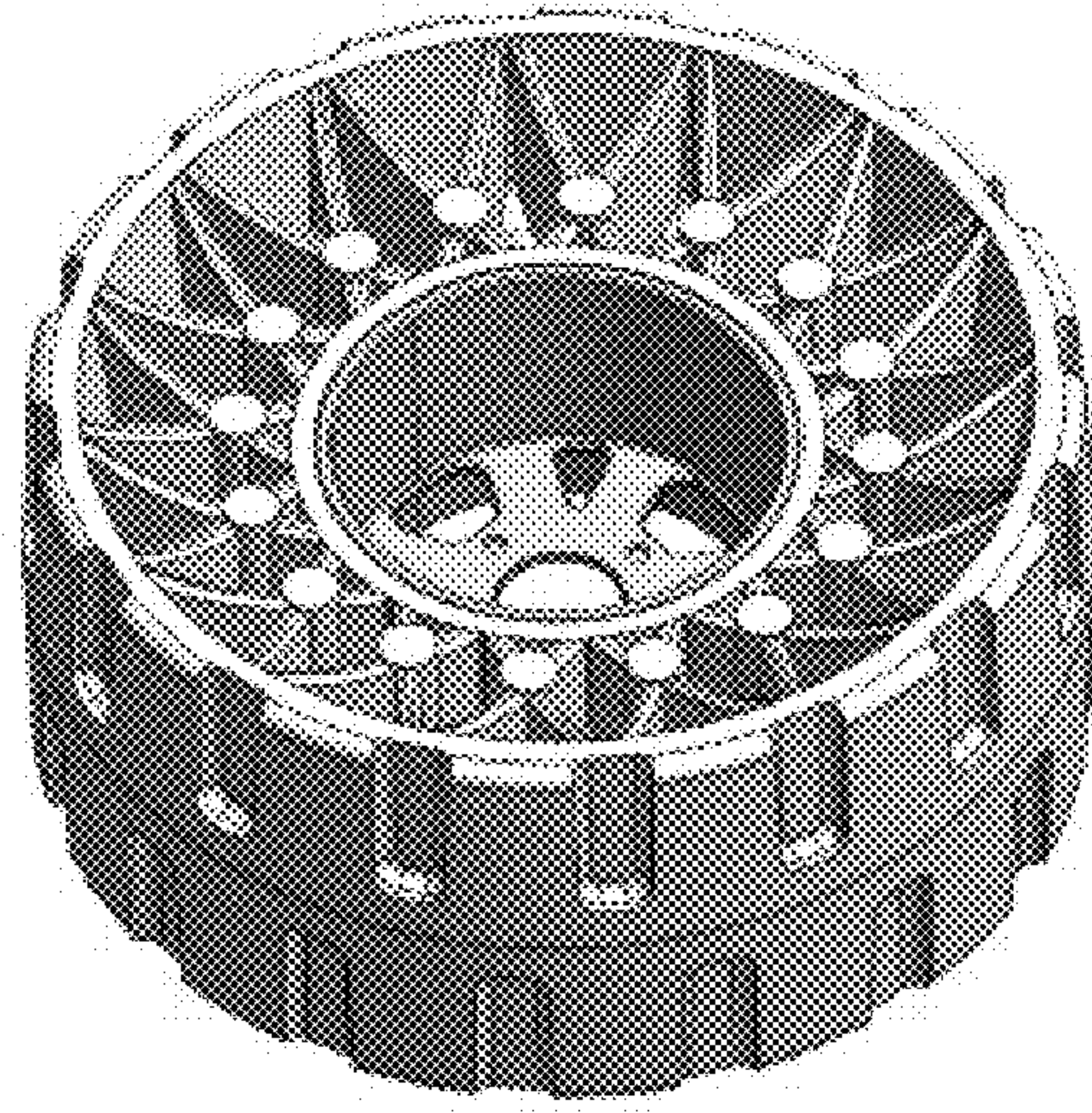


FIG. 9

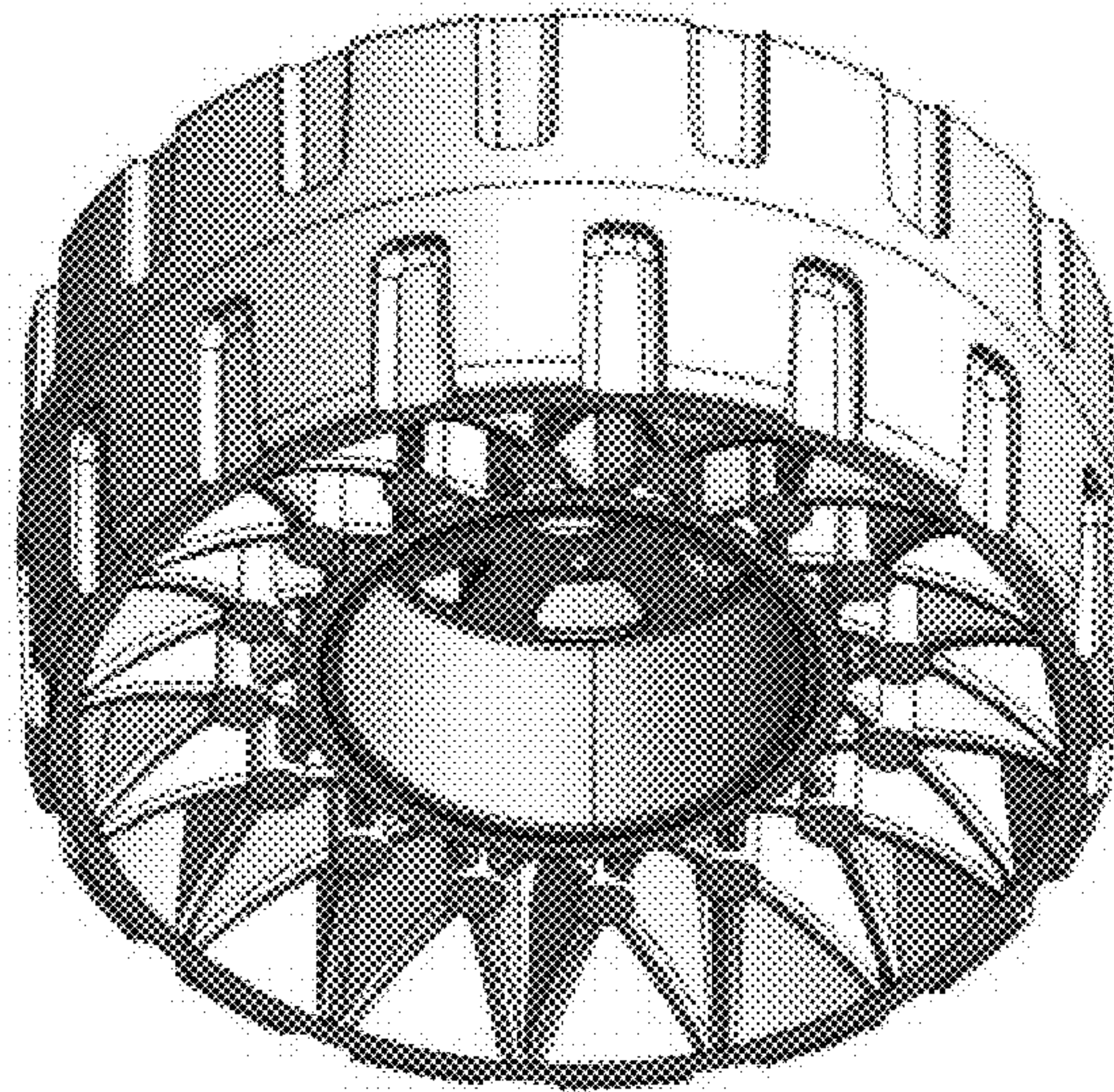


FIG. 10