



US00D909284S

(12) **United States Design Patent**  
**Hodge et al.**

(10) **Patent No.:** **US D909,284 S**

(45) **Date of Patent:** **\*\* Feb. 2, 2021**

(54) **DASHBOARD ATTACHMENT DEVICE**

- (71) Applicant: **Owl Cameras, Inc.**, Palo Alto, CA (US)
- (72) Inventors: **Andrew Hodge**, Palo Alto, CA (US); **Lynette Ross**, Mountain View, CA (US); **Adam Rodriguez**, Hacienda Heights, CA (US); **Stephen Senatore**, South San Francisco, CA (US)
- (73) Assignee: **XIRGO TECHNOLOGIES, LLC**, Camarillo, CA (US)
- (\*\*) Term: **15 Years**
- (21) Appl. No.: **29/698,317**
- (22) Filed: **Jul. 16, 2019**

**Related U.S. Application Data**

- (60) Division of application No. 29/635,559, filed on Jan. 31, 2018, now Pat. No. Des. 860,116, which is a (Continued)
- (51) **LOC (13) Cl.** ..... **12-16**
- (52) **U.S. Cl.**  
USPC ..... **D12/415**
- (58) **Field of Classification Search**  
USPC ..... D12/415-420, 400, 191, 106, 195, 345, D12/96, 99; 296/36; 22/539; 224/404; (Continued)

(56) **References Cited**

**U.S. PATENT DOCUMENTS**

- D253,816 S \* 1/1980 Turek ..... D12/418
  - D275,431 S \* 9/1984 Usab ..... 248/921
- (Continued)

**OTHER PUBLICATIONS**

Owl Car Cam review: An expensive LTE-powered dashcam with quite a few flaws, AndroidPolice.com, Richard Gao, Oct. 13, 2018, [online], [site visited Sep. 14, 2020]. <URL: <https://www.androidpolice.com/2018/10/13/owl-car-cam-review-expensive-lte-powered-dashcam-quite-flaws/>> (Year: 2018).\*

*Primary Examiner* — T Chase Nelson

*Assistant Examiner* — Jonathan J. Han

(74) *Attorney, Agent, or Firm* — Marton Ribera Schumann & Chang LLP; Chien-Ju Alice Chuang; Hector J. Ribera

(57) **CLAIM**

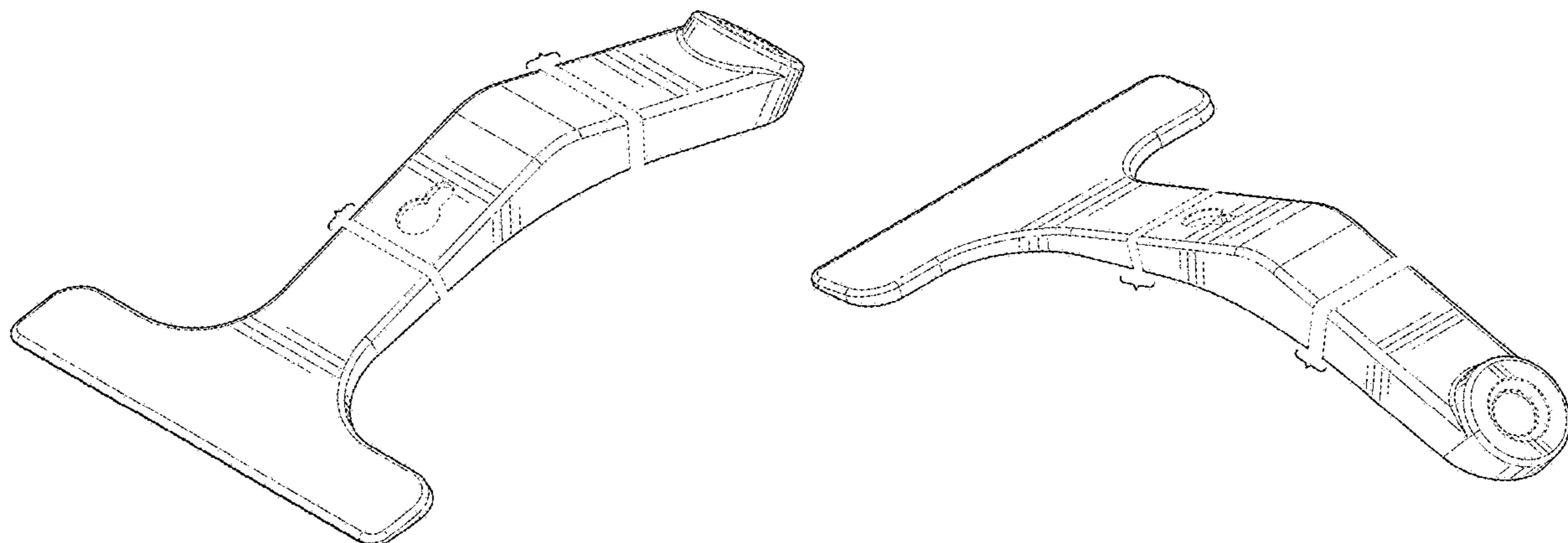
The ornamental design for a dashboard attachment device, as shown and described.

**DESCRIPTION**

FIG. 1 is a top front perspective view of a dashboard attachment device in accordance with the present invention. FIG. 2 is a top view of the dashboard attachment device of FIG. 1. FIG. 3 is a bottom view of the dashboard attachment device of FIG. 1. FIG. 4 is a right view of the dashboard attachment device of FIG. 1. FIG. 5 is a top back perspective view of the dashboard attachment device of FIG. 1; and, FIG. 6 is a front view of the dashboard attachment device of FIG. 1.

The broken or dashed lines show portions of the dashboard attachment device that form no part of the claimed design. The claimed design for the dashboard attachment device is directed to the portions shown in the figure views and any portions not shown between the brackets form no part of the claimed design. Surface shading shown in the drawings is used to show contour of the design and is not to be construed as surface ornamentation.

**1 Claim, 6 Drawing Sheets**



**Related U.S. Application Data**

continuation-in-part of application No. 29/631,683,  
filed on Jan. 2, 2018, now Pat. No. Des. 860,115.

(58) **Field of Classification Search**

USPC ..... 248/274.1, 284.1; D8/354; D9/423;  
D14/451-452, 447

CPC .... B60R 7/04; B60R 7/08; B60R 7/06; B60R  
11/02; B60R 2011/005; B60R 2011/0012;  
A61L 9/12; A61L 9/04

See application file for complete search history.

(56) **References Cited**

U.S. PATENT DOCUMENTS

D292,532 S \* 10/1987 Strongwater ..... D32/49  
D360,505 S \* 7/1995 Goodman ..... D32/41  
D381,149 S \* 7/1997 Mayo ..... D32/49  
D516,010 S \* 2/2006 Sullivan ..... D12/415  
D575,774 S \* 8/2008 Harris ..... D14/125  
D586,879 S \* 2/2009 Libman ..... D32/41  
D627,532 S \* 11/2010 Yang ..... D32/41  
D649,153 S \* 11/2011 Symons ..... D14/447  
D655,282 S \* 3/2012 Richter ..... D14/253  
D685,316 S \* 7/2013 Inagaki ..... D12/415  
D696,827 S \* 12/2013 Crawley ..... D32/41  
D709,757 S \* 7/2014 Yang ..... D8/395  
D715,790 S \* 10/2014 Conomos ..... D14/253  
D717,361 S \* 11/2014 Nikaido ..... D16/244  
D723,756 S \* 3/2015 Goodman ..... D32/41

D749,081 S \* 2/2016 Serfoss ..... D14/447  
D760,723 S \* 7/2016 Won ..... D14/447  
D772,884 S \* 11/2016 Oberpriller ..... G06K 7/10722  
D14/453  
D773,141 S \* 11/2016 Chitayat ..... D32/41  
D785,000 S \* 4/2017 Messler ..... D14/451  
D786,174 S \* 5/2017 Godard ..... D12/415  
D787,144 S \* 5/2017 Thompson ..... D32/41  
D792,415 S \* 7/2017 Tsai ..... D14/447  
D797,750 S \* 9/2017 Wengreen ..... D14/447  
D819,015 S \* 5/2018 Lee ..... D14/253  
D824,378 S \* 7/2018 Sukphisit ..... D14/253  
D824,917 S \* 8/2018 Nelson ..... D14/447  
D829,217 S \* 9/2018 Scholler ..... D14/447  
D830,369 S \* 10/2018 Grundstrom ..... D14/447  
D831,666 S \* 10/2018 Yao ..... D14/447  
D832,209 S \* 10/2018 Kang ..... D13/108  
D835,114 S \* 12/2018 Lazzi ..... D14/447  
D835,626 S \* 12/2018 Mir Martos ..... D14/447  
D837,222 S \* 1/2019 Janzen ..... D14/447  
D837,223 S \* 1/2019 Wu ..... D14/451  
D841,913 S \* 2/2019 Renner ..... D32/41  
D860,115 S \* 9/2019 Hodge ..... D12/415  
D860,116 S \* 9/2019 Hodge ..... D12/415  
D863,706 S \* 10/2019 Hadad ..... D32/41  
D870,093 S \* 12/2019 McSweyn ..... D14/253  
D873,898 S \* 1/2020 Roth ..... D16/242  
D893,581 S \* 8/2020 Roth ..... D16/242  
2007/0064380 A1 \* 3/2007 Shin ..... F16M 11/2064  
361/679.07

\* cited by examiner

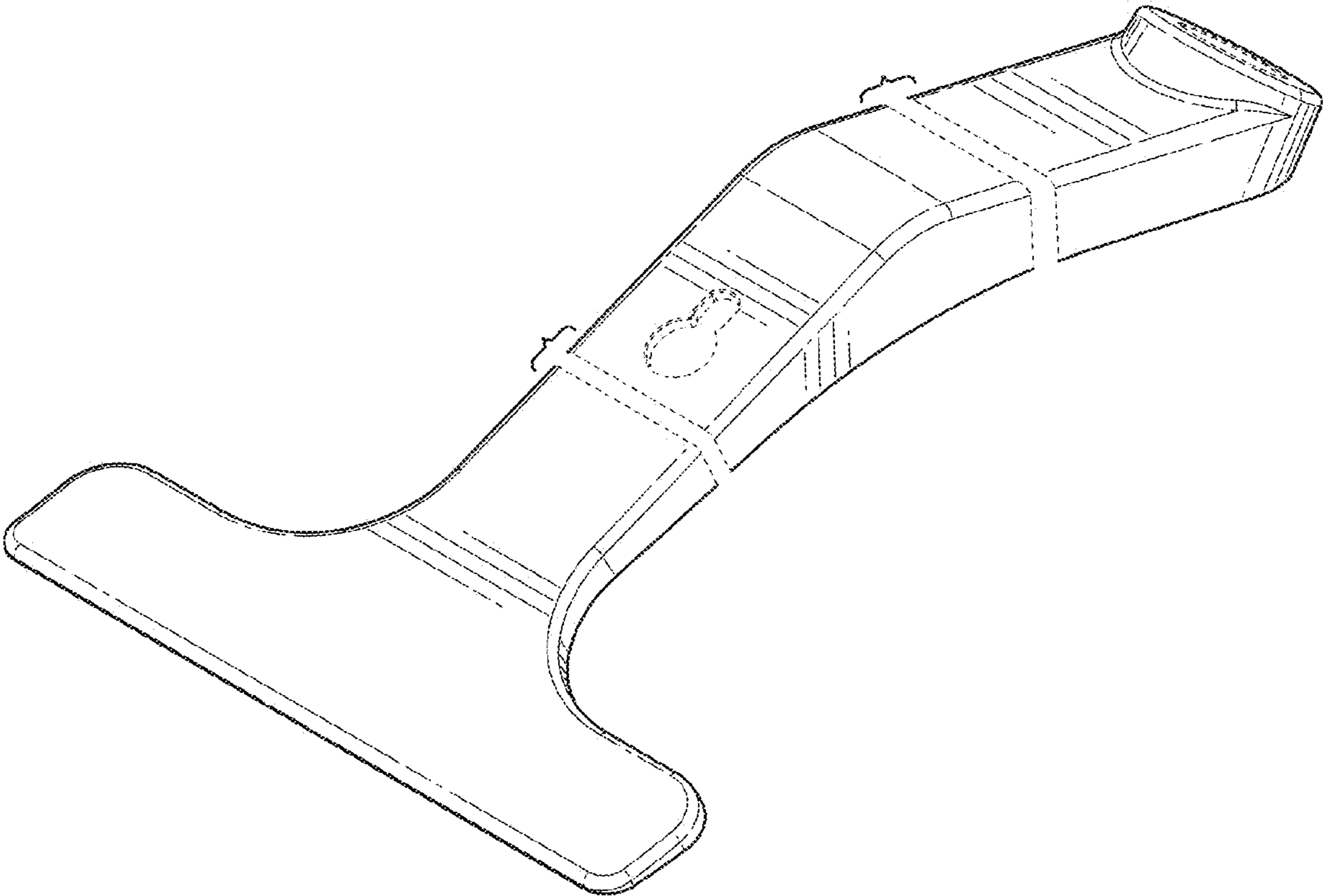


FIG. 1

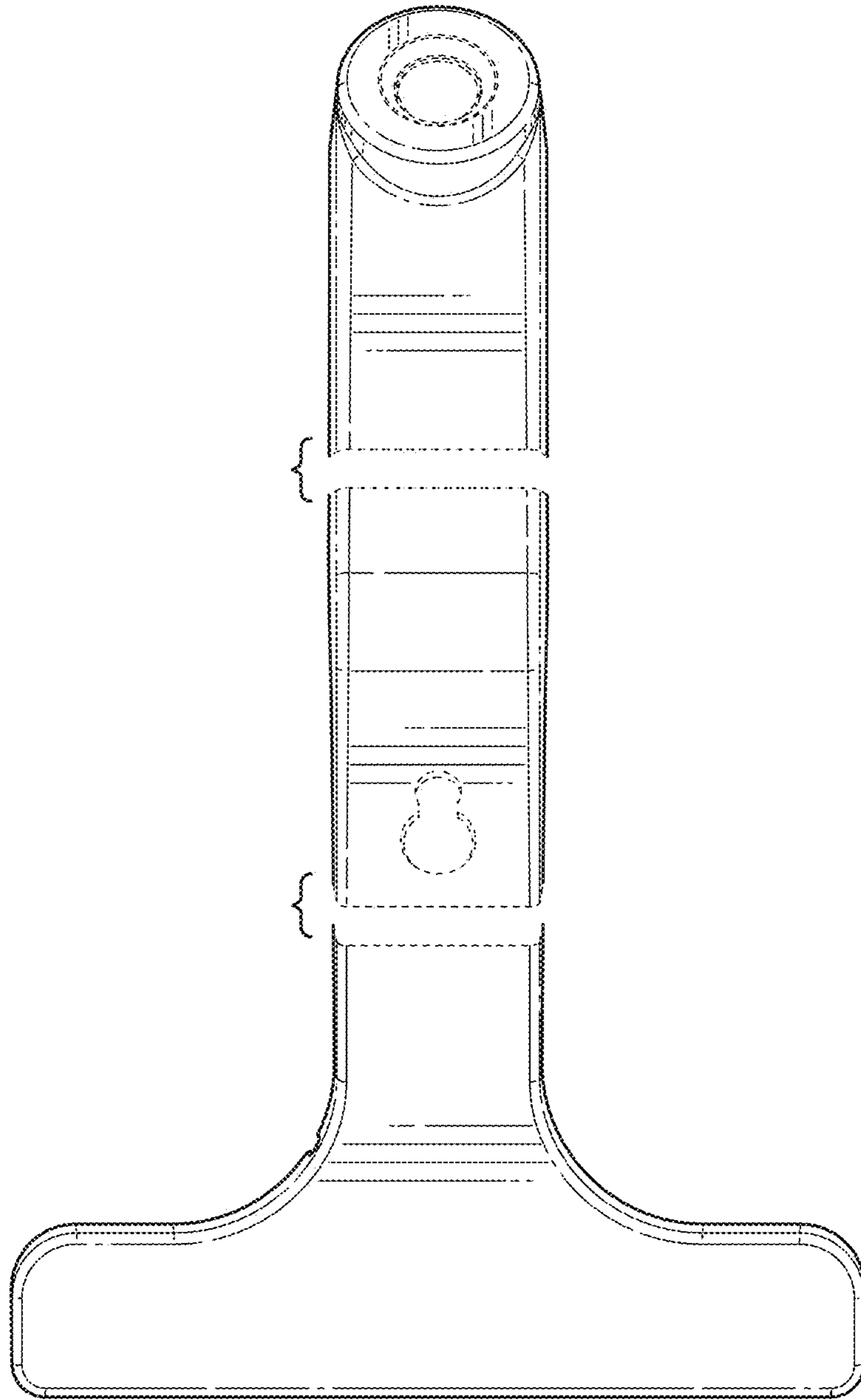


FIG. 2

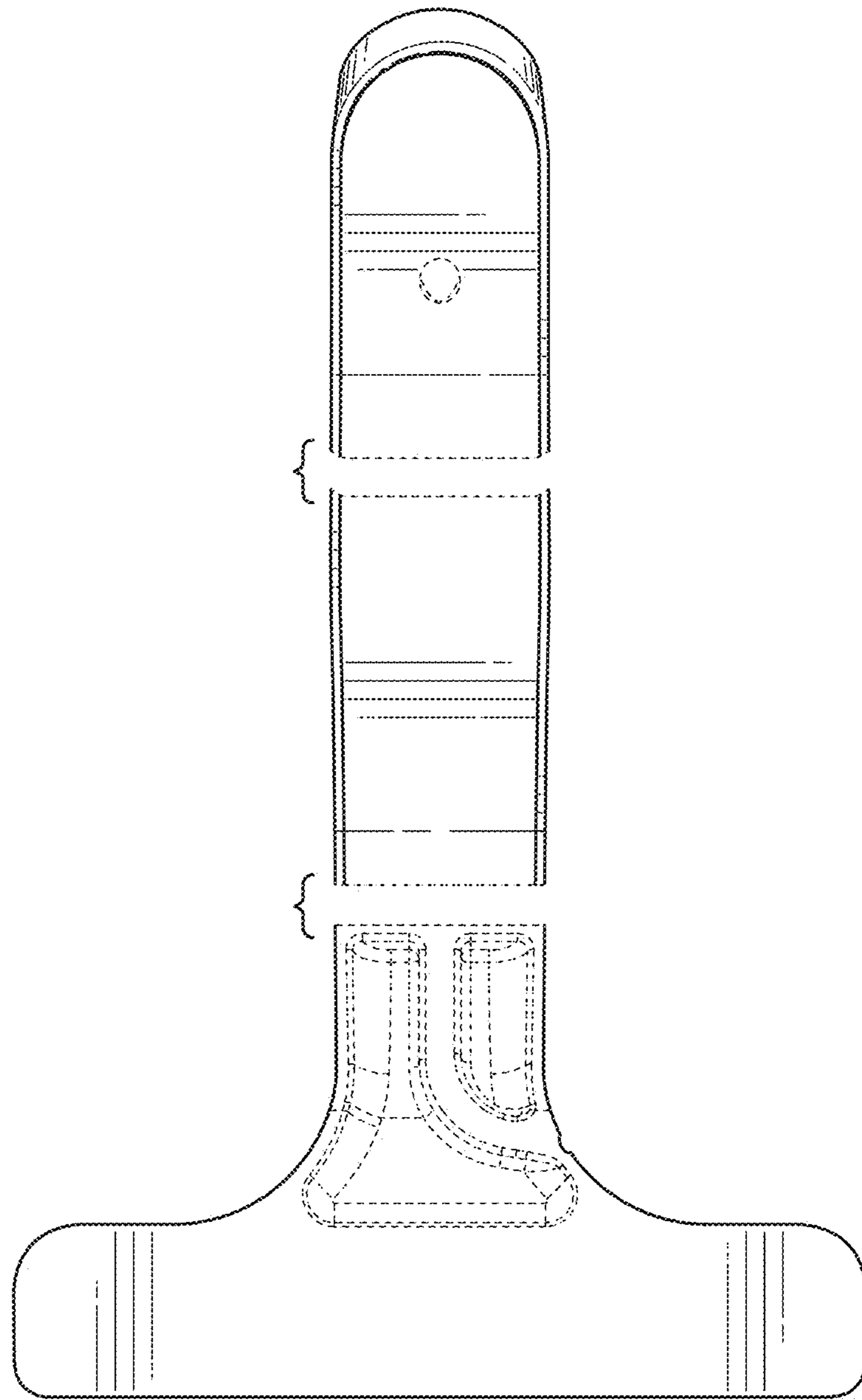


FIG. 3

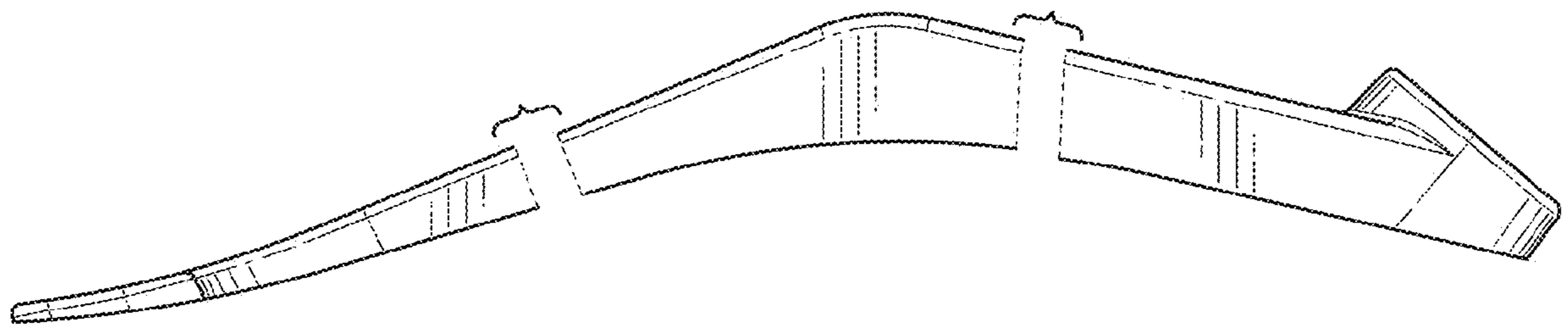


FIG. 4

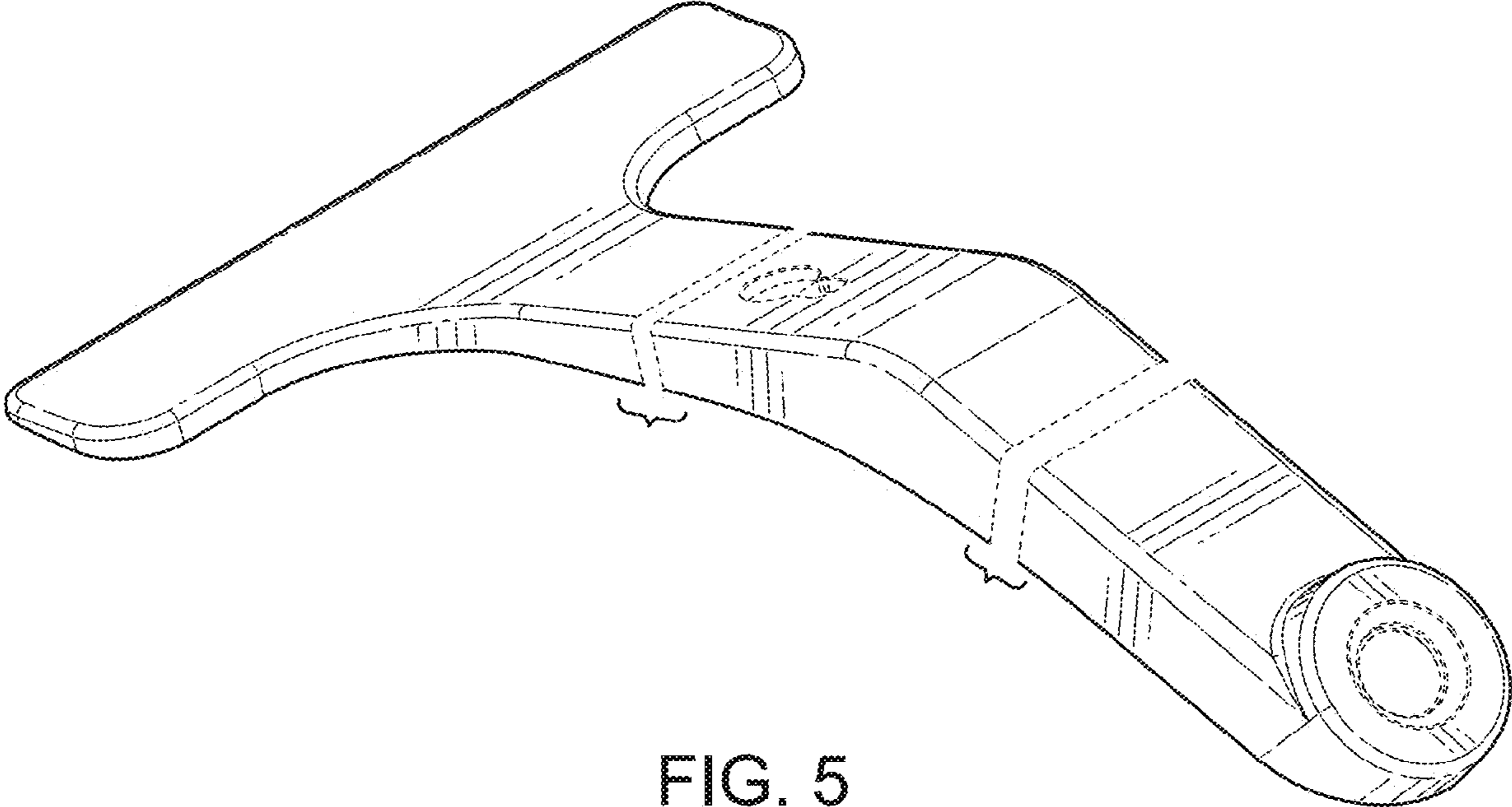


FIG. 5

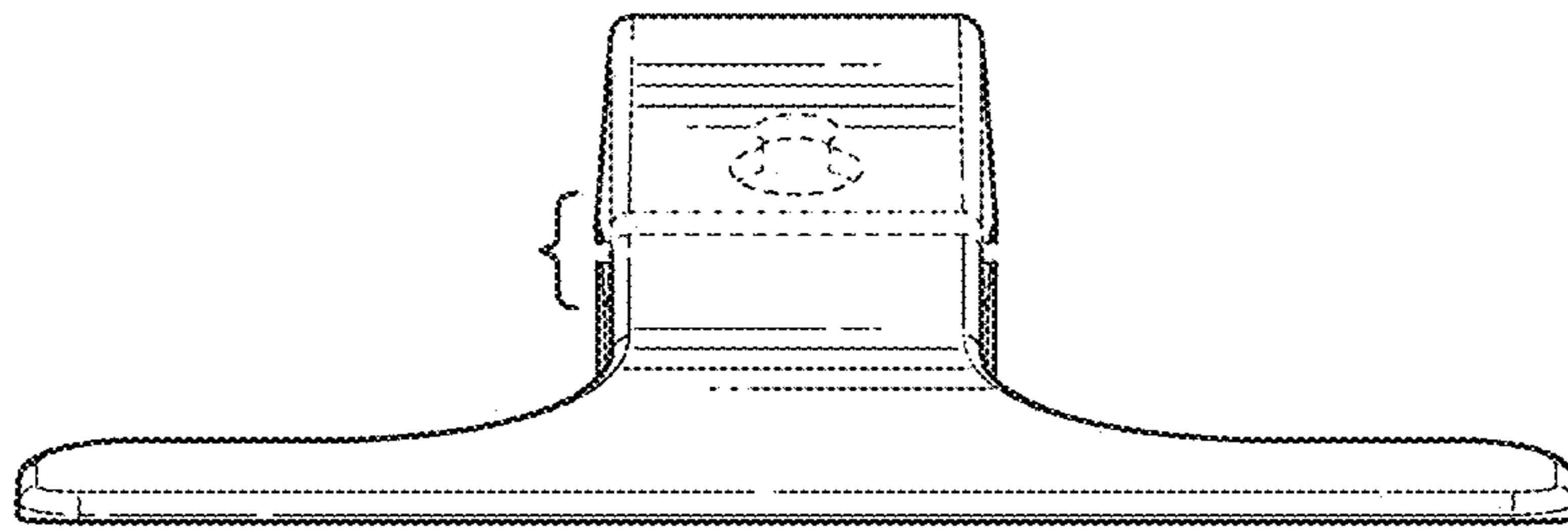


FIG. 6