



US00D909282S

(12) **United States Design Patent**
Cheng

(10) **Patent No.:** **US D909,282 S**

(45) **Date of Patent:** **** Feb. 2, 2021**

(54) **HITCH MOUNT CARGO CARRIER**

(71) Applicant: **RUIAN RUISAI AUTO INDUSTRY CO., LTD., Rui'An (CN)**

(72) Inventor: **Bingyao Cheng, Bui'An (CN)**

(73) Assignee: **RUIAN RUISAI AUTO INDUSTRY CO., LTD., Rui'An (CN)**

(**) Term: **15 Years**

(21) Appl. No.: **29/701,346**

(22) Filed: **Aug. 11, 2019**

(51) **LOC (13) Cl.** **12-16**

(52) **U.S. Cl.**
USPC **D12/406**

(58) **Field of Classification Search**
USPC D12/96, 98, 99, 101, 114, 190, 196, 223,
D12/400, 401, 403, 404, 406, 407, 408,
D12/409, 410, 412, 413, 414, 414.1
CPC B60R 9/00; B60R 9/02; B60R 9/04; B60R
9/06; B60R 9/08; B60R 9/10; B60R
9/045; B60R 9/048; B60R 9/055; B60R
9/058

See application file for complete search history.

(56) **References Cited**

U.S. PATENT DOCUMENTS

D459,287 S *	6/2002	Beard	D12/406
D484,453 S *	12/2003	Harris	D12/406
7,316,339 B2 *	1/2008	Zhang	B60R 9/06 224/42.34
D593,927 S *	6/2009	Walton	D12/406
7,832,608 B1 *	11/2010	Bauer, Jr.	B60R 9/06 224/526
10,196,003 B2 *	2/2019	Johnson	E01F 9/70
D865,570 S *	11/2019	Sablatura	B60R 9/06 D12/101
D881,791 S *	4/2020	Ni	D12/406
D890,685 S *	7/2020	Chen	D12/406
D894,091 S *	8/2020	Morris	D12/412

2006/0151555 A1 *	7/2006	Mills	B60R 9/06 224/509
2008/0087699 A1 *	4/2008	Zhang	B60R 9/065 224/519
2009/0277856 A1 *	11/2009	Lin	B60R 9/06 211/195
2010/0001029 A1 *	1/2010	Tai	B60R 9/06 224/499
2017/0225599 A1 *	8/2017	Russo	B60D 1/58
2019/0077329 A1 *	3/2019	Sablatura	B60R 9/06

OTHER PUBLICATIONS

Oklead, www.amazon.com [online]. Published on Oct. 16, 2018, [retrieved on Sep. 21, 2020]. Retrieved from the Internet: <URL:https://www.amazon.com/-/es/enganche-plegable-equipaje-capacidad-receptor/dp/B07JFYJSP3> (Year: 2018).*

* cited by examiner

Primary Examiner — Michael A. Pratt
Assistant Examiner — Adam C Mager
(74) *Attorney, Agent, or Firm* — Zhihua Han; Wen IP LLC

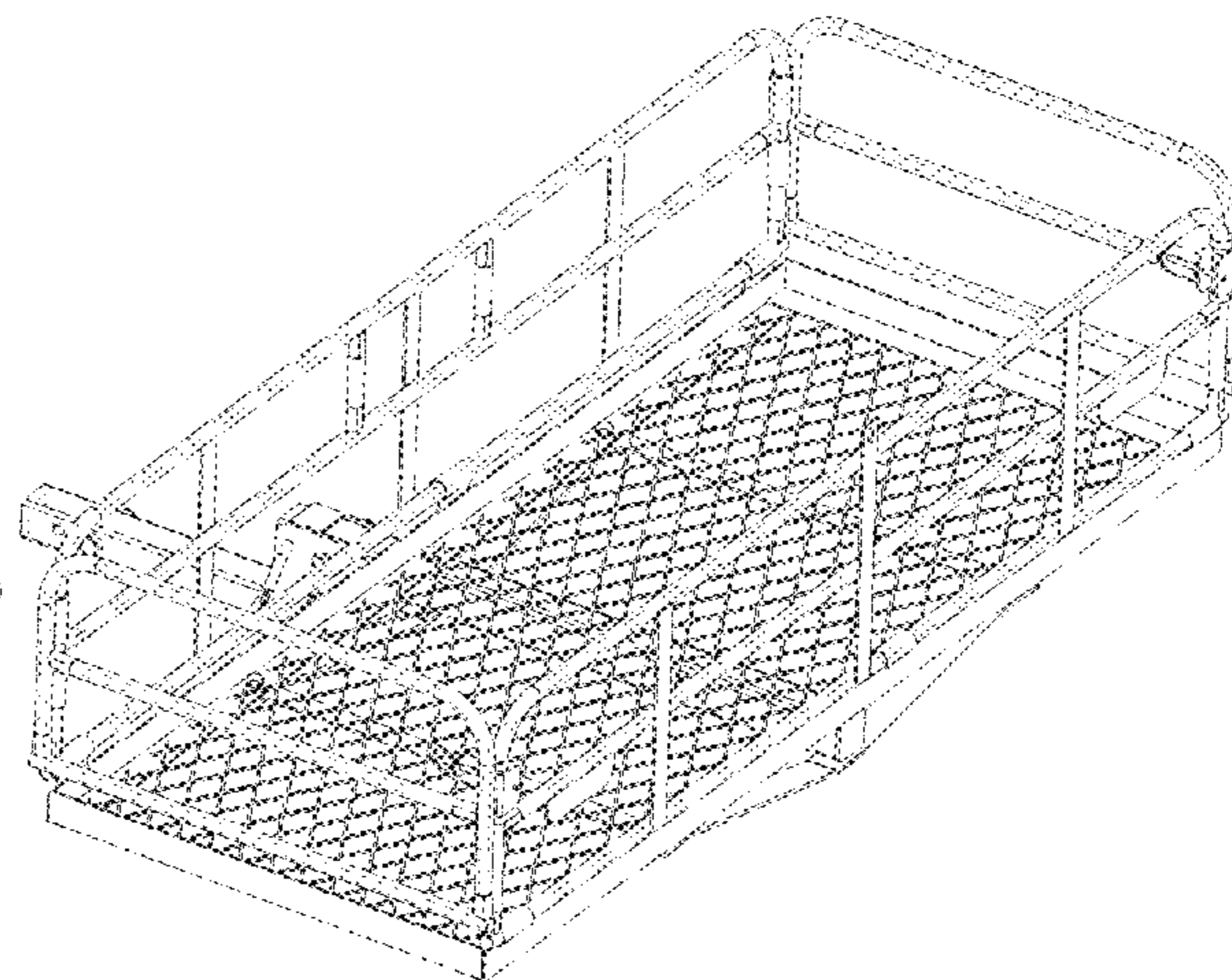
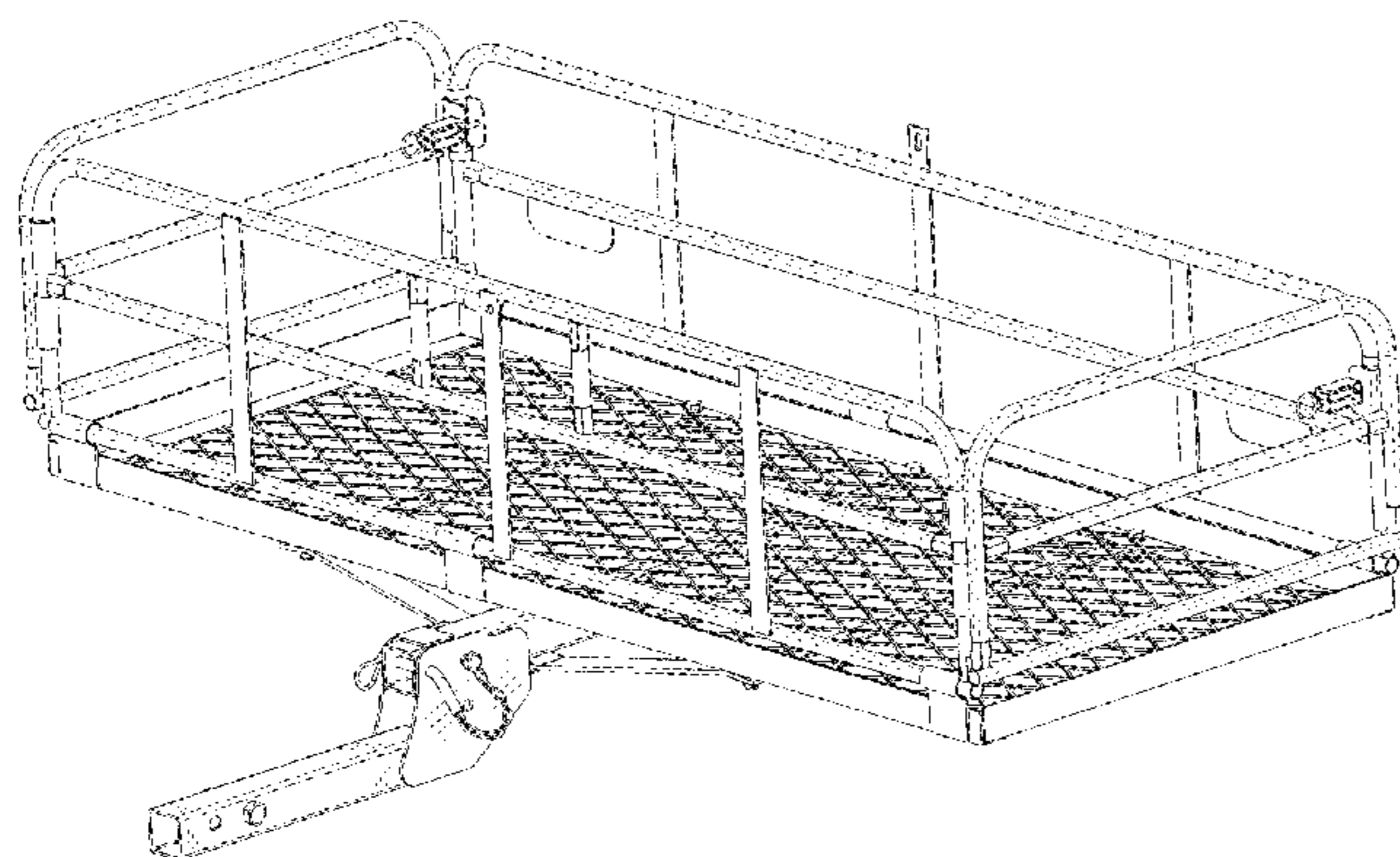
(57) **CLAIM**

The ornamental design for a hitch mount cargo carrier, as shown and described.

DESCRIPTION

FIG. 1 is a prospective view of the hitch mount cargo carrier showing my new design;
FIG. 2 is another prospective view thereof;
FIG. 3 is a front elevational view thereof;
FIG. 4 is a rear elevational view thereof;
FIG. 5 is a left side elevational view thereof;
FIG. 6 is a right side elevational view thereof;
FIG. 7 is a top plan view thereof; and,
FIG. 8 is a bottom plan view thereof.
The shade lines in the Figures show contour and not surface ornamentation.

1 Claim, 8 Drawing Sheets



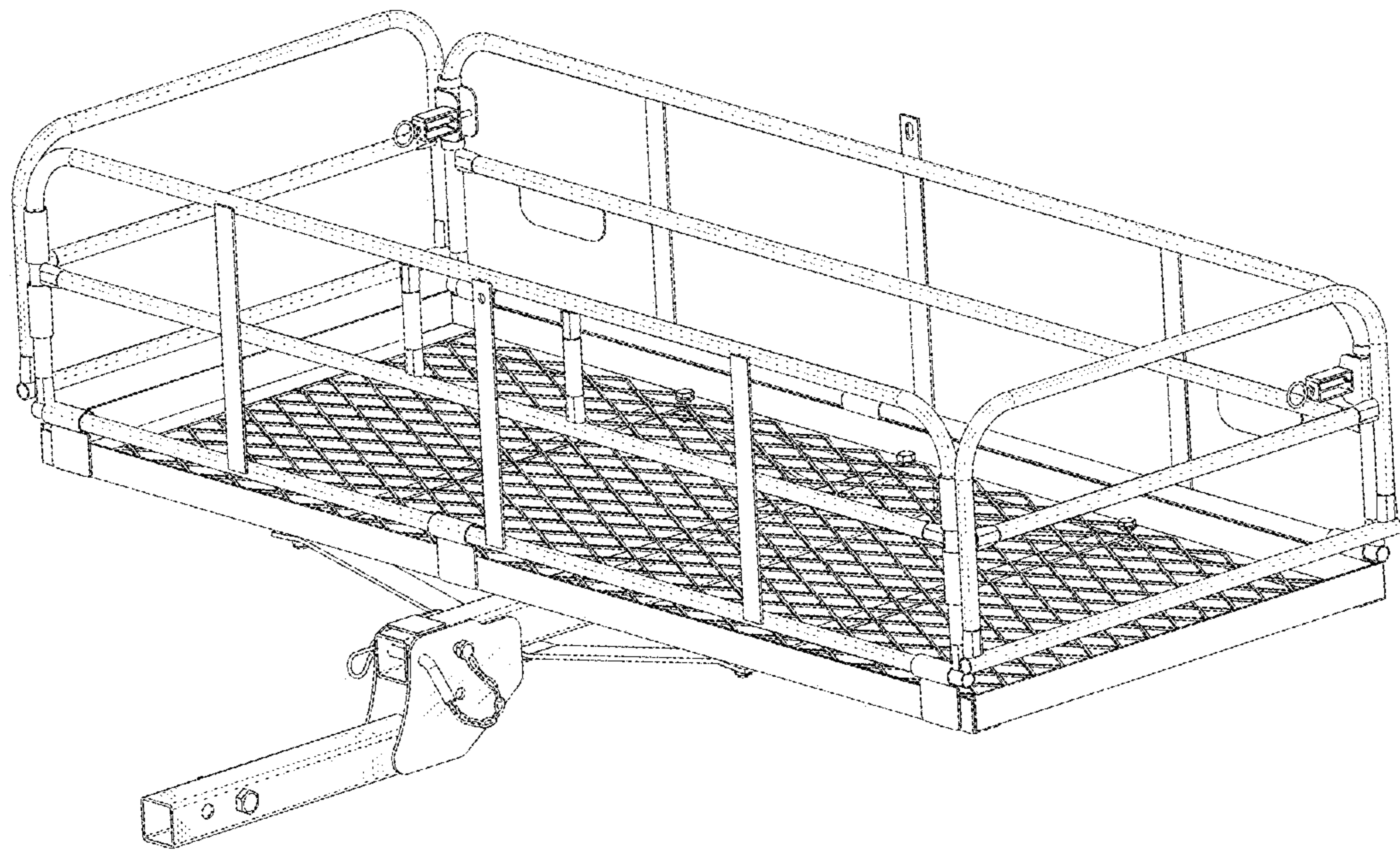


FIG. 1

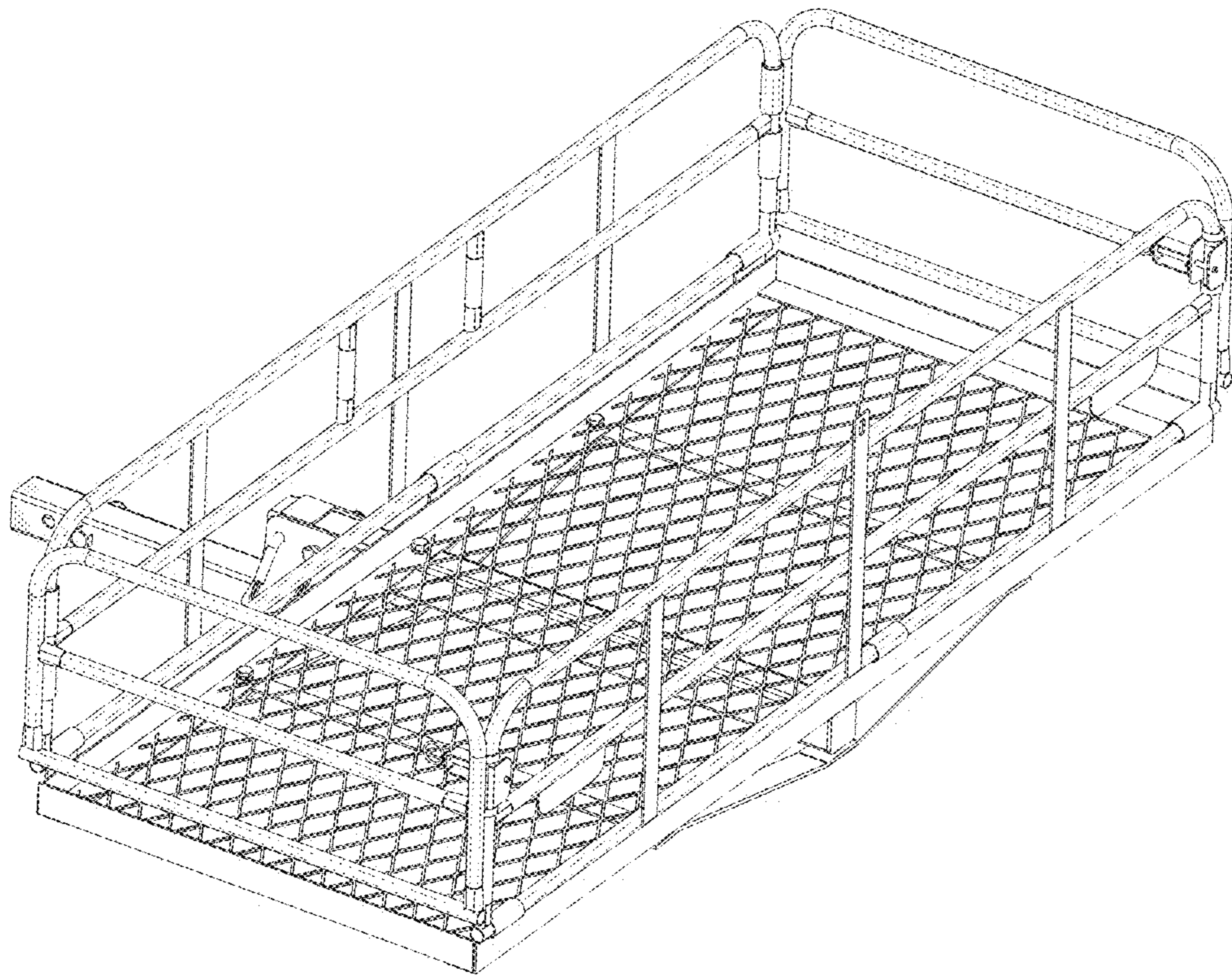


FIG. 2

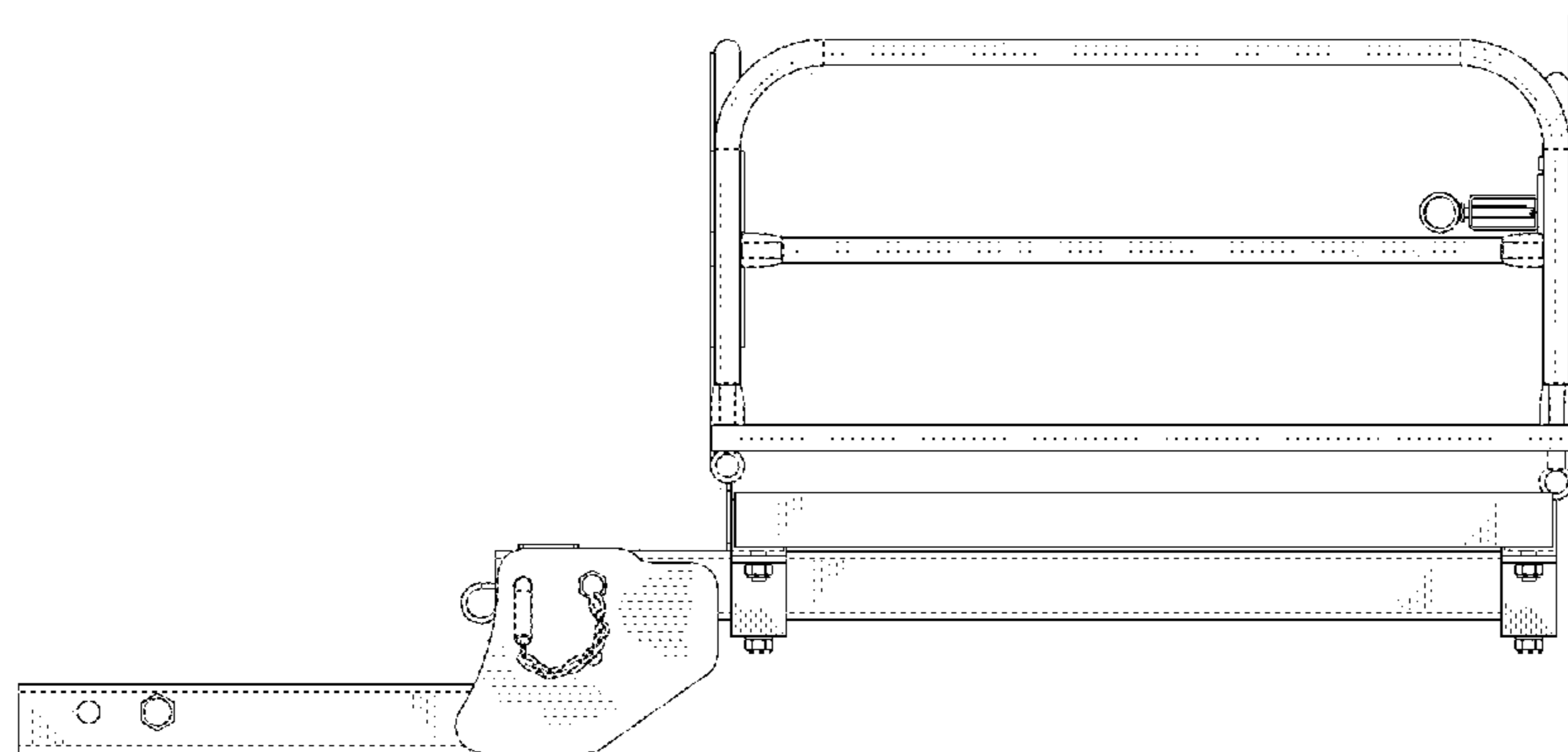


FIG. 3

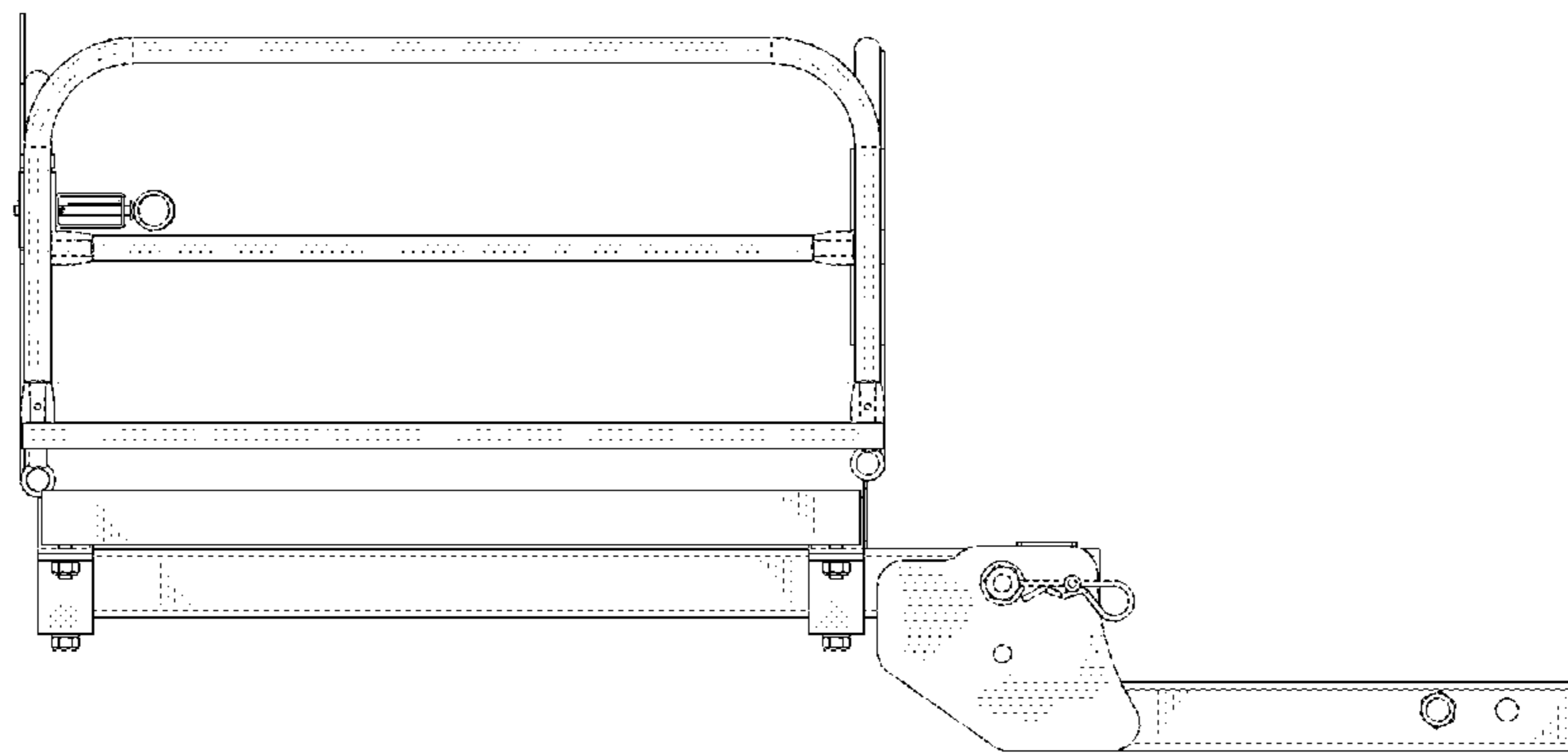


Fig. 4

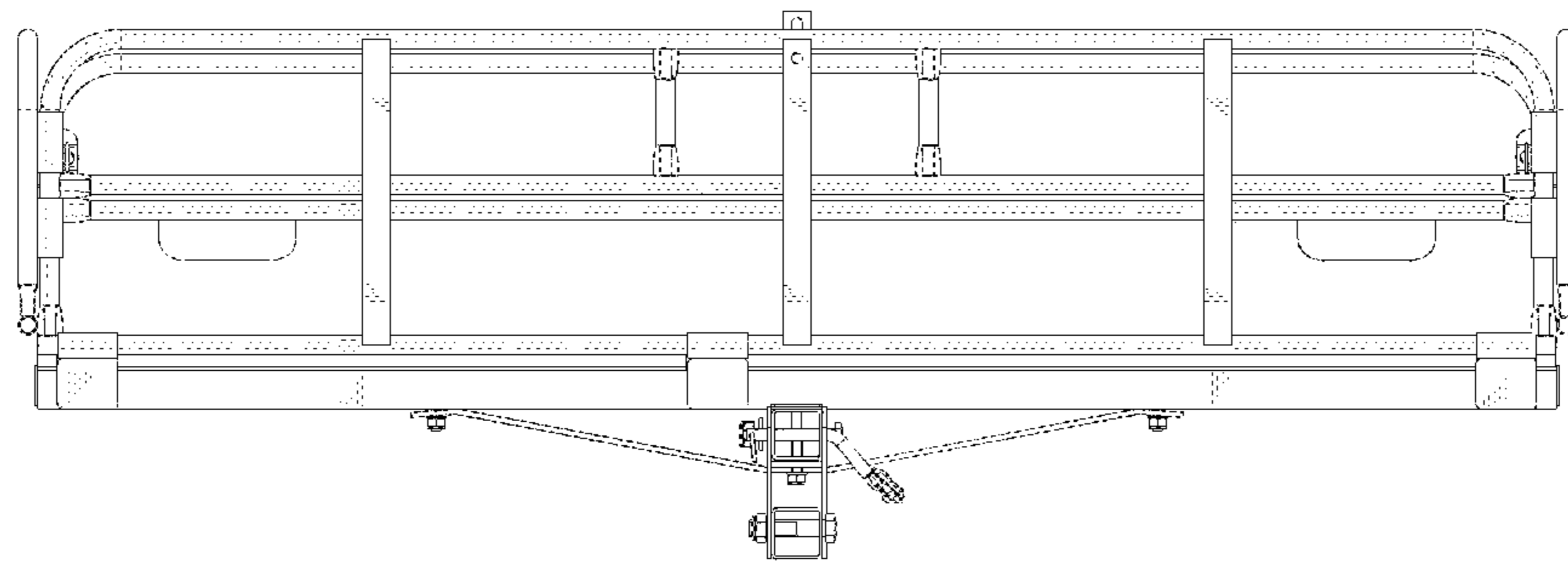


FIG. 5

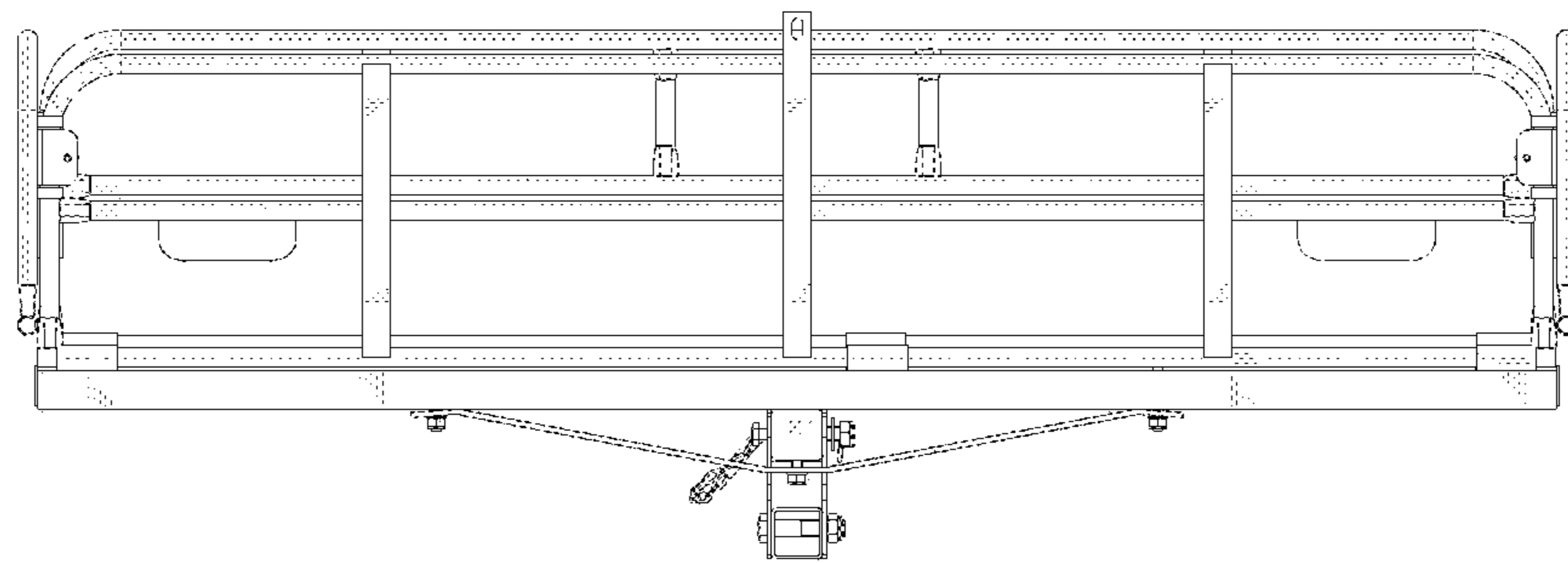


FIG. 6

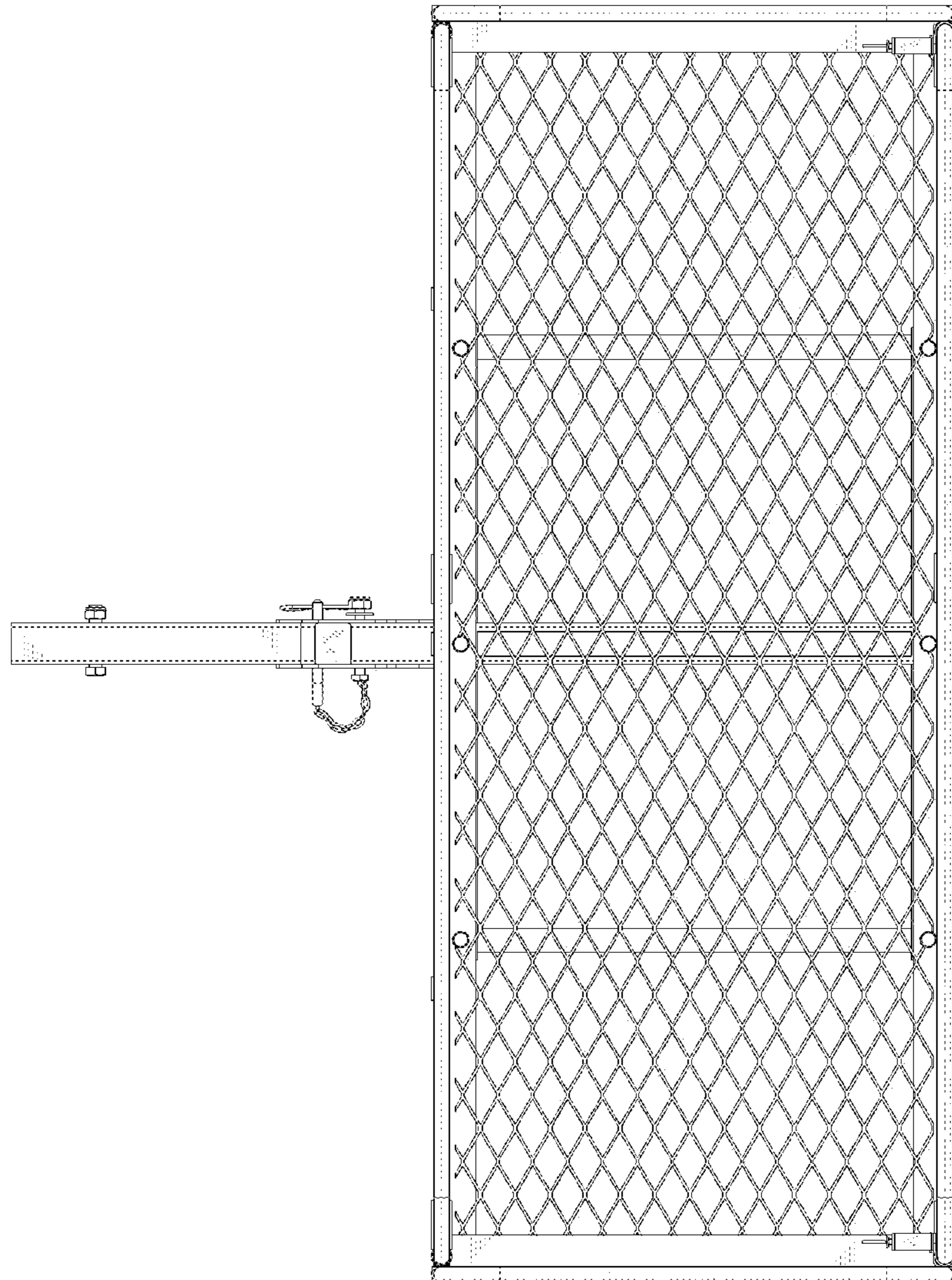


FIG. 7

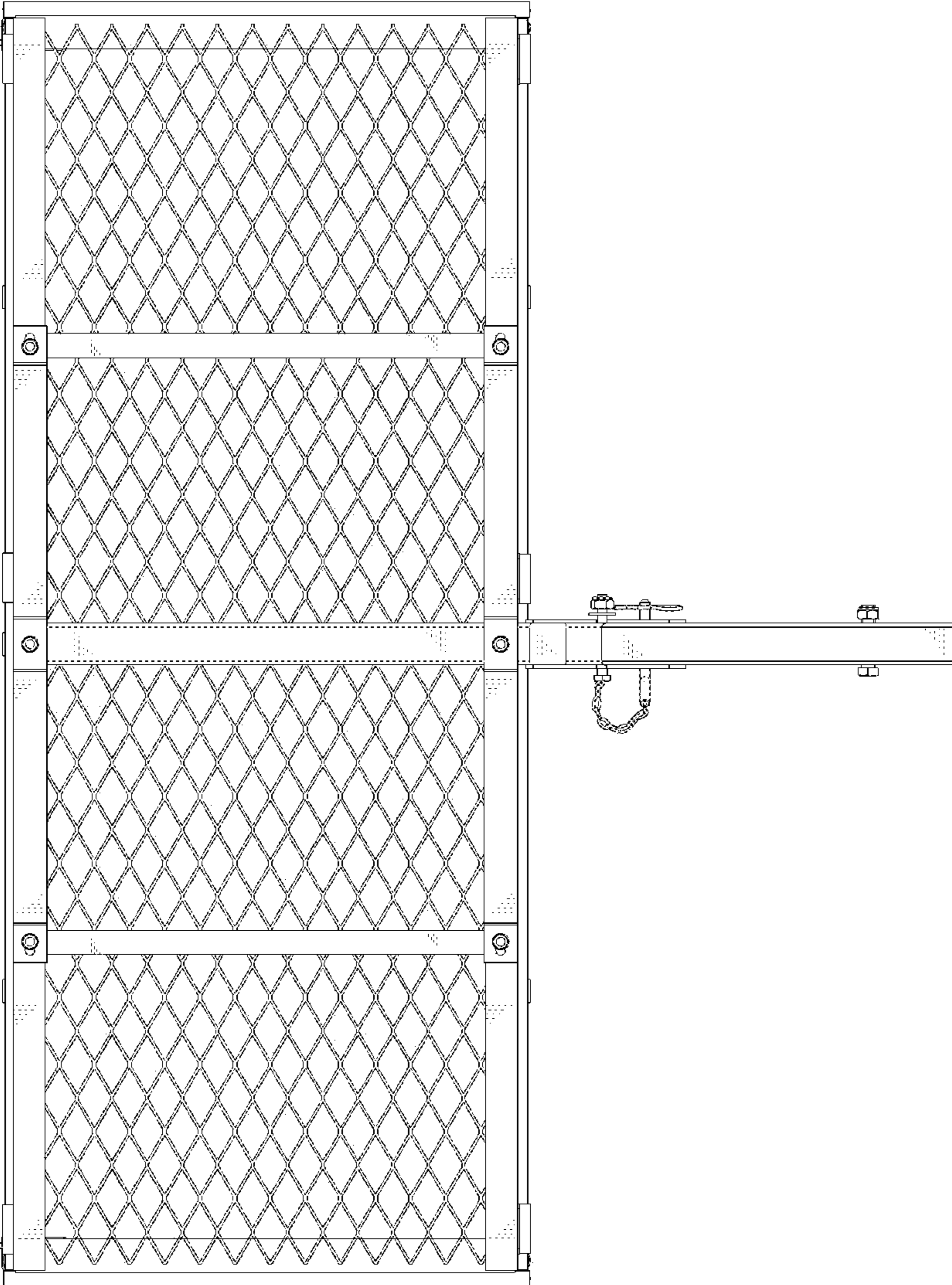


FIG. 8