



US00D909280S

(12) **United States Design Patent**
Thibodeau

(10) **Patent No.:** **US D909,280 S**

(45) **Date of Patent:** **** Feb. 2, 2021**

(54) **ROLLABLE AND MOTORIZED DOOR FOR VEHICLE SHELTER**

(74) *Attorney, Agent, or Firm* — Lavery, De Billy, LLP; Gonzalo Lavin

(71) Applicant: **9206-0979 QUEBEC INC.**, Terrebonne (CA)

(57) **CLAIM**

The ornamental design for a rollable and motorized door for vehicle shelter, as shown and described.

(72) Inventor: **Jean Thibodeau**, Terrebonne (CA)

(73) Assignee: **9206-0979 QUEBEC INC.**

DESCRIPTION

(**) Term: **15 Years**

FIG. 1 is a perspective view of a rollable and motorized door which is mounted on a vehicle shelter, the door comprising a sheet with lateral bulges and the door being in a wound position;

(21) Appl. No.: **29/658,590**

FIG. 2 is a front view of the rollable and motorized door which is mounted on the vehicle shelter shown in FIG. 1;

(22) Filed: **Aug. 1, 2018**

FIG. 3 is a rear view of the rollable and motorized door which is mounted on the vehicle shelter shown in FIG. 1;

(51) **LOC (13) Cl.** **12-16**

FIG. 4 is a right side view of the rolled and motorized door that is mounted to the vehicle shelter shown in FIG. 1;

(52) **U.S. Cl.**

USPC **D12/401**

FIG. 5 is a detailed perspective view of the left side of the rollable and motorized door which is mounted on the vehicle shelter shown in FIG. 1;

(58) **Field of Classification Search**

USPC D12/401–405; D6/610, 611, 596, D6/601–603, 615, 617, 621; D7/332, D7/334–337

FIG. 6 is a detailed perspective view of the left side of the rollable and motorized door which is shown in FIG. 1;

CPC B65D 85/68; B65D 31/16; B65D 33/02; B60R 5/04; B60R 5/045; B60P 7/04

FIG. 7 is a detailed perspective view of the right side of the rollable and motorized door which is shown in FIG. 1;

See application file for complete search history.

FIG. 8 is a detailed perspective view of the rolled sheet mounted on a mandrel of the rollable door shown in FIG. 1, the sheet including a lateral bulge;

(56) **References Cited**

U.S. PATENT DOCUMENTS

5,579,820 A	12/1996	LePage	
D659,852 S *	5/2012	Everson	D25/18
D679,771 S *	4/2013	Muggleton	D21/834
D761,715 S *	7/2016	Travis	D12/401
D770,358 S *	11/2016	Fernandez	D12/401
D781,209 S *	3/2017	Houck	D12/402
D803,762 S *	11/2017	Greenblatt	D12/402
D816,585 S *	5/2018	Doughty	D12/402
D826,135 S *	8/2018	Zhu	D12/401
D837,129 S *	1/2019	Martins	D12/401
2013/0025802 A1	1/2013	Hamelin	

(Continued)

FIG. 9 is a front view of the sheet of the rollable door in an unwound position, the lateral sides with the bulge of the sheet being inserted into an extrusion of a clip mounted on the vehicle shelter;

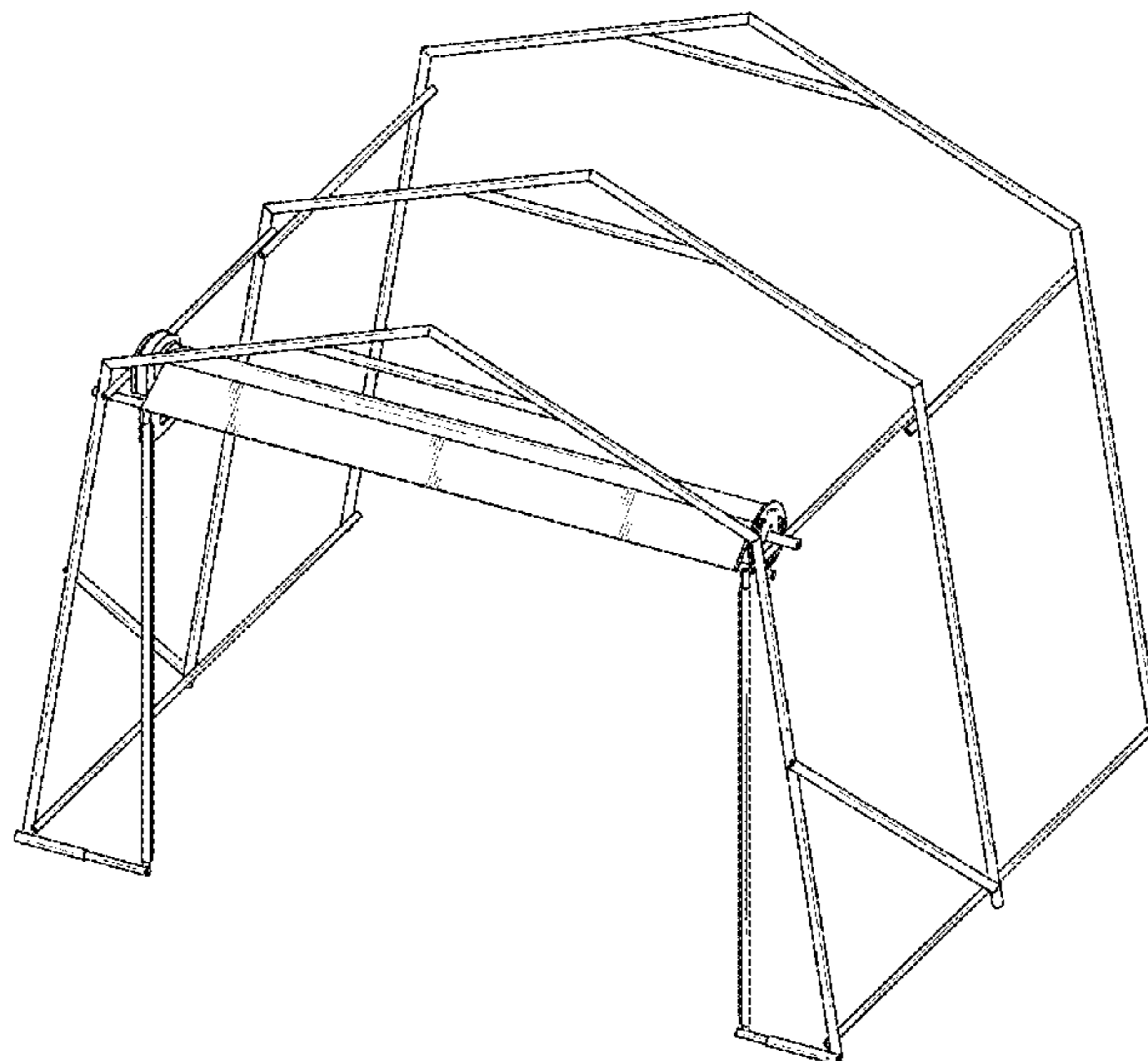
FIG. 10 is a top view of the unrolled sheet shown in FIG. 9;

and,

FIG. 11 is a detail view from above of the left side of the sheet shown in FIG. 10, a right side of the sheet with the bulge being inserted into an extrusion of a clip mounted on the vehicle shelter shown in FIG. 10.

Primary Examiner — Katrina A Betton

1 Claim, 9 Drawing Sheets



(56)

References Cited

U.S. PATENT DOCUMENTS

2018/0002939 A1* 1/2018 Harve A01K 1/033
2019/0032361 A1* 1/2019 Brian E04H 15/18
2019/0376309 A1* 12/2019 Montsalvo B60P 3/343
2020/0190844 A1* 6/2020 Ribner E04H 15/50

* cited by examiner

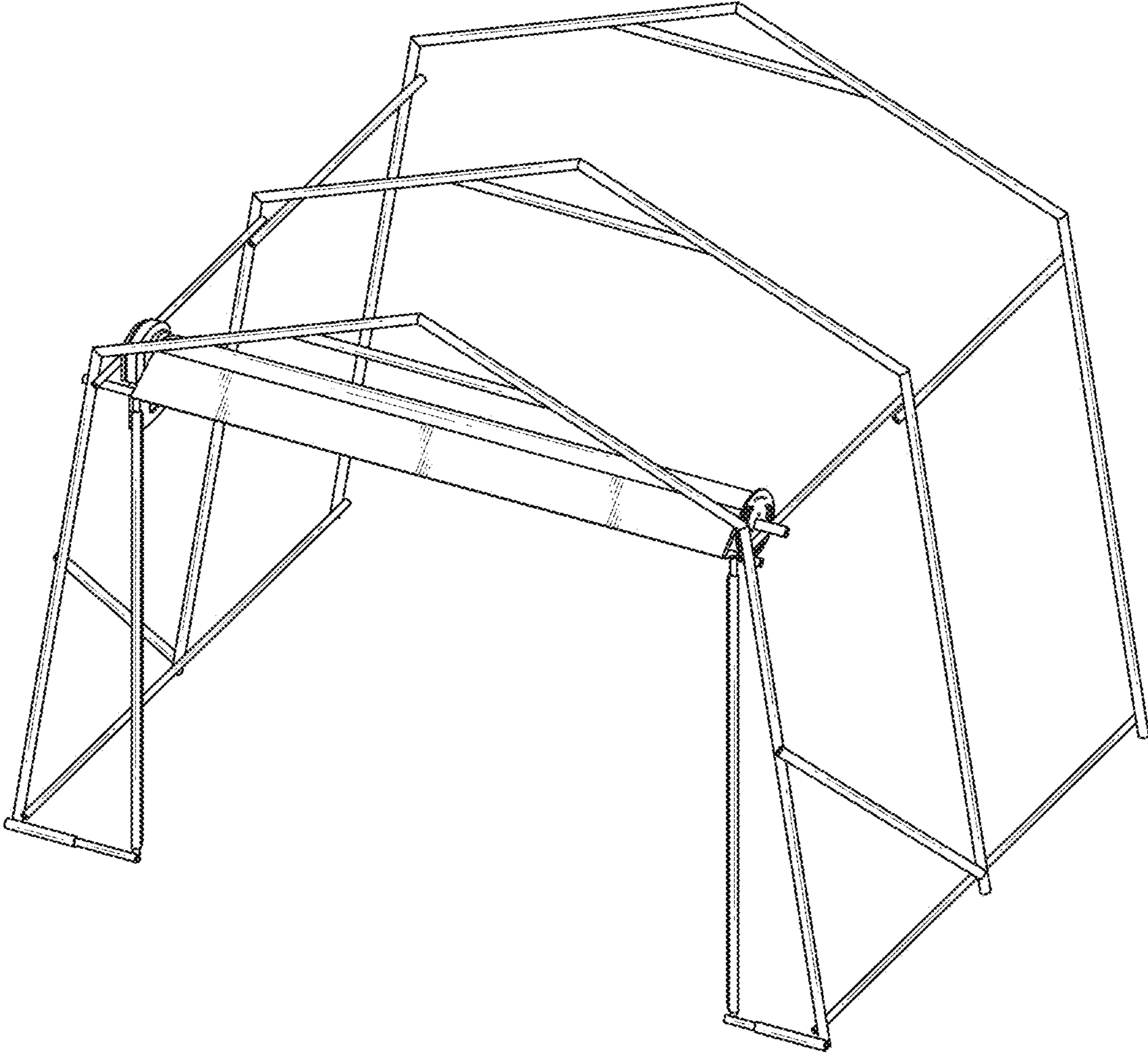


FIG. 1

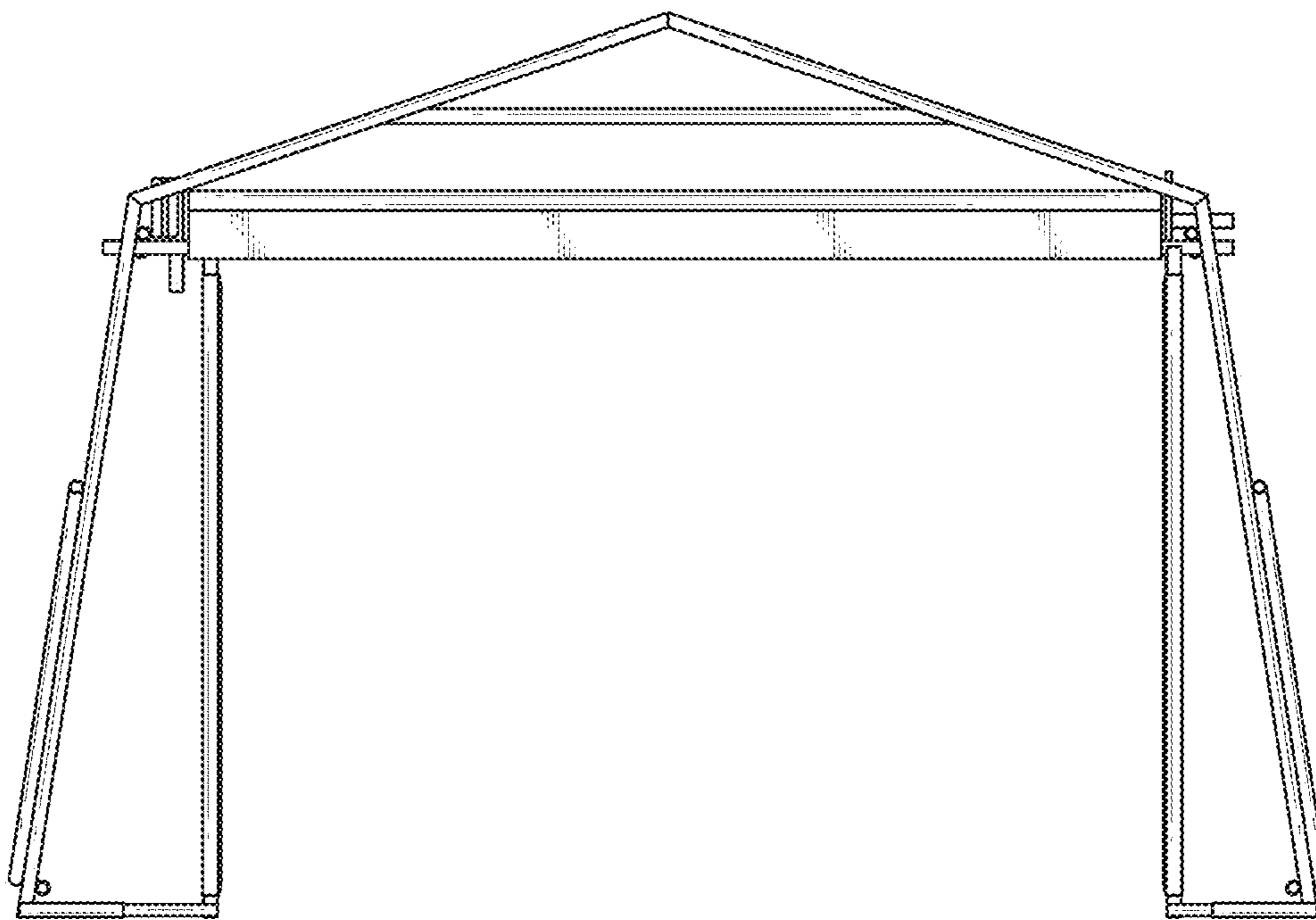


FIG. 2

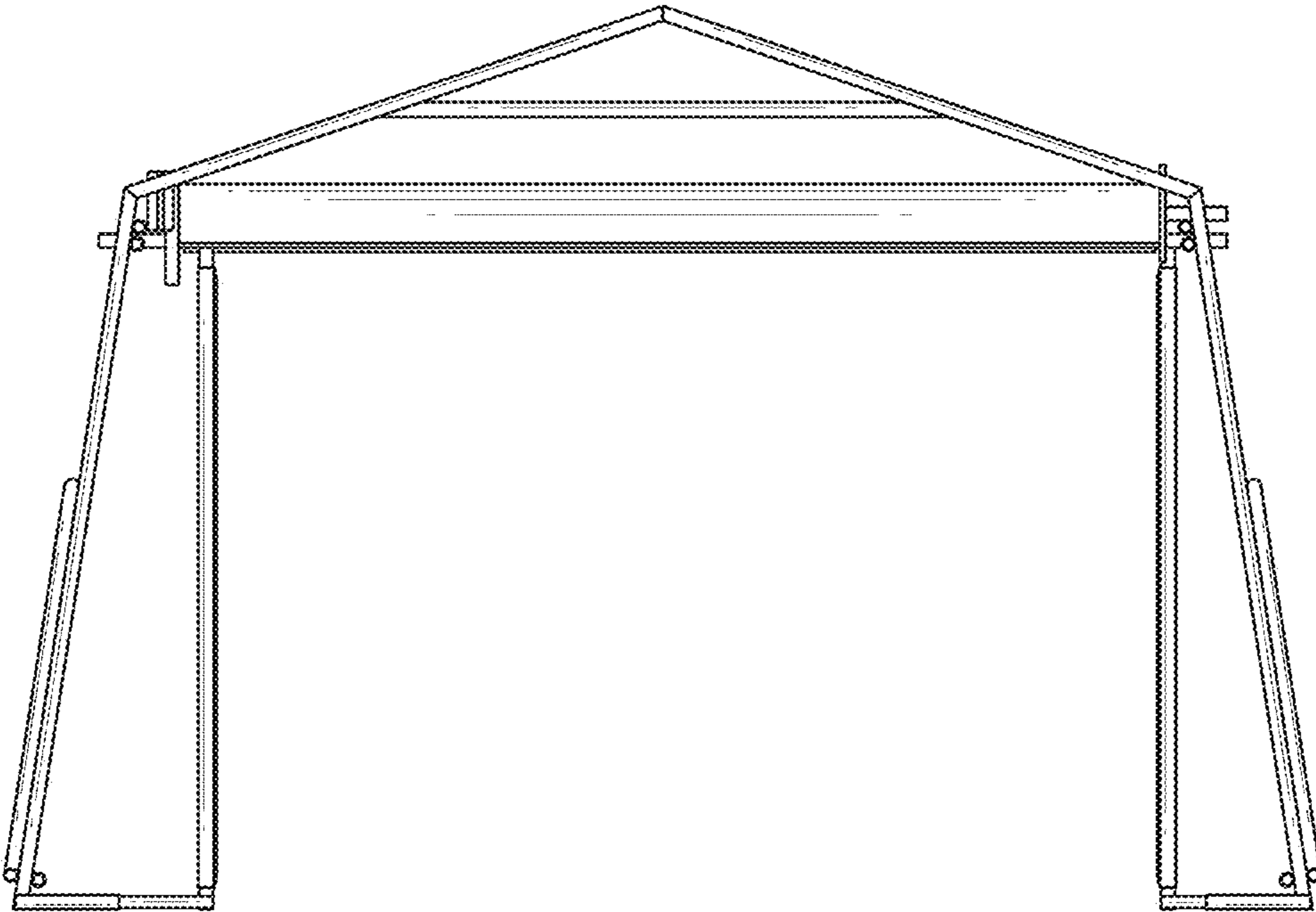


FIG. 3

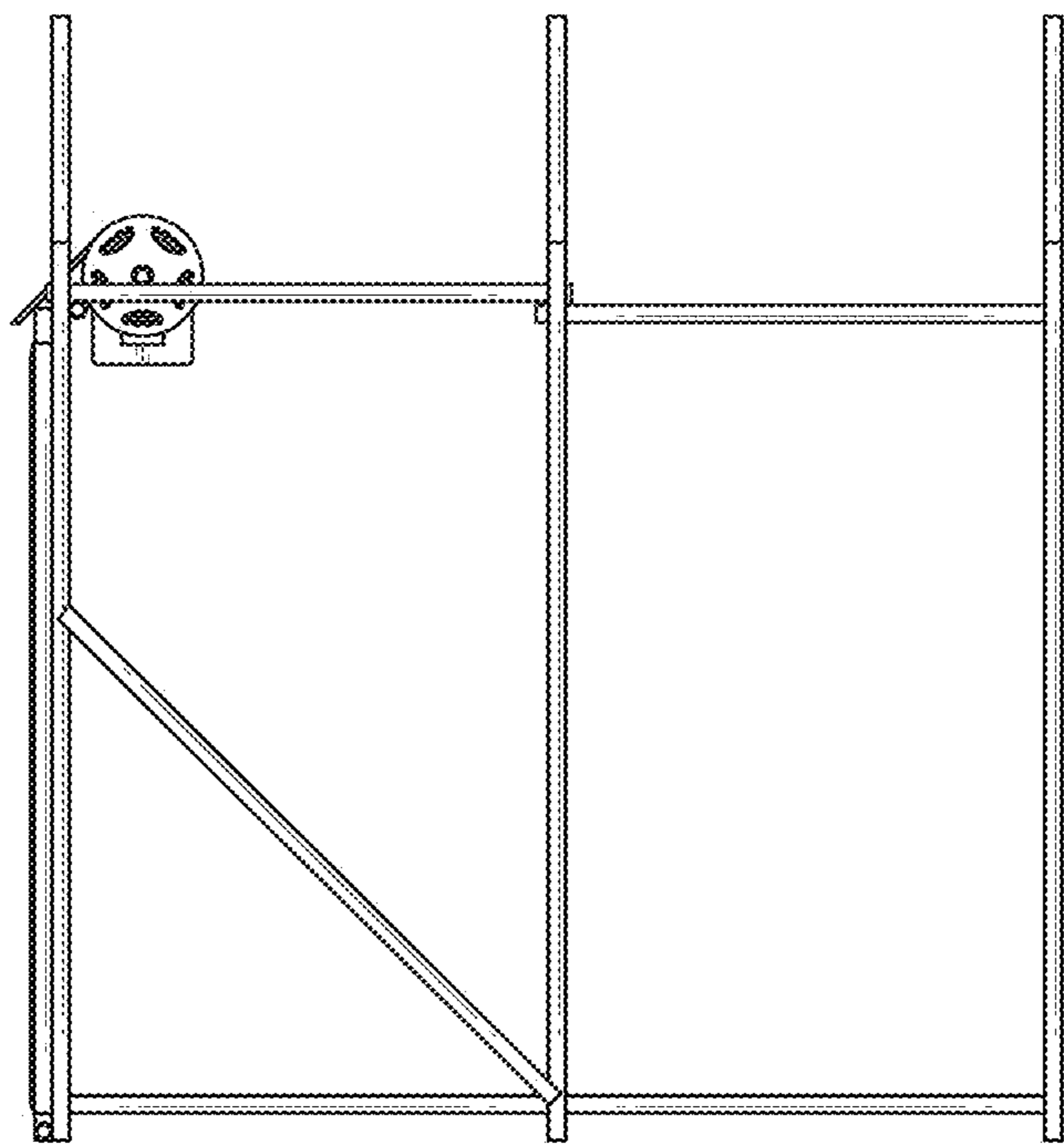


FIG. 4

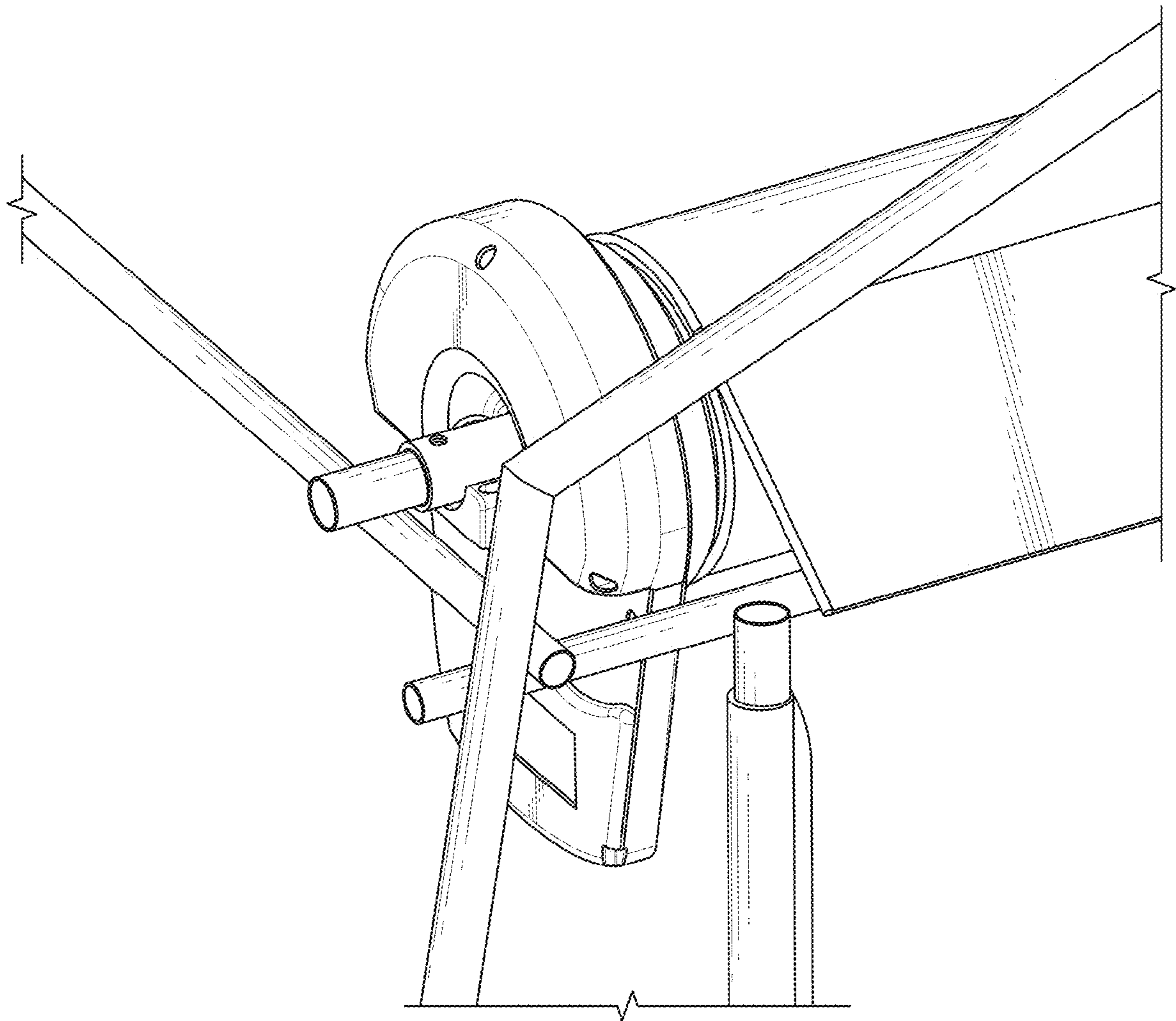


FIG. 5

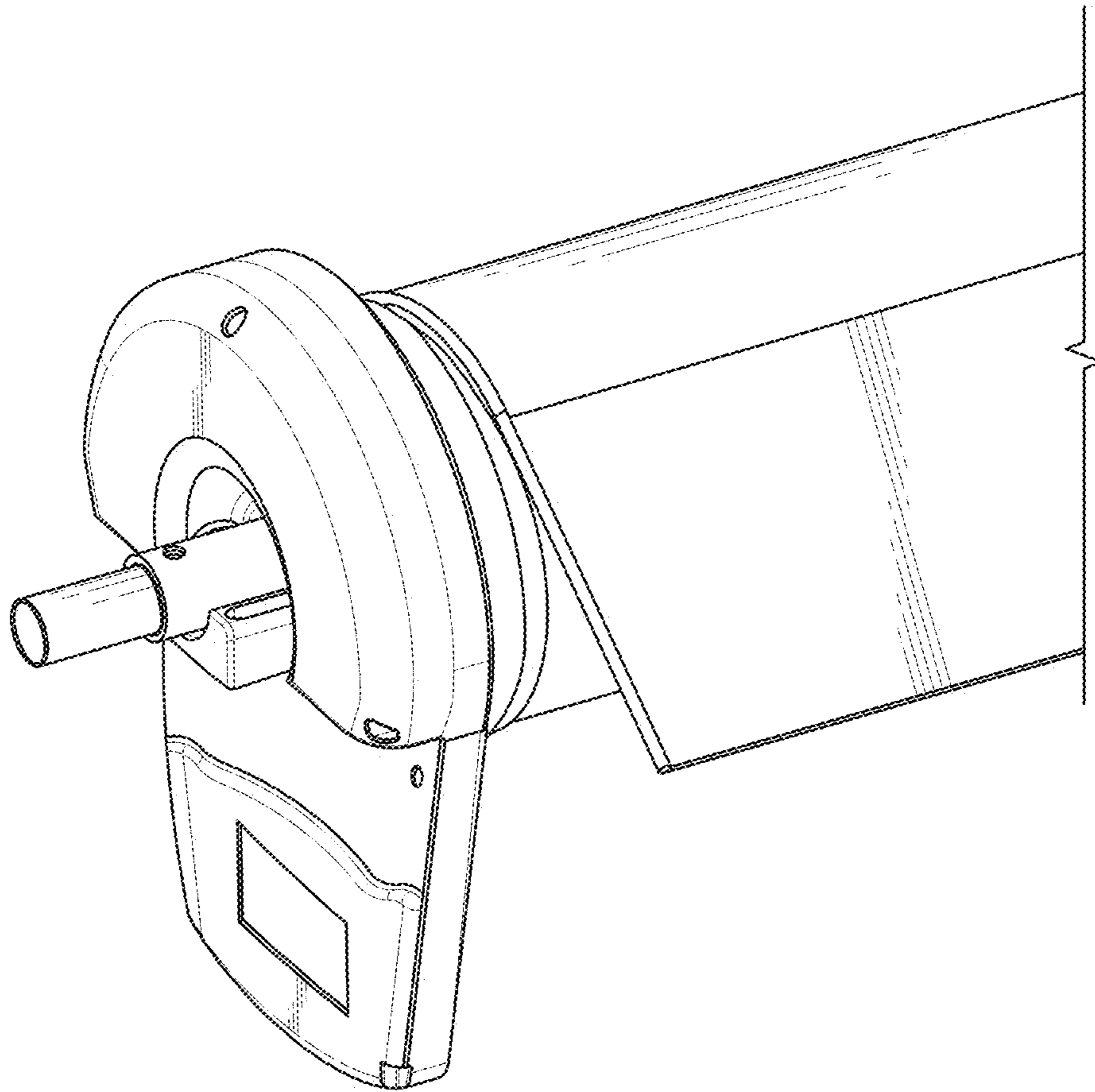


FIG. 6

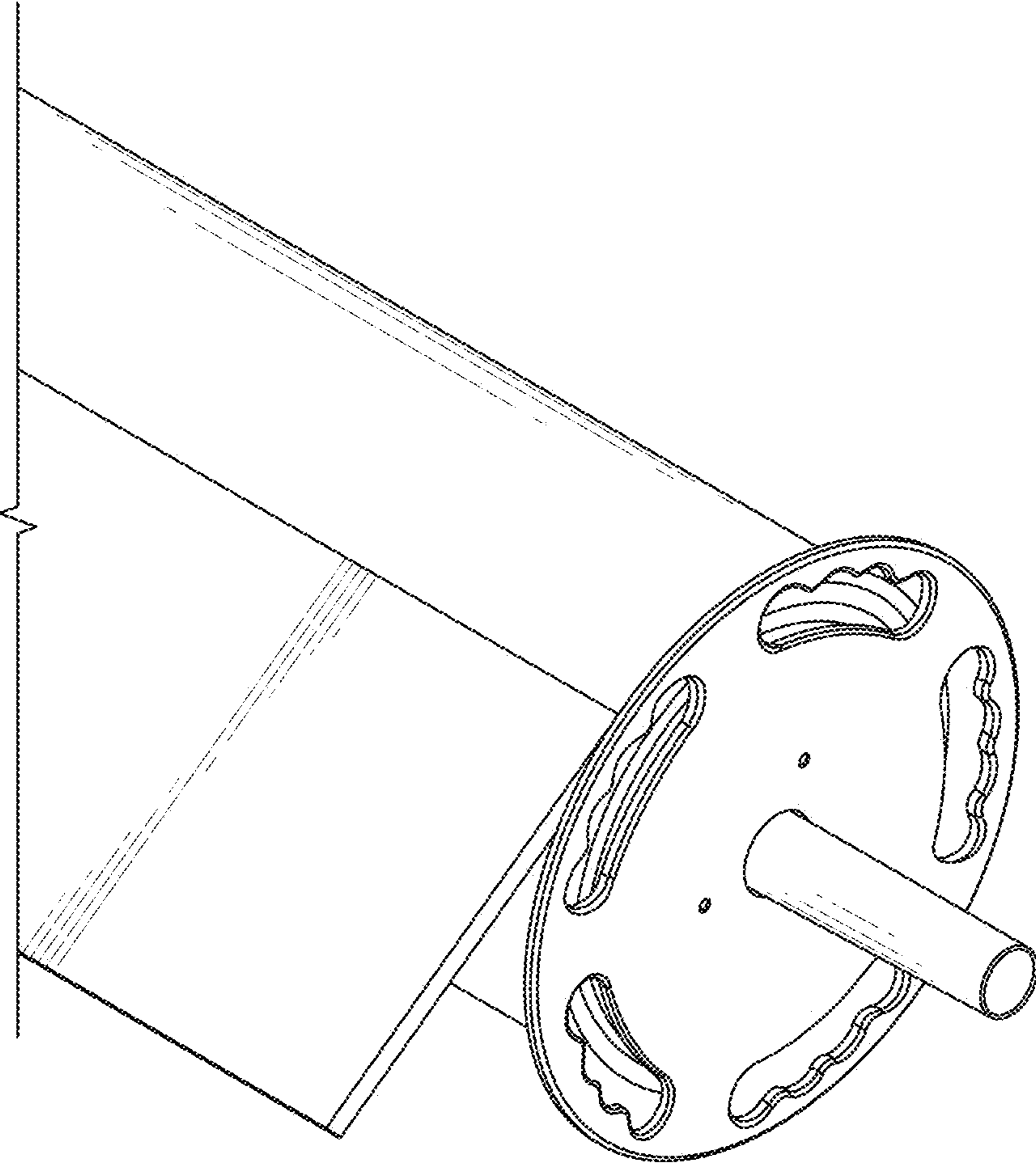


FIG. 7

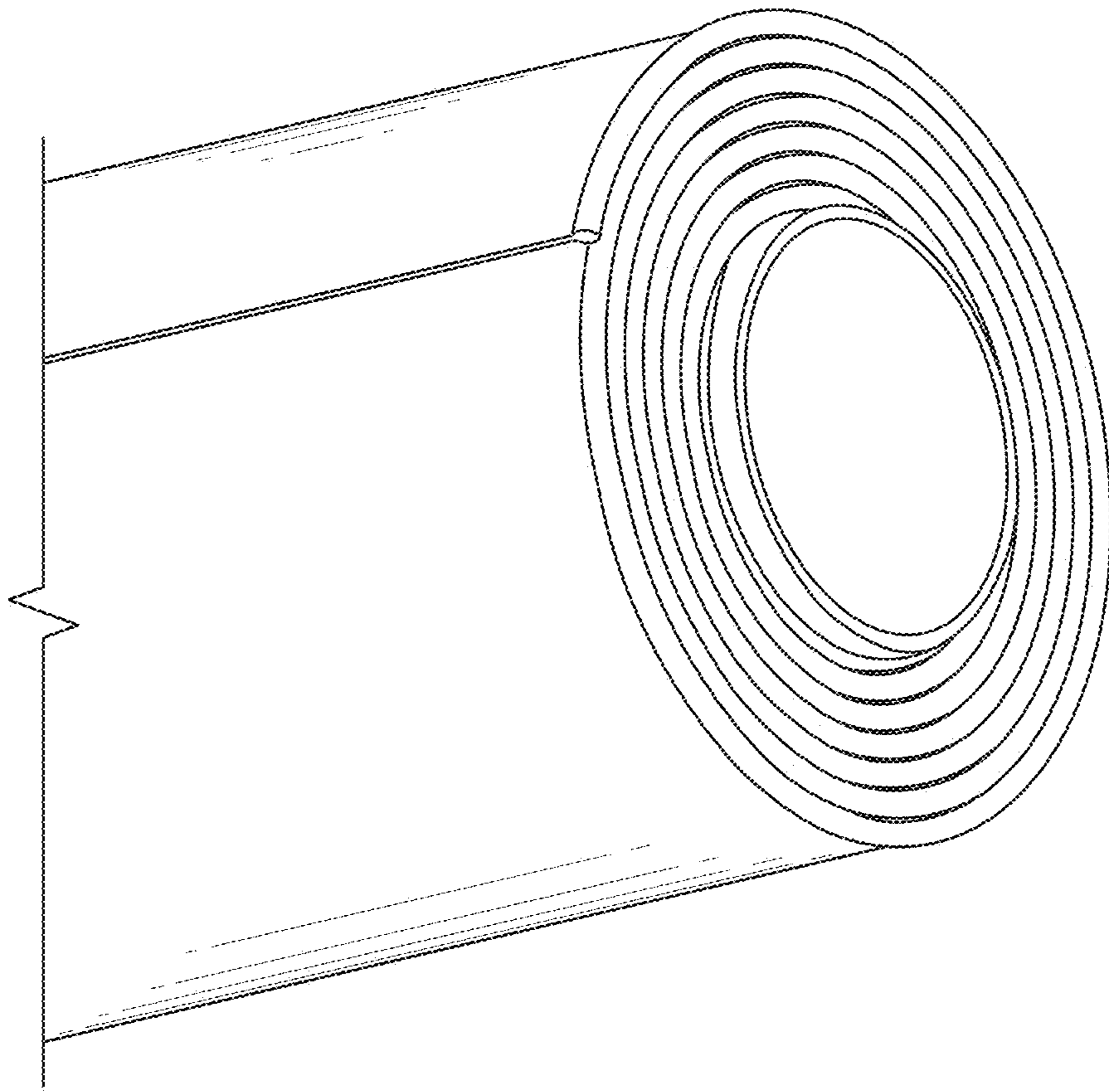


FIG. 8

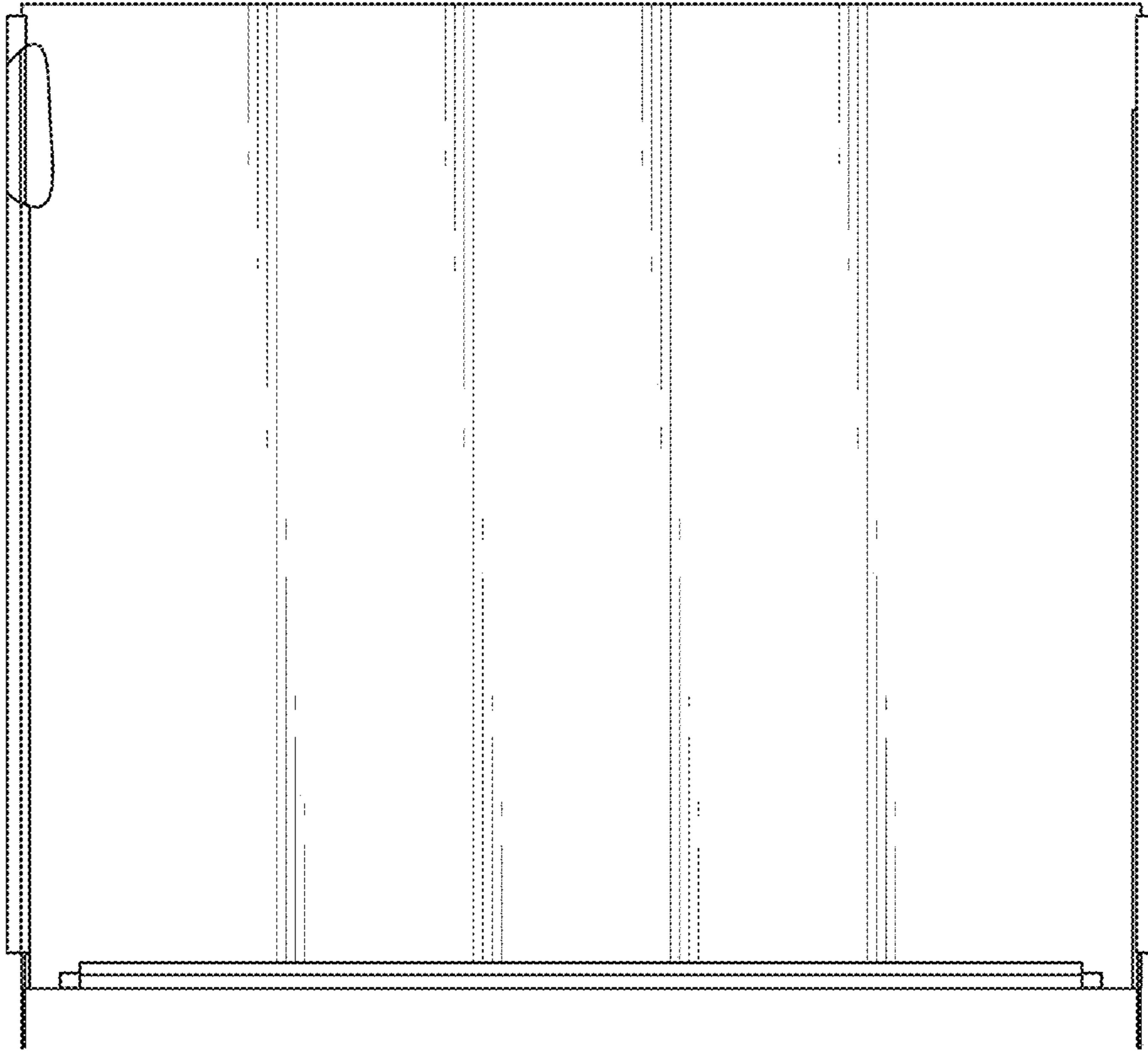


FIG. 9

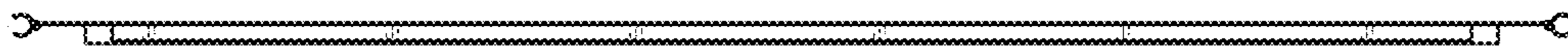


FIG. 10

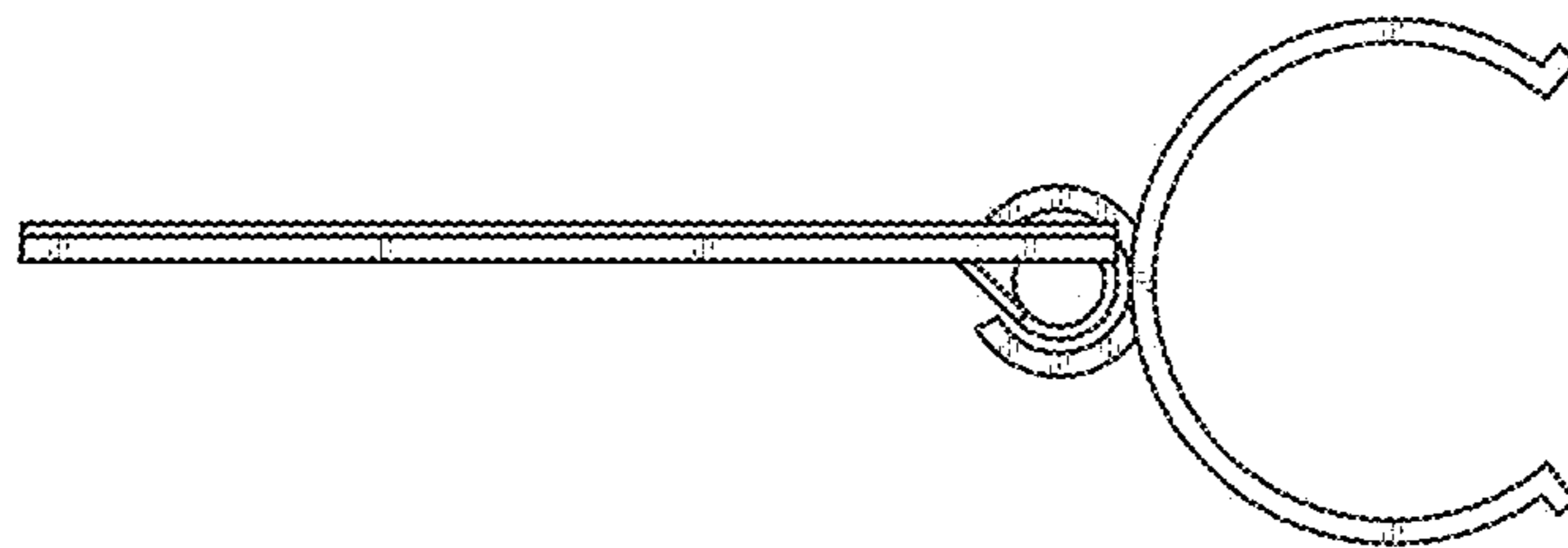


FIG. 11