



US00D909277S

(12) **United States Design Patent**
Hall et al.

(10) **Patent No.:** **US D909,277 S**

(45) **Date of Patent:** **** Feb. 2, 2021**

(54) **TRAY FOR A TRUCK**
(71) Applicant: **AUSTIN ENGINEERING LIMITED,**
Milton (AU)

D761,185 S * 7/2016 Coyle D12/221
D798,796 S * 10/2017 Yang D12/331
D820,188 S * 6/2018 Hanson D12/221
D821,955 S * 7/2018 Dexter D12/221
D852,717 S * 7/2019 Champney D12/221
D852,718 S * 7/2019 Champney D12/221

(72) Inventors: **Jamie Vincent Clarke Hall,**
Kalamunda (AU); **Lyndon Brian**
Greeshaw, Yukine (AU)

FOREIGN PATENT DOCUMENTS

(73) Assignee: **AUSTIN ENGINEERING LIMITED**

AU 332686 8/2010
CL 42705 3/2001

(**) Term: **15 Years**

OTHER PUBLICATIONS

(21) Appl. No.: **29/681,663**

“Hercules Tray from DT Australia”, pp. 6-7, available as early as Jul. 22, 2019.

(22) Filed: **Feb. 27, 2019**

* cited by examiner

(30) **Foreign Application Priority Data**

Aug. 30, 2018 (AU) 201815225

Primary Examiner — Katrina A Betton

(51) **LOC (13) Cl.** **12-16**

(74) *Attorney, Agent, or Firm* — Saidman DesignLaw Group, LLC

(52) **U.S. Cl.**
USPC **D12/221**

(57) **CLAIM**

(58) **Field of Classification Search**
USPC D12/221, 98; D9/431–433, 44, 420, 422,
D9/423, 424

The ornamental design for a tray for a truck, as shown and described.

CPC .. B60R 99/00; B60R 5/00; B60R 7/04; B60N
2/30

DESCRIPTION

See application file for complete search history.

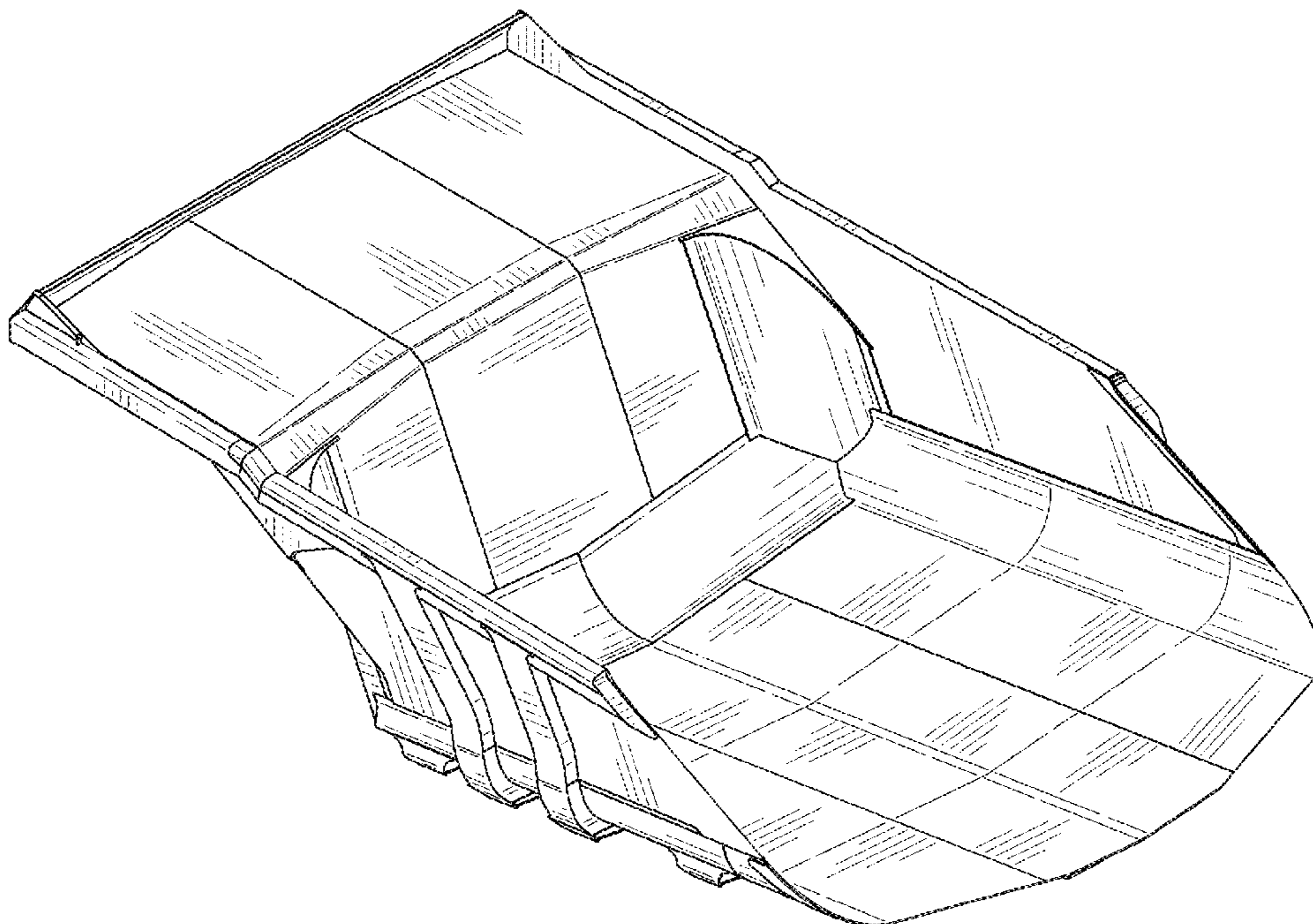
FIG. 1 is a front perspective view of a tray for a truck showing our new design;
FIG. 2 is a rear perspective view thereof;
FIG. 3 is a front view thereof;
FIG. 4 is a rear view thereof;
FIG. 5 is a right side view thereof;
FIG. 6 is a left side view thereof;
FIG. 7 is a top view thereof; and,
FIG. 8 is a bottom view thereof.

(56) **References Cited**

U.S. PATENT DOCUMENTS

D483,314 S * 12/2003 Graves D12/221
D488,764 S * 4/2004 Sierakowski D12/221
D537,770 S * 3/2007 Yamazaki D12/221
D718,697 S * 12/2014 Koblenzer D12/221

1 Claim, 7 Drawing Sheets



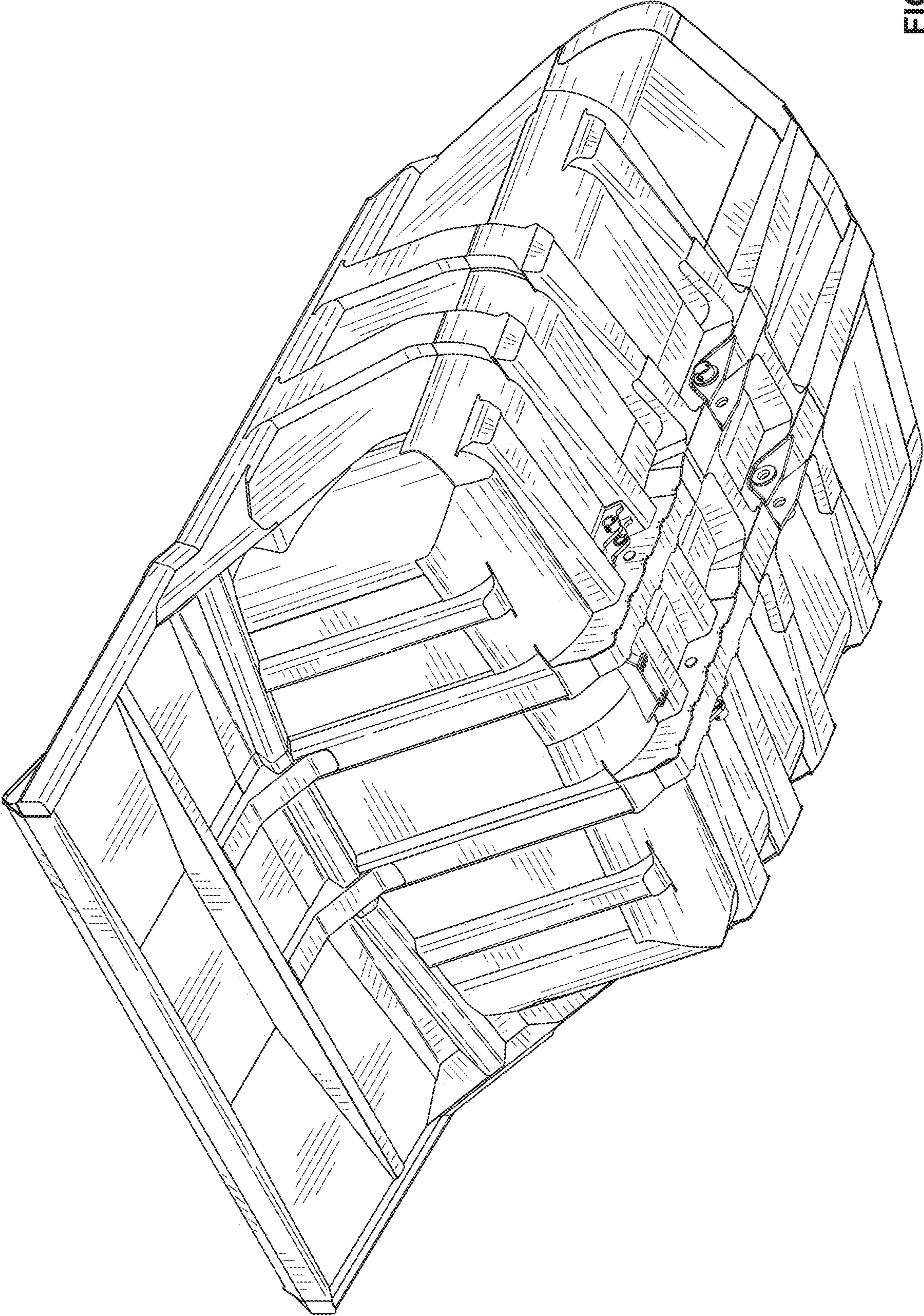


FIG. 1

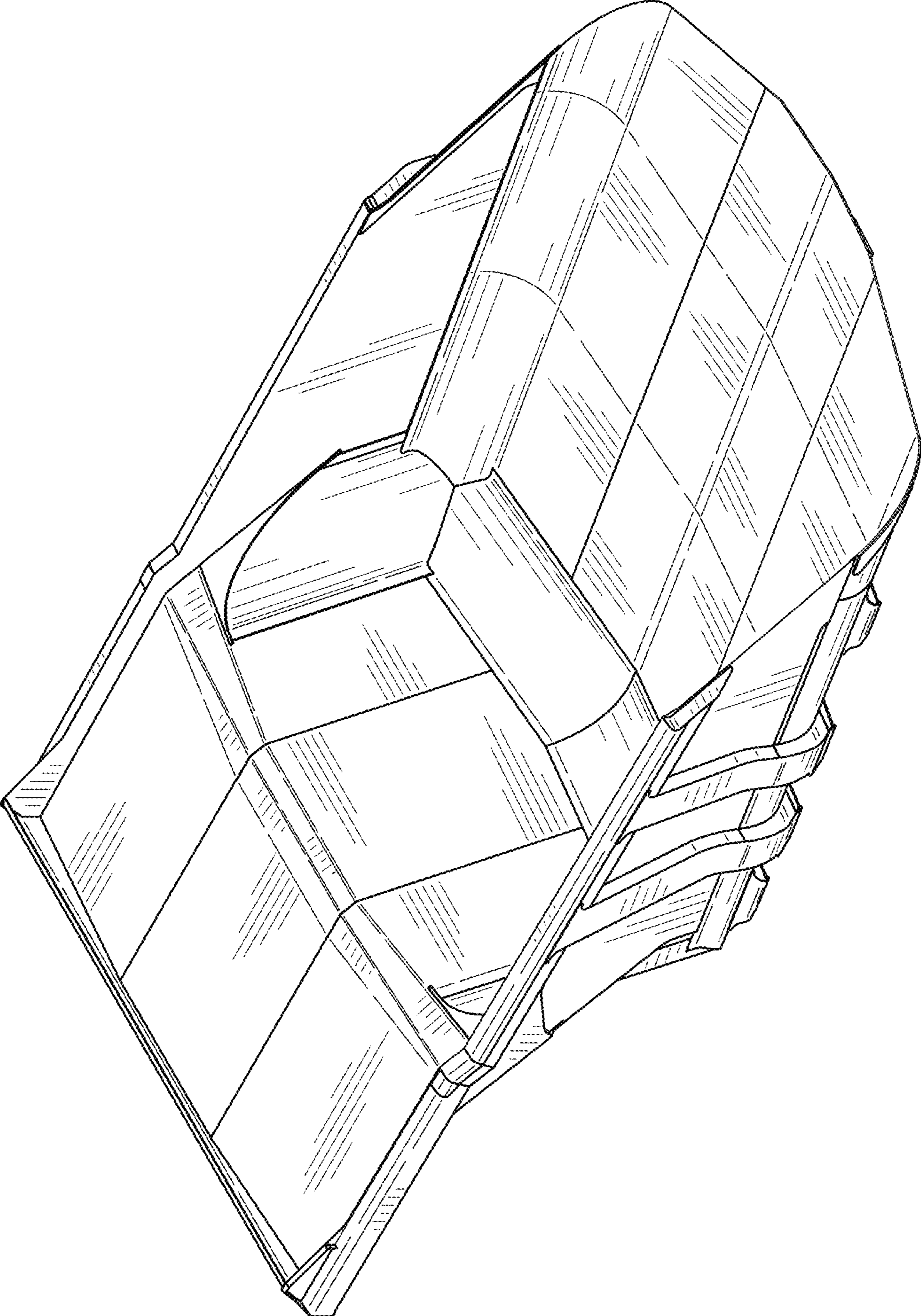


FIG. 2

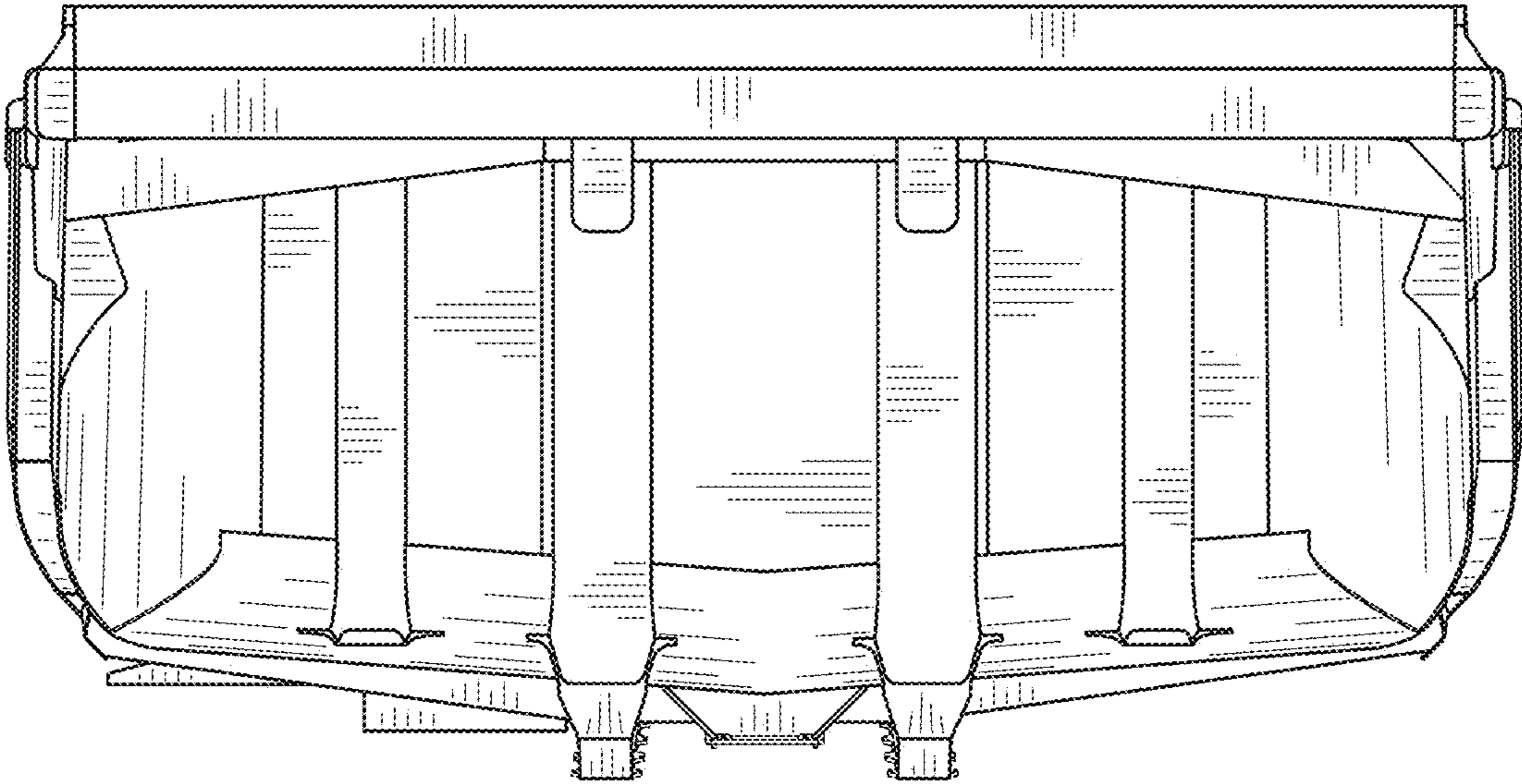


FIG. 3

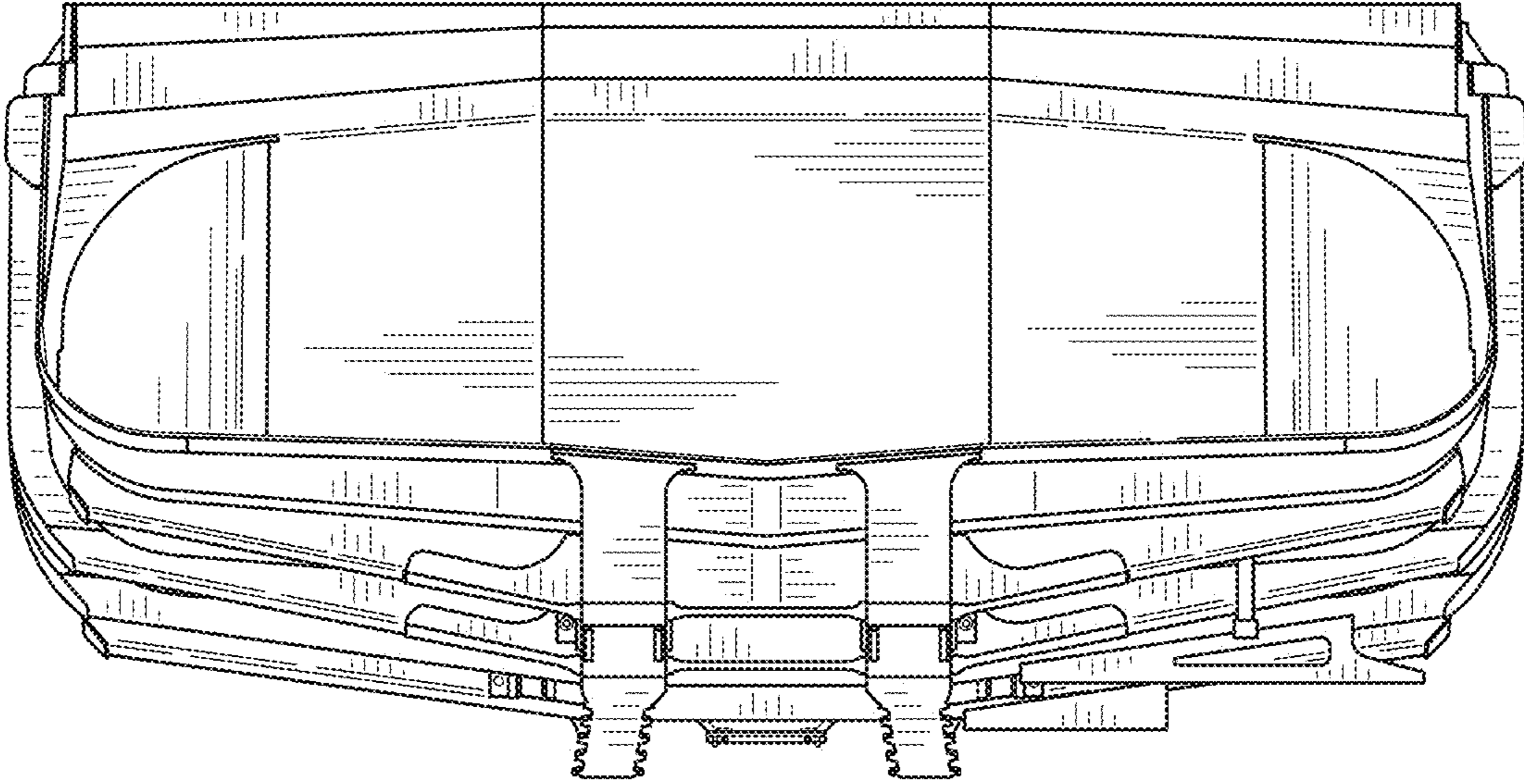


FIG. 4

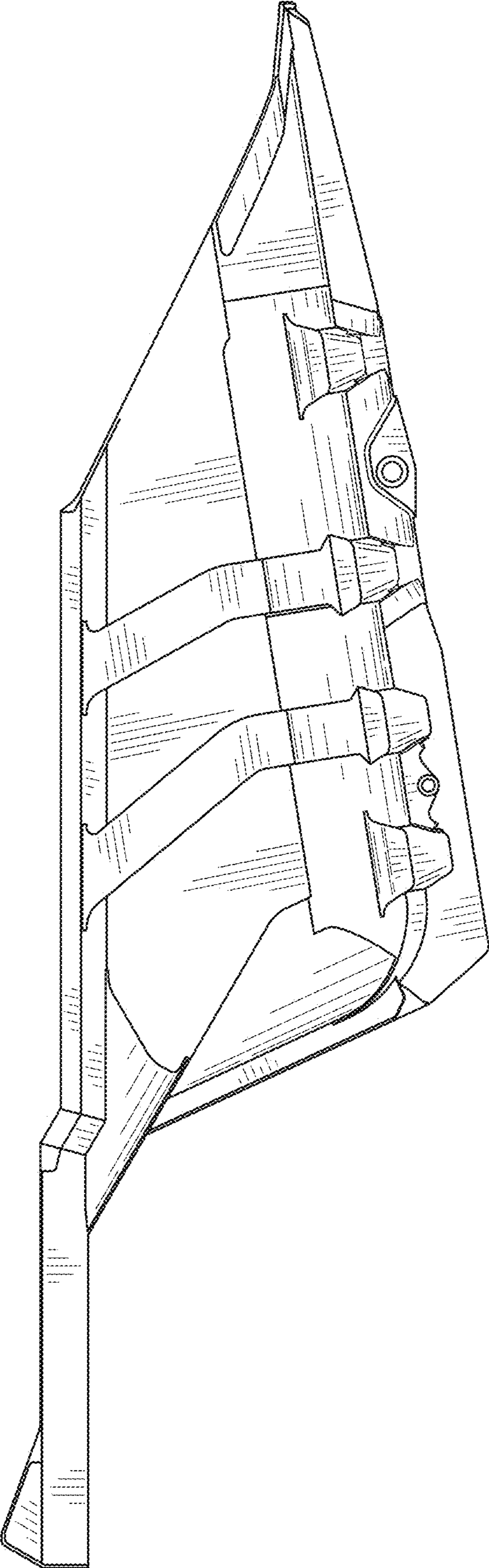


FIG. 5

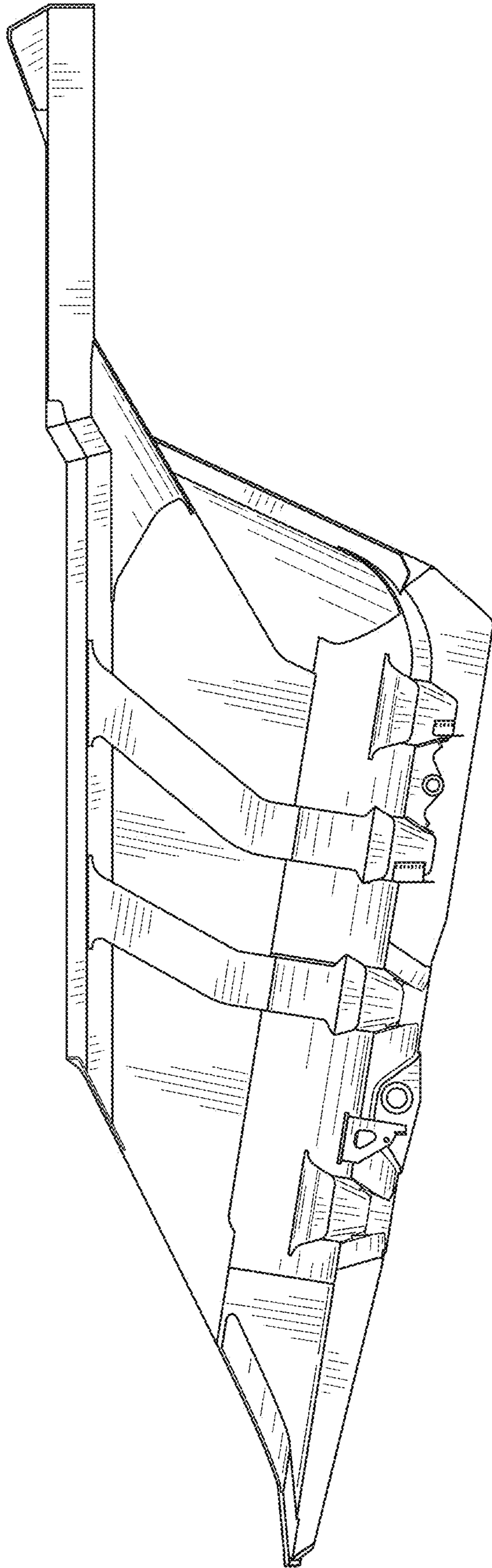


FIG. 6

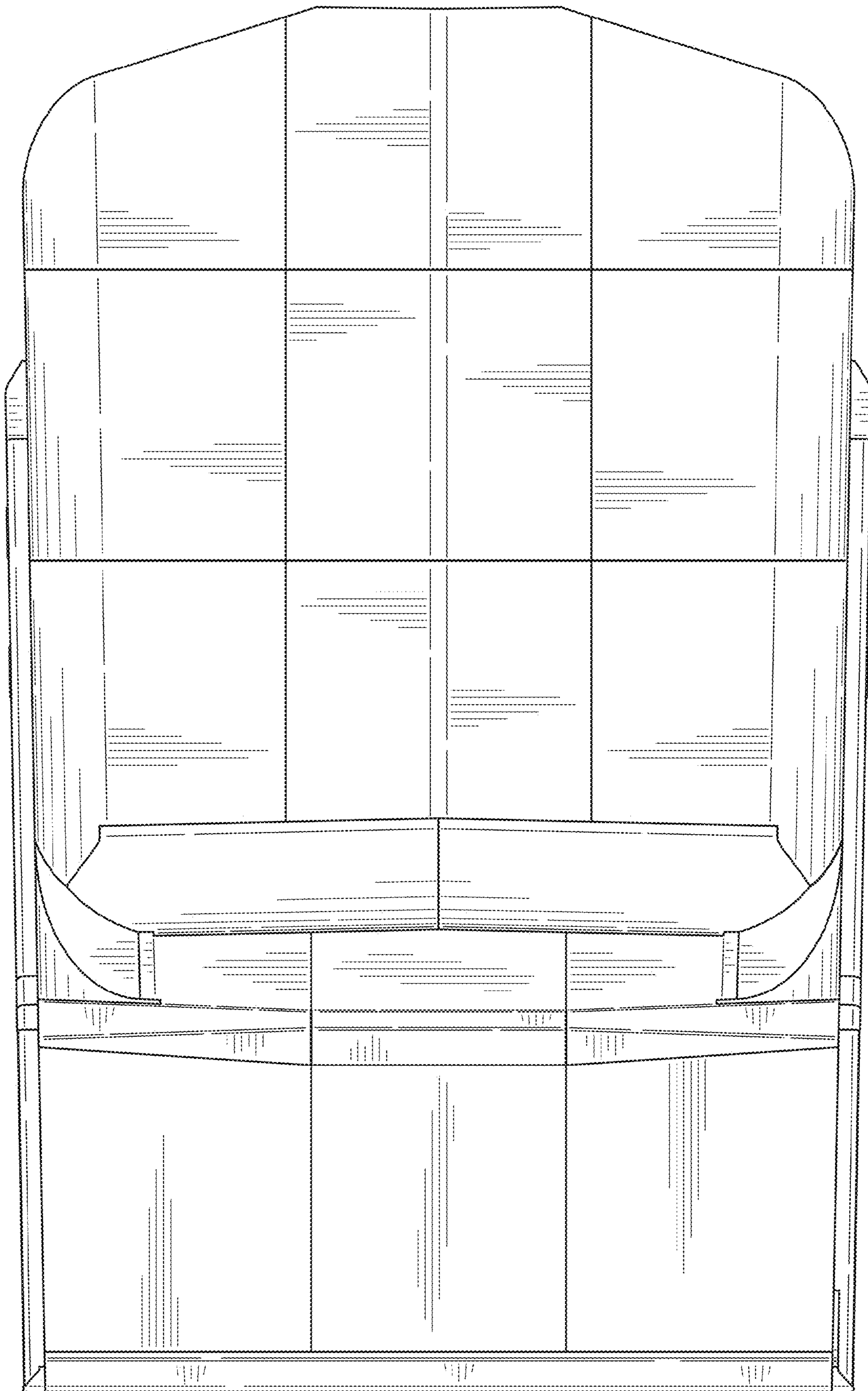


FIG. 7

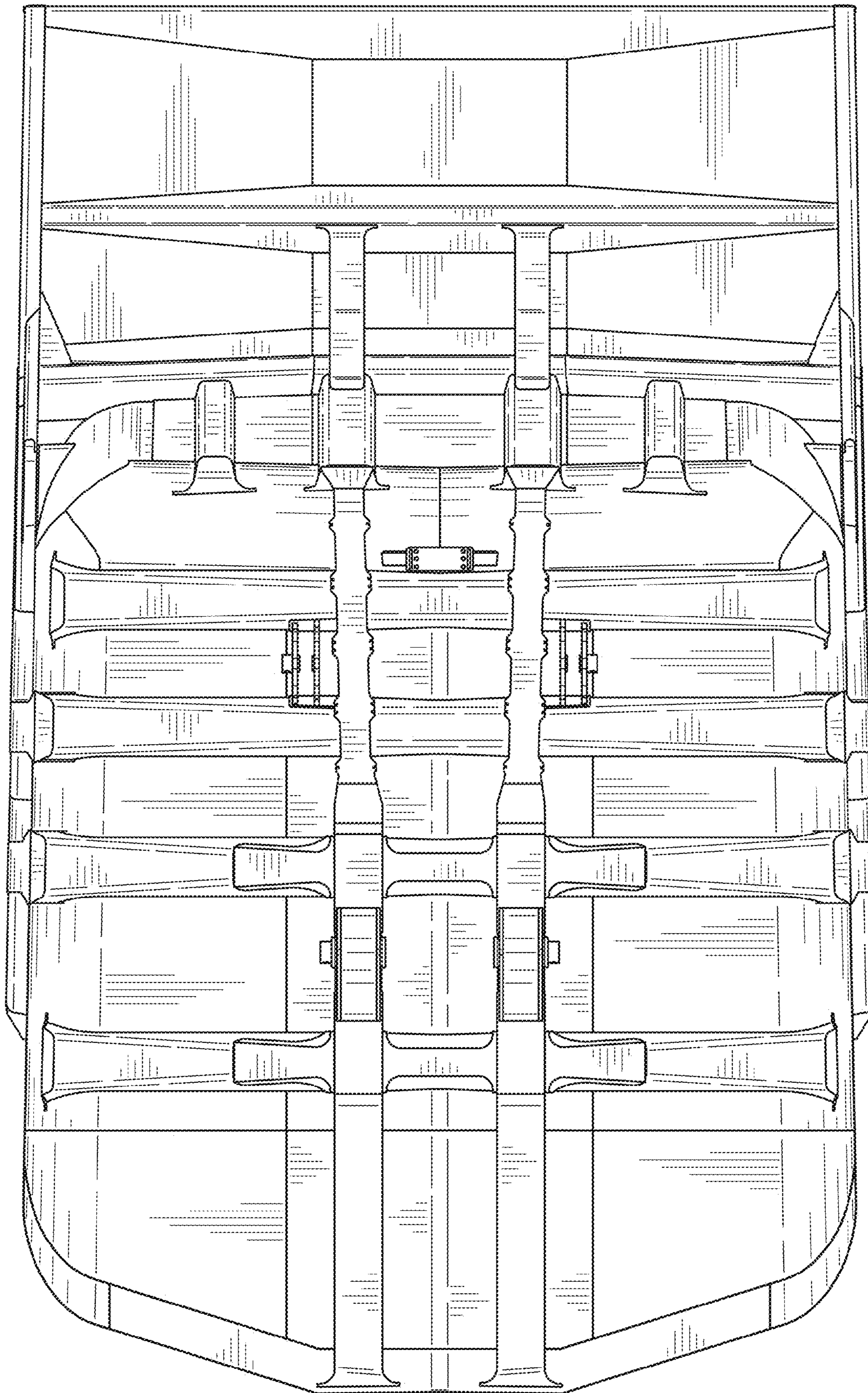


FIG. 8