



US00D909276S

(12) **United States Design Patent**
Monell

(10) **Patent No.:** **US D909,276 S**

(45) **Date of Patent:** **** Feb. 2, 2021**

(54) **EXTERIOR SURFACE CONFIGURATION
FOR FUEL TANK**

D728,632 S * 5/2015 Klassen D12/218
D728,633 S * 5/2015 Klassen D12/218

* cited by examiner

(71) Applicant: **PACCAR Inc**, Bellevue, WA (US)

Primary Examiner — Darlington Ly

(72) Inventor: **Michael Monell**, Valley View, TX (US)

(74) *Attorney, Agent, or Firm* — Seed IP Law Group
LLP; Jared M. Barrett

(73) Assignee: **PACCAR INC**, Bellevue, WA (US)

(**) Term: **15 Years**

(57) **CLAIM**

The ornamental design for an exterior surface configuration for a fuel tank, as shown and described.

(21) Appl. No.: **29/664,344**

DESCRIPTION

(22) Filed: **Sep. 24, 2018**

(51) **LOC (13) Cl.** **12-06**

(52) **U.S. Cl.**

USPC **D12/218**

(58) **Field of Classification Search**

USPC D12/110, 197, 218, 223; D9/435-454;
D15/1, 3, 5, 17, 28

CPC B60K 15/03; B60K 15/07; B62J 35/00;
B62K 11/00; B62K 11/04

See application file for complete search history.

FIG. 1 is a top perspective view of an exterior surface configuration for a fuel tank showing my new design; FIG. 2 is a bottom perspective view of the exterior surface configuration for a fuel tank shown in FIG. 1; FIG. 3 is a front view of the exterior surface configuration for a fuel tank shown in FIG. 1; FIG. 4 is a rear view of the exterior surface configuration for a fuel tank shown in FIG. 1; FIG. 5 is a right side view of the exterior surface configuration for a fuel tank shown in FIG. 1; FIG. 6 is a left side view of the exterior surface configuration for a fuel tank shown in FIG. 1; FIG. 7 is a top view of the exterior surface configuration for a fuel tank shown in FIG. 1; and, FIG. 8 is a bottom view of the exterior surface configuration for a fuel tank shown in FIG. 1.

The broken lines shown in the figures represent portions of the exterior surface configuration for a fuel tank that form no part of the claimed design.

(56) **References Cited**

U.S. PATENT DOCUMENTS

D390,183 S * 2/1998 Manwill D12/218
D588,054 S * 3/2009 Xi-Ren D12/218
D623,720 S * 9/2010 Brown D23/211.1
D644,160 S * 8/2011 Fries D12/218
D669,100 S * 10/2012 Ringer D15/28
D685,452 S * 7/2013 Turner D23/211.1
D698,302 S * 1/2014 Waymire D12/218
D702,320 S * 4/2014 Pifer D23/233
D717,721 S * 11/2014 Guaresimo D12/414

1 Claim, 8 Drawing Sheets

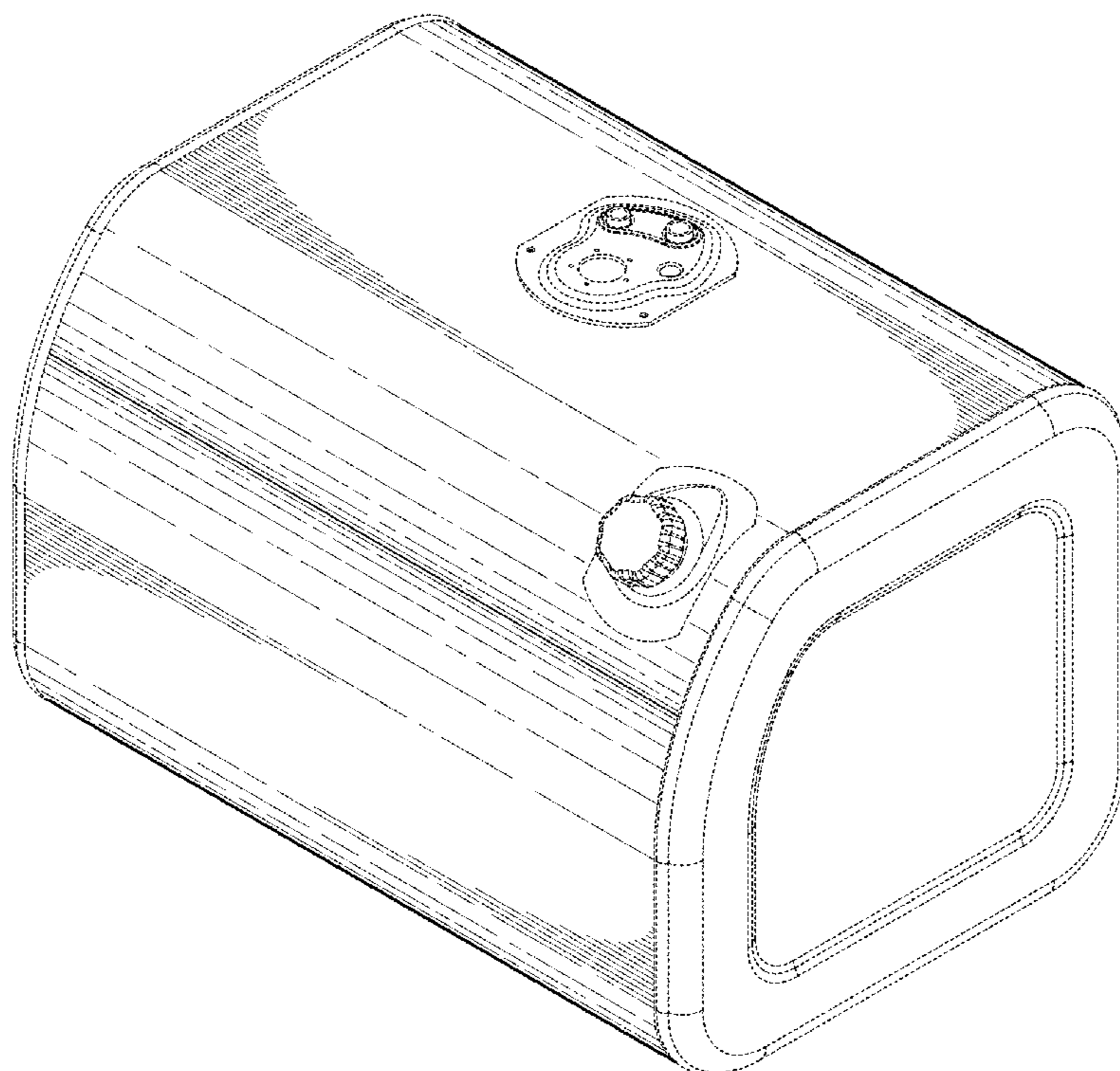
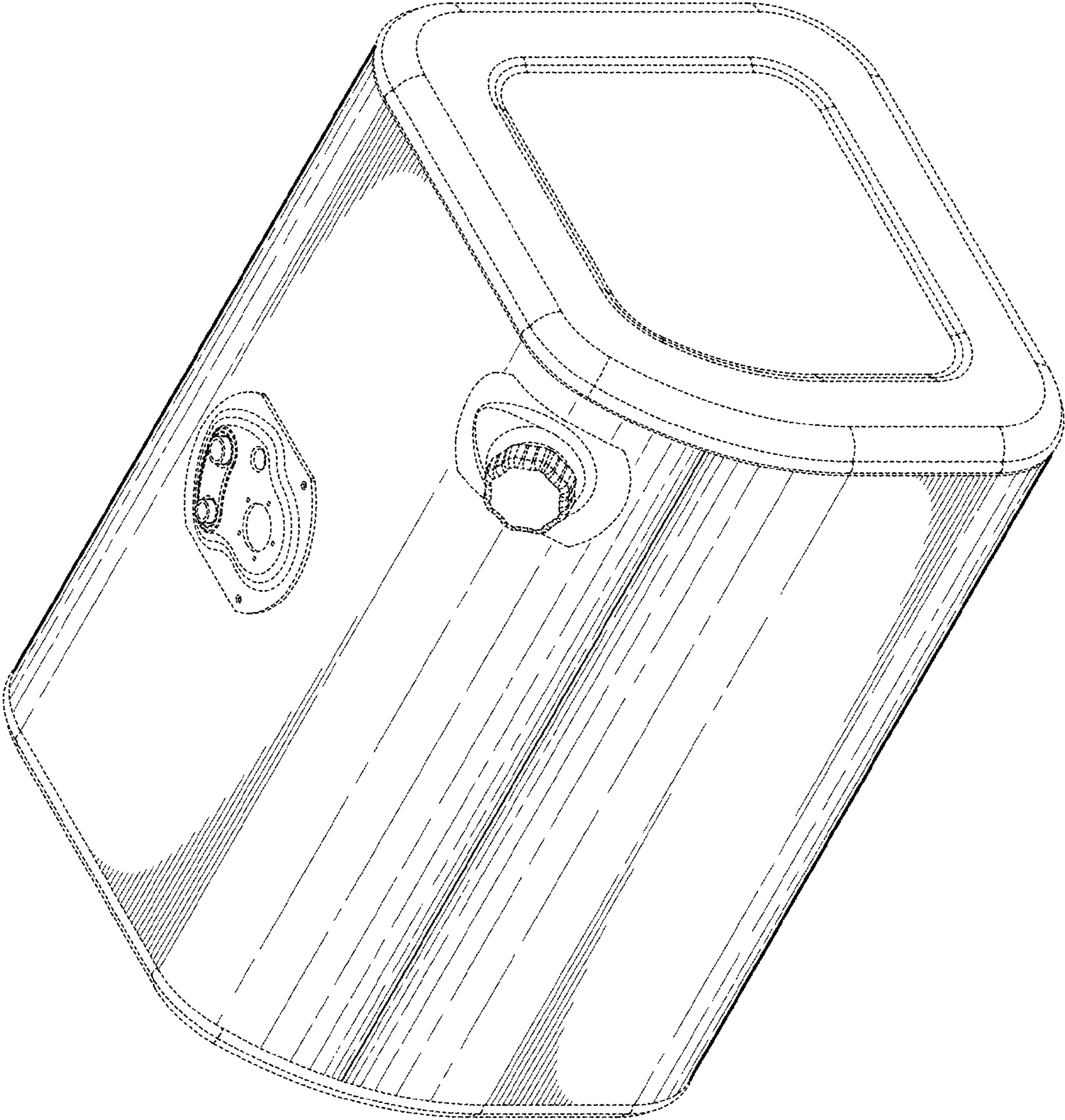


Fig. 1.



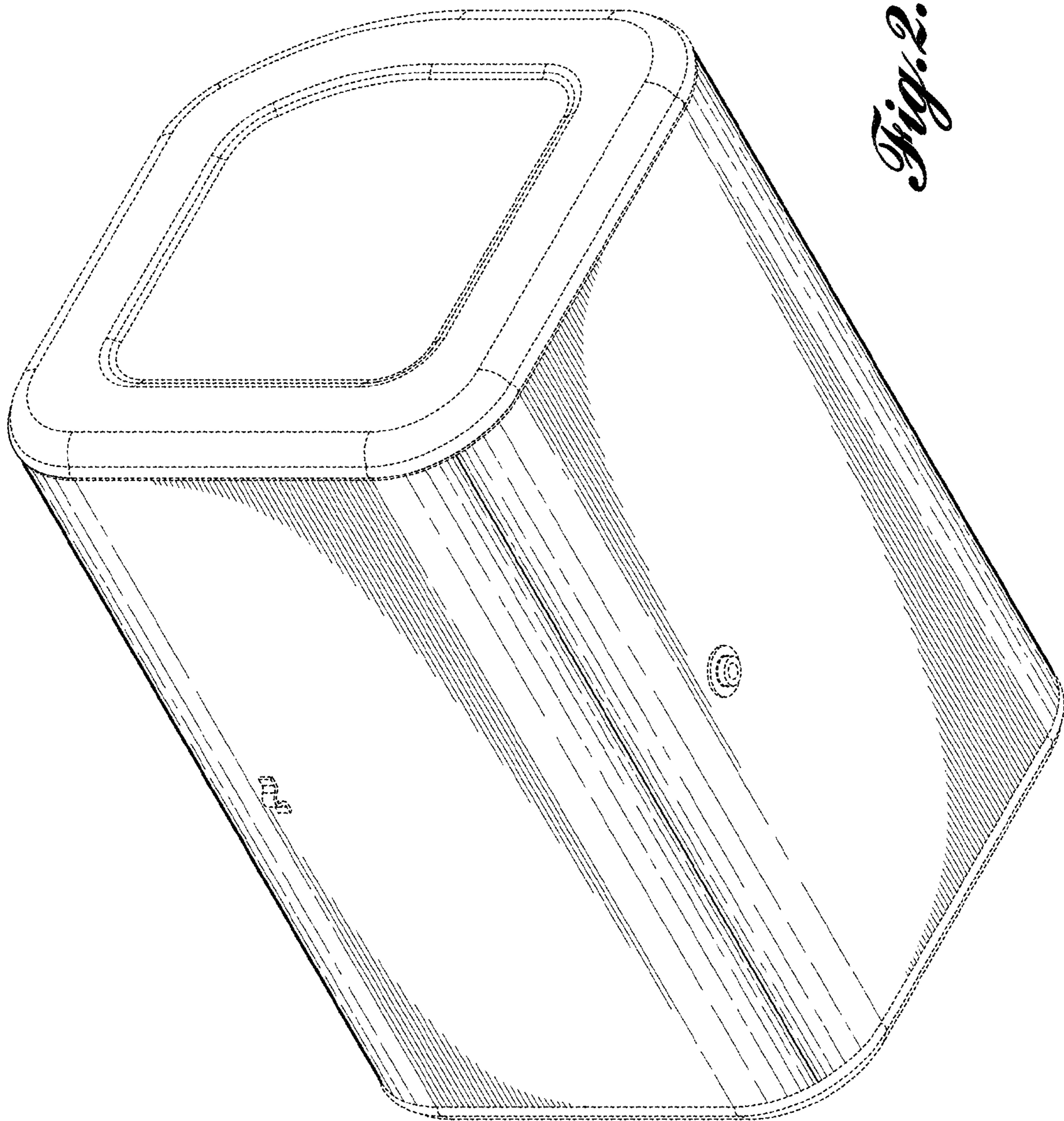


Fig. 2.

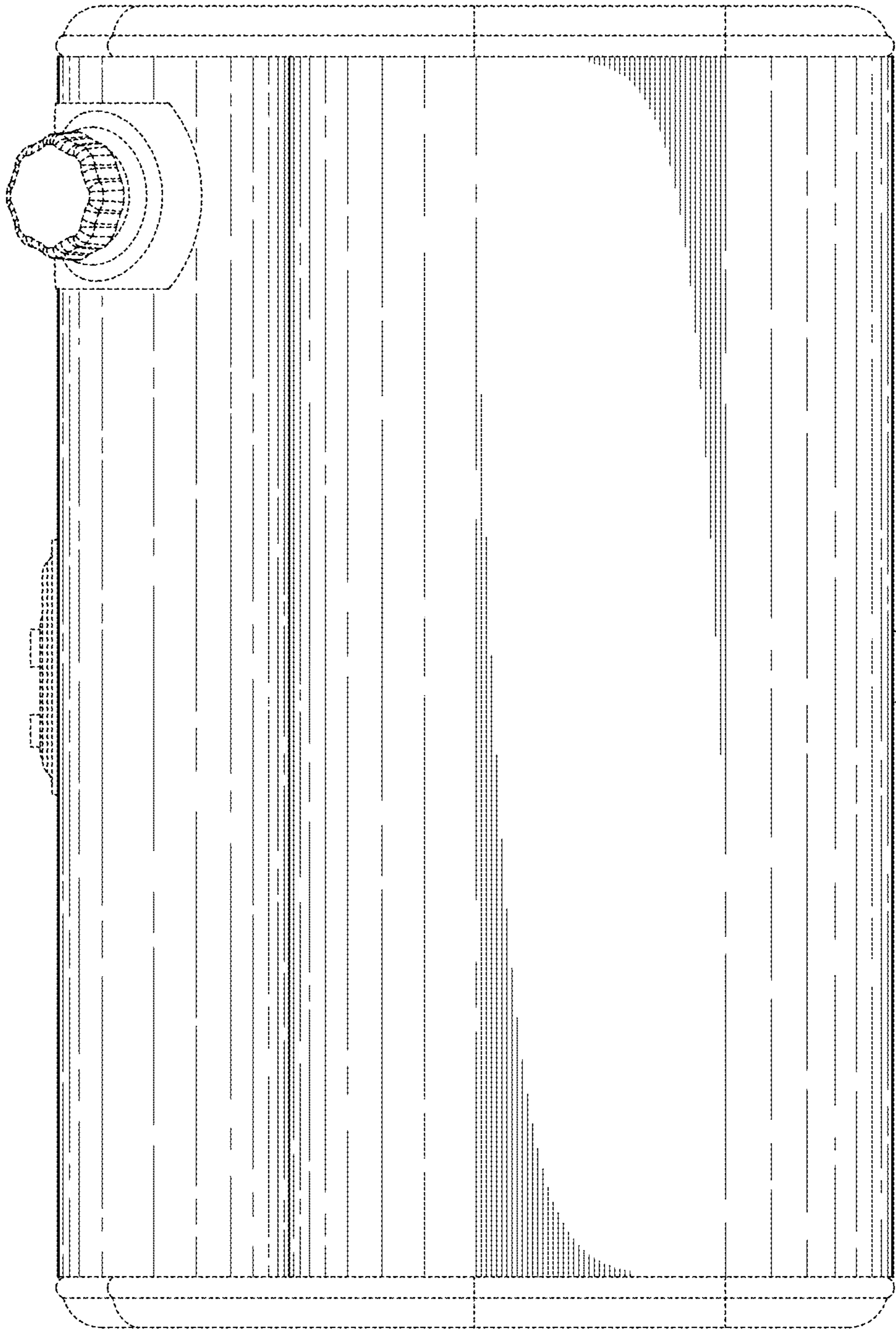


Fig. 3.

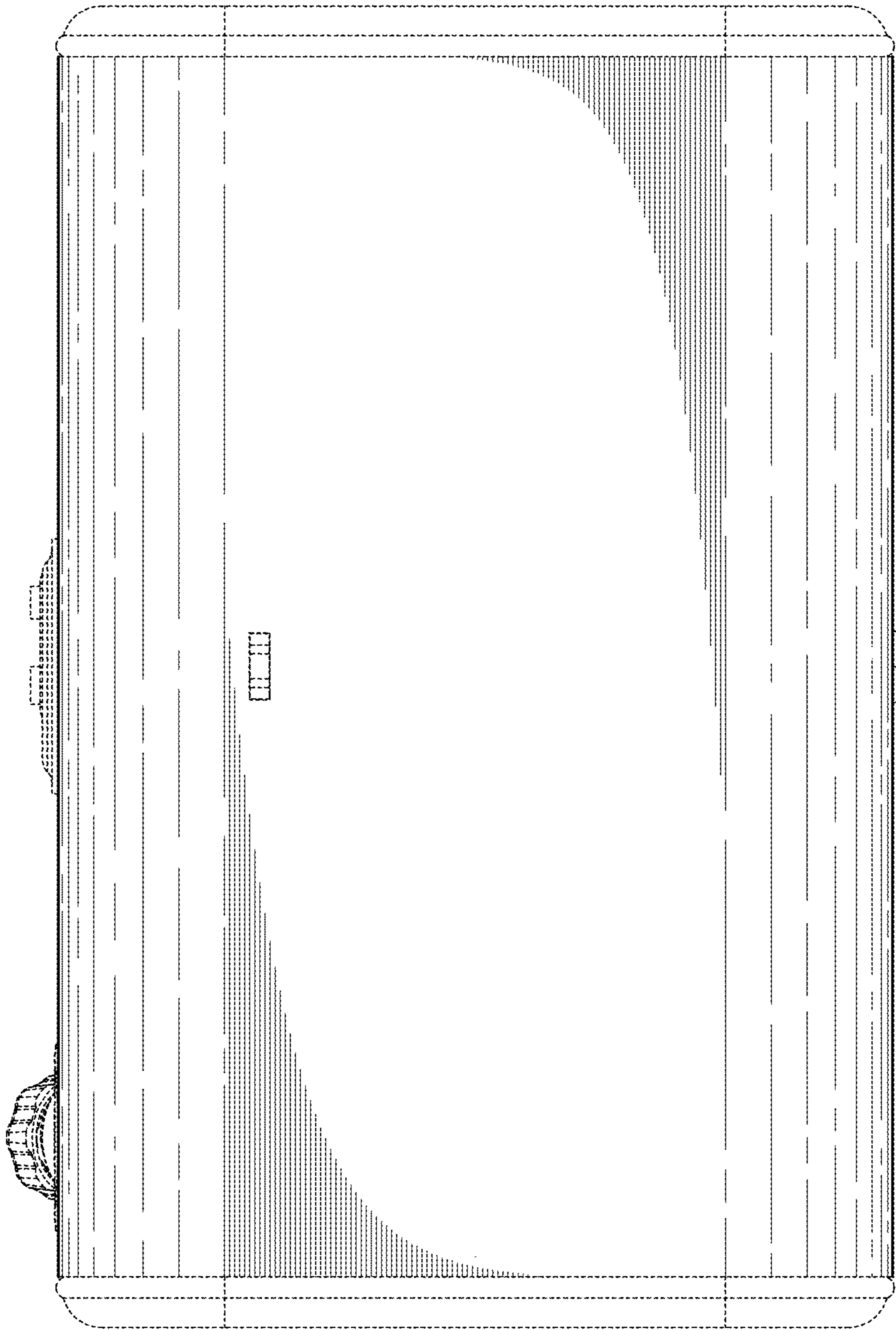


Fig. 4.

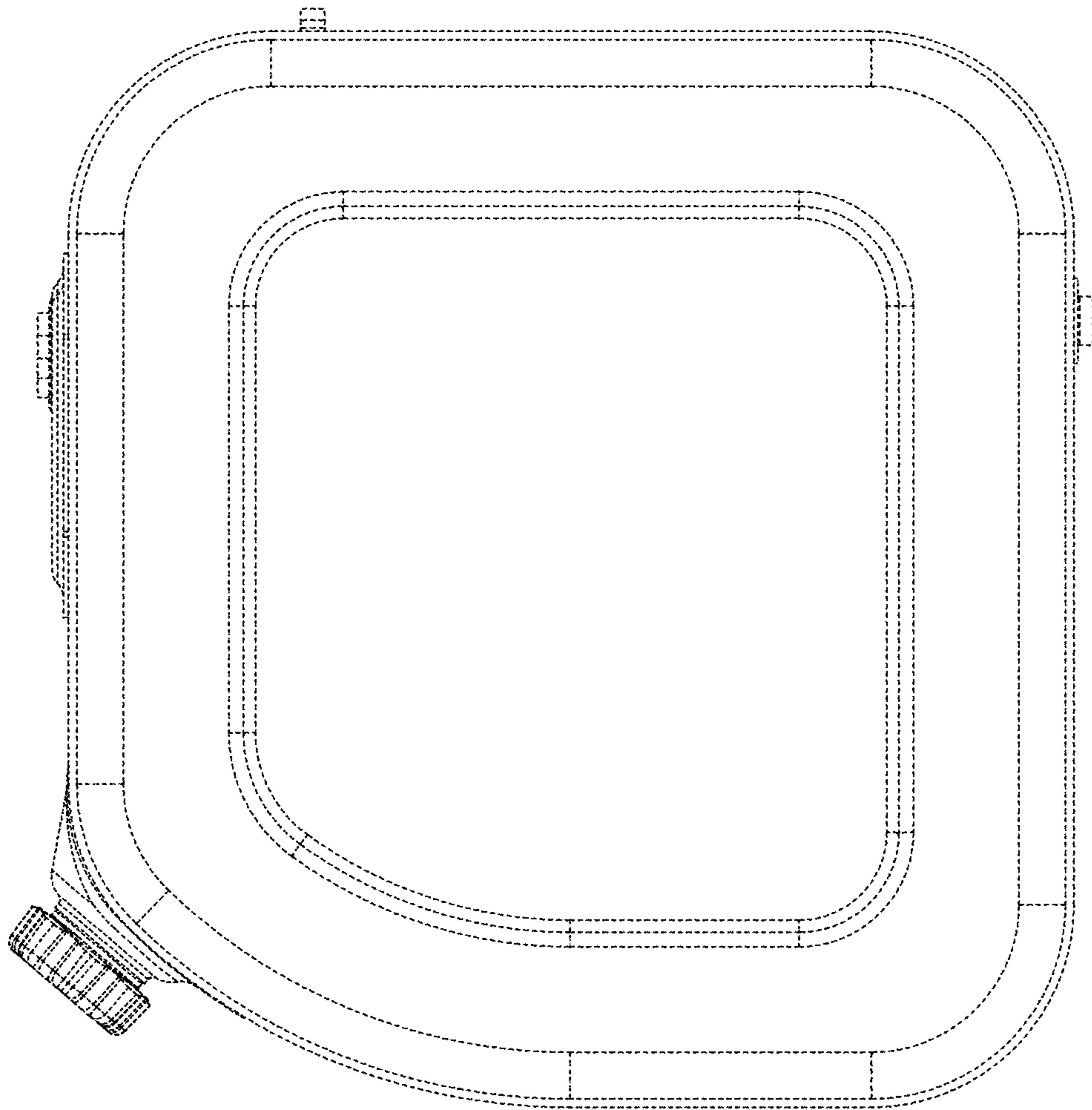


Fig. 5.

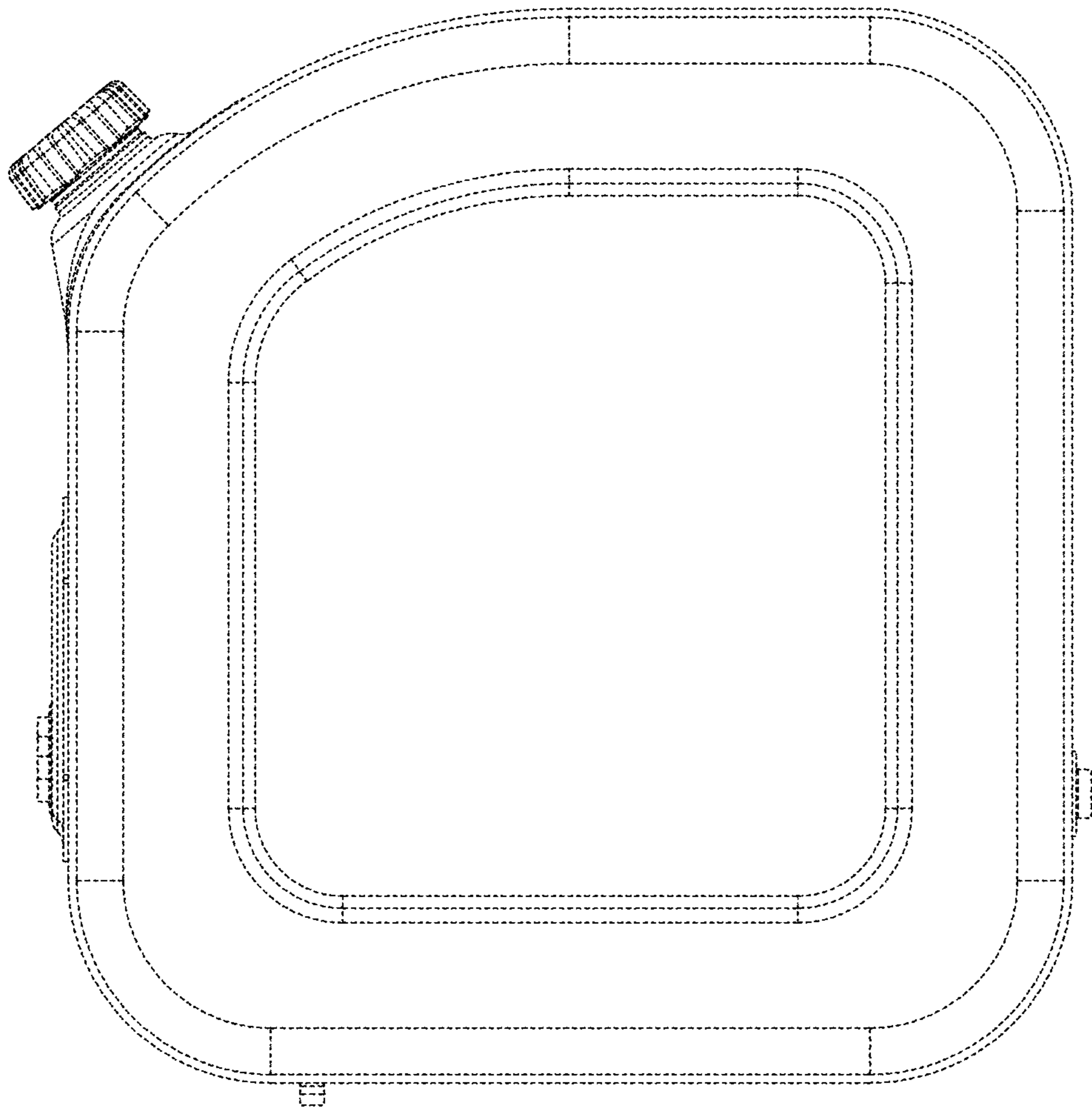


Fig. 6.

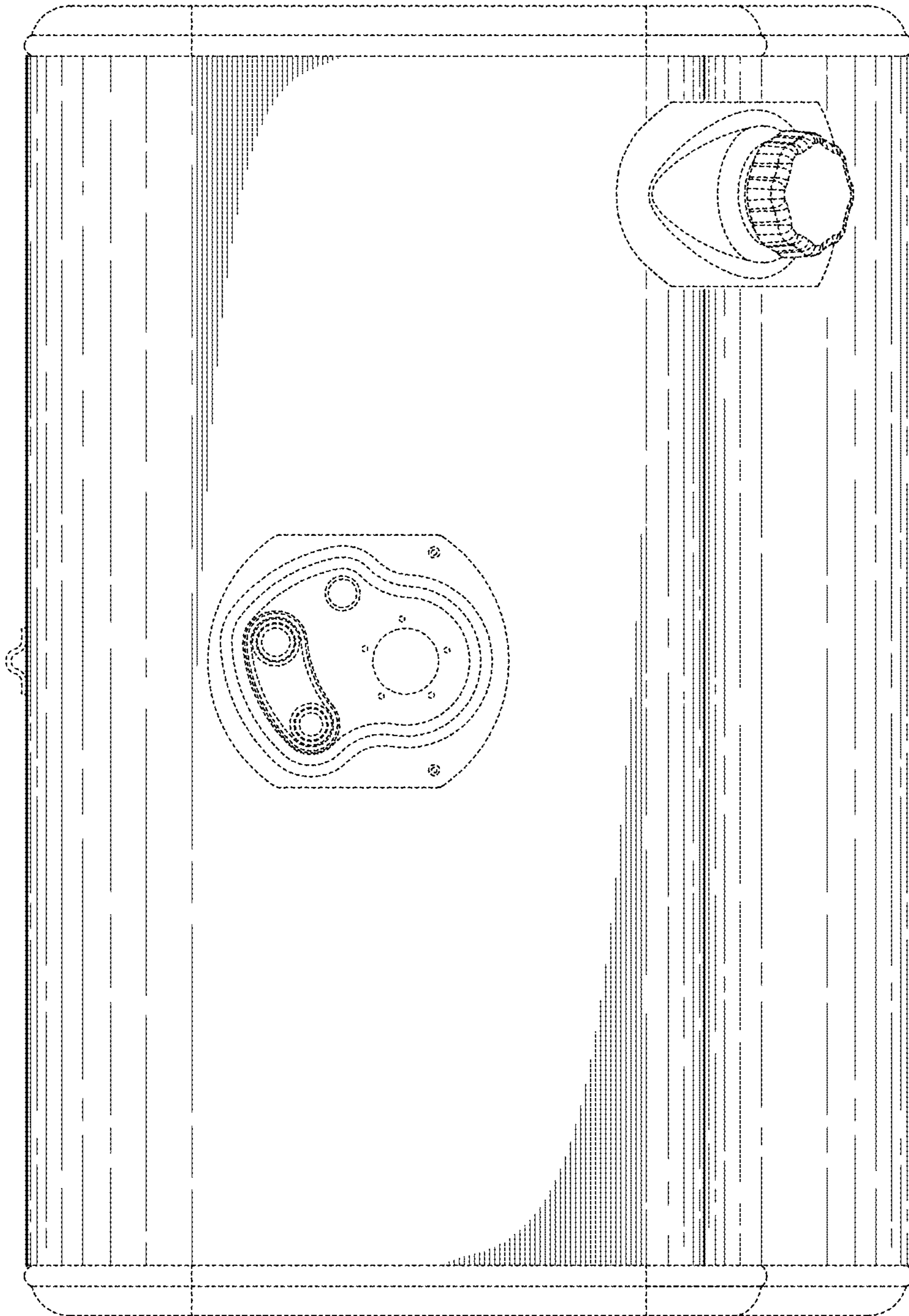


Fig. 7.

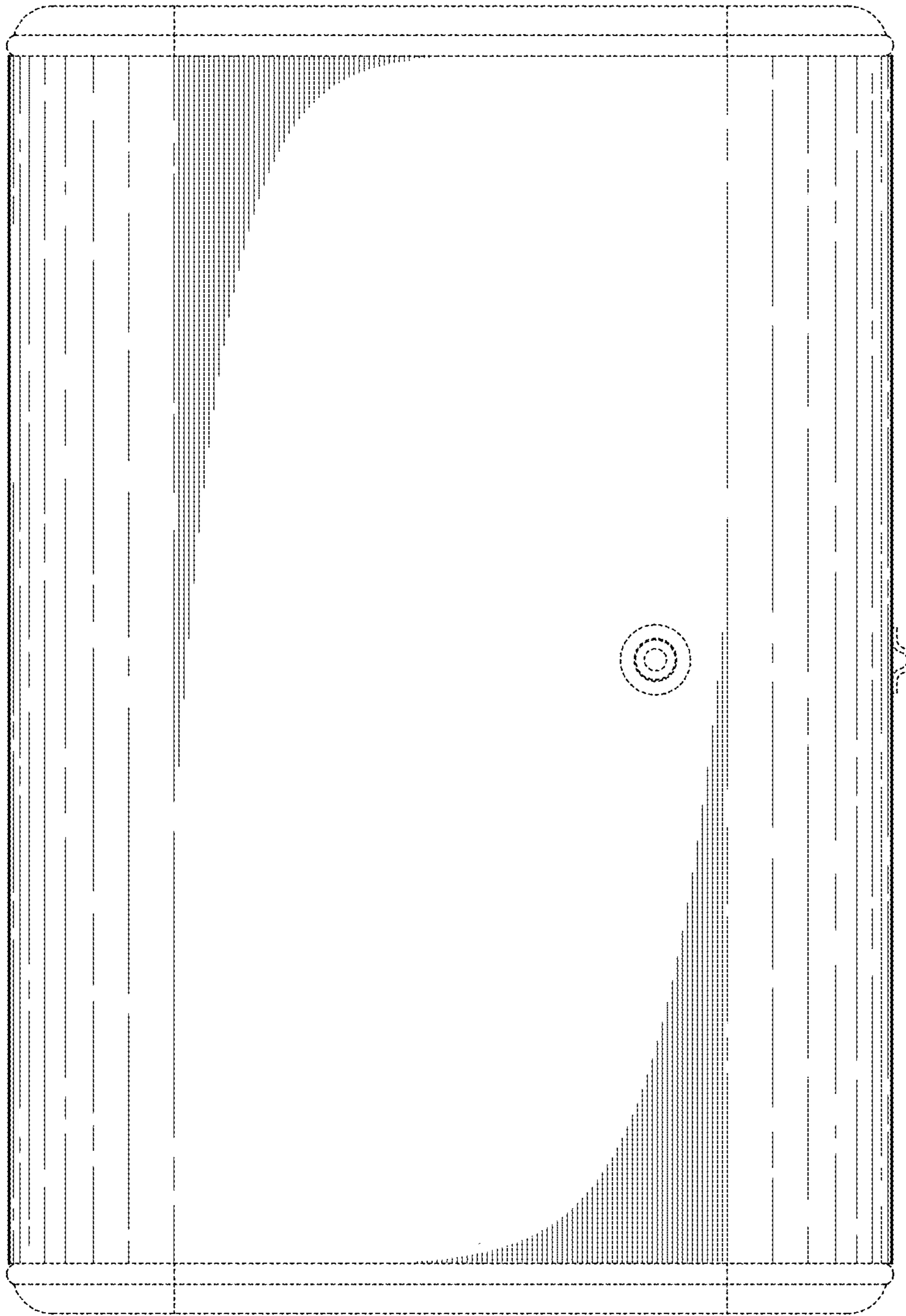


Fig. 8.