



US00D909275S

(12) **United States Design Patent**  
**Swerdloff**

(10) **Patent No.:** **US D909,275 S**

(45) **Date of Patent:** **\*\* Feb. 2, 2021**

(54) **WHEEL RIM**

(71) Applicant: **OE Wheels Distributors, LLC,**  
Sarasota, FL (US)

(72) Inventor: **Jordan Max Swerdloff,** Sarasota, FL  
(US)

(73) Assignee: **O.E. WHEEL DISTRIBUTORS,**  
**LLC,** Sarasota, FL (US)

(\*\*) Term: **15 Years**

(21) Appl. No.: **29/734,919**

(22) Filed: **May 15, 2020**

**Related U.S. Application Data**

(62) Division of application No. 35/507,229, filed on Dec. 4, 2018 (U.S. filing date under 35 U.S.C. 384), and having an international filing date of Dec. 4, 2018, now Pat. No. Des. 890,069.

(51) **LOC (13) Cl.** ..... **12-16**

(52) **U.S. Cl.**  
USPC ..... **D12/211**

(58) **Field of Classification Search**  
USPC ..... D12/204-213; D21/533, 561, 563  
CPC .... B60B 7/00; B60B 7/02; B60B 7/04; B60B 7/06; B60B 3/02; B60B 3/04; B60B 3/06; B60B 3/10; B60B 1/00; B60B 1/08; B60B 1/10; B60B 1/12  
See application file for complete search history.

(56) **References Cited**

**U.S. PATENT DOCUMENTS**

D525,932 S	*	8/2006	Hettler	.....	D12/211
D551,609 S	*	9/2007	Hettler	.....	D12/211
D584,210 S	*	1/2009	Baum	.....	D12/211
D603,779 S	*	11/2009	Futschik	.....	D12/211

D604,221 S	*	11/2009	Krisch	.....	D12/211
D604,223 S	*	11/2009	Dilber	.....	D12/211
D610,064 S	*	2/2010	Dilber	.....	D12/211
D617,709 S	*	6/2010	Borkert	.....	D12/209
D619,952 S	*	7/2010	Juergens	.....	D12/211
D656,078 S	*	3/2012	Hans	.....	D12/211
D659,069 S	*	5/2012	Johnson	.....	D12/211
D676,795 S	*	2/2013	Wachter	.....	D12/211
D704,118 S	*	5/2014	Chung	.....	D12/209
D709,019 S	*	7/2014	Hale, Jr.	.....	D12/211
D714,208 S	*	9/2014	Chung	.....	D12/211
D716,713 S	*	11/2014	Hale, Jr.	.....	D12/211
D717,710 S	*	11/2014	Chung	.....	D12/211
D722,938 S	*	2/2015	Chung	.....	D12/211
D743,316 S	*	11/2015	Zhao	.....	D12/211
D749,031 S	*	2/2016	Zhao	.....	D12/211
D751,488 S	*	3/2016	Zhao	.....	D12/211
D753,047 S	*	4/2016	Alfonso	.....	D12/211
D755,101 S	*	5/2016	Gallert	.....	D12/211
D756,285 S	*	5/2016	Zhao	.....	D12/211
D756,286 S	*	5/2016	Zhao	.....	D12/211
D756,881 S	*	5/2016	Zhao	.....	D12/211
D814,378 S	*	4/2018	Mielke	.....	D12/209

(Continued)

*Primary Examiner* — Sheryl Lane

*Assistant Examiner* — Calvin E Vansant

(74) *Attorney, Agent, or Firm* — Shumaker, Loop & Kendrick, LLP

(57) **CLAIM**

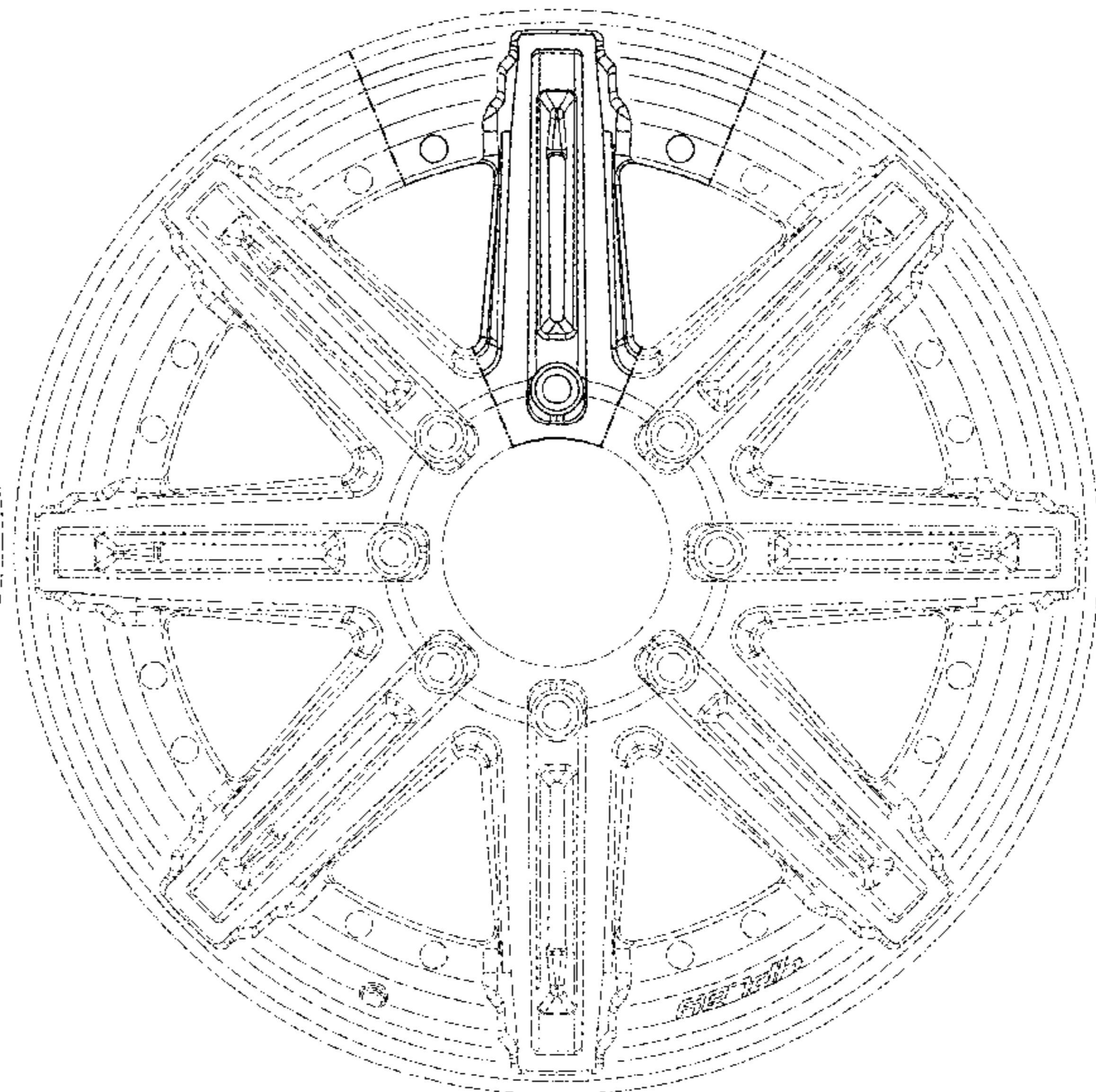
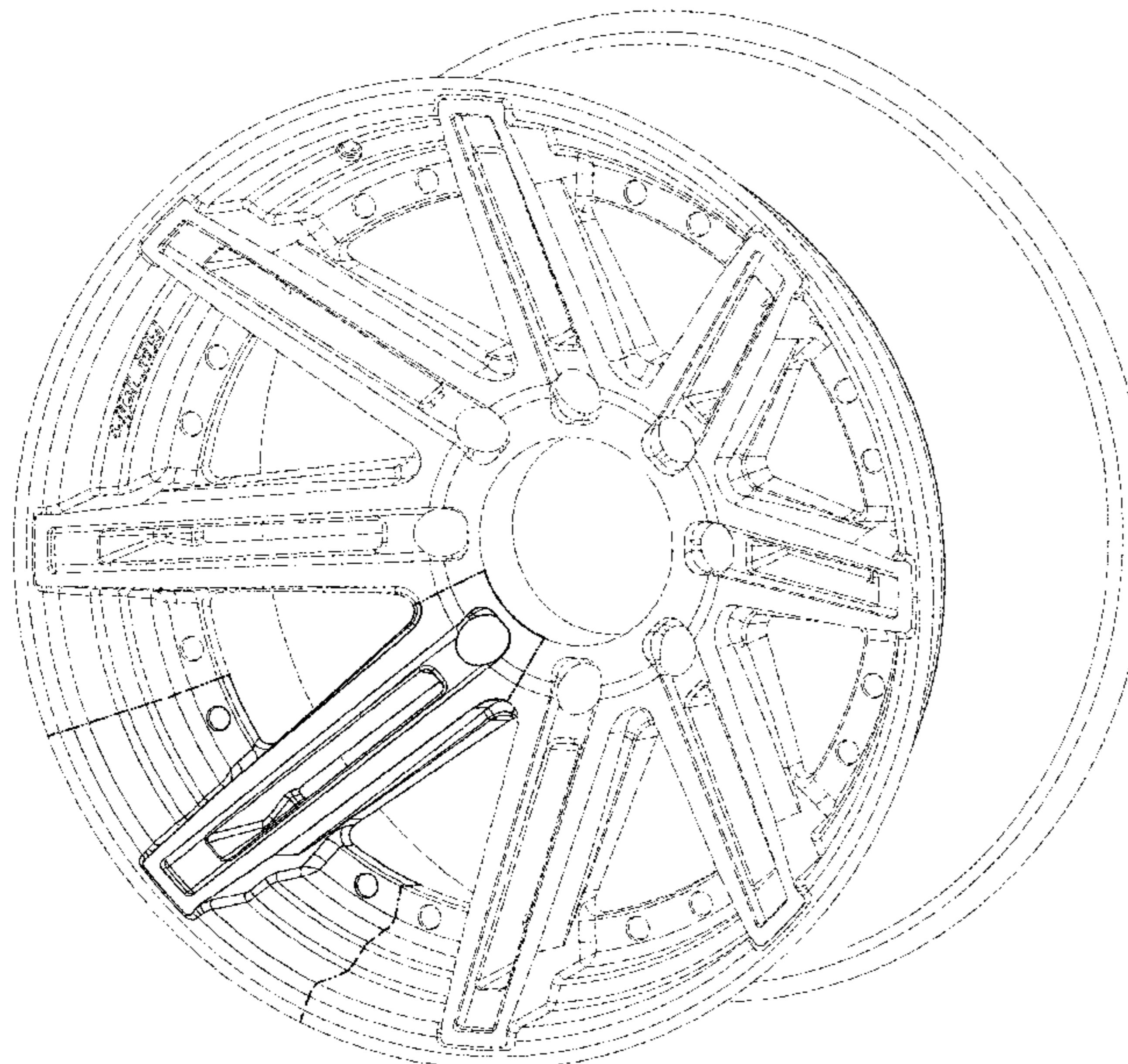
The ornamental design of a wheel rim, as shown and described.

**DESCRIPTION**

FIG. 1 is a perspective view of the wheel rim features; and, FIG. 2 is a front view of the wheel rim features.

In the drawings, the dashed broken lines represent portions of the wheel rim that form no part of the claimed design. The dot-dash lines represent boundaries of the claim and form no part of the claimed design.

**1 Claim, 2 Drawing Sheets**



(56)

**References Cited**

U.S. PATENT DOCUMENTS

D818,413	S	*	5/2018	Badstuebner	.....	D12/211
D821,282	S	*	6/2018	Gallert	.....	D12/209
D827,541	S	*	9/2018	Bucher	.....	D12/209
D830,932	S	*	10/2018	Zhao	.....	D12/209
D834,489	S	*	11/2018	Sempek	.....	D12/211
D840,892	S	*	2/2019	Chung	.....	D12/209
D840,898	S	*	2/2019	Wittinger	.....	D12/209
D842,196	S	*	3/2019	Han	.....	D12/209
D847,721	S	*	5/2019	Chung	.....	D12/211
D865,609	S	*	11/2019	Yeh	.....	D12/209
D865,611	S	*	11/2019	Interrante	.....	D12/209
D867,960	S	*	11/2019	Aslam	.....	D12/209
D887,942	S	*	6/2020	Han	.....	D12/209

\* cited by examiner

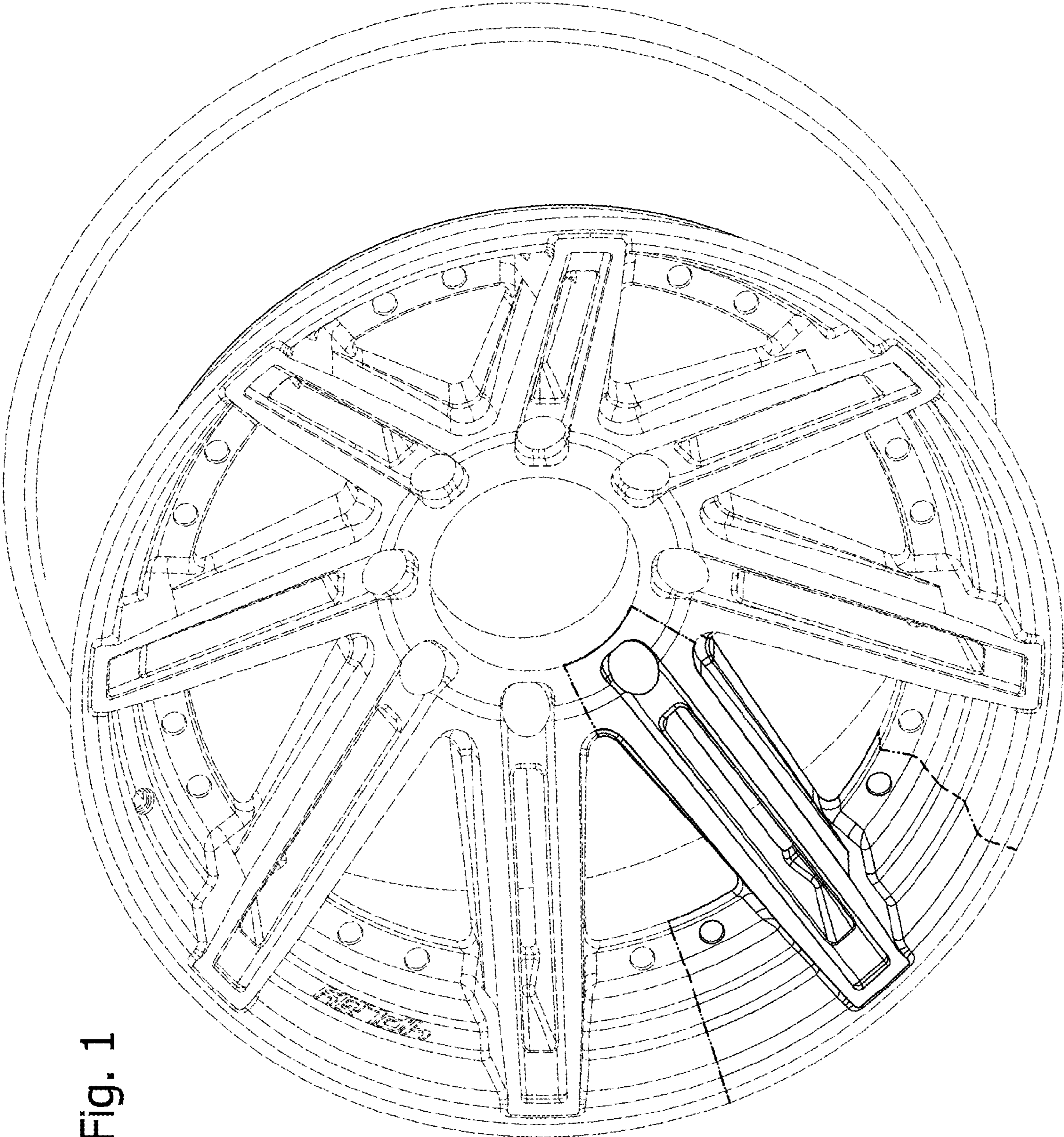


Fig. 1

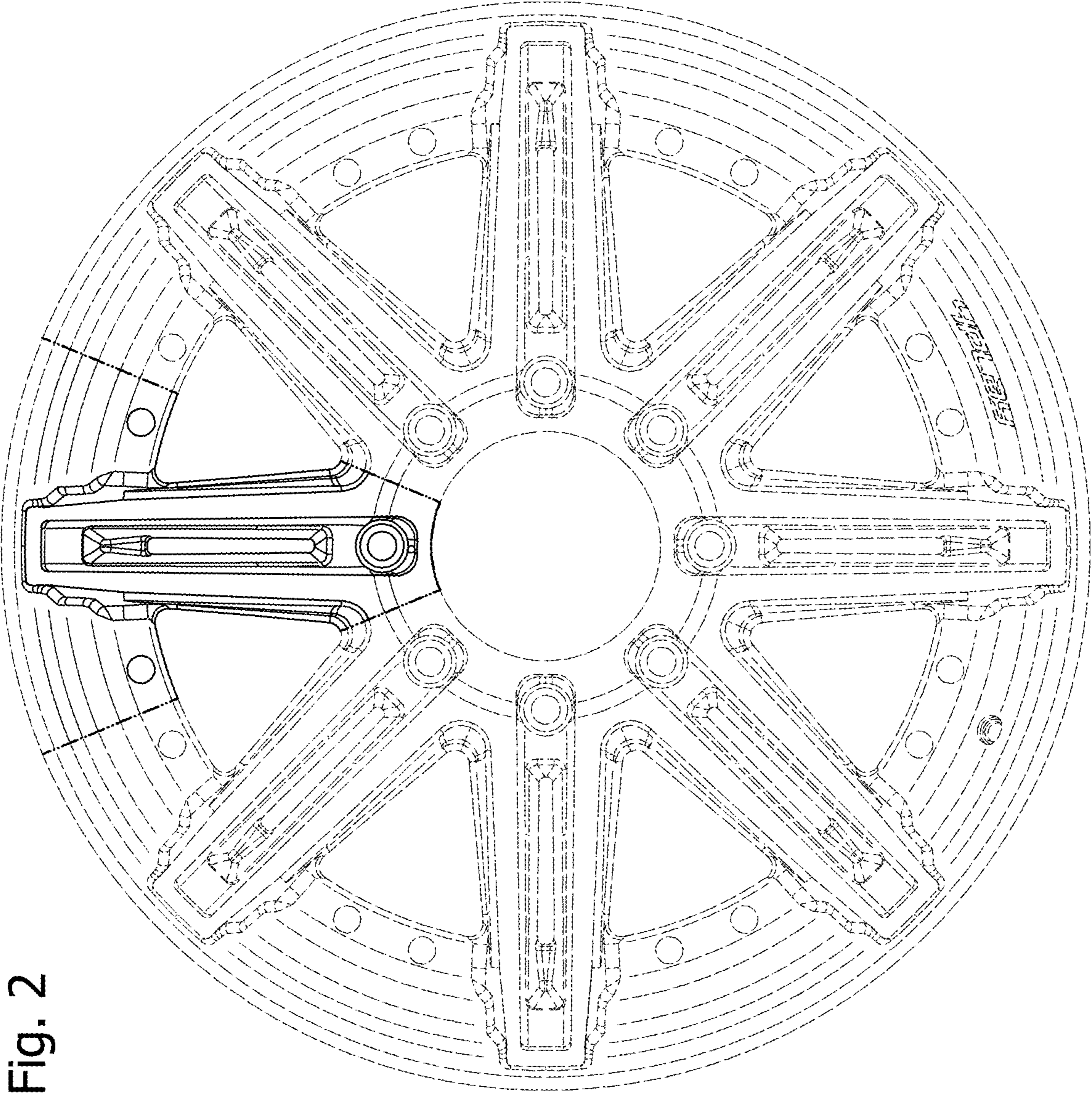


Fig. 2